



US00D629538S

(12) **United States Design Patent**
Nagano

(10) **Patent No.:** **US D629,538 S**

(45) **Date of Patent:** **** Dec. 21, 2010**

(54) **HEADLAMP FOR BICYCLES**

D541,447 S * 4/2007 Ueda et al. D26/28
D560,833 S * 1/2008 Ueda et al. D26/28
D560,834 S * 1/2008 Nagano D26/28

(75) Inventor: **Toshiyuki Nagano**, Osaka (JP)

* cited by examiner

(73) Assignee: **CatEye Co., Ltd.**, Osaka (JP)

Primary Examiner—Marcus A Jackson

(**) Term: **14 Years**

(74) *Attorney, Agent, or Firm*—Olson & Cepuritis, Ltd.

(21) Appl. No.: **29/349,295**

(57) **CLAIM**

(22) Filed: **Mar. 23, 2010**

The ornamental design for a headlamp for bicycles, as shown.

(30) **Foreign Application Priority Data**

DESCRIPTION

Oct. 8, 2009 (EM) 001172886-0001

FIG. 1 is a perspective view of a headlamp for bicycles showing my new design;

(51) **LOC (9) Cl.** **26-06**

FIG. 2 is a front view thereof;

(52) **U.S. Cl.** **D26/28**

FIG. 3 is a rear view thereof;

(58) **Field of Classification Search** D26/28-36;

FIG. 4 is a top plan view thereof;

362/459-468, 475-478, 485-487

FIG. 5 is a bottom plan view thereof;

See application file for complete search history.

FIG. 6 is a right side view thereof; and,

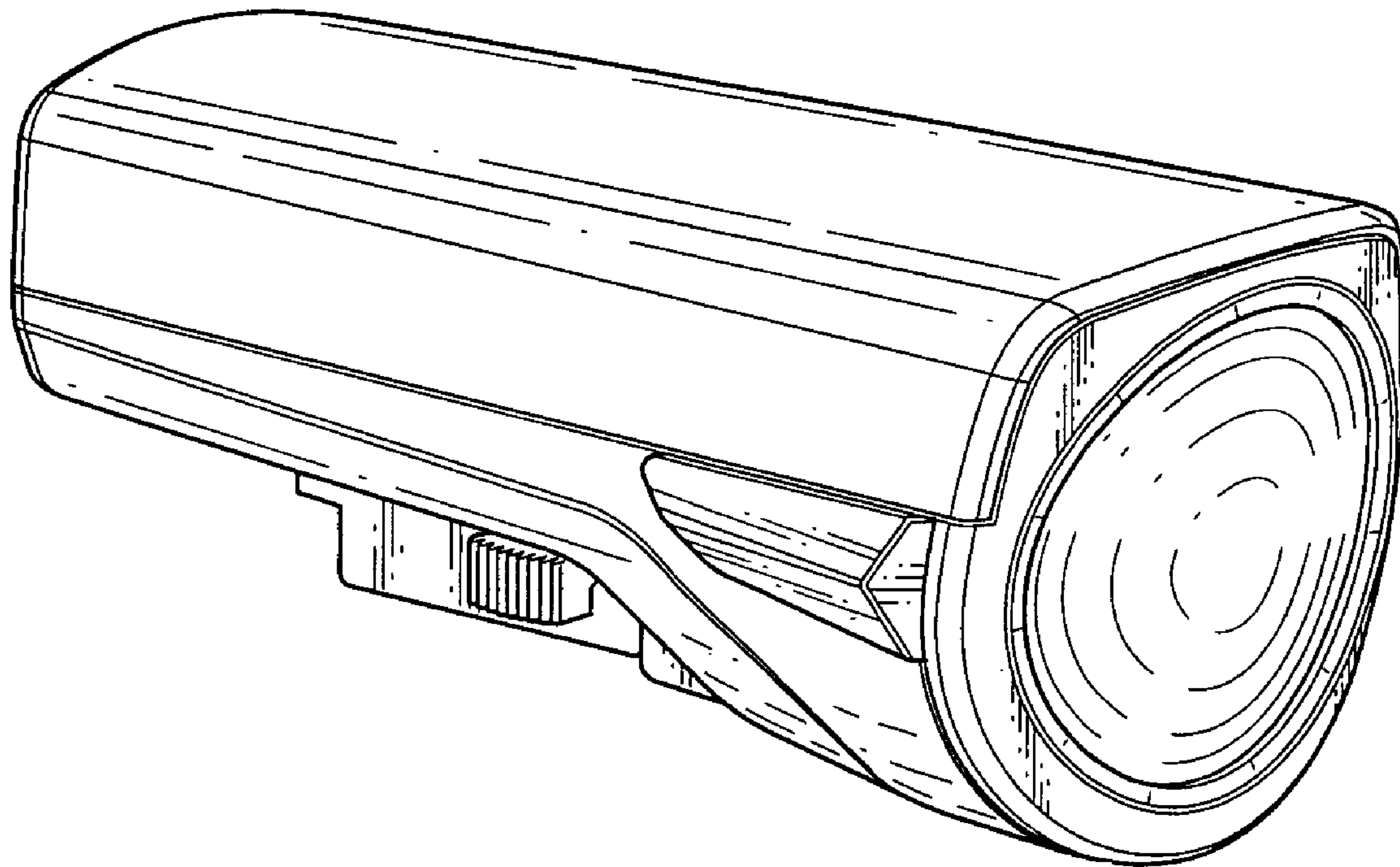
(56) **References Cited**

FIG. 7 is a left side view thereof.

U.S. PATENT DOCUMENTS

D540,966 S * 4/2007 Ueda et al. D26/28

1 Claim, 4 Drawing Sheets



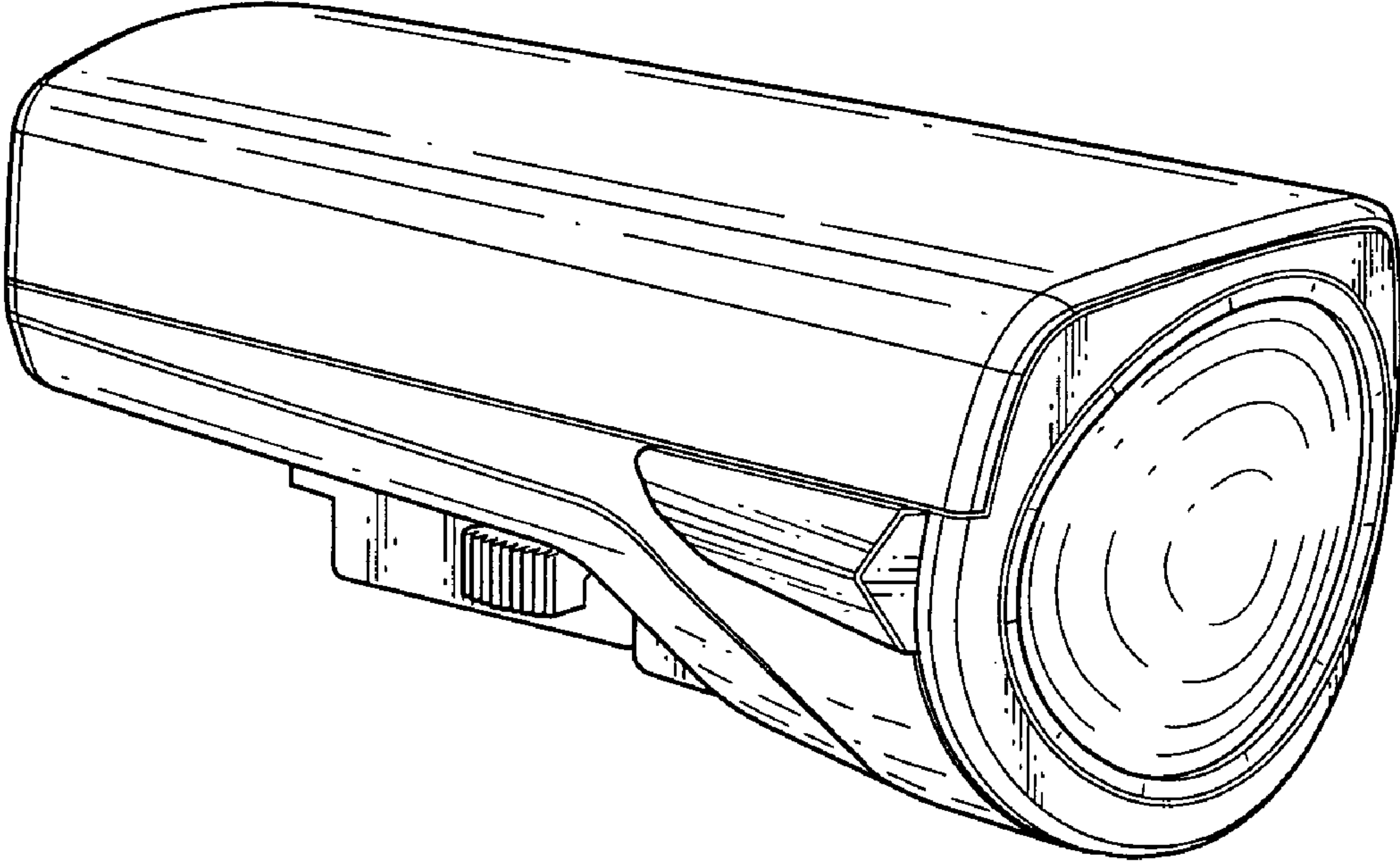


Fig. 1

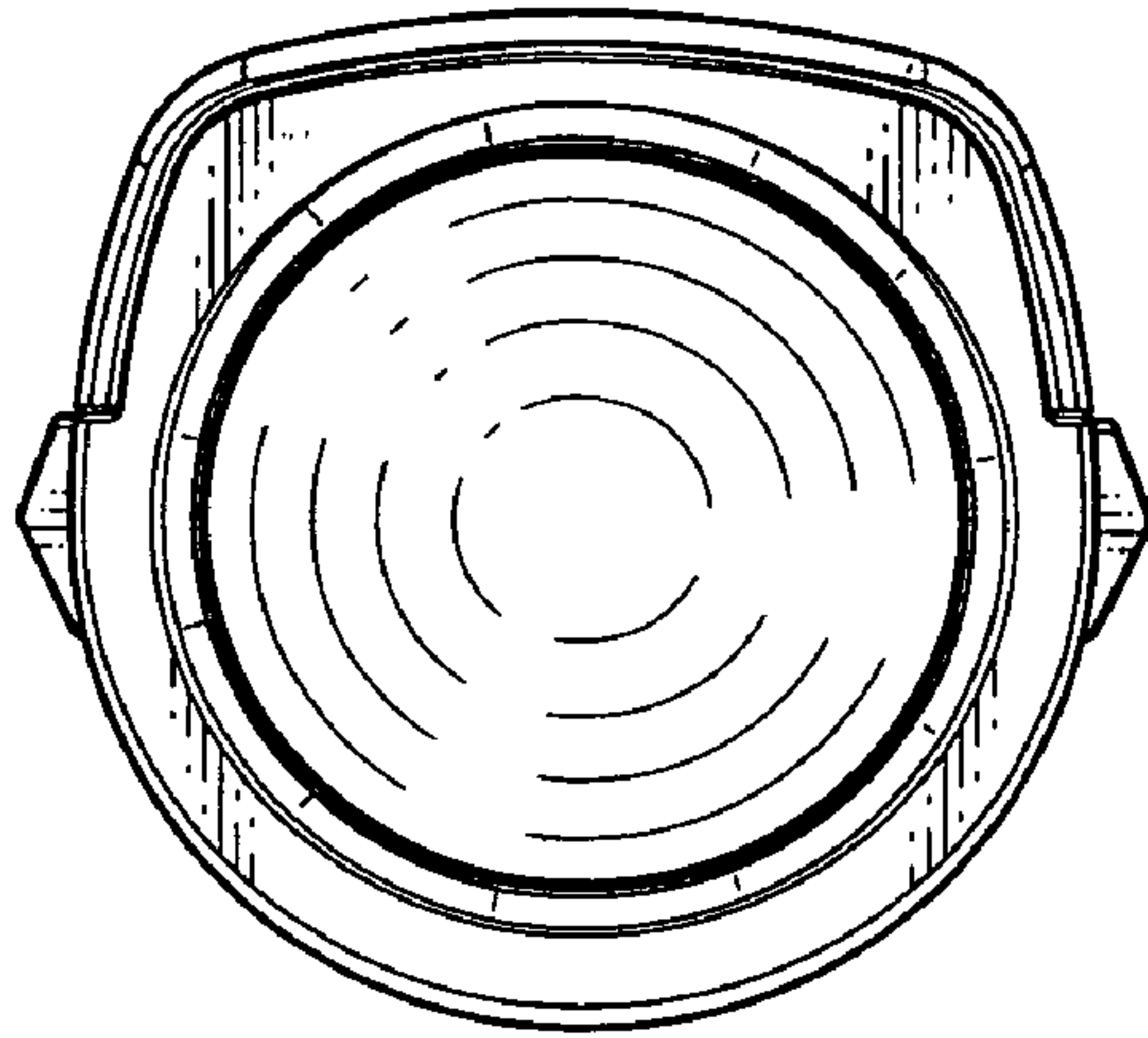


Fig. 2

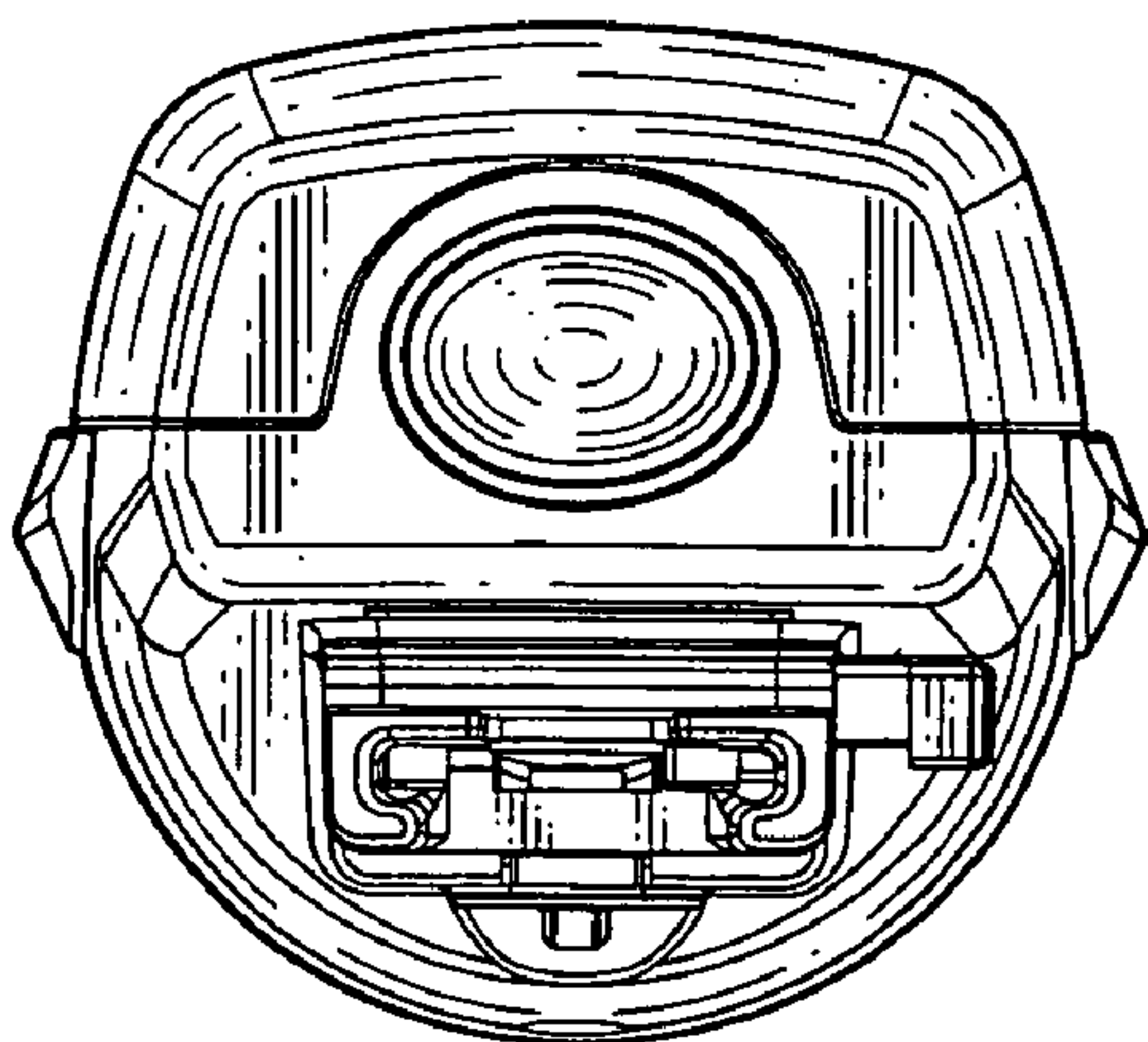


Fig. 3

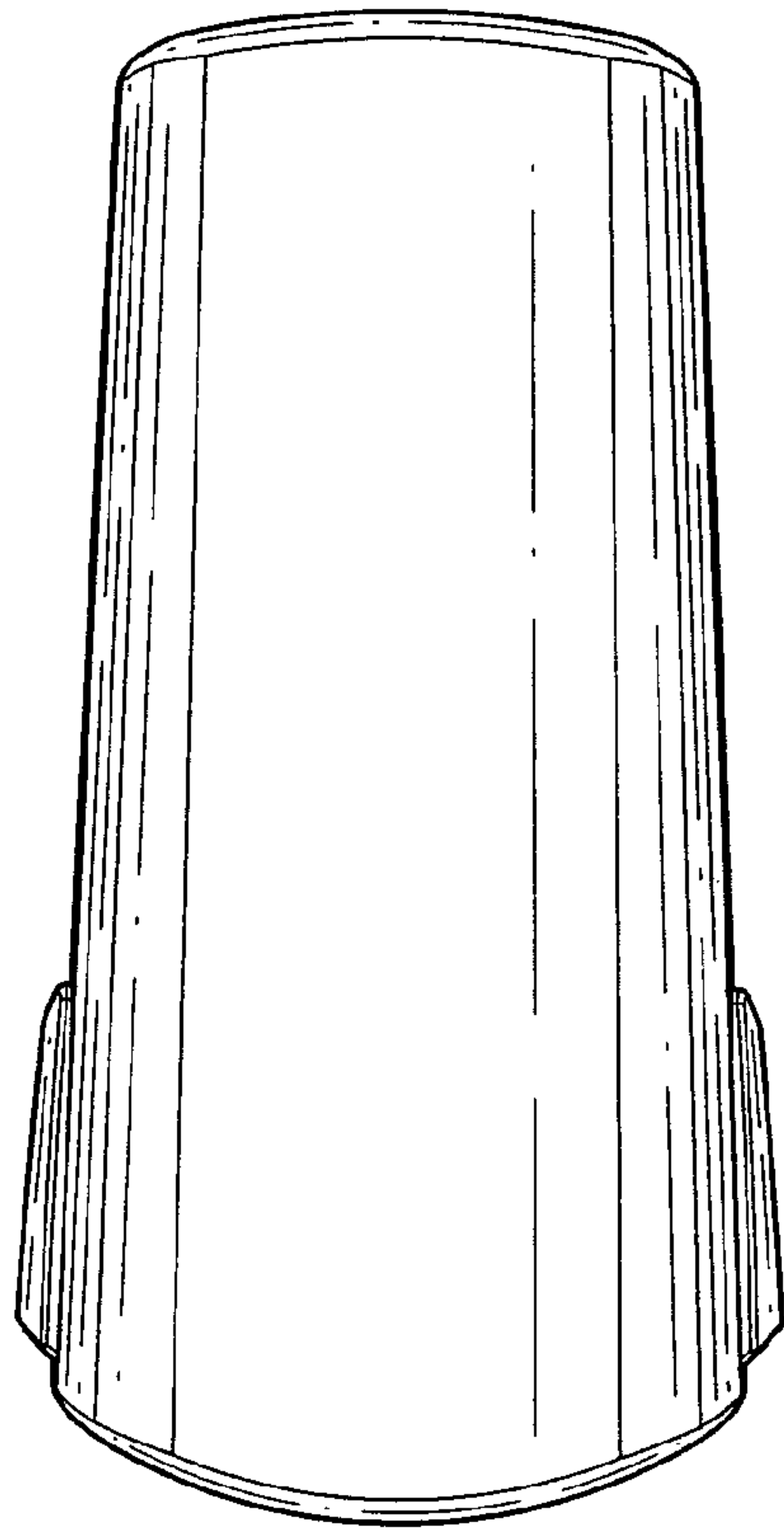


Fig. 4

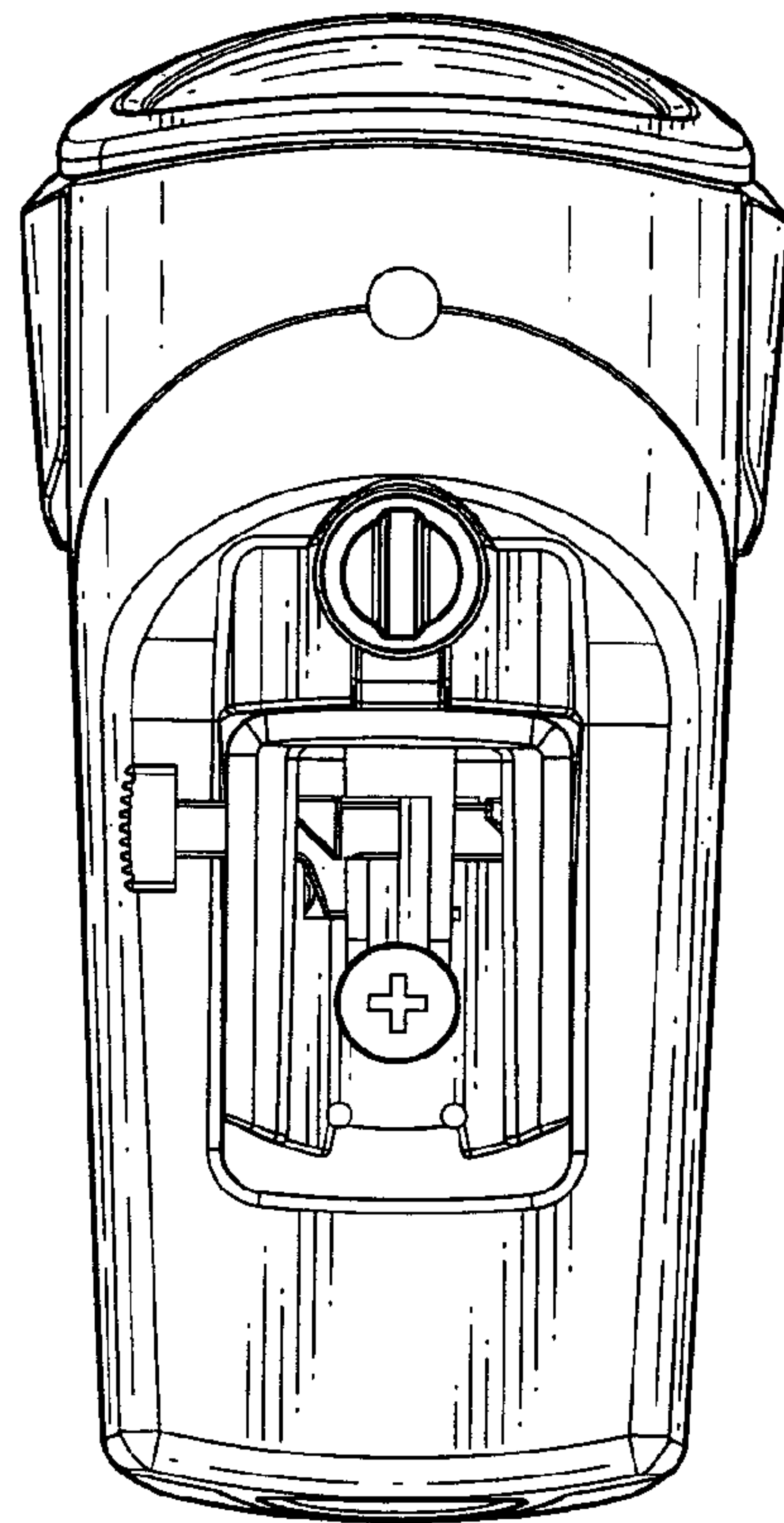


Fig. 5

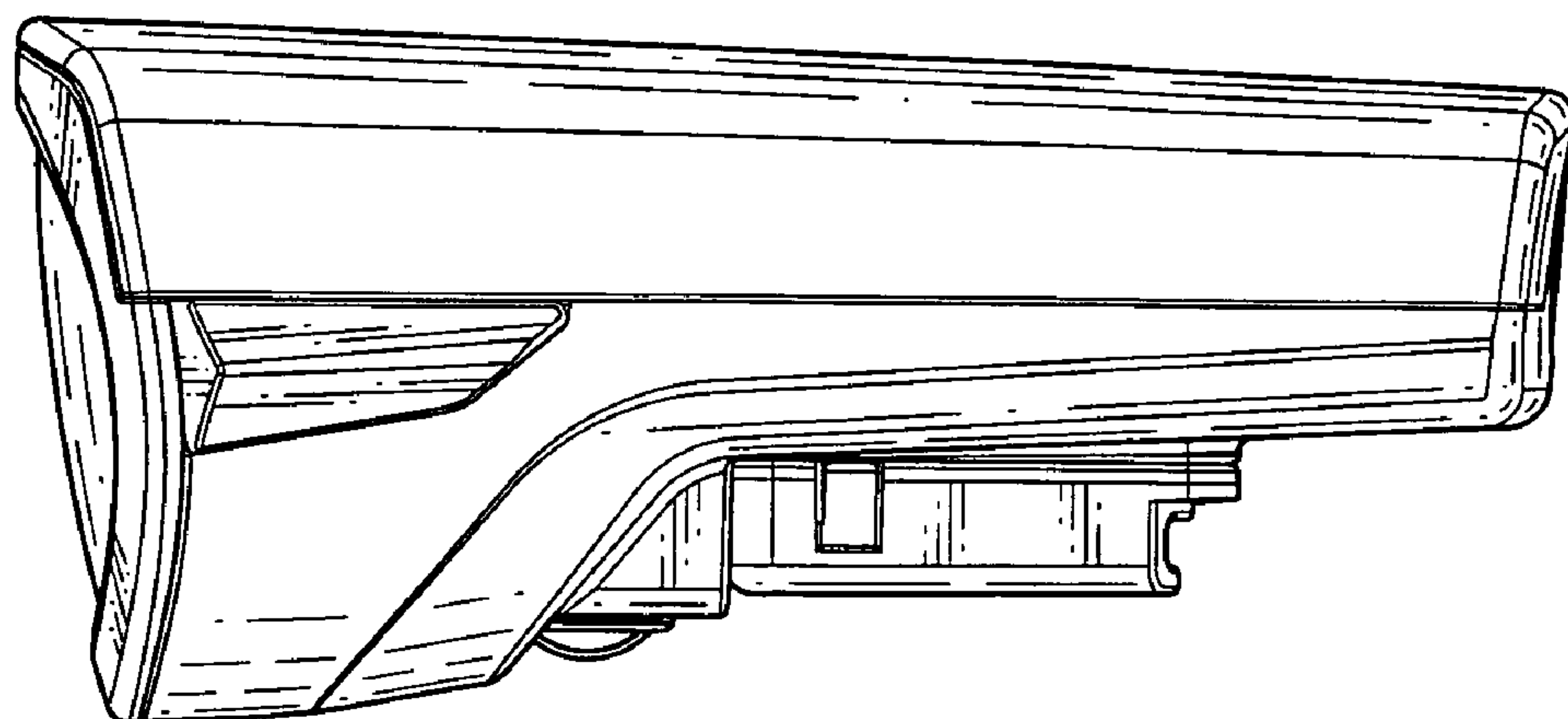


Fig. 6

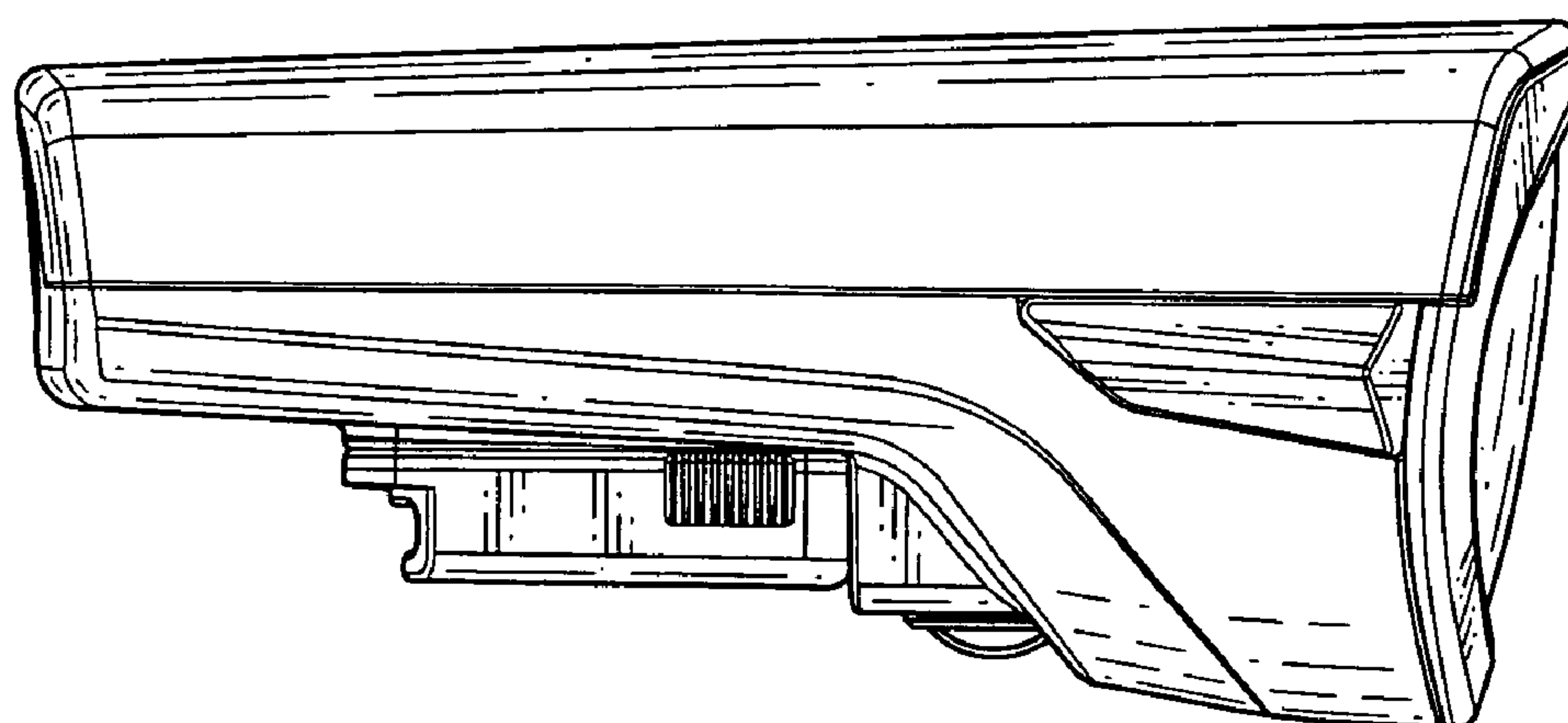


Fig. 7