



US00D629537S

(12) **United States Design Patent**
Hsu et al.

(10) **Patent No.:** **US D629,537 S**
(45) **Date of Patent:** **** Dec. 21, 2010**

(54) **LED LAMP**

2009/0080205 A1 3/2009 Chang et al.

(75) Inventors: **Feng-Ting Hsu**, Taipei County (TW);
Yi-Hung Chen, Taipei County (TW)

FOREIGN PATENT DOCUMENTS

(73) Assignee: **Everlight Electronics Co., Ltd.**, Taipei (TW)

TW 484998 4/2002
TW D105937 8/2005
TW D117006 5/2007

(**) Term: **14 Years**

* cited by examiner

(21) Appl. No.: **29/367,277**

Primary Examiner—Marcus A Jackson

(22) Filed: **Aug. 5, 2010**

(74) *Attorney, Agent, or Firm*—Muncy, Geissler, Olds & Lowe, PLLC

(30) **Foreign Application Priority Data**

(57) **CLAIM**

Feb. 5, 2010 (TW) 99300546

The ornamental design for LED lamp, as shown and described.

(51) **LOC (9) Cl.** **26-04**

DESCRIPTION

(52) **U.S. Cl.** **D26/3**

(58) **Field of Classification Search** D26/1-4;
313/313, 315, 316, 317, 318, 493; 315/52,
315/53, 56, 57, 58

FIG. 1 is a front perspective view thereof;

FIG. 2 is a front view thereof;

FIG. 3 is a rear view thereof;

FIG. 4 is a left side view thereof;

FIG. 5 is a right side view thereof;

FIG. 6 is a top plan view thereof;

FIG. 7 is a bottom plan view thereof; and,

FIG. 8 is another perspective view thereof.

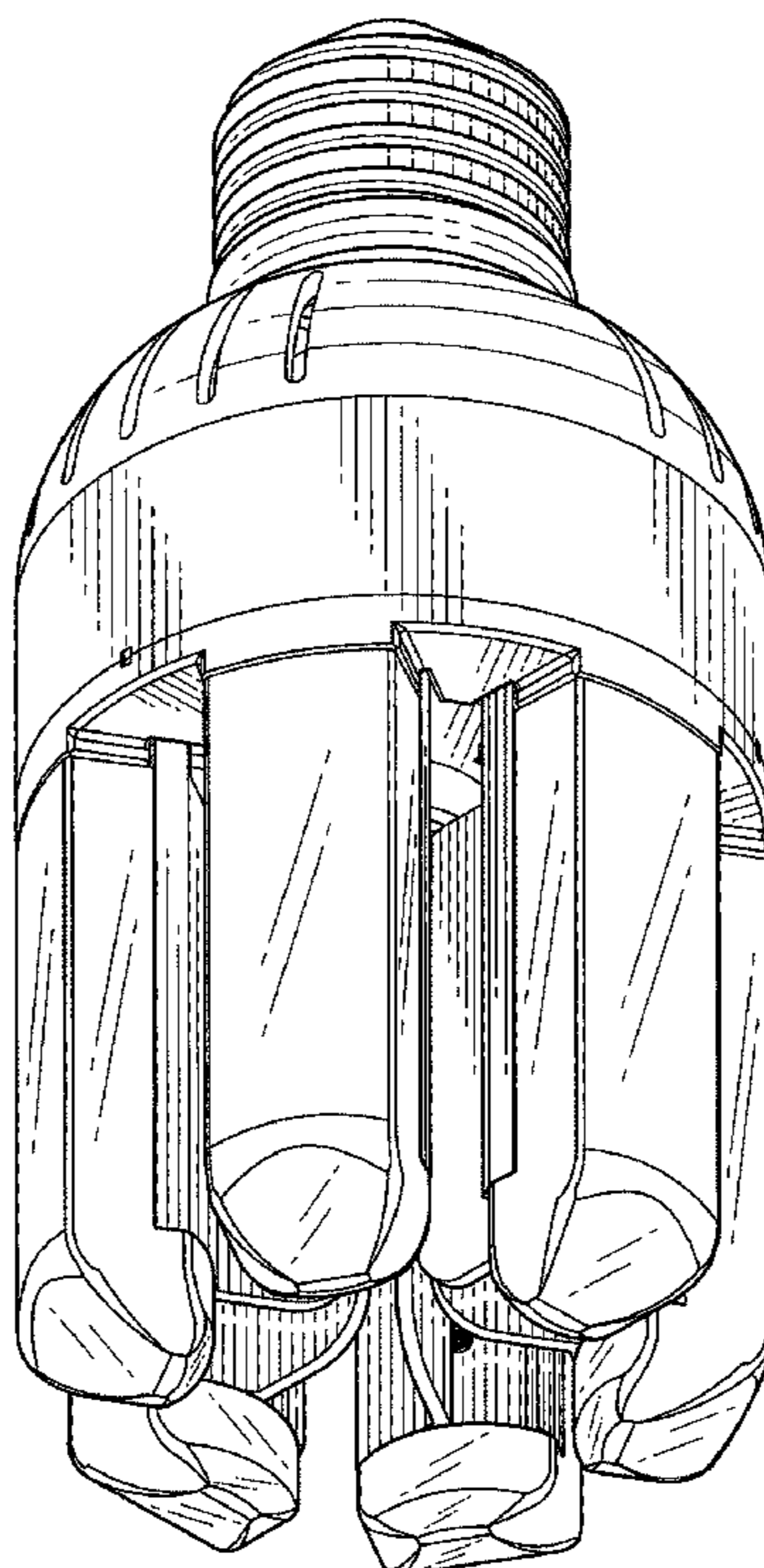
See application file for complete search history.

(56) **References Cited**

U.S. PATENT DOCUMENTS

D417,296 S * 11/1999 Kato et al. D26/3
D428,502 S * 7/2000 Ho D26/3
D447,254 S * 8/2001 Takeuchi D26/3
D464,154 S * 10/2002 Xu D26/3

1 Claim, 8 Drawing Sheets



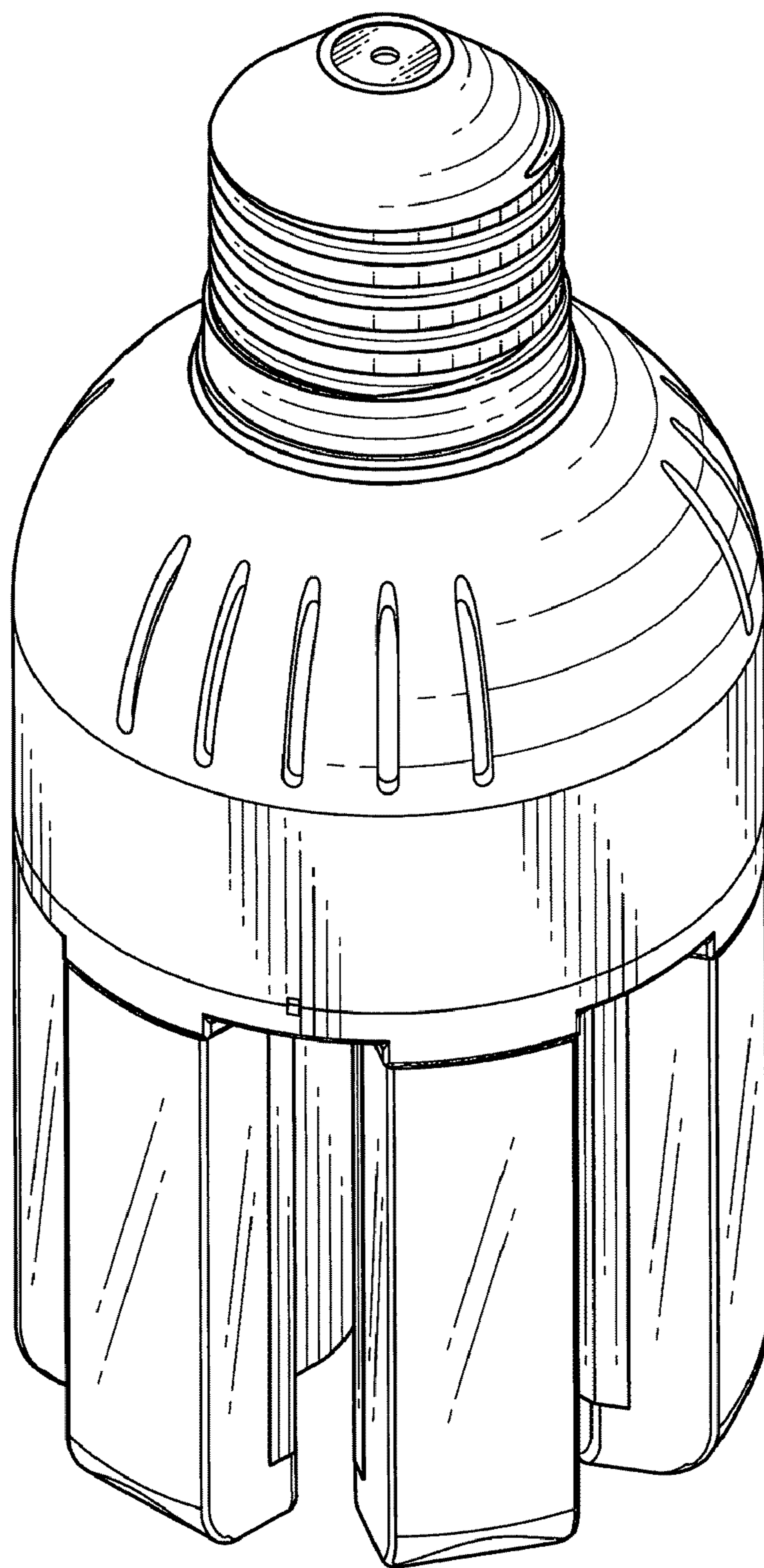


FIG. 1

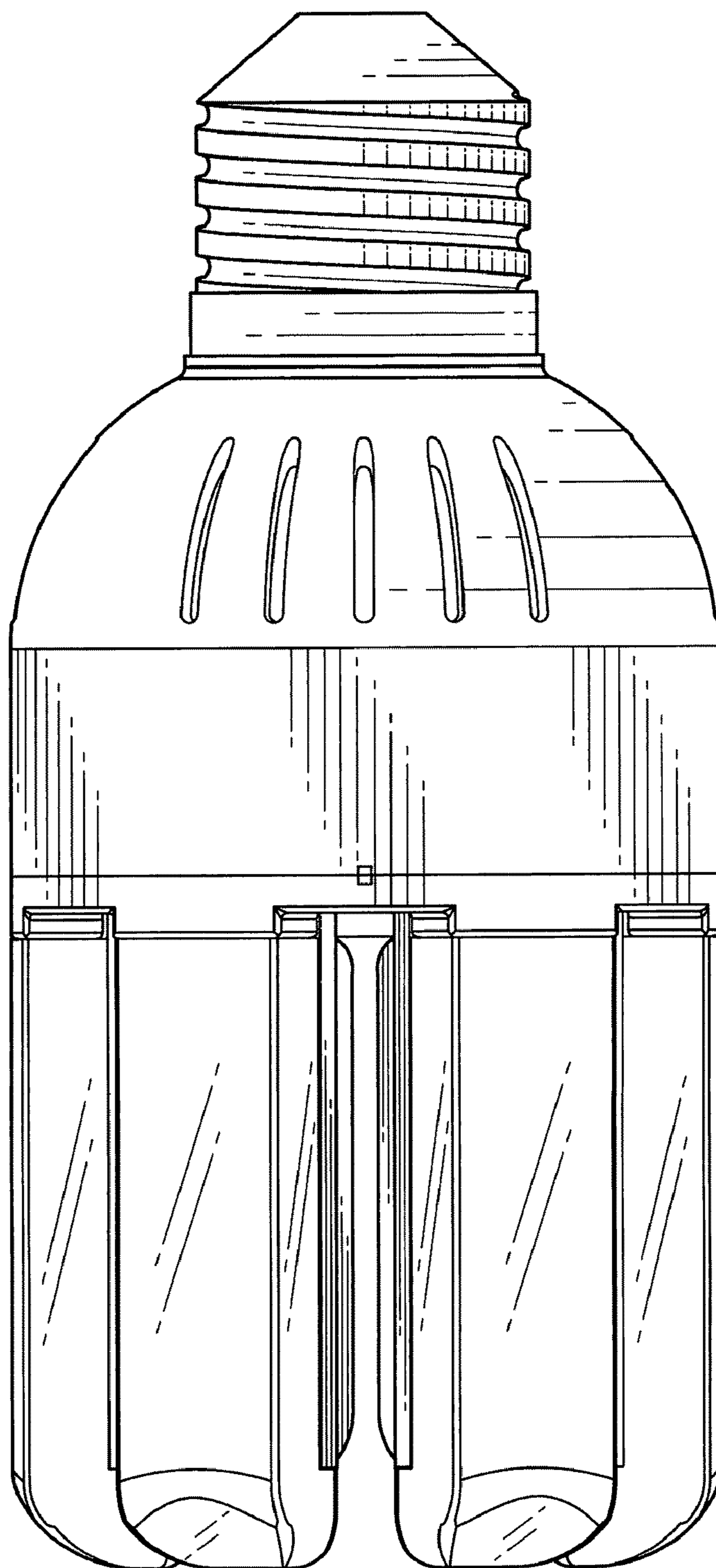


FIG. 2

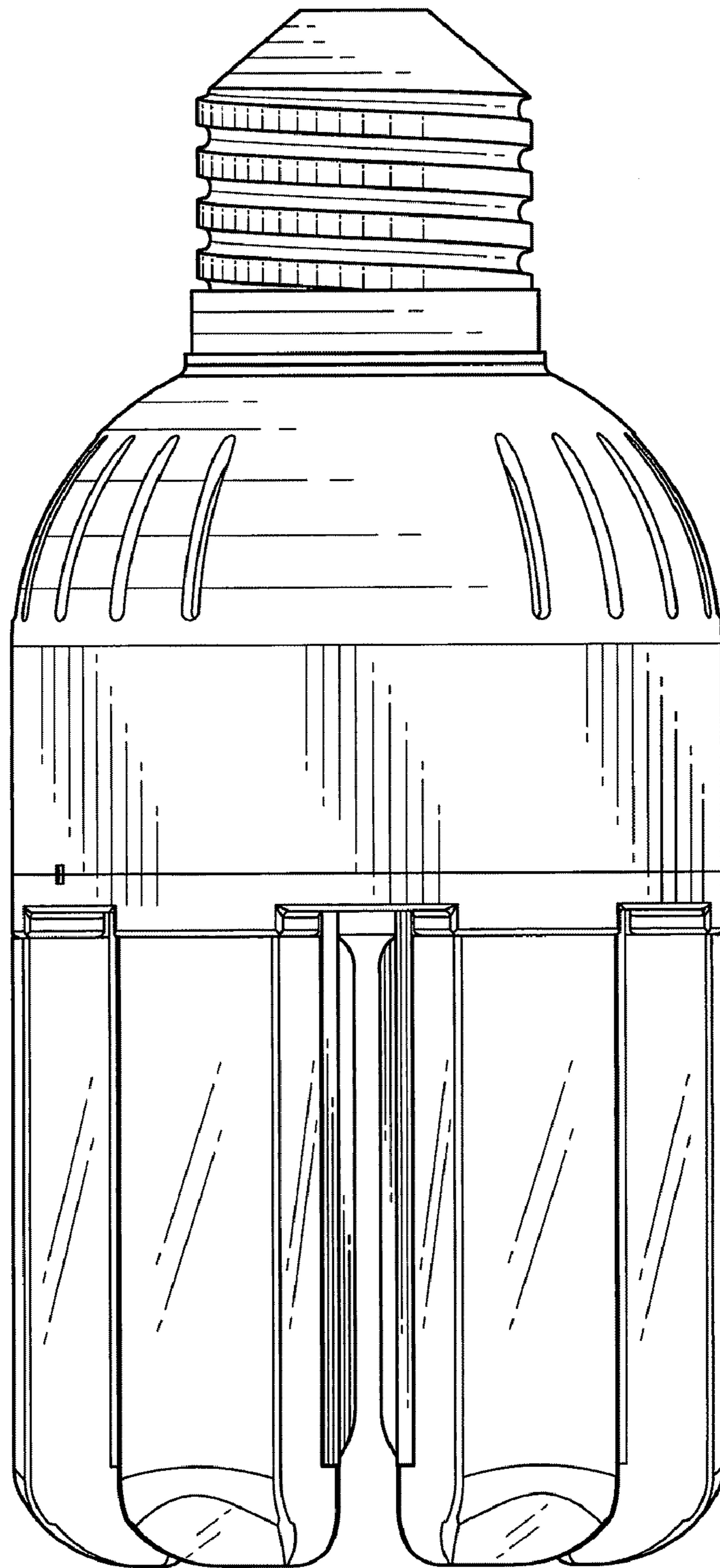


FIG. 3

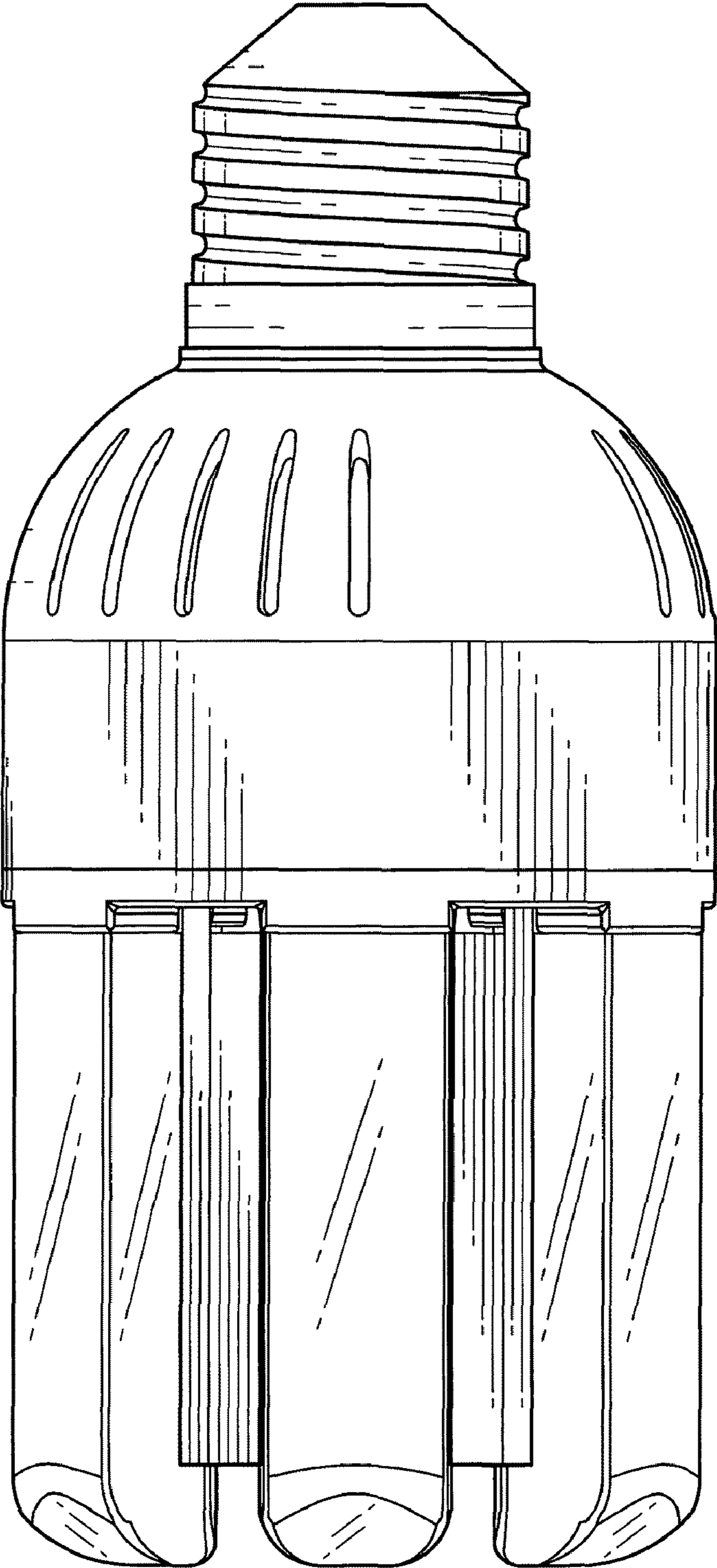


FIG. 4

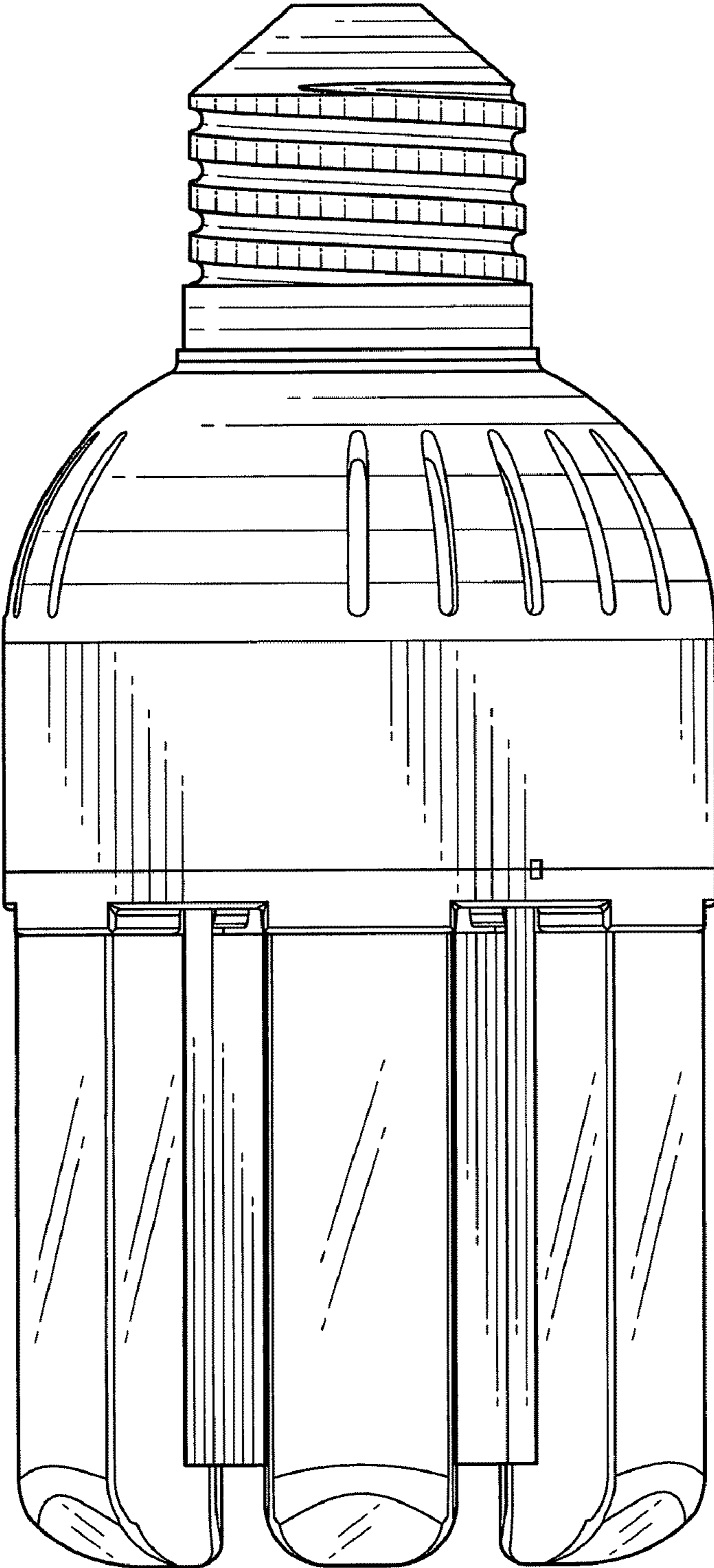


FIG. 5

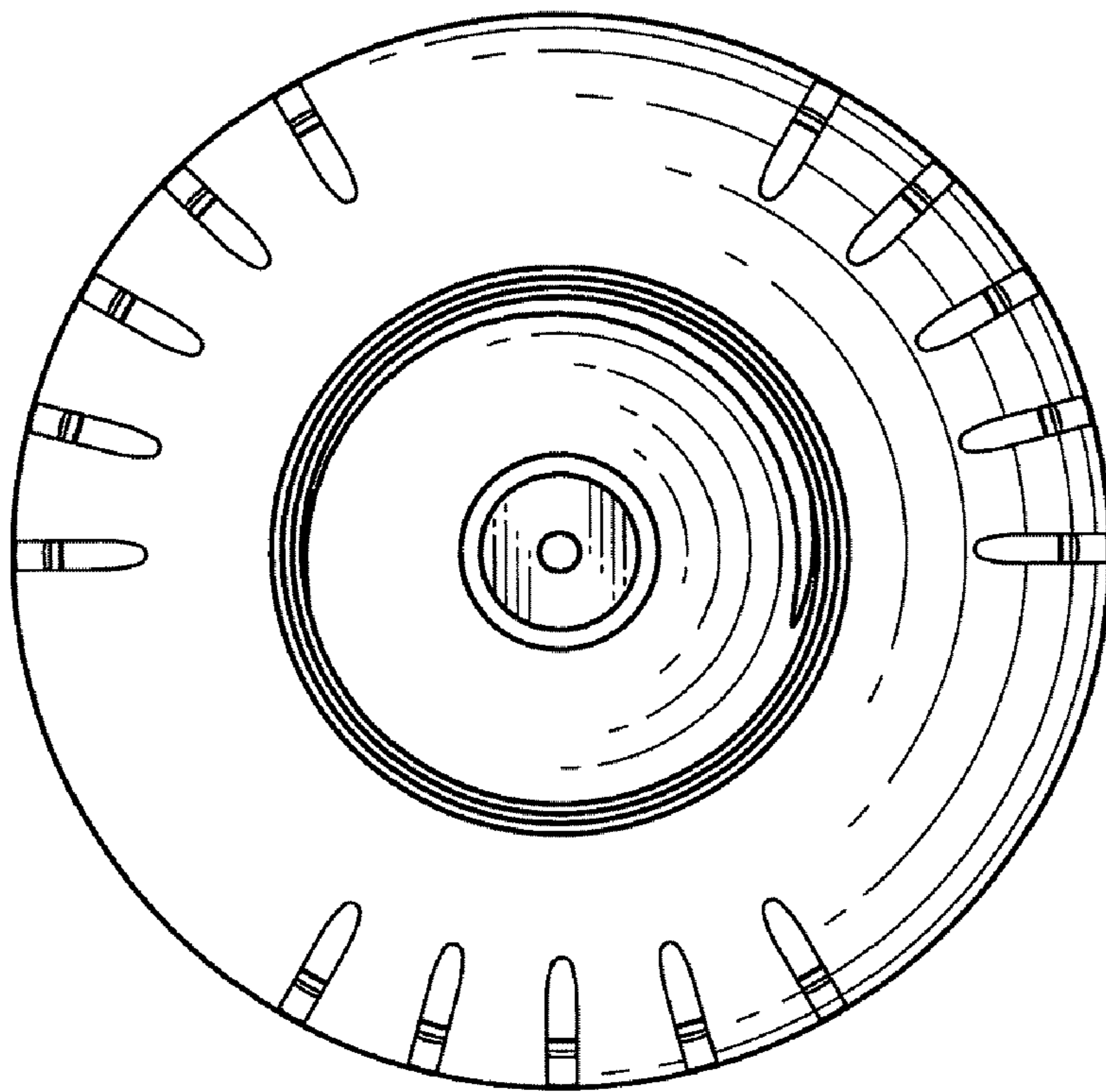


FIG. 6

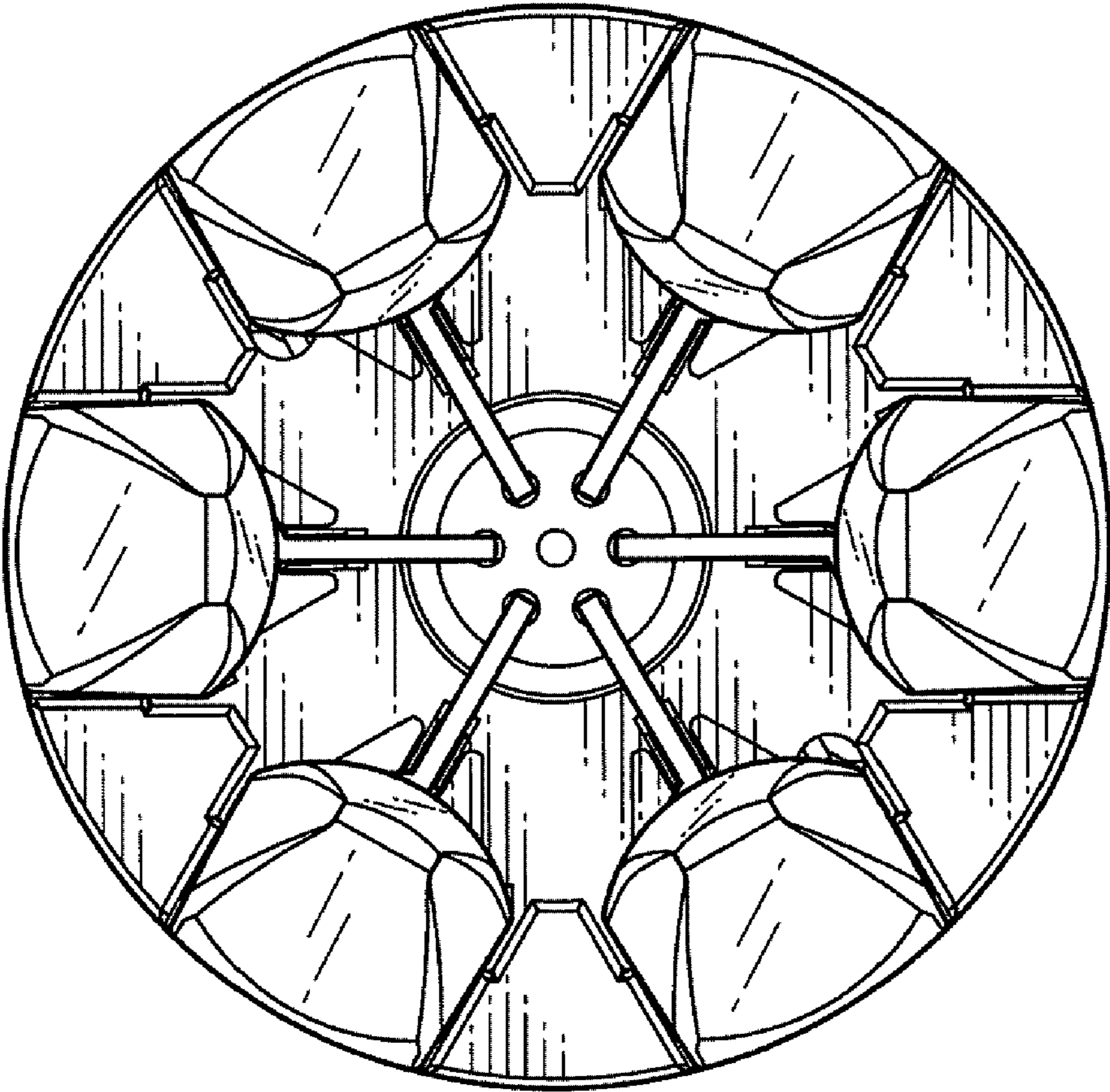


FIG. 7

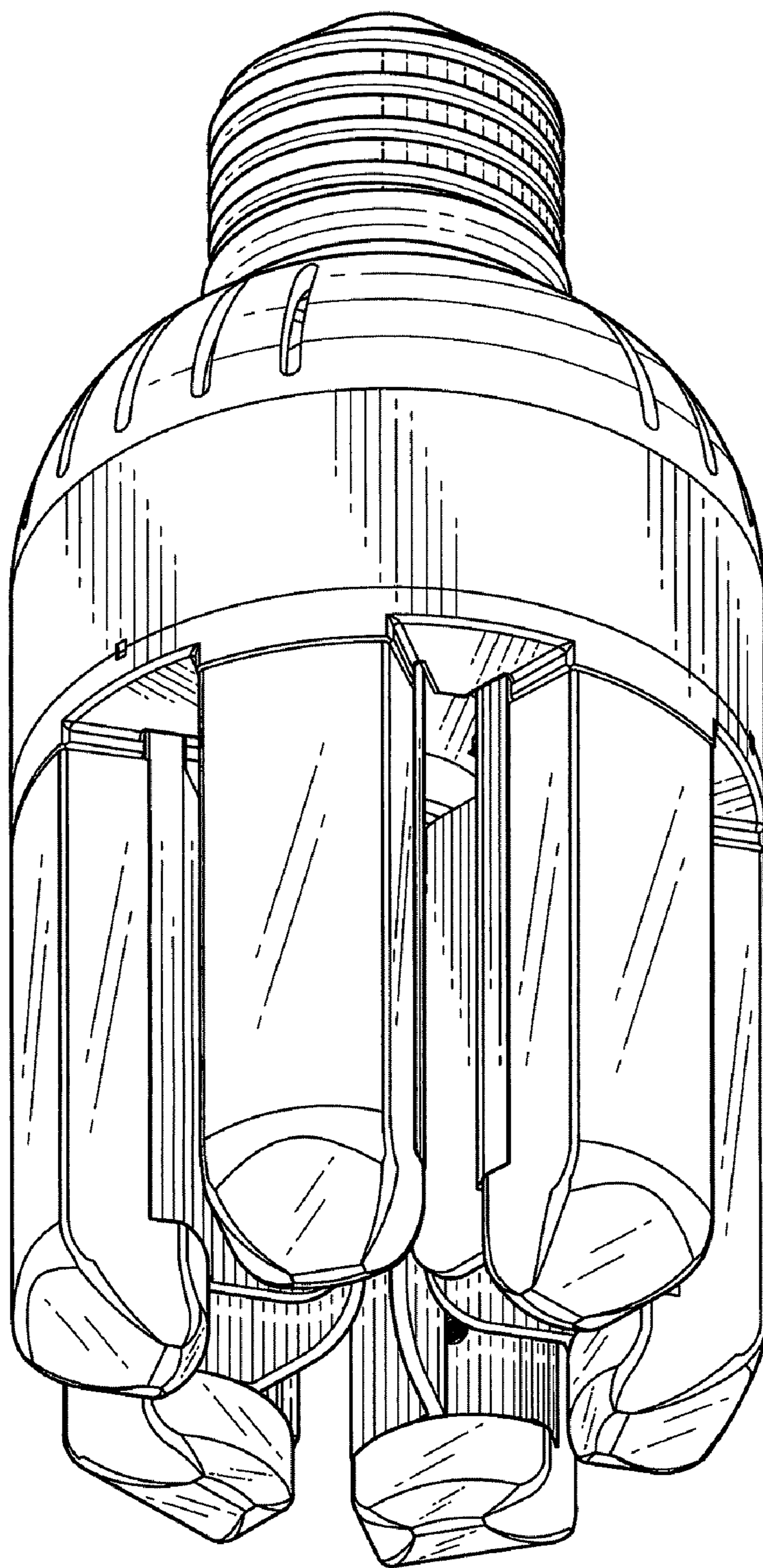


FIG. 8