



US00D629535S

(12) **United States Design Patent**  
**Lee**

(10) **Patent No.:** **US D629,535 S**  
(45) **Date of Patent:** **\*\* Dec. 21, 2010**

(54) **LED LAMP**

(75) Inventor: **Ming-Cheng Lee**, Taoyuan Hsien (TW)

(73) Assignee: **Delta Electronics, Inc.**, Taoyuan Hsien (TW)

(\*\*) Term: **14 Years**

(21) Appl. No.: **29/359,315**

(22) Filed: **Apr. 8, 2010**

(51) **LOC (9) Cl.** ..... **26-04**

(52) **U.S. Cl.** ..... **D26/2**

(58) **Field of Classification Search** ..... D26/1-4;  
313/313, 315, 316, 317, 318, 493; 315/52,  
315/53, 56, 57, 58

See application file for complete search history.

(56) **References Cited**

**U.S. PATENT DOCUMENTS**

- D531,741 S \* 11/2006 Takahashi ..... D26/2
- D538,953 S \* 3/2007 Mama ..... D26/2
- D548,369 S \* 8/2007 Bembridge ..... D26/2
- D549,360 S \* 8/2007 An ..... D26/2

- D550,864 S \* 9/2007 Hernandez et al. .... D26/2
- D553,267 S \* 10/2007 Yuen ..... D26/2
- D602,614 S \* 10/2009 Takahashi et al. .... D26/2

\* cited by examiner

*Primary Examiner*—Marcus A Jackson

(74) *Attorney, Agent, or Firm*—Muncy, Geissler, Olds & Lowe, PLLC

(57) **CLAIM**

The ornamental design for LED lamp, as shown and described.

**DESCRIPTION**

FIG. 1 is a front perspective view thereof;

FIG. 2 is a front view thereof;

FIG. 3 is a rear view thereof;

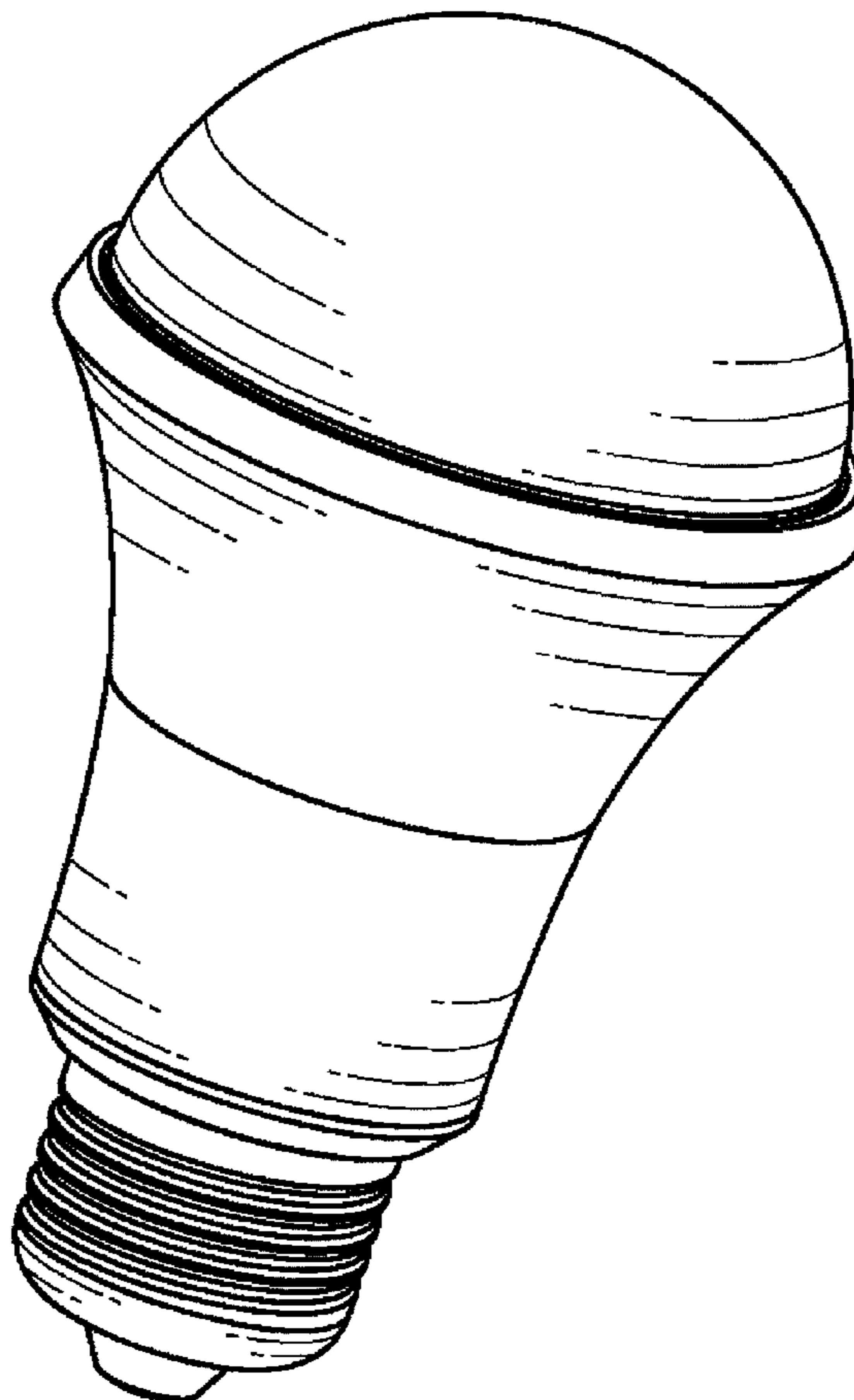
FIG. 4 is a left side view thereof;

FIG. 5 is a right side view thereof;

FIG. 6 is a top plan view thereof; and,

FIG. 7 is a bottom plan view thereof.

**1 Claim, 6 Drawing Sheets**



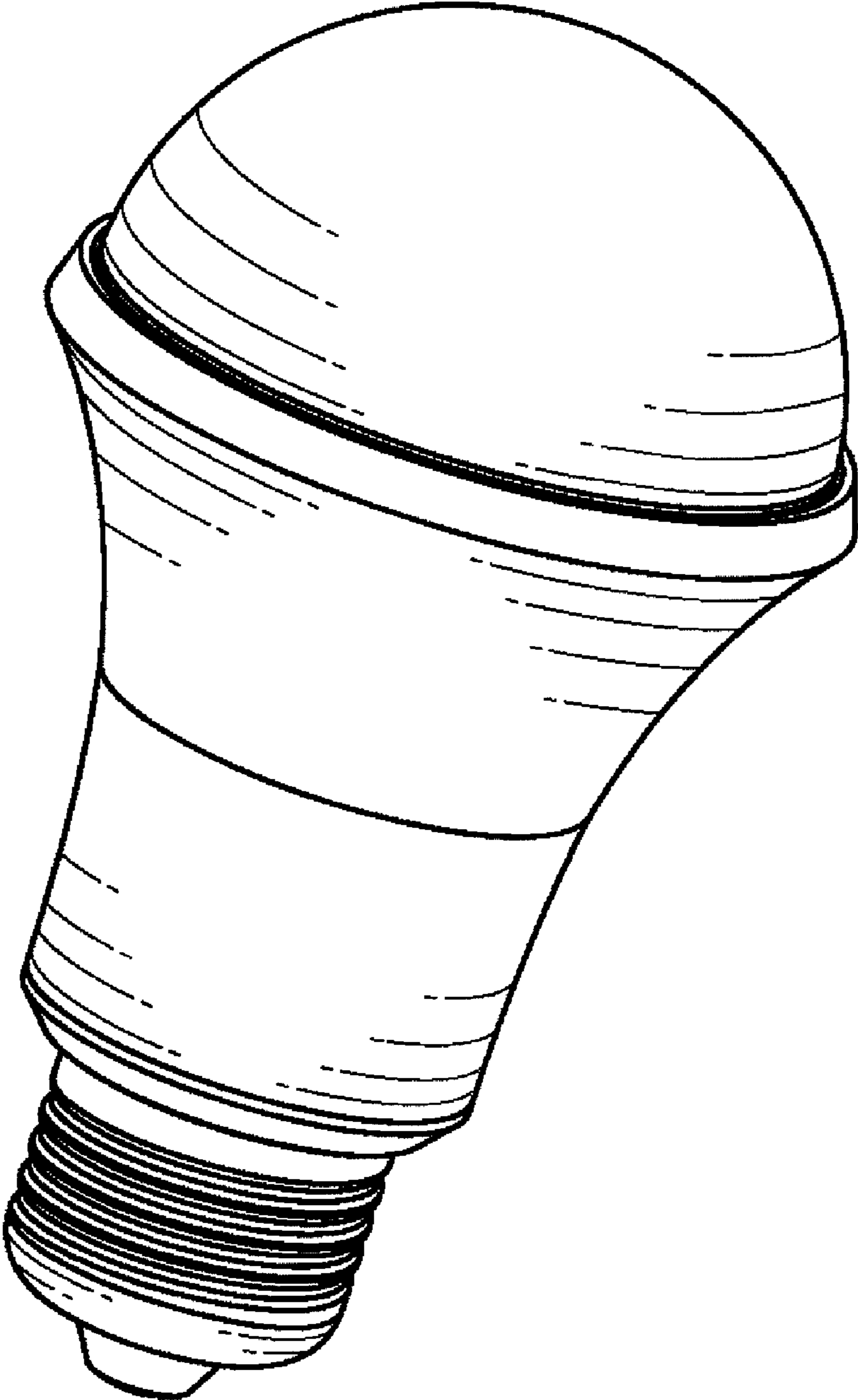


FIG. 1

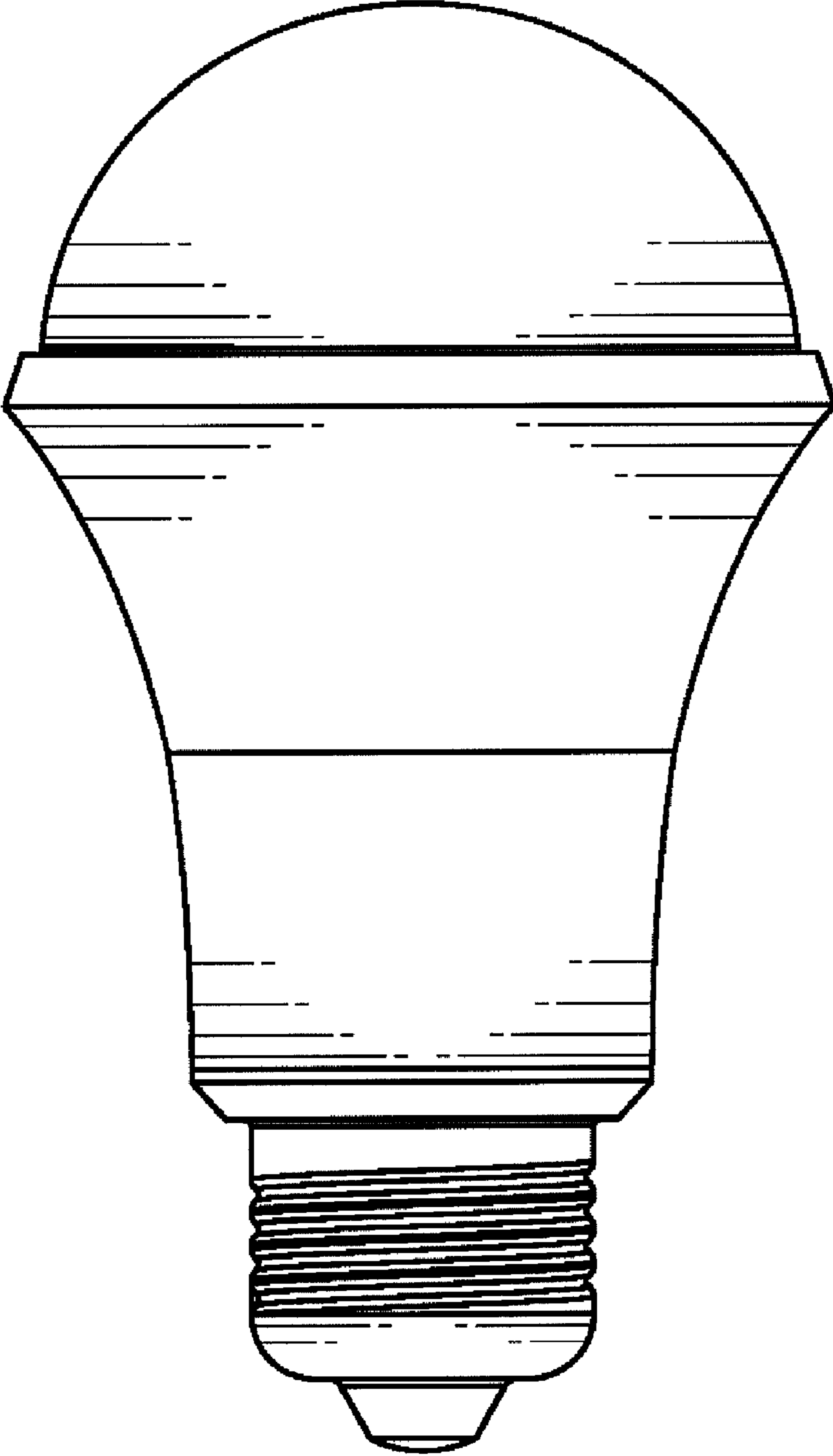


FIG. 2

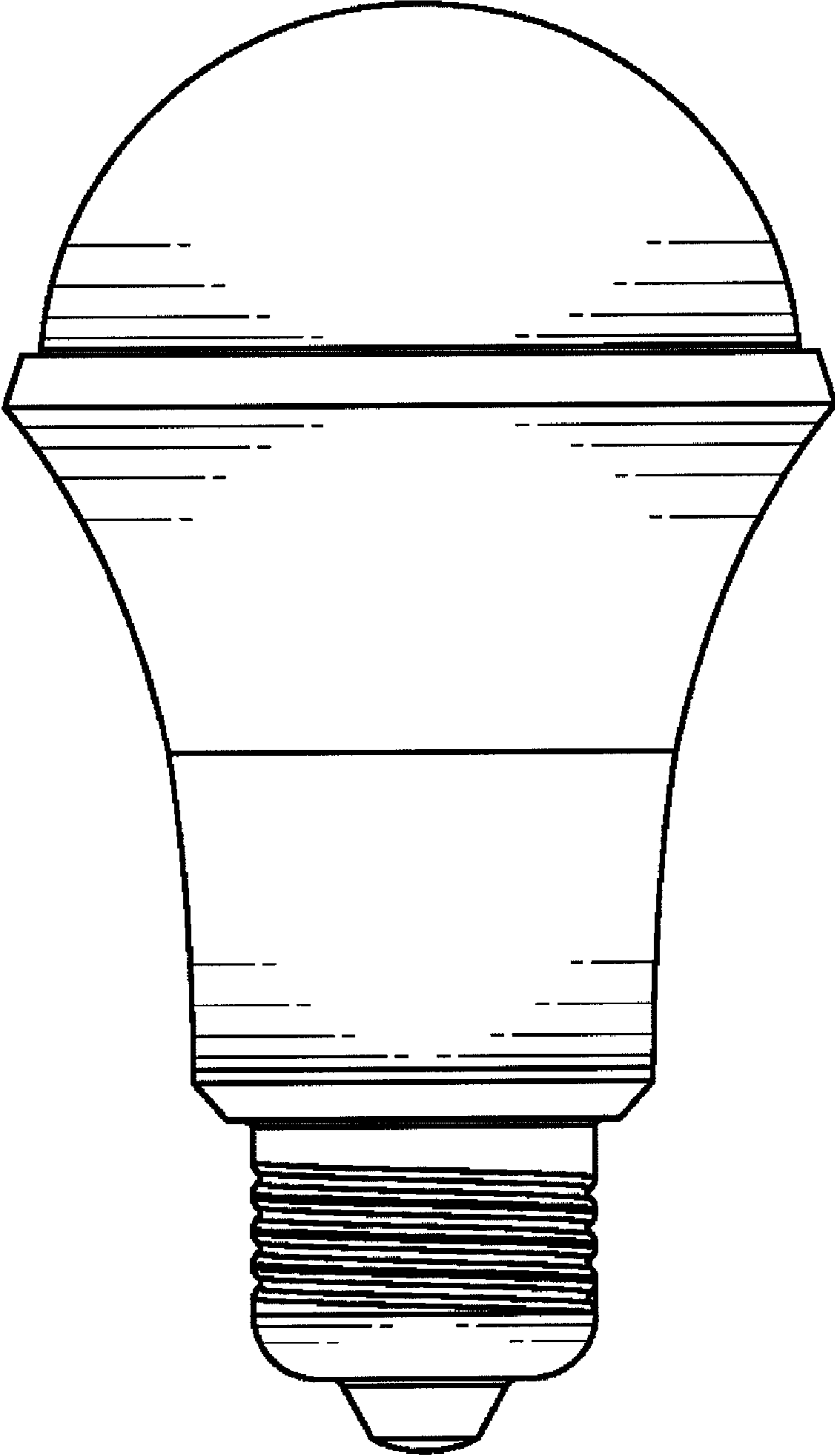


FIG. 3

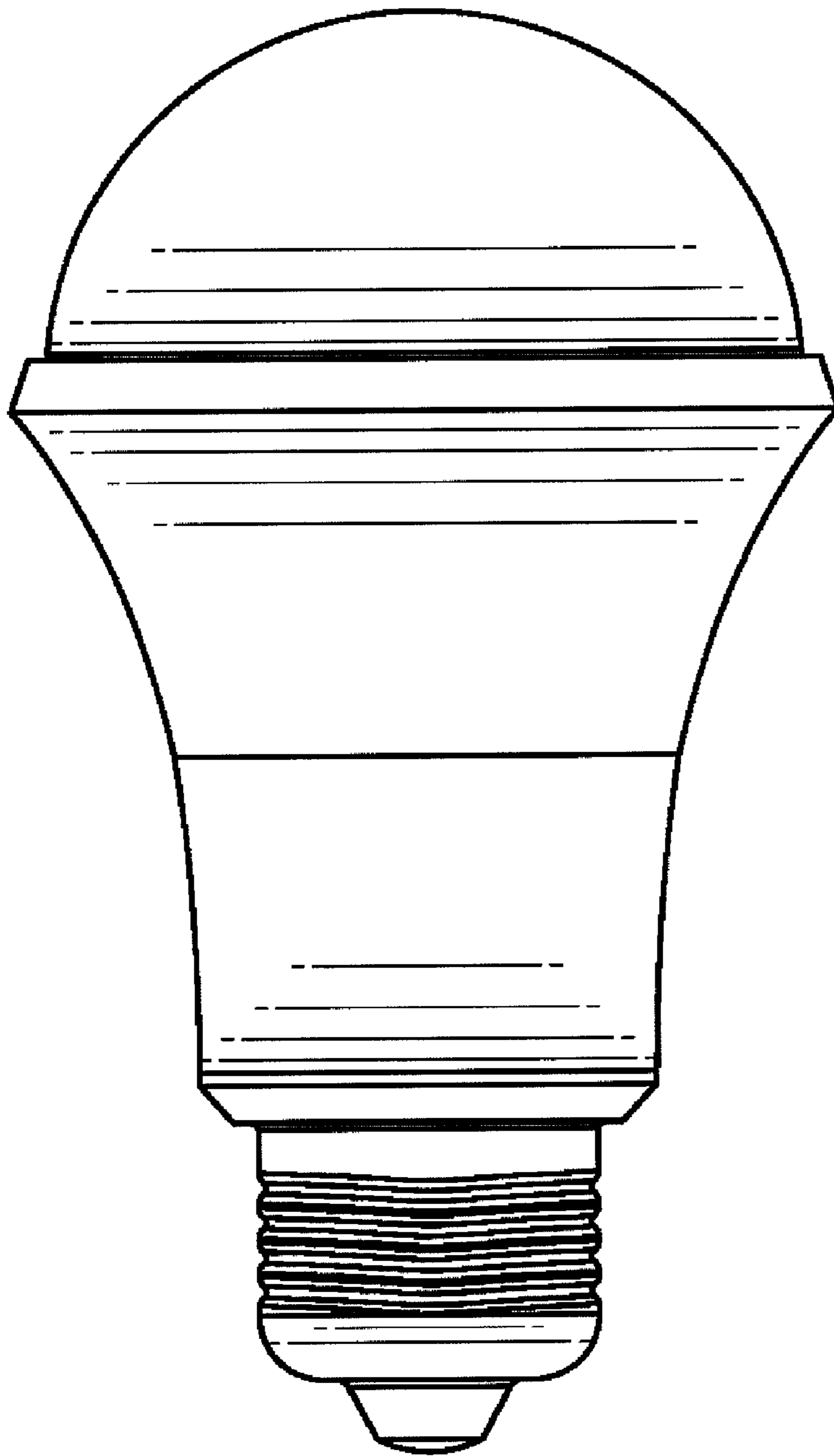


FIG. 4

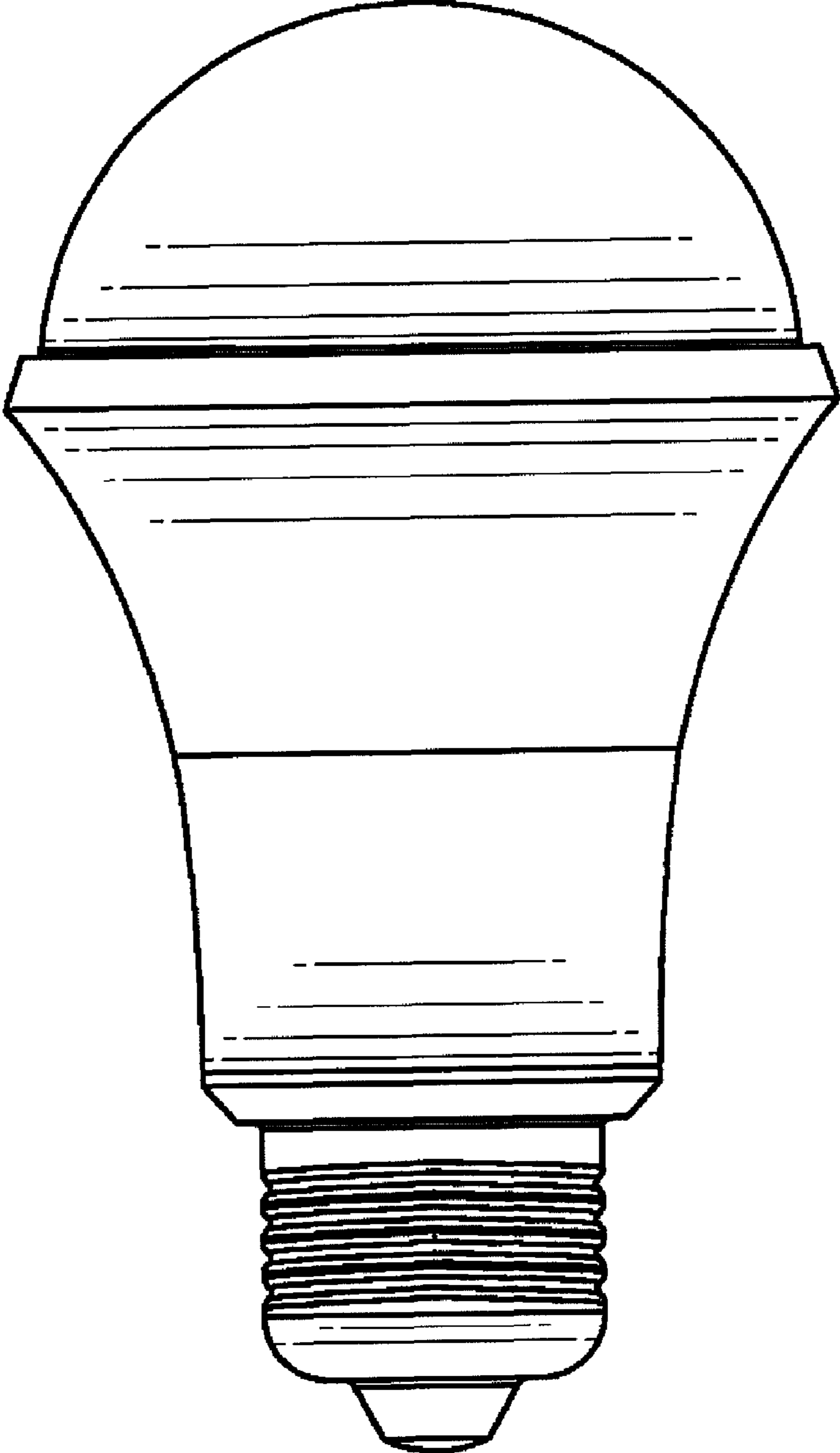


FIG. 5

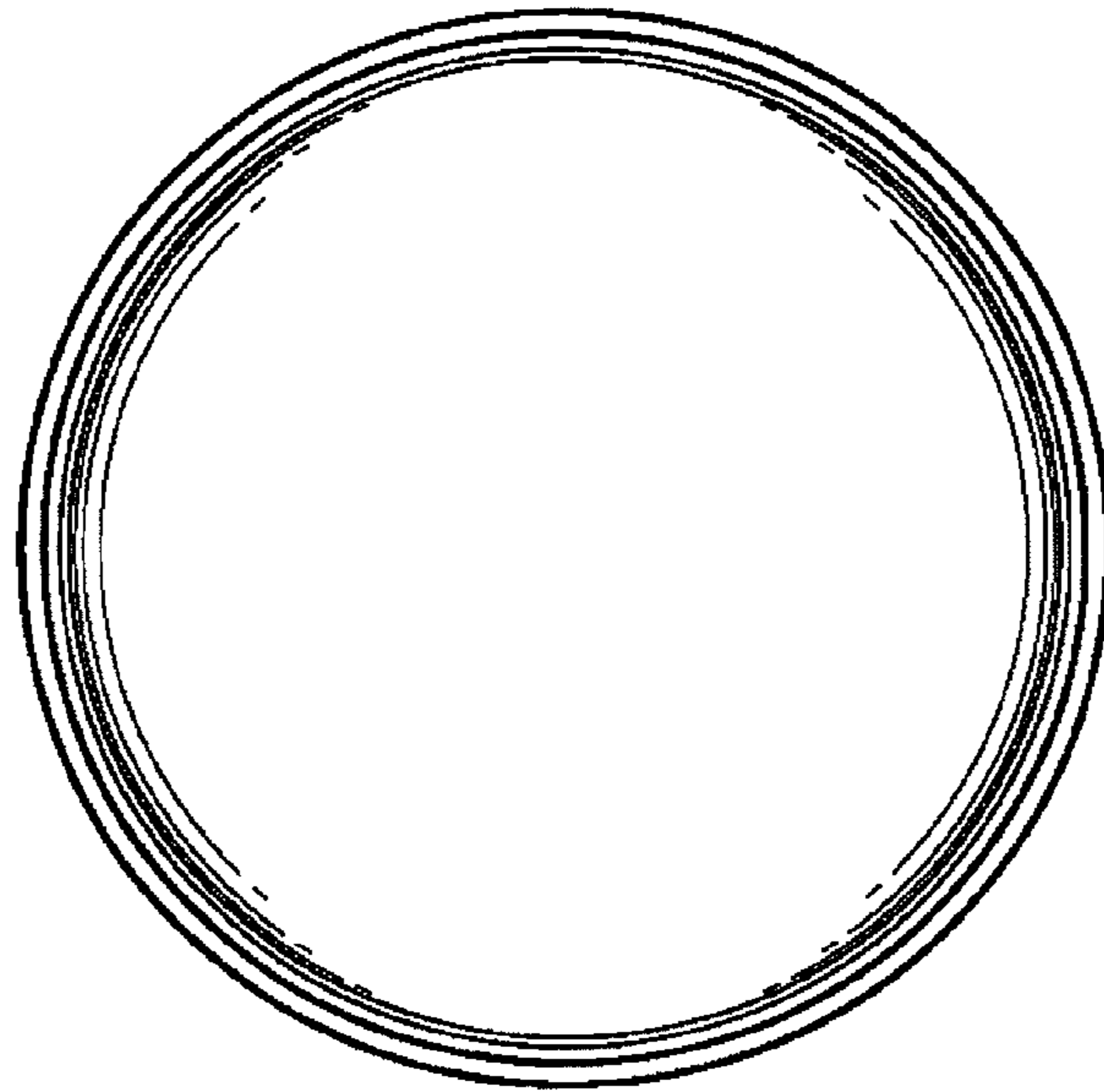


FIG. 6

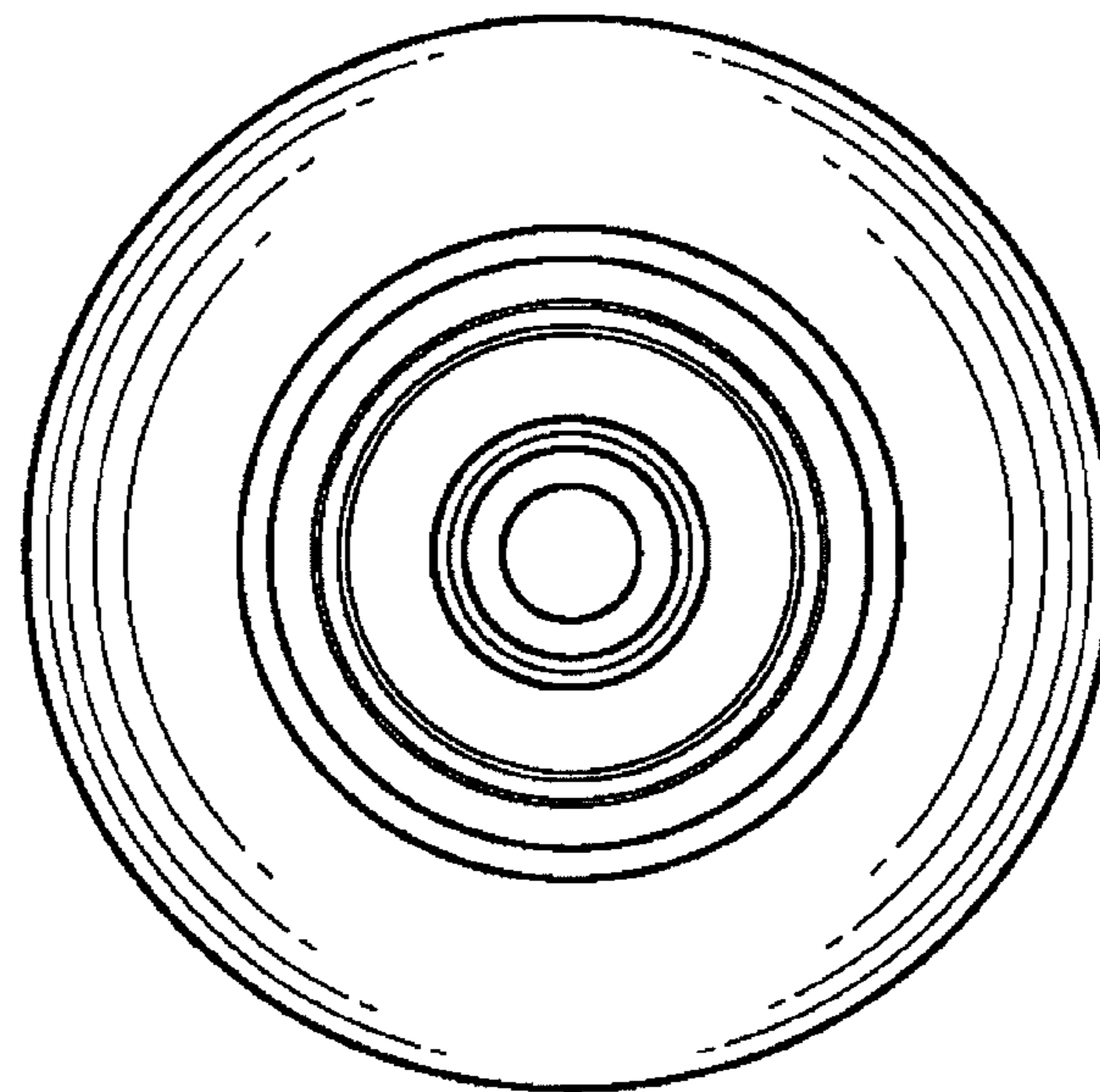


FIG. 7