



US00D629534S

(12) **United States Design Patent**
Song

(10) **Patent No.:** **US D629,534 S**

(45) **Date of Patent:** **** Dec. 21, 2010**

(54) **LED LAMP**

D542,426 S * 5/2007 Itaya et al. D26/2
D581,556 S * 11/2008 To et al. D26/2

(75) Inventor: **Jin-Young Song**, Hong Kong (HK)

(73) Assignee: **Koninklijke Philips Electronics N.V.**,
Eindhoven (NL)

* cited by examiner

(**) Term: **14 Years**

Primary Examiner—Marcus A Jackson

(21) Appl. No.: **29/356,819**

(57) **CLAIM**

(22) Filed: **Mar. 3, 2010**

The ornamental design for a LED lamp, as shown.

(30) **Foreign Application Priority Data**

DESCRIPTION

Sep. 3, 2009 (EM) 001607300-0001

(51) **LOC (9) Cl.** **26-04**

(52) **U.S. Cl.** **D26/2**

(58) **Field of Classification Search** D26/1-4;
313/313, 315, 316, 317, 318, 493; 315/52,
315/53, 56, 57, 58

See application file for complete search history.

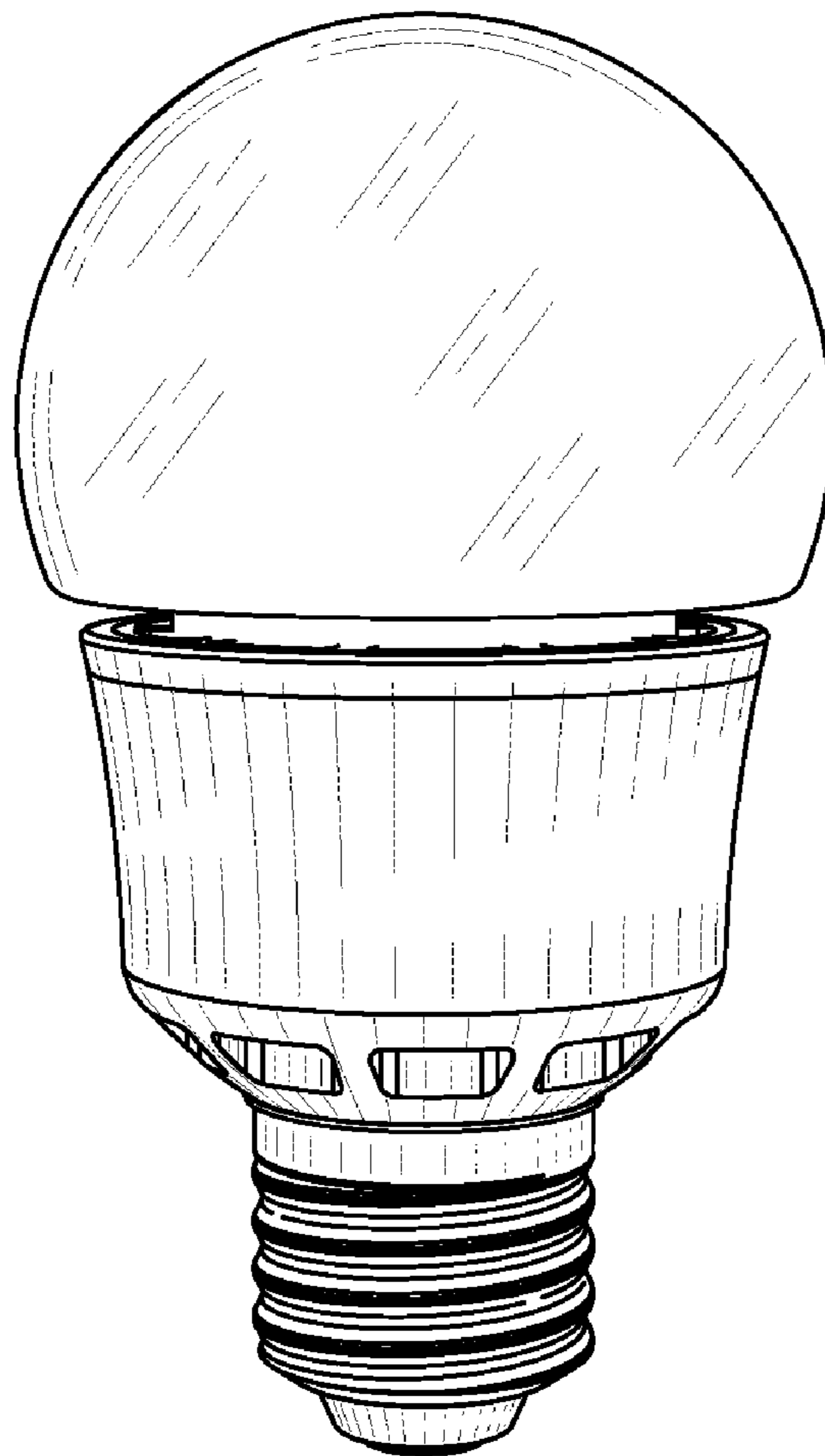
FIG. 1 is a perspective view showing my design;
FIG. 2 is a front elevational view thereof;
FIG. 3 is a rear elevational view thereof;
FIG. 4 is a right side elevational view thereof;
FIG. 5 is a left side elevational view thereof;
FIG. 6 is a top plan view thereof; and,
FIG. 7 is a bottom plan view thereof.

(56) **References Cited**

U.S. PATENT DOCUMENTS

D494,688 S * 8/2004 Van de Ven et al. D26/2

1 Claim, 3 Drawing Sheets



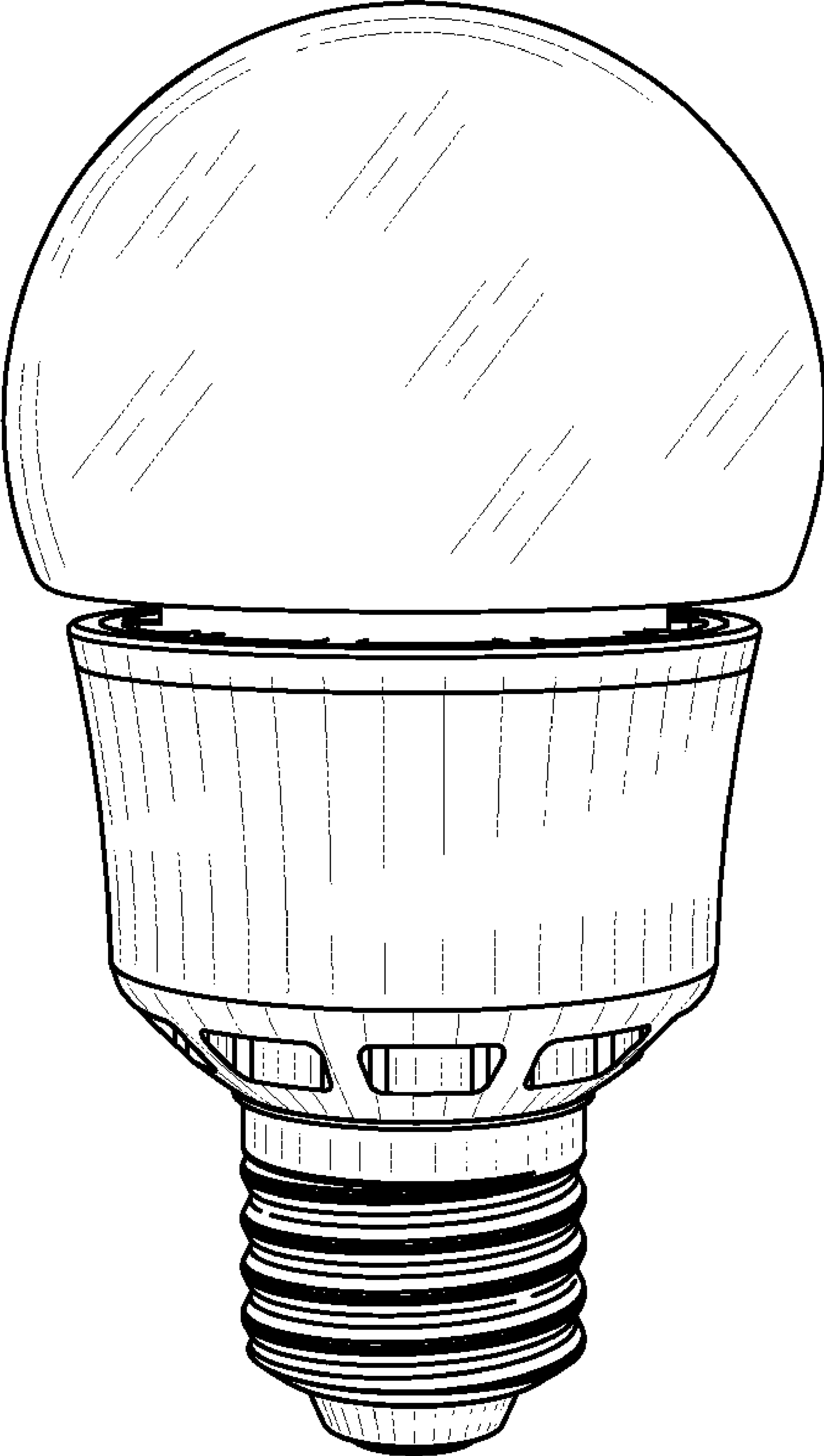


FIG. 1

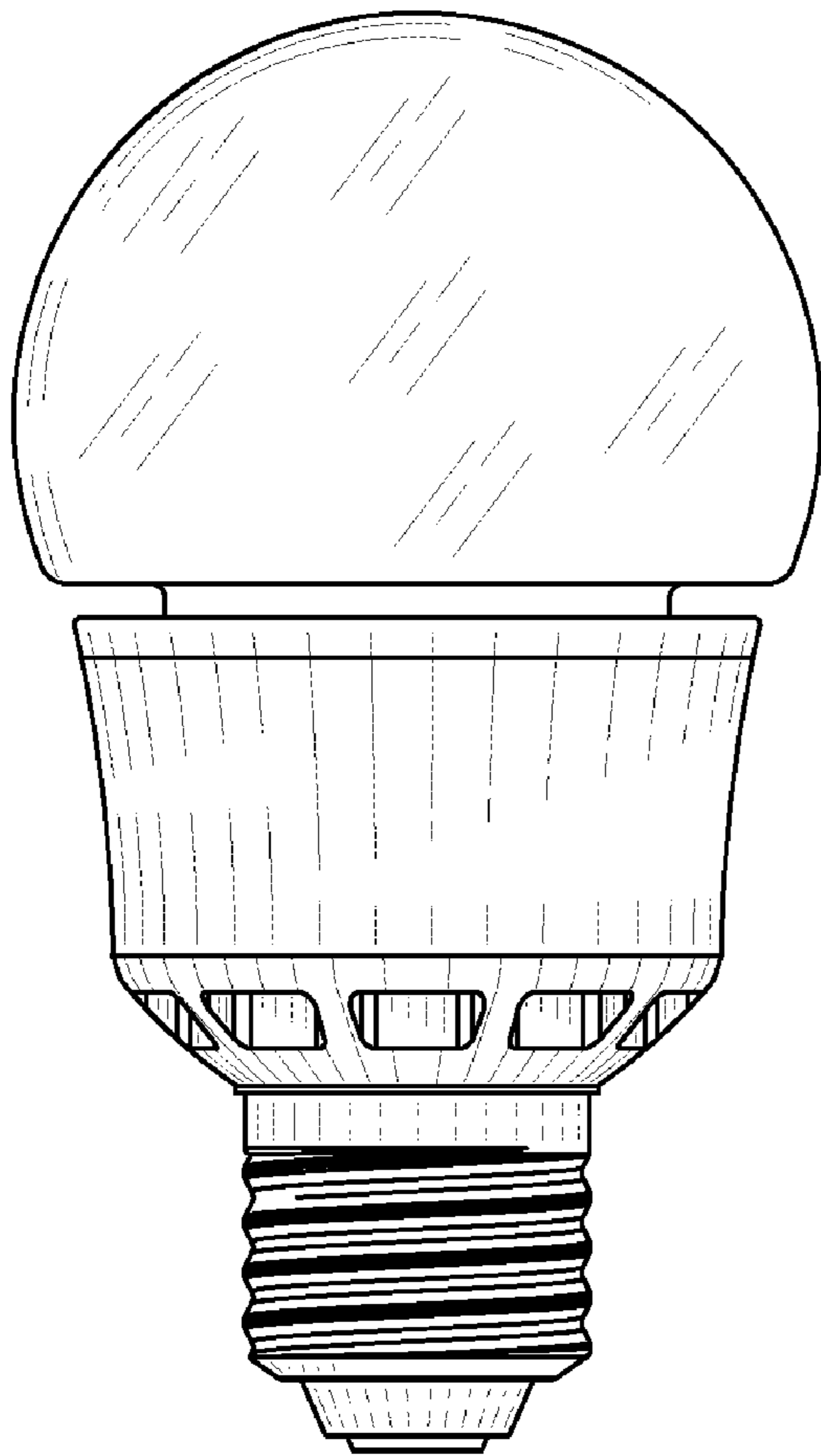


FIG. 2

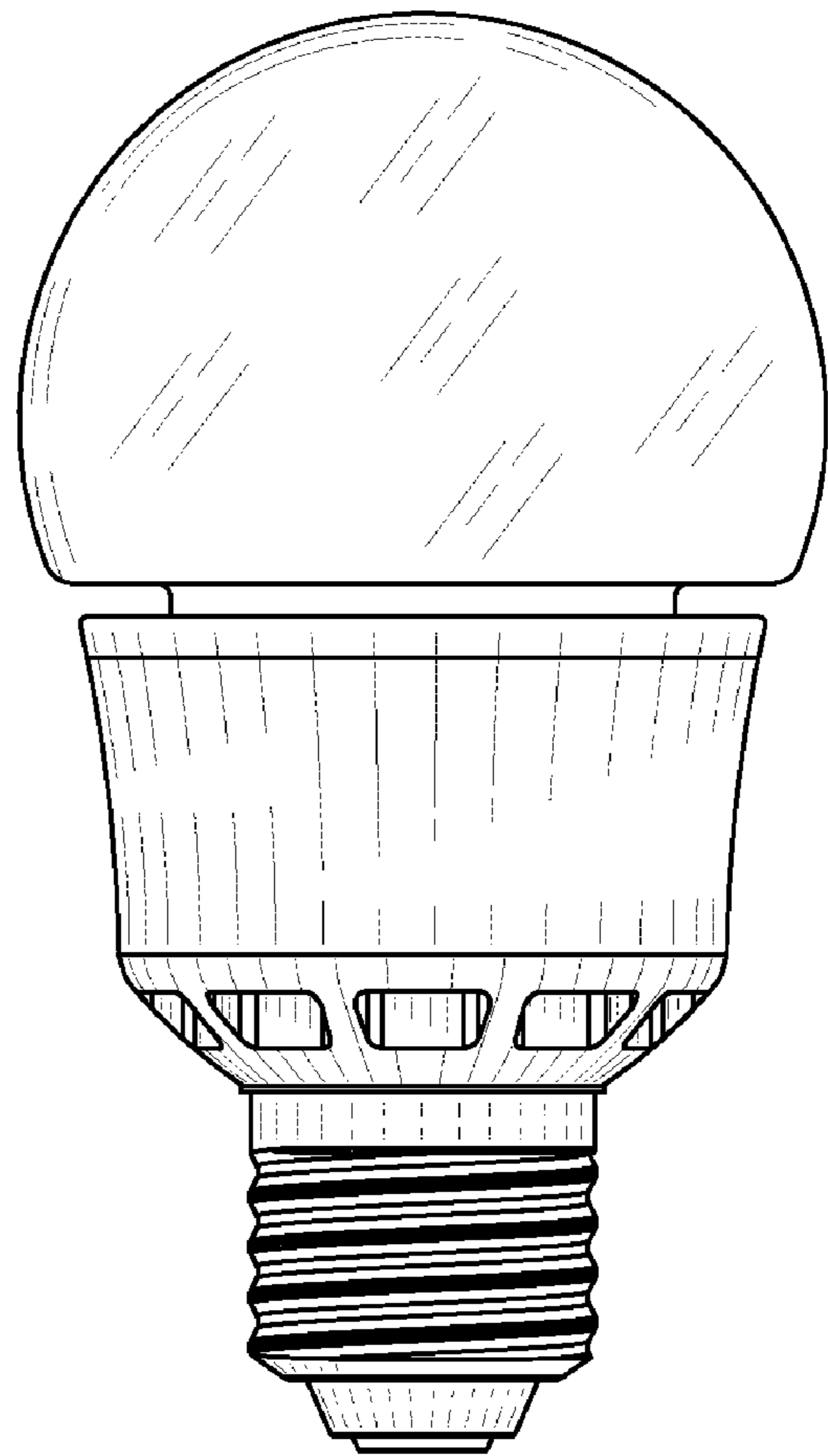


FIG. 3

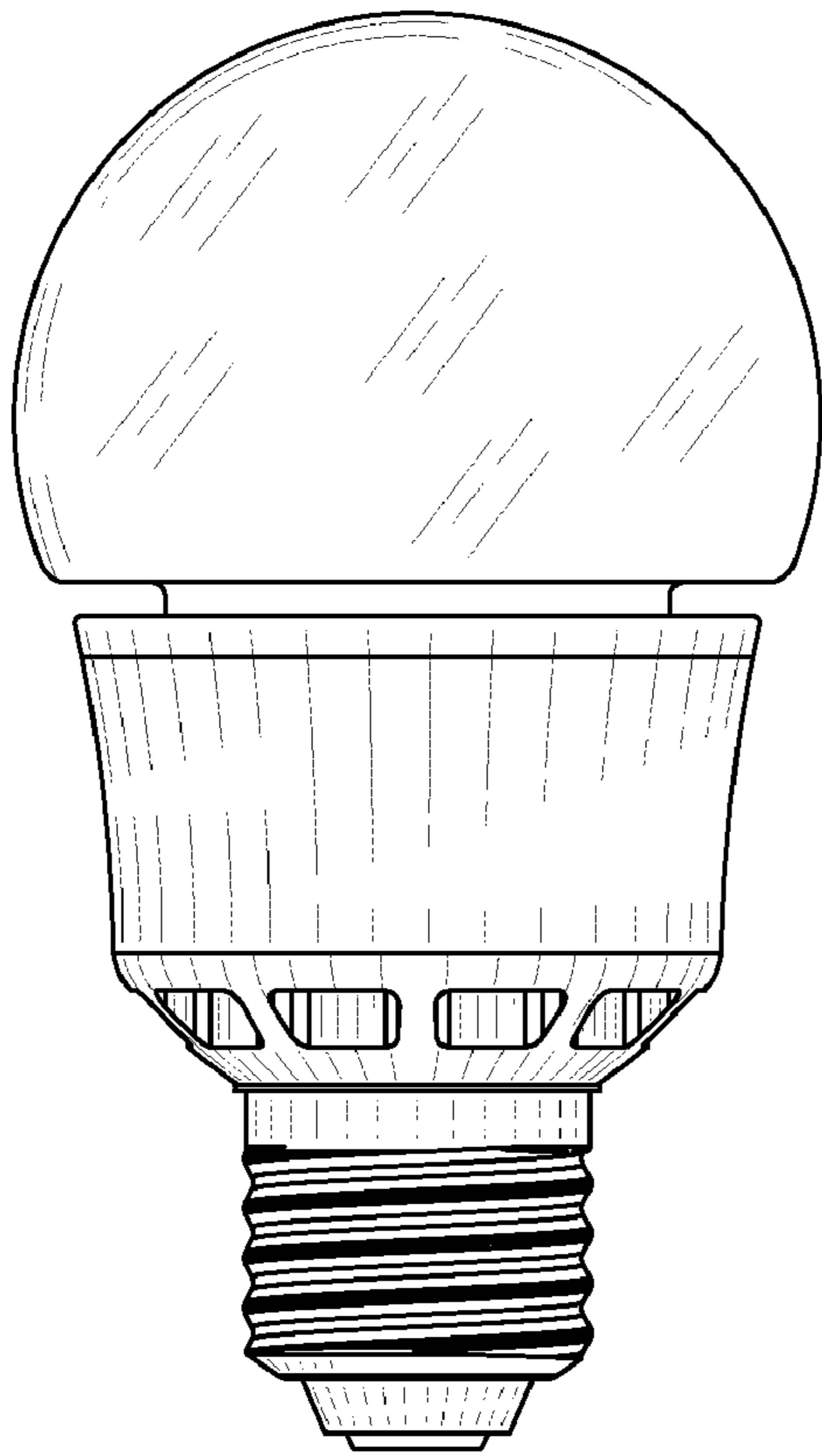


FIG. 4

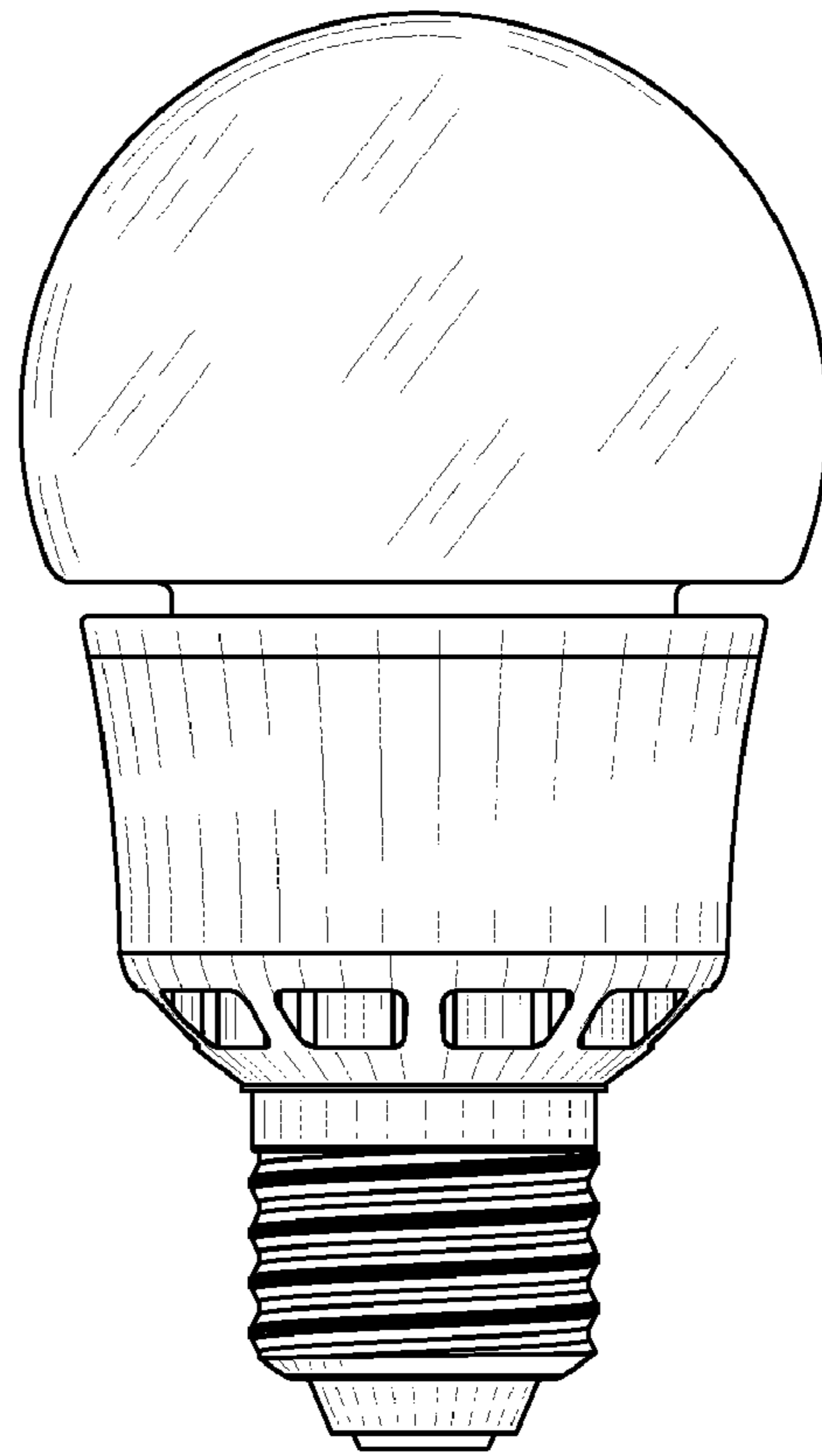


FIG. 5

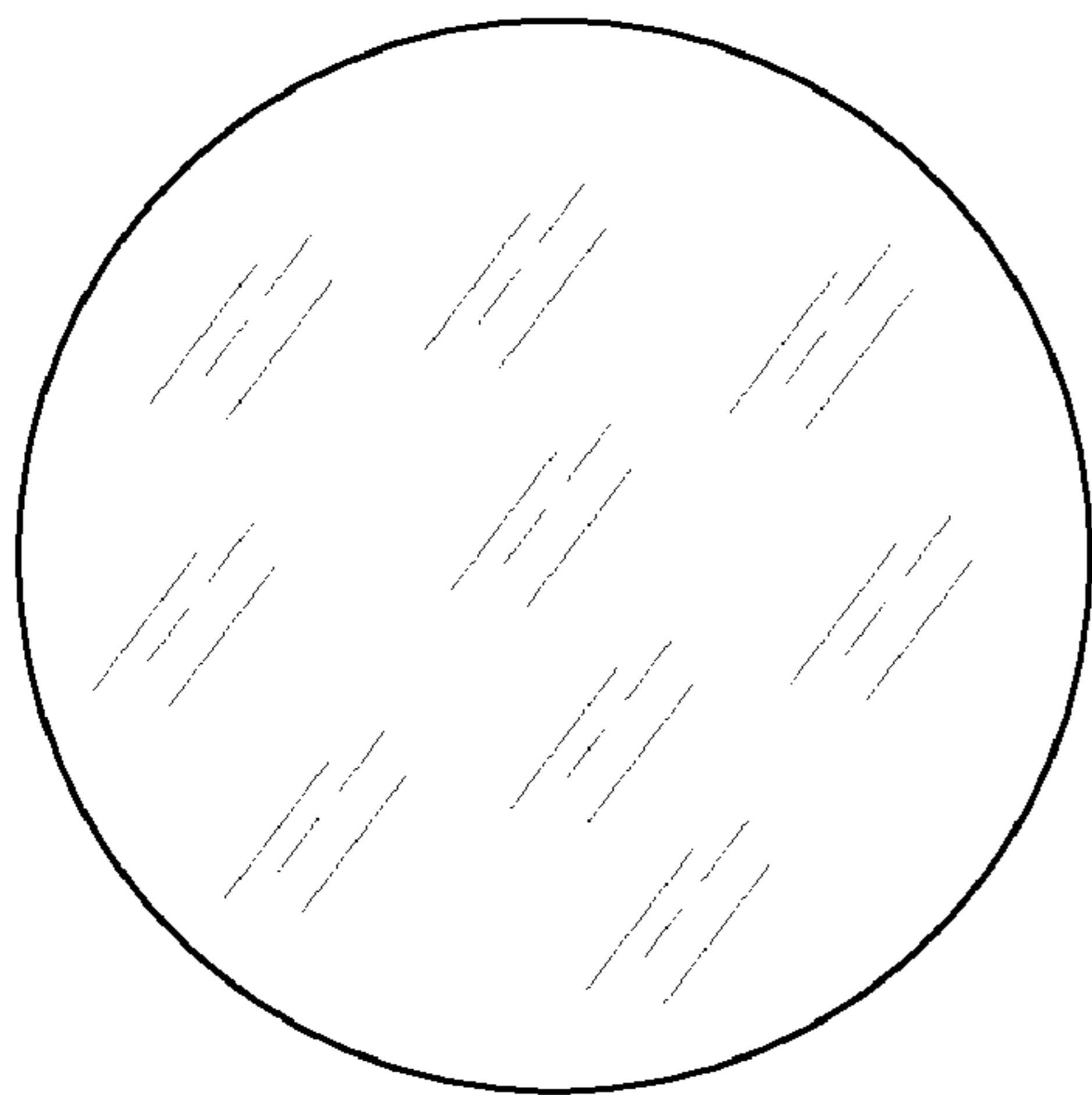


FIG. 6

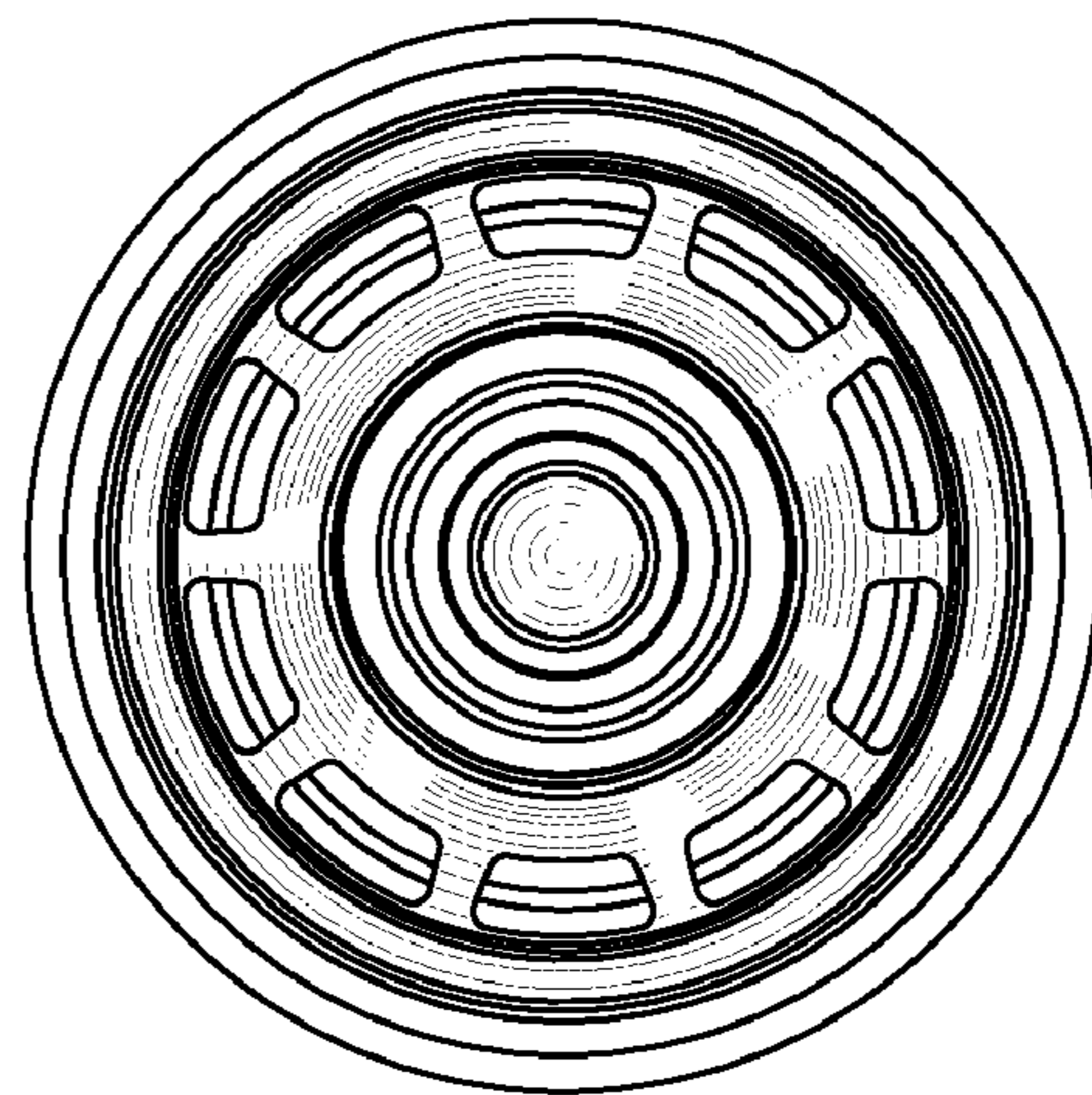


FIG. 7