



US00D629533S

(12) **United States Design Patent**  
**Ward et al.**

(10) **Patent No.:** **US D629,533 S**

(45) **Date of Patent:** **\*\* Dec. 21, 2010**

(54) **EQUIPMENT SUPPORT**

(75) Inventors: **Charles Barry Ward**, Alpharetta, GA (US); **Kenneth Bertoli**, Canton, GA (US)

(73) Assignee: **Diversitech Corporation**, Duluth, GA (US)

(\*\*) Term: **14 Years**

(21) Appl. No.: **29/321,756**

(22) Filed: **Jul. 23, 2008**

(51) **LOC (9) Cl.** ..... **25-99**

(52) **U.S. Cl.** ..... **D25/199**

(58) **Field of Classification Search** ..... 248/676,  
248/678, 127, 151, 346.5; D13/199; D25/199;  
D8/374

See application file for complete search history.

(56) **References Cited**

**U.S. PATENT DOCUMENTS**

1,363,152	A *	12/1920	Murray et al.	.....	248/676
3,258,236	A *	6/1966	Moritz	.....	248/127
3,317,069	A *	5/1967	Chin	.....	215/353
D309,308	S *	7/1990	Webb	.....	D15/7
D313,418	S *	1/1991	Webb	.....	D15/7
D322,970	S *	1/1992	Webb	.....	D15/9.1
D404,992	S *	2/1999	Sittig	.....	D8/374
5,878,984	A *	3/1999	Grieser et al.	.....	248/188.8
D423,340	S *	4/2000	Sittig	.....	D8/374
6,135,410	A *	10/2000	Harrison	.....	248/346.01
D493,095	S *	7/2004	Sittig	.....	D8/374
D493,096	S *	7/2004	Sittig	.....	D8/374
6,923,419	B2 *	8/2005	George et al.	.....	248/676
D550,069	S *	9/2007	Milligan	.....	D8/374
D555,569	S *	11/2007	Buettner	.....	D12/223
D560,250	S	1/2008	Flentye et al.		
D560,260	S *	1/2008	Flentye et al.	.....	D21/694
7,334,421	B1 *	2/2008	Cantolino	.....	62/259.1

2003/0047658	A1 *	3/2003	Peter et al.	.....	248/346.01
2003/0183741	A1 *	10/2003	Milner	.....	248/679
2005/0035267	A1 *	2/2005	Stansbury	.....	248/677
2007/0090234	A1 *	4/2007	Liao	.....	248/127
2007/0187564	A1 *	8/2007	McGuire	.....	248/346.5
2007/0235616	A1 *	10/2007	Gross et al.	.....	248/346.5
2007/0253616	A1	11/2007	Gross et al.		
2008/0135693	A1 *	6/2008	Naporano	.....	248/121
2009/0090835	A1 *	4/2009	Harrison	.....	248/346.03
2009/0179122	A1 *	7/2009	Inzero	.....	248/157
2009/0212177	A1 *	8/2009	Beasley	.....	248/127

\* cited by examiner

*Primary Examiner*—T. Chase Nelson

*Assistant Examiner*—Ania K Dworzecka

(74) *Attorney, Agent, or Firm*—Smith, Gambrell & Russell

(57) **CLAIM**

The ornamental design for an equipment support, as shown and described.

**DESCRIPTION**

FIG. 1 is a top perspective view of a first embodiment of an equipment support of the present invention;

FIG. 2 is a bottom perspective view thereof;

FIG. 3 is a front elevation view thereof;

FIG. 4 is a top plan view thereof;

FIG. 5 is a bottom plan view thereof;

FIG. 6 is a top perspective view of a second embodiment of an equipment support of the present invention;

FIG. 7 is a bottom perspective view thereof;

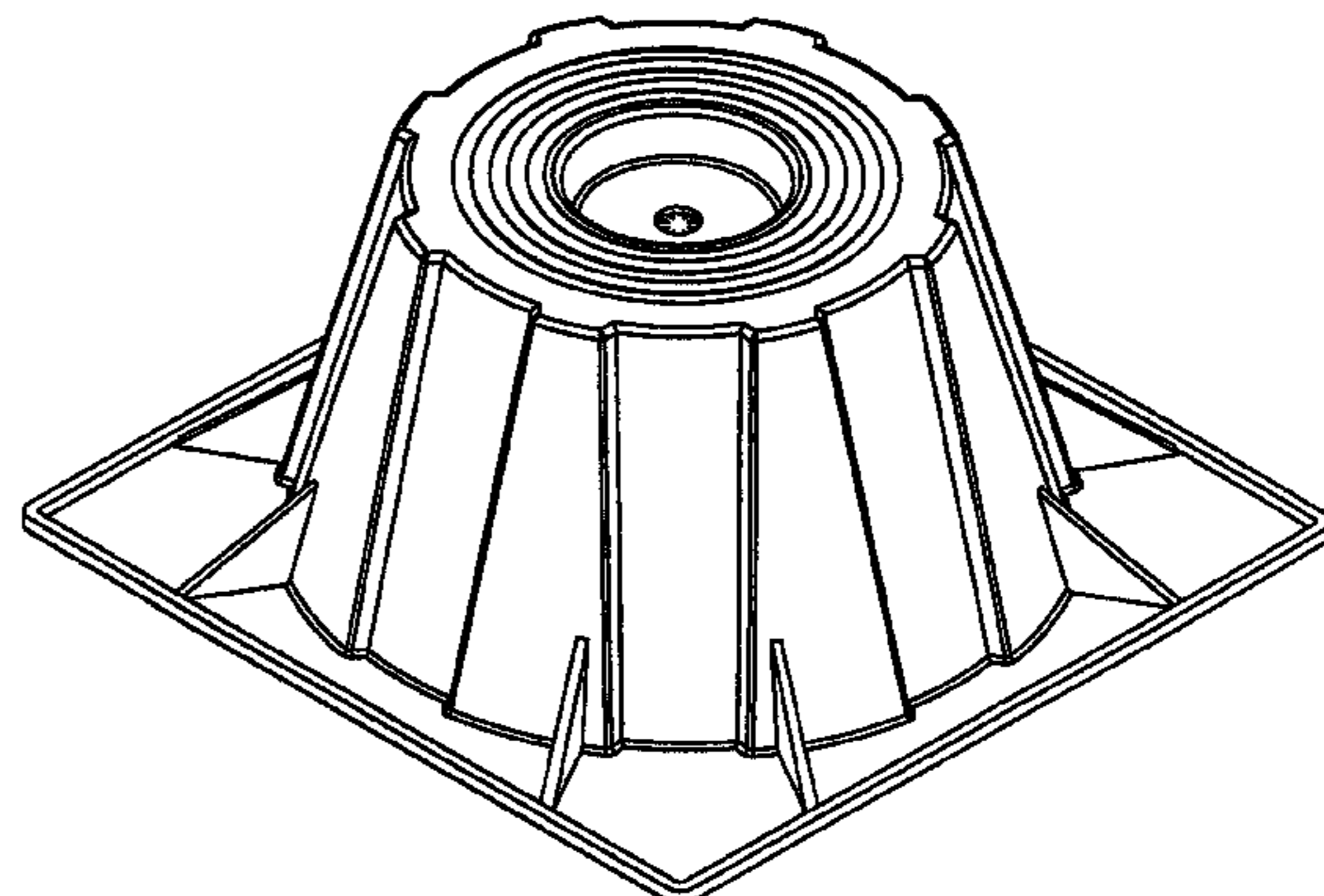
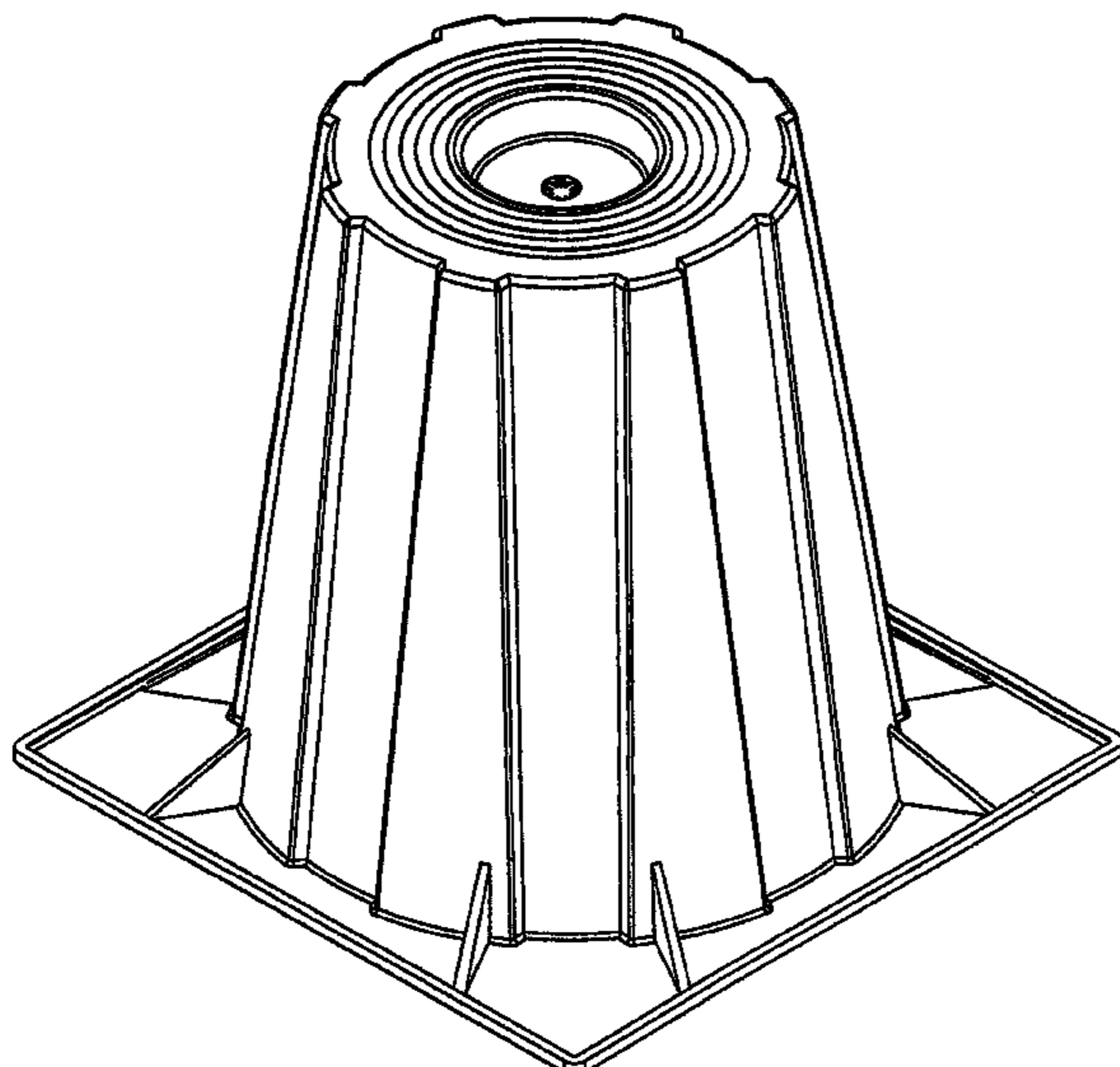
FIG. 8 is a front elevation view thereof;

FIG. 9 is a top plan view thereof; and,

FIG. 10 is a bottom plan view thereof.

The broken lines shown in FIGS. 5 and 10 are for illustrative purposes only and form no part of the claimed design.

**1 Claim, 10 Drawing Sheets**



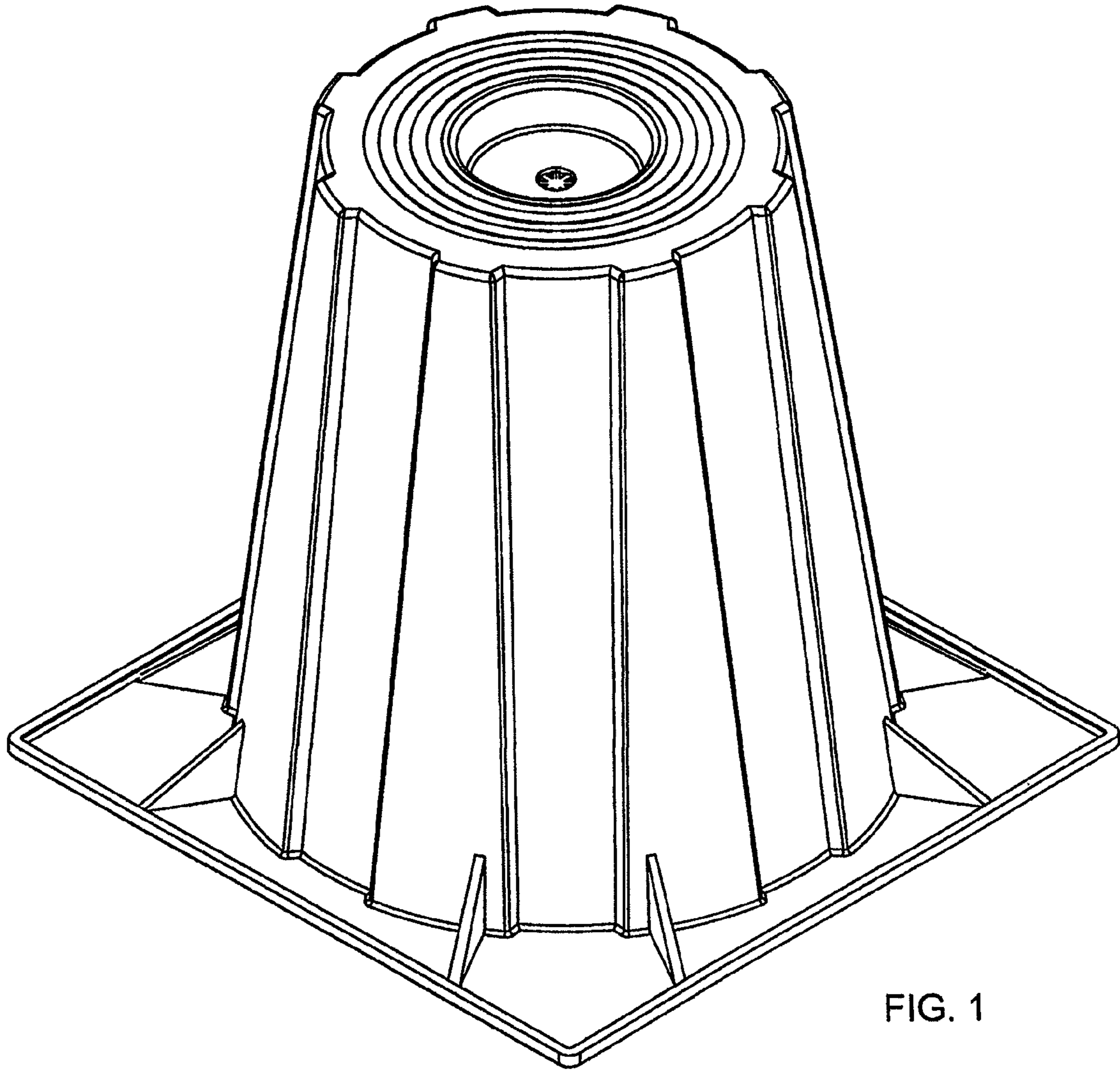


FIG. 1

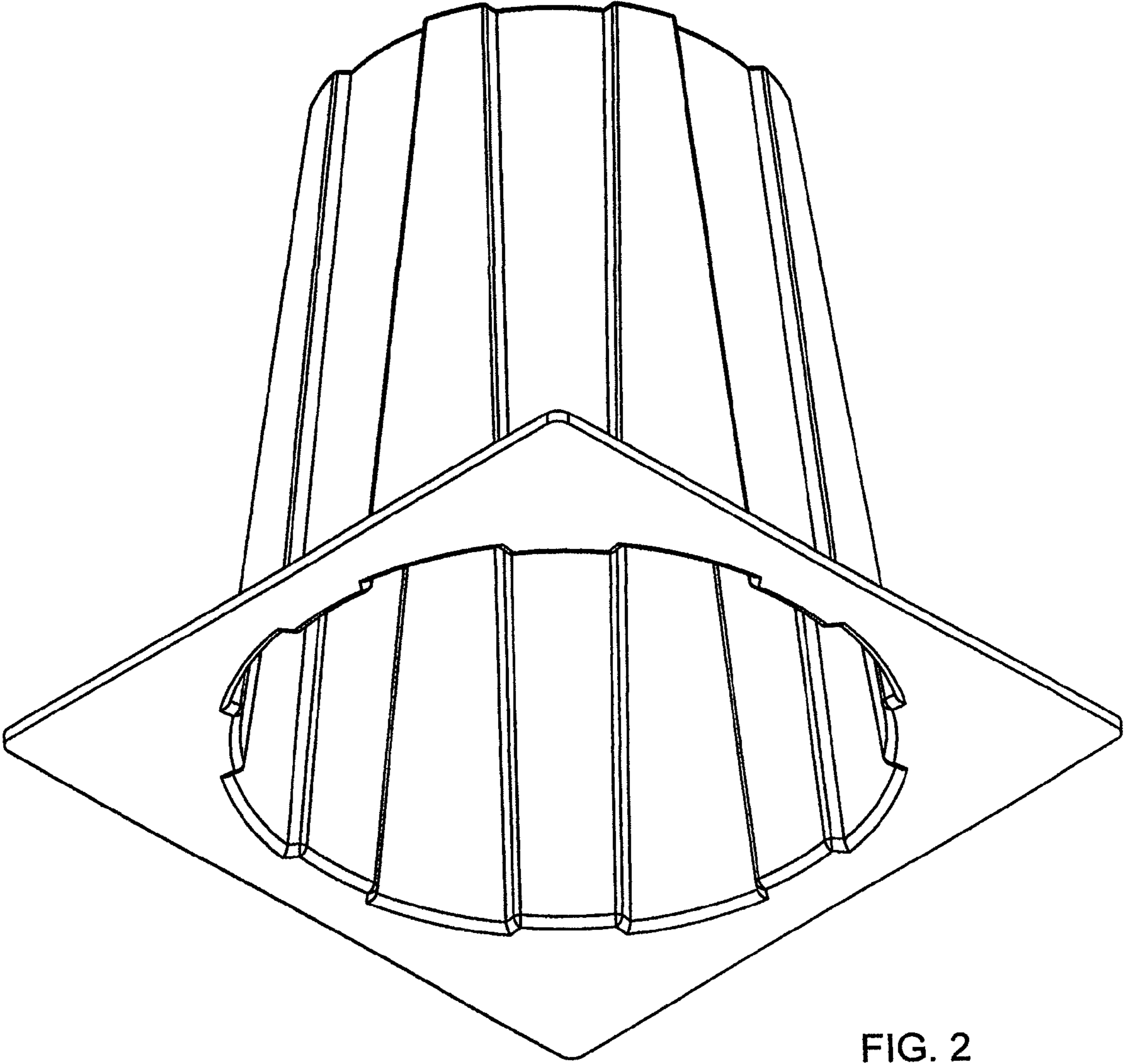


FIG. 2

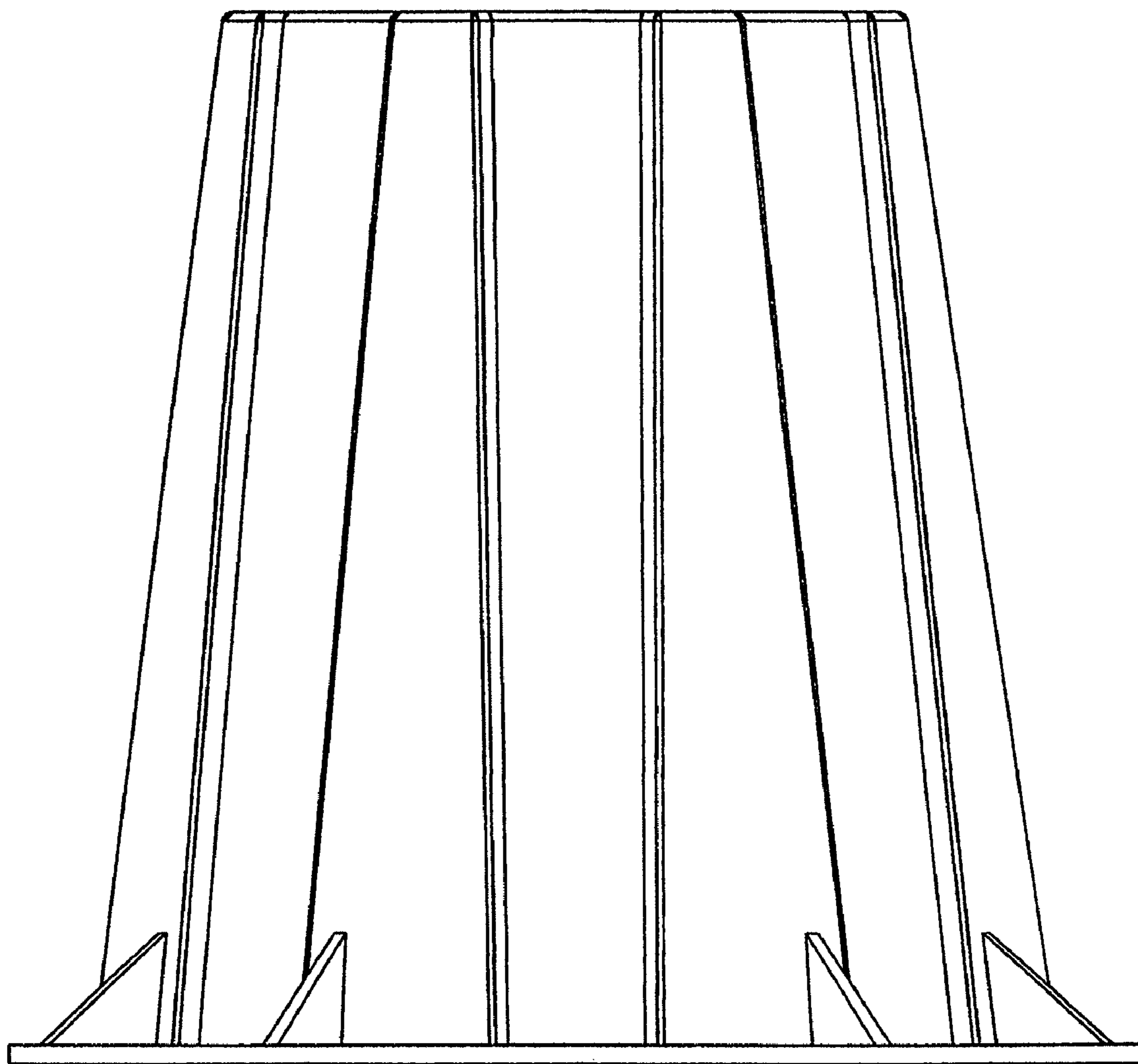


FIG. 3

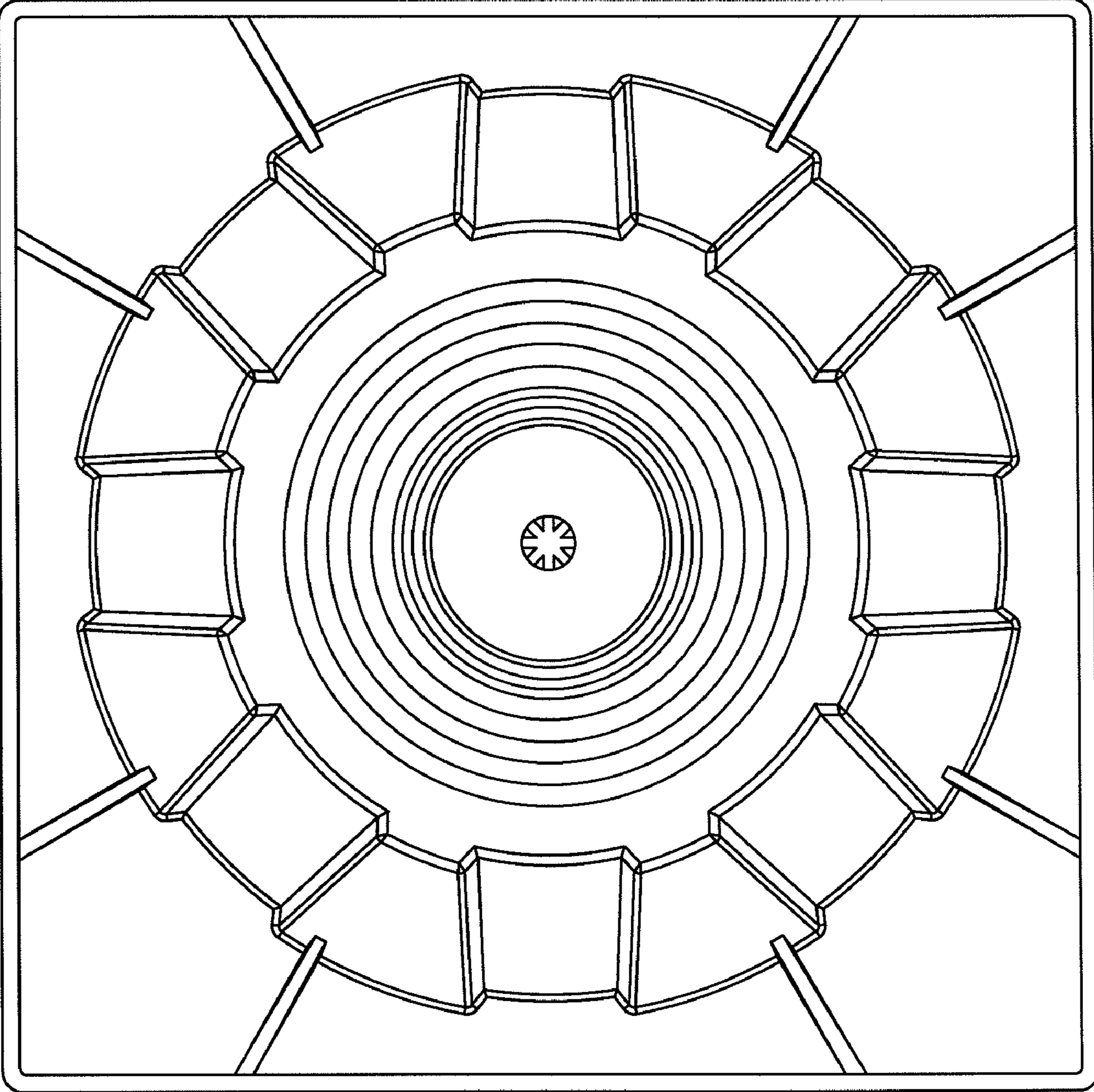


FIG. 4

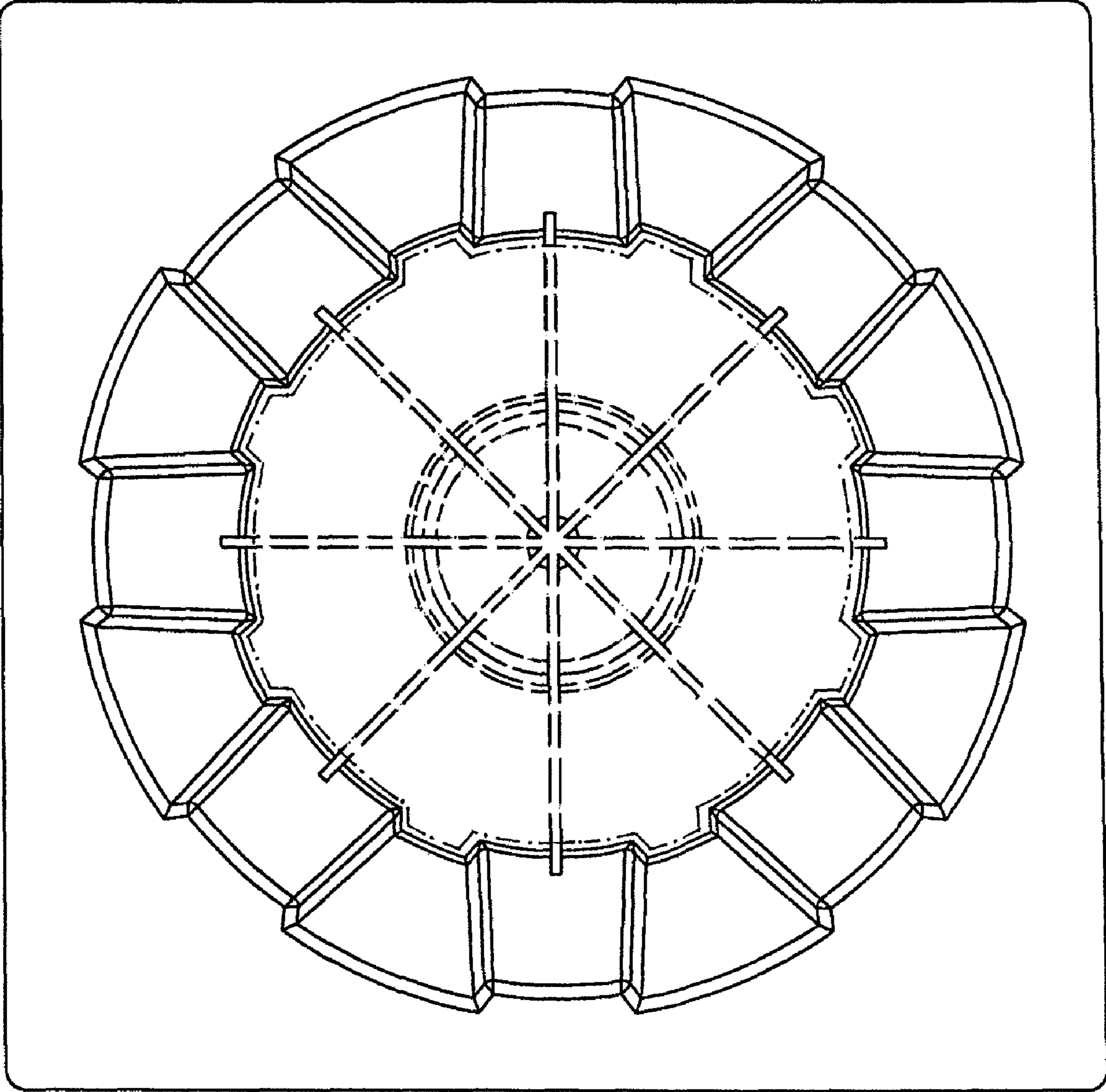


FIG. 5

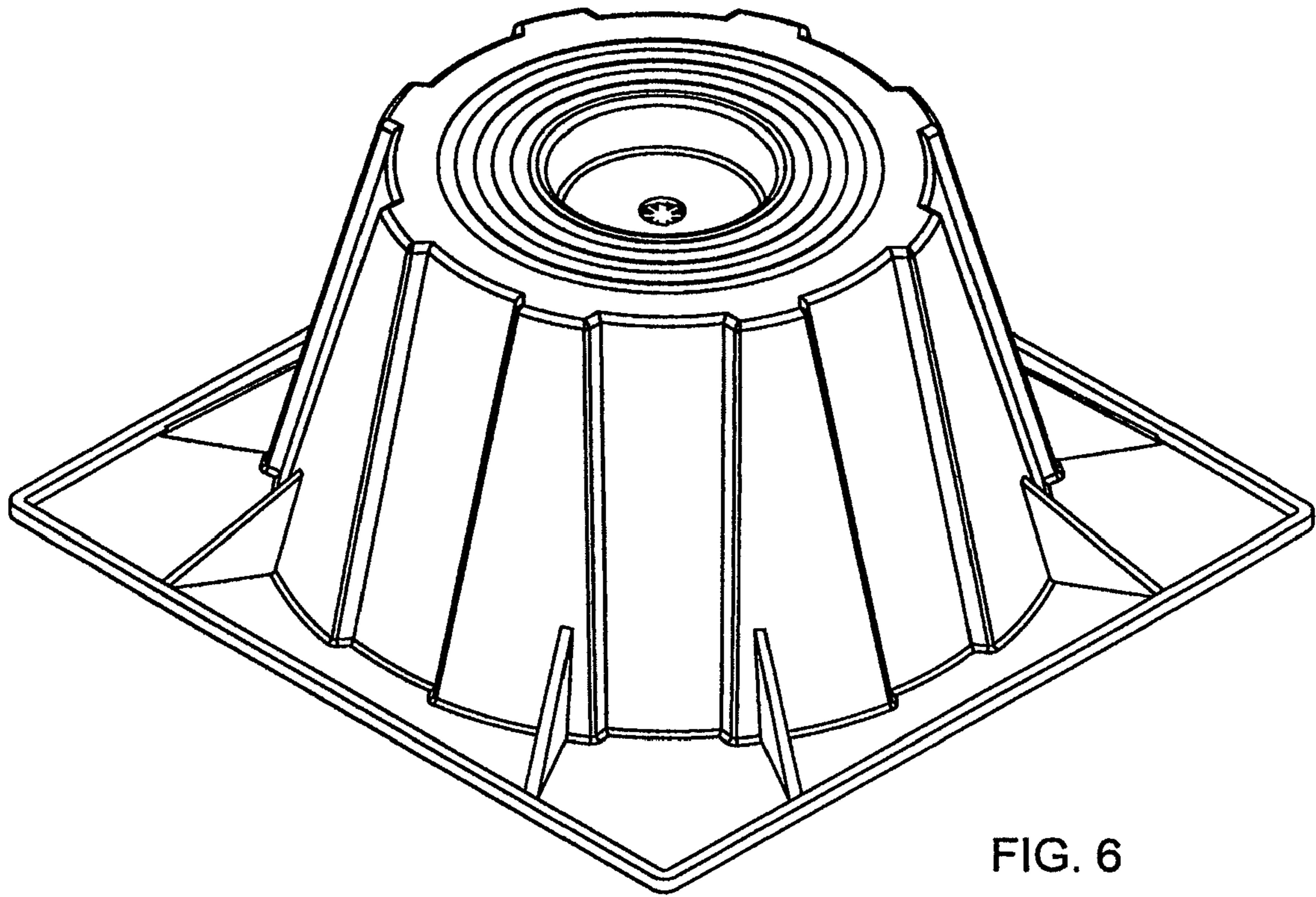


FIG. 6

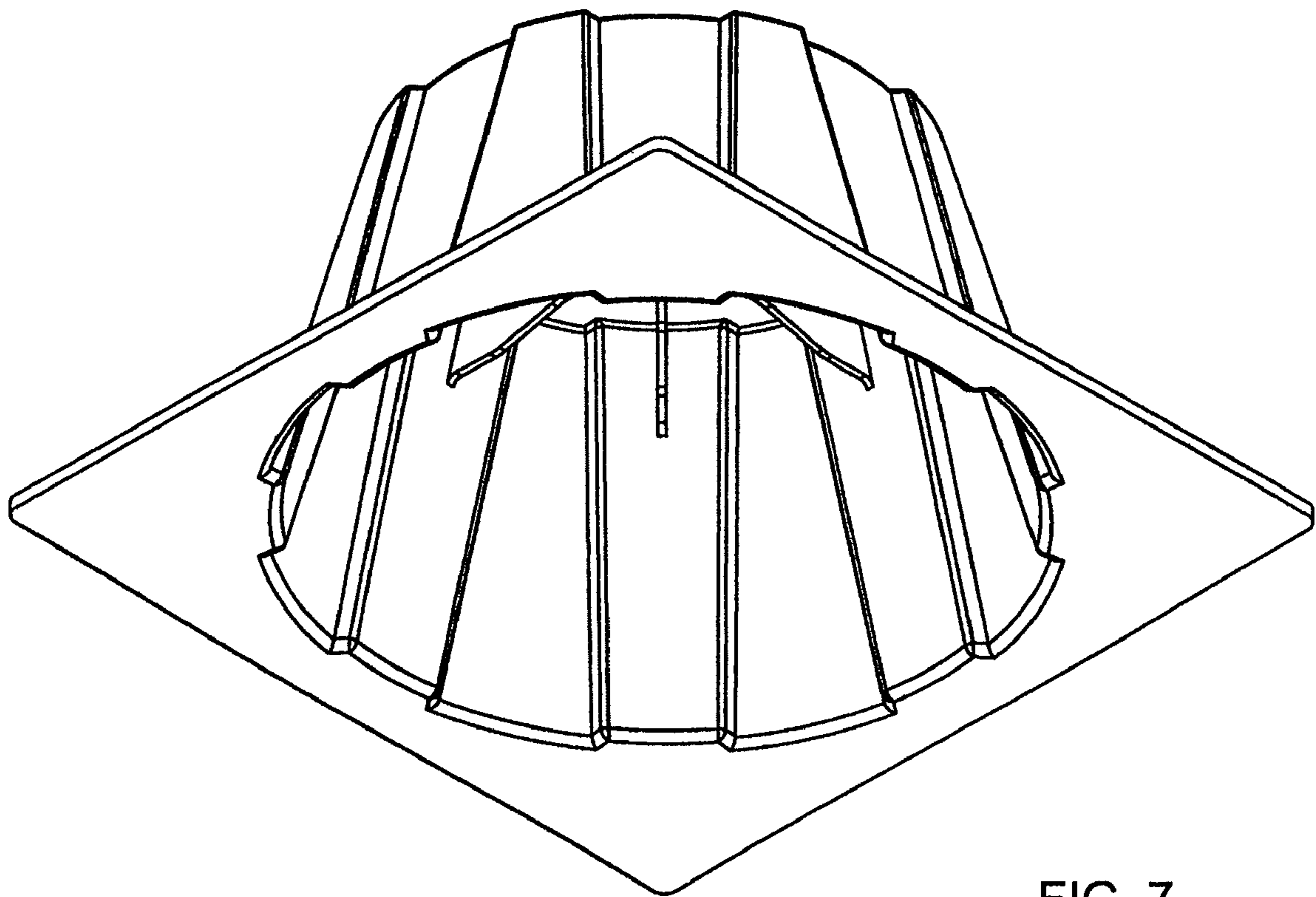


FIG. 7



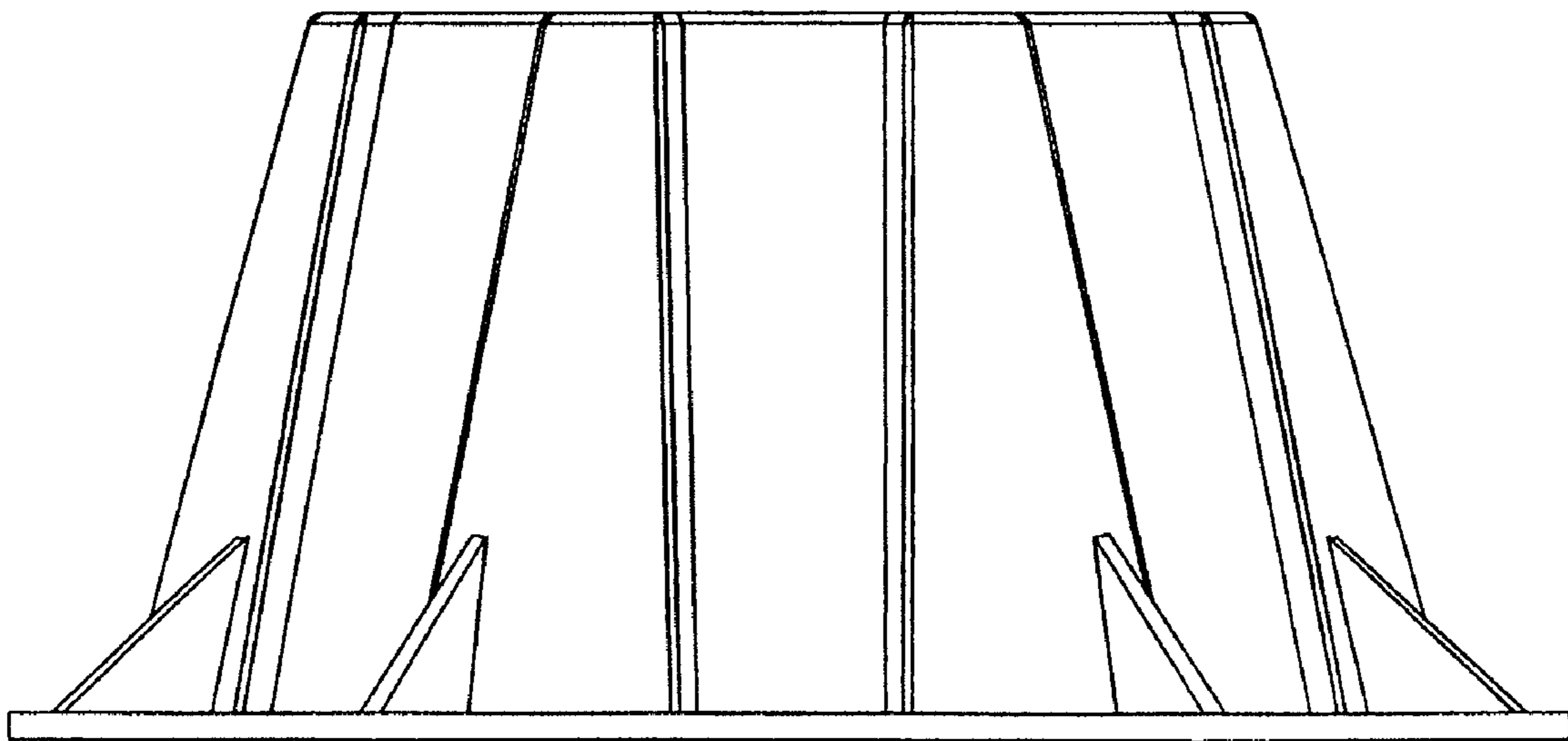


FIG. 8

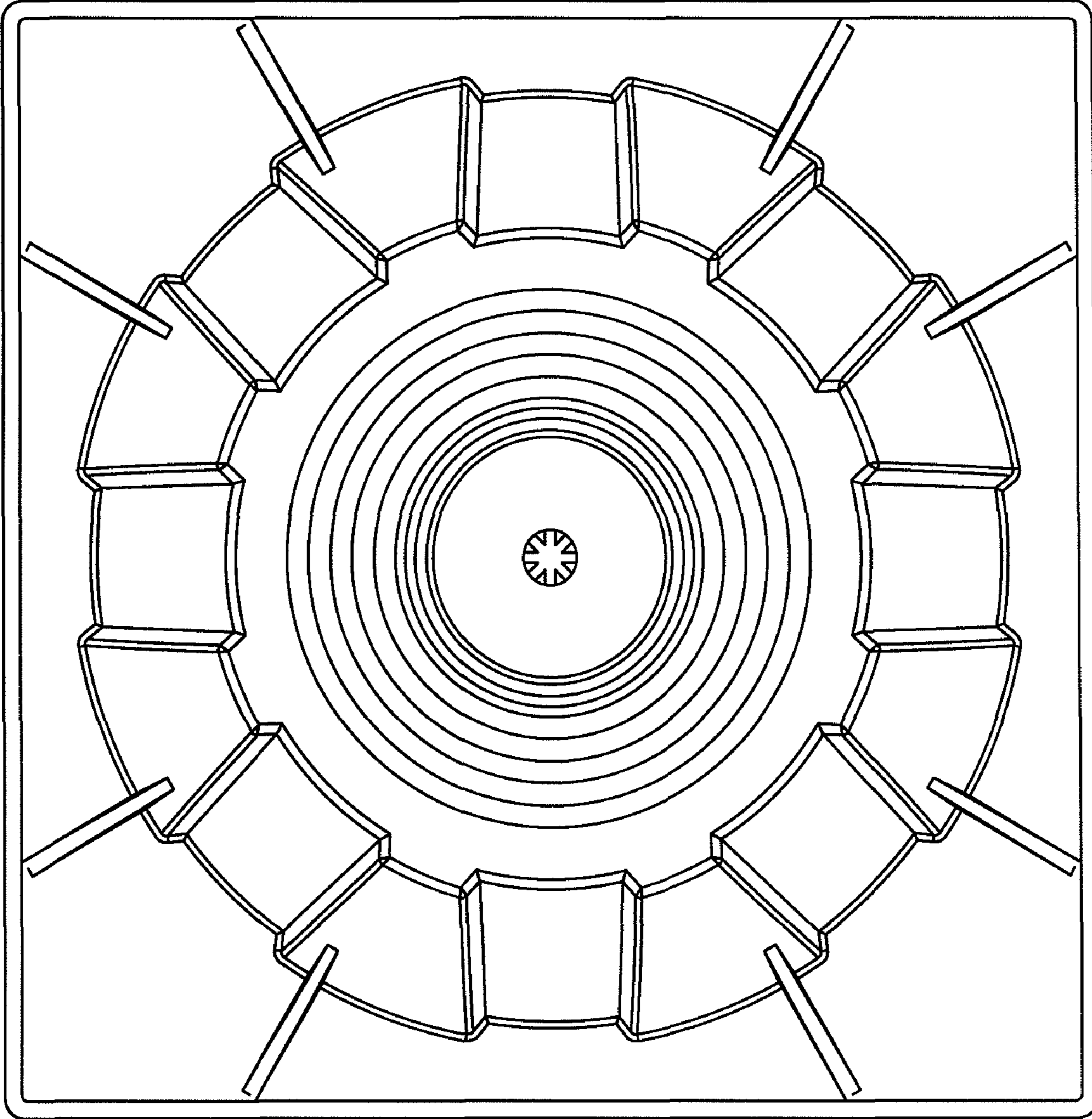


FIG. 9

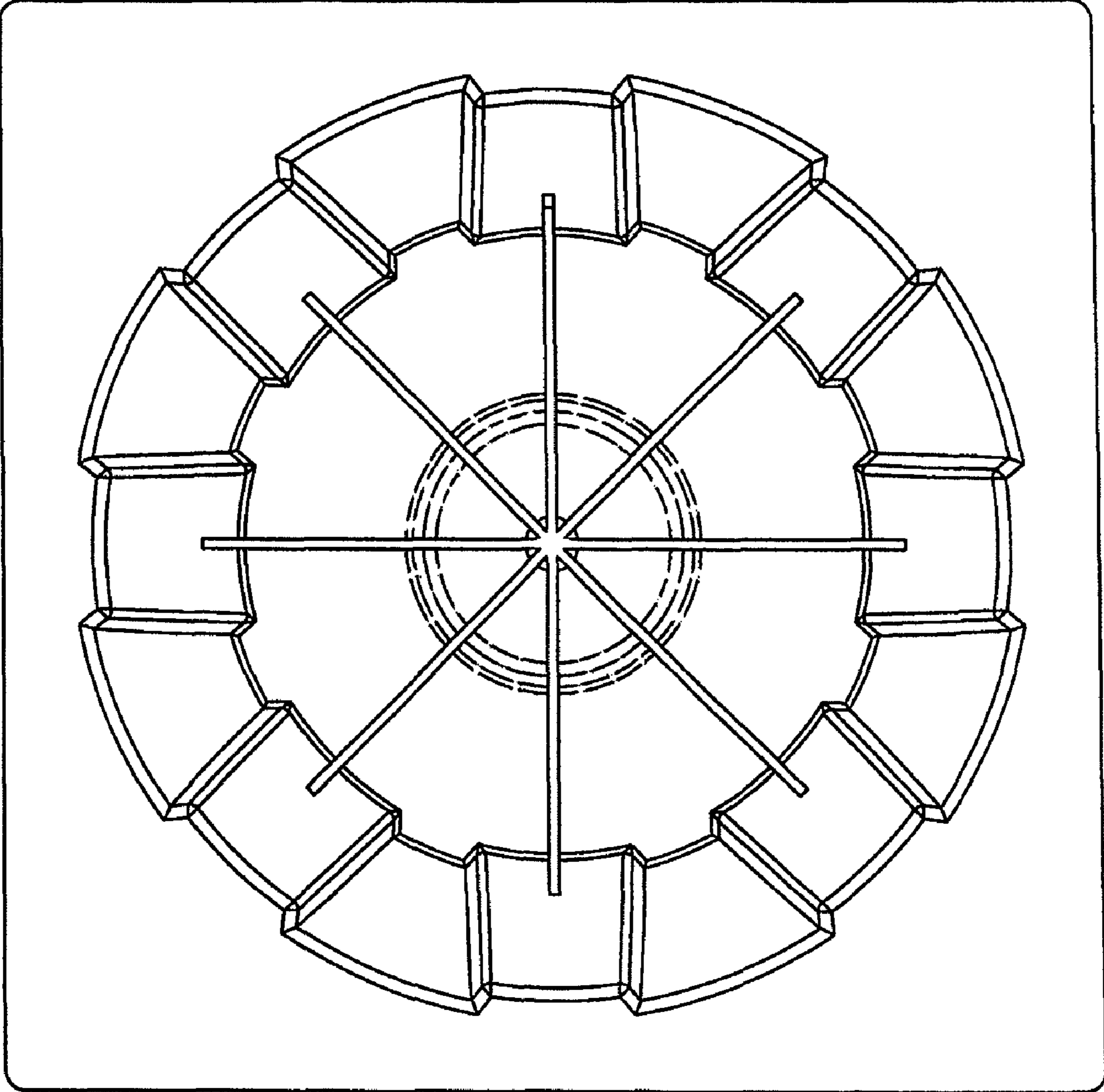


FIG. 10