



US00D629531S

(12) **United States Design Patent**  
**Keel et al.**

(10) **Patent No.:** **US D629,531 S**  
(45) **Date of Patent:** **\*\* Dec. 21, 2010**

(54) **CENTRIFUGALLY CAST DUCTILE IRON  
UTILITY POLE HAVING STEPPED  
PORTIONS**

(75) Inventors: **Michael C. Keel**, Birmingham, AL (US);  
**Joseph F. Carter**, Warsaw, OH (US);  
**Keith W. Mallett**, Newark, OH (US);  
**Steven G. Meisel**, Coshocton, OH (US)

(73) Assignee: **McWane Global**, Birmingham, AL (US)

(\*\*) Term: **14 Years**

(21) Appl. No.: **29/333,095**

(22) Filed: **Mar. 3, 2009**

(51) **LOC (9) Cl.** ..... **25-01**

(52) **U.S. Cl.** ..... **D25/126**

(58) **Field of Classification Search** ..... 174/45 R;  
52/2.21, 93.1, 223.4, 726.4, 831; D25/126  
See application file for complete search history.

(56) **References Cited**

U.S. PATENT DOCUMENTS

122,656 A	1/1872	Rogers	
232,360 A	9/1880	Milliken	
295,905 A *	4/1884	Brott .....	52/834
415,324 A	11/1889	Greene	
538,835 A	5/1895	Kneass	
1,329,295 A	1/1920	De Lavaud	
1,675,716 A	7/1928	Losey	
1,810,091 A	6/1931	Siegle	
2,066,419 A *	1/1937	Pfistershammer .....	52/843
3,456,712 A	7/1969	Schuh	
3,509,678 A *	5/1970	Dake .....	248/218.4
3,612,154 A	10/1971	Denyszyn et al.	
3,713,262 A	1/1973	Jatcko	
4,317,271 A	3/1982	Chakravarti	
4,405,398 A	9/1983	Rother et al.	
4,436,781 A	3/1984	Rother et al.	
4,448,610 A	5/1984	Bellocci	
D384,756 S *	10/1997	Wilmotte .....	D25/126
5,704,187 A	1/1998	Hosford et al.	
5,784,851 A	7/1998	Waugh	

D404,505 S *	1/1999	Welsch .....	D25/126
6,335,065 B1	1/2002	Steinlage et al.	
6,399,881 B2	6/2002	Edelstein	
6,467,233 B1	10/2002	Maliszewski et al.	
6,468,003 B2	10/2002	Merjan et al.	
6,932,143 B2	8/2005	Noble	
D541,956 S *	5/2007	Paharik et al. ....	D25/126
7,237,312 B2	7/2007	Enns	
7,343,718 B2	3/2008	Foust et al.	
2004/0211148 A1	10/2004	Foust et al.	
2006/0056934 A1	3/2006	Demarest et al.	
2007/0245680 A1	10/2007	Cairo	
2008/0023172 A1	1/2008	Waugh	

(Continued)

FOREIGN PATENT DOCUMENTS

GB	2121708 A	1/1984
----	-----------	--------

(Continued)

*Primary Examiner*—Doris Clark  
(74) *Attorney, Agent, or Firm*—C. Brandon Browning;  
Maynard, Cooper & Gale, PC

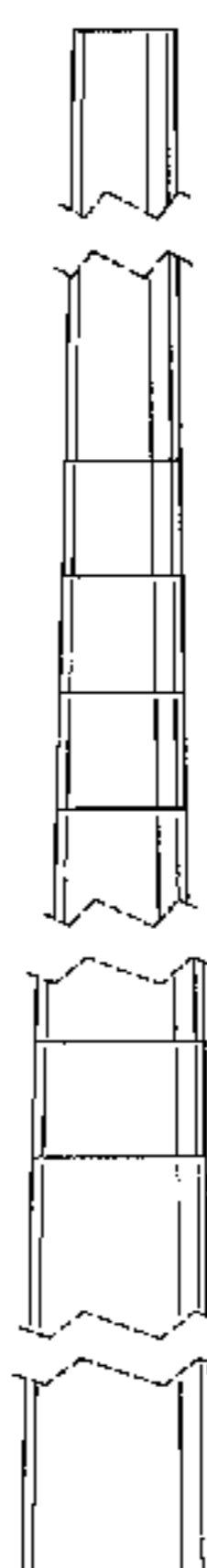
(57) **CLAIM**

The ornamental design for a centrifugally cast ductile iron utility pole having stepped portions, as shown and described.

**DESCRIPTION**

FIG. 1 is an enlarged front elevation view of the present invention, broken at intervals for ease of illustration.  
FIG. 2 is a perspective view thereof; and,  
FIG. 3 is an enlarged elevation view of one of the stepped portions of the centrifugally cast ductile iron utility pole having stepped portions of FIG. 1.

**1 Claim, 2 Drawing Sheets**



# US D629,531 S

Page 2

---

## U.S. PATENT DOCUMENTS

2008/0250752 A1 10/2008 Bowman et al.  
2009/0000227 A1 1/2009 Jakubowski et al.  
2009/0019816 A1 1/2009 Lockwood et al.

JP 2002283025 A 10/2002  
JP 2004058094 A 2/2004  
WO 2008/011298 A2 1/2008

## FOREIGN PATENT DOCUMENTS

JP 61-14060 1/1961

\* cited by examiner

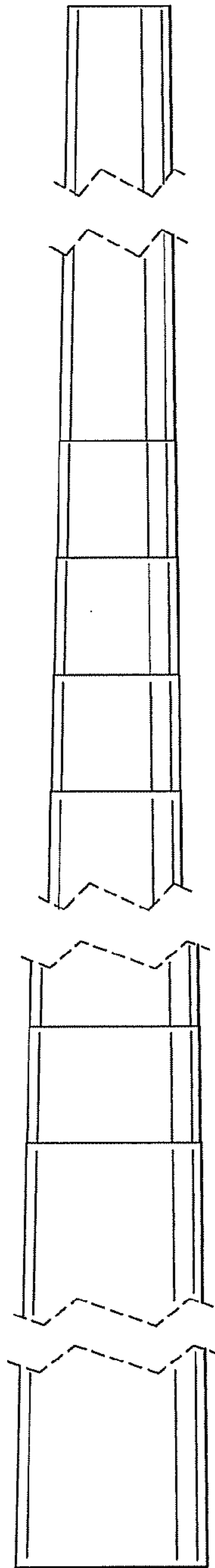


FIG. 1

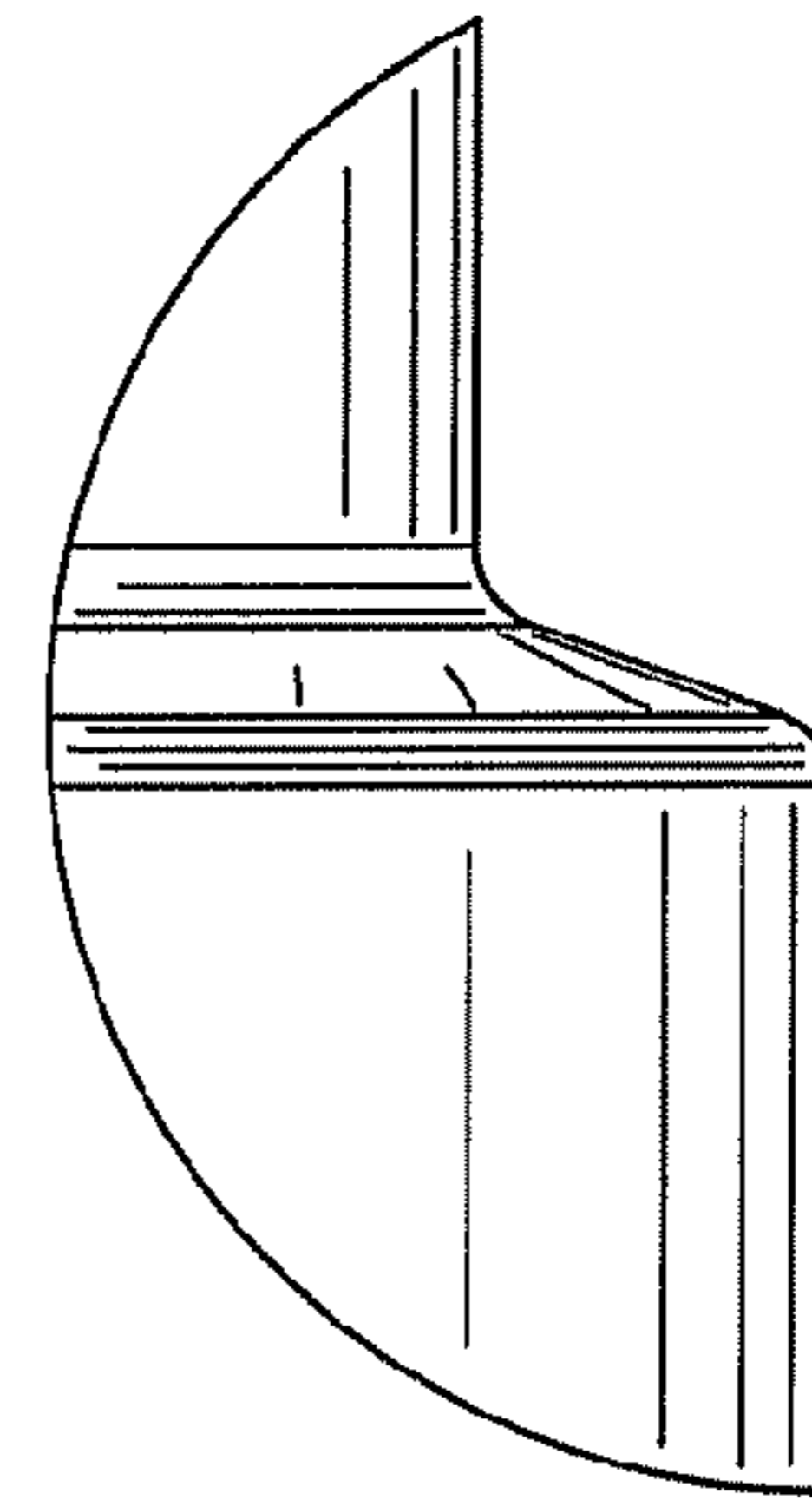
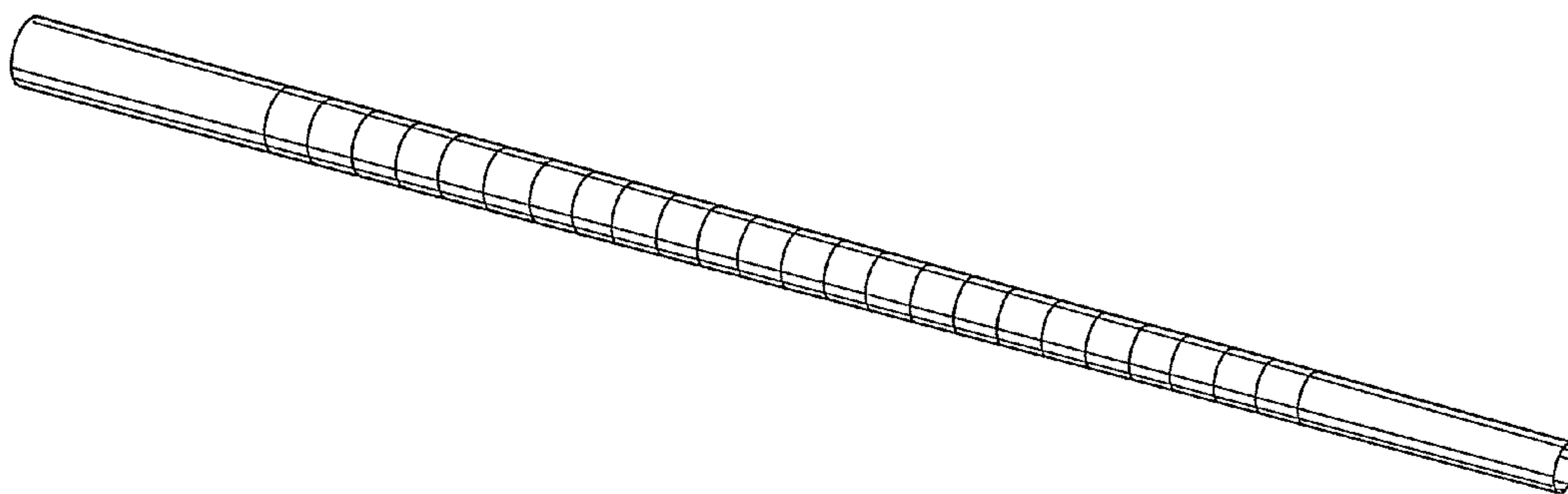


FIG. 3



**FIG. 2**