



US00D629529S

(12) **United States Design Patent**
Russell, II et al.

(10) **Patent No.:** **US D629,529 S**

(45) **Date of Patent:** **** Dec. 21, 2010**

(54) **ULTRAVIOLET SANITIZER**

(75) Inventors: **Hobert E. Russell, II**, Walnut Creek, CA (US); **Joshua S. Fulcher**, Concord, CA (US)

(73) Assignee: **Pilgrim Home and Hearth**, Benicia, CA (US)

(**) Term: **14 Years**

(21) Appl. No.: **29/354,531**

(22) Filed: **Jan. 26, 2010**

(51) **LOC (9) Cl.** **24-01**

(52) **U.S. Cl.** **D24/217**

(58) **Field of Classification Search** D24/216–218;
D6/526, 528, 534; 422/24, 26, 27, 307; 206/207,
206/209, 5.1; 250/455.11; D3/203.1, 203.2,
D3/203.6, 294; D9/418, 432
See application file for complete search history.

(56) **References Cited**

U.S. PATENT DOCUMENTS

D257,489 S	*	11/1980	Thomas et al.	D24/218
D264,377 S	*	5/1982	Thomas et al.	D24/218
D269,999 S	*	8/1983	Hoogesteger	D24/218
D280,015 S	*	8/1985	Sarajian	D24/227
D295,074 S	*	4/1988	Jerge et al.	D24/217
D306,066 S	*	2/1990	Williams et al.	D24/217
D318,329 S	*	7/1991	Porteous	D24/217
D421,309 S	*	2/2000	Riley et al.	D24/217

D501,930 S	*	2/2005	Shin	D24/217
6,972,416 B2	*	12/2005	Huang et al.	250/455.11
7,348,572 B2	*	3/2008	Shin	250/455.11
7,560,706 B1	*	7/2009	Castelluccio	250/455.11

* cited by examiner

Primary Examiner—T. Chase Nelson

Assistant Examiner—Anhdao Doan

(74) *Attorney, Agent, or Firm*—Paul M. Thompson; Cochran Freund & Young LLC

(57) **CLAIM**

The ornamental design for an ultraviolet sanitizer, as shown and described.

DESCRIPTION

FIG. 1 is an isometric view of an ultraviolet sanitizer showing our new design.

FIG. 2 is a front elevation view thereof.

FIG. 3 is a rear elevation view thereof.

FIG. 4 is a right side elevation view thereof.

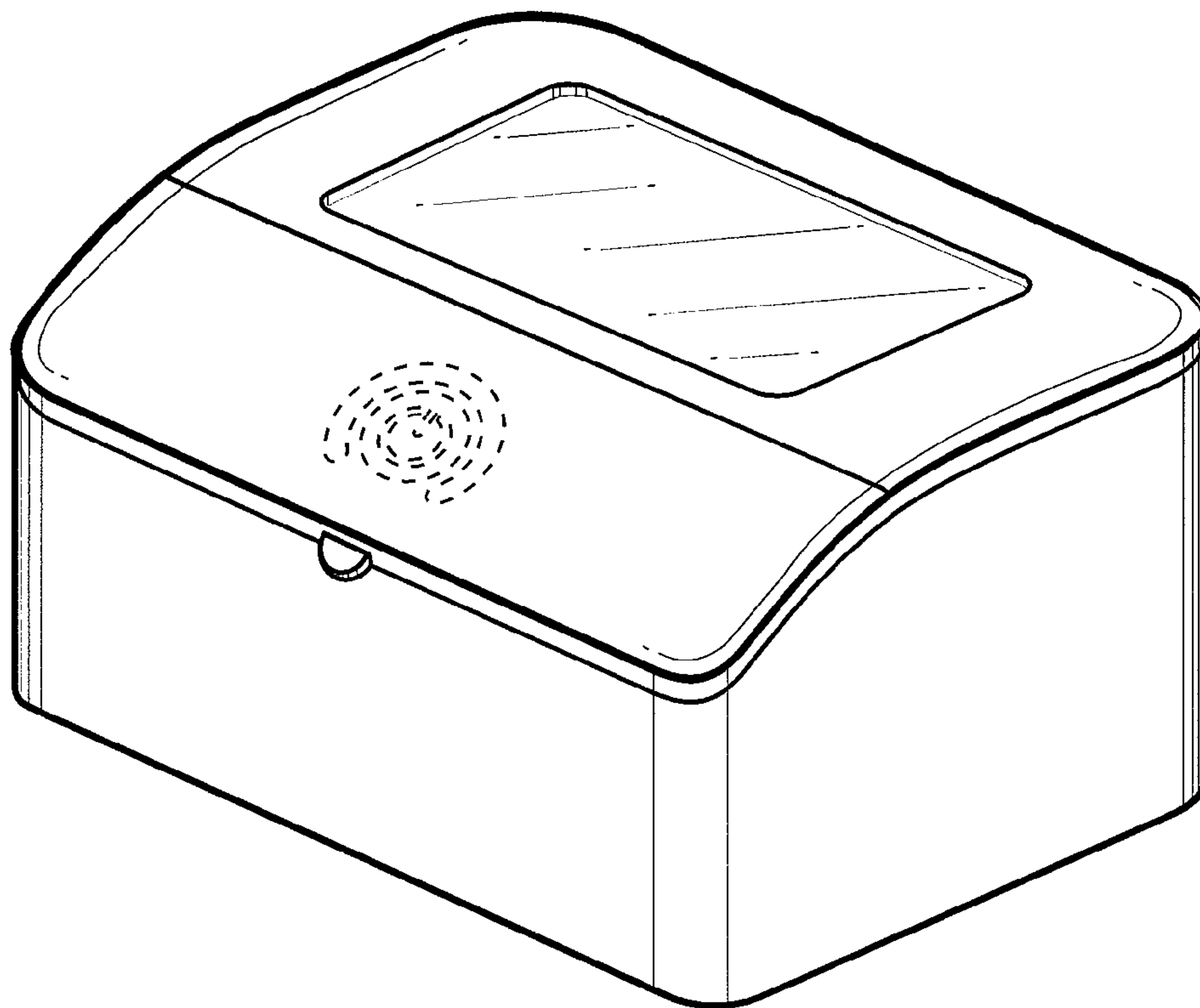
FIG. 5 is a left side elevation view thereof.

FIG. 6 is a top plan view thereof; and,

FIG. 7 is a bottom plan view thereof.

The broken lines in FIGS. 1, 2 and 6 are included for the purpose of illustrating a portion of the ultraviolet sanitizer that forms no part of the claimed design.

1 Claim, 5 Drawing Sheets



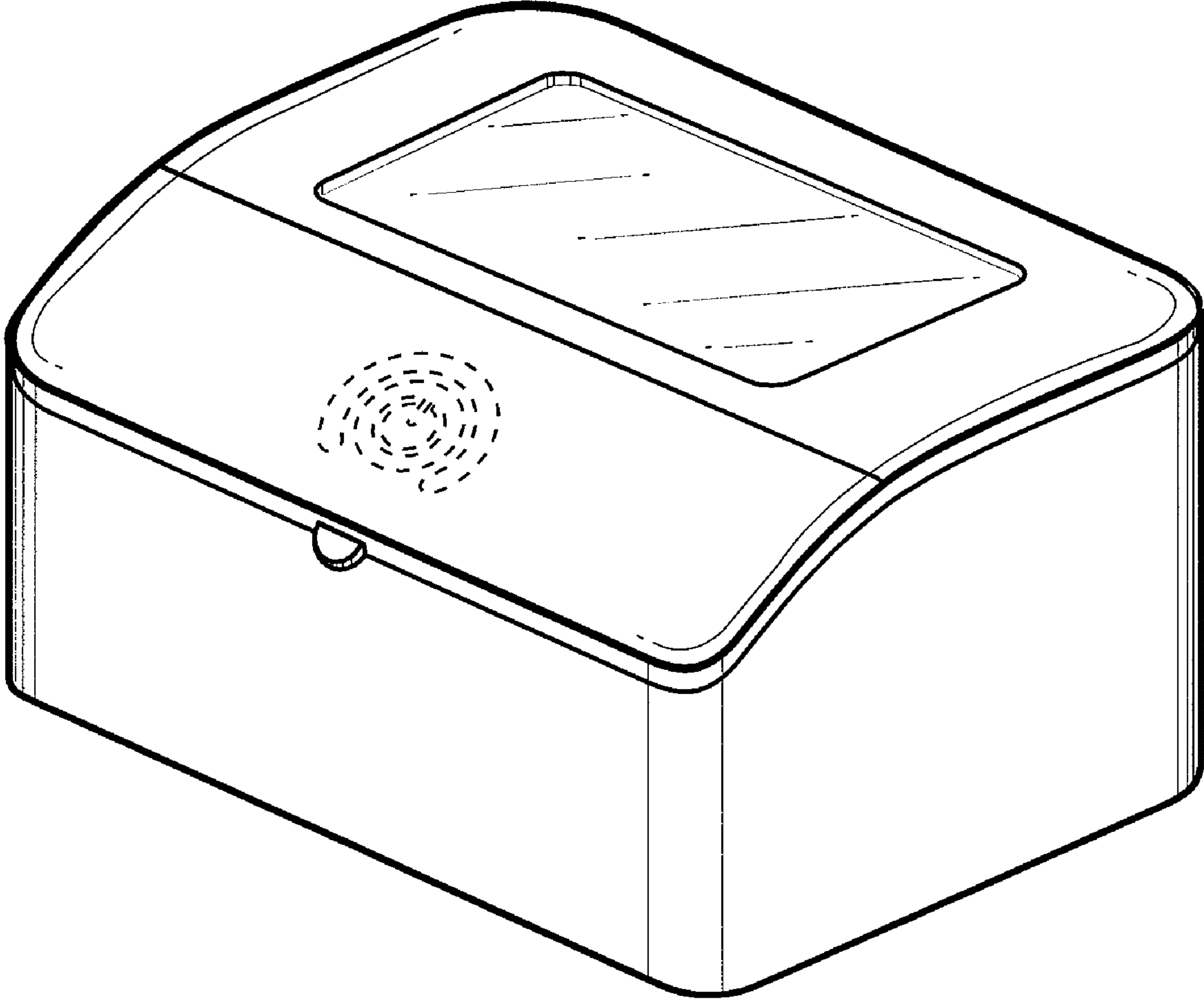


FIG. 1

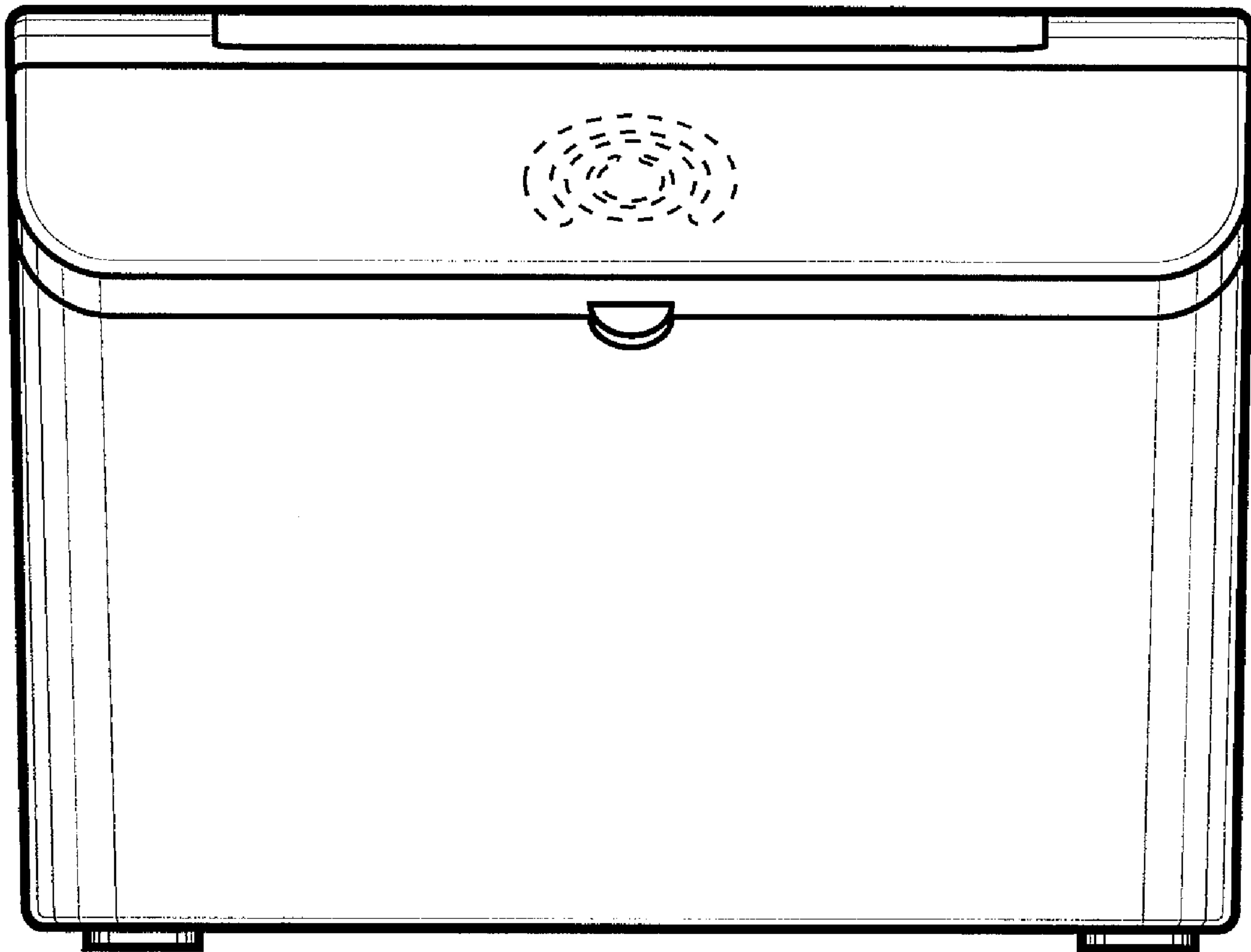


FIG. 2

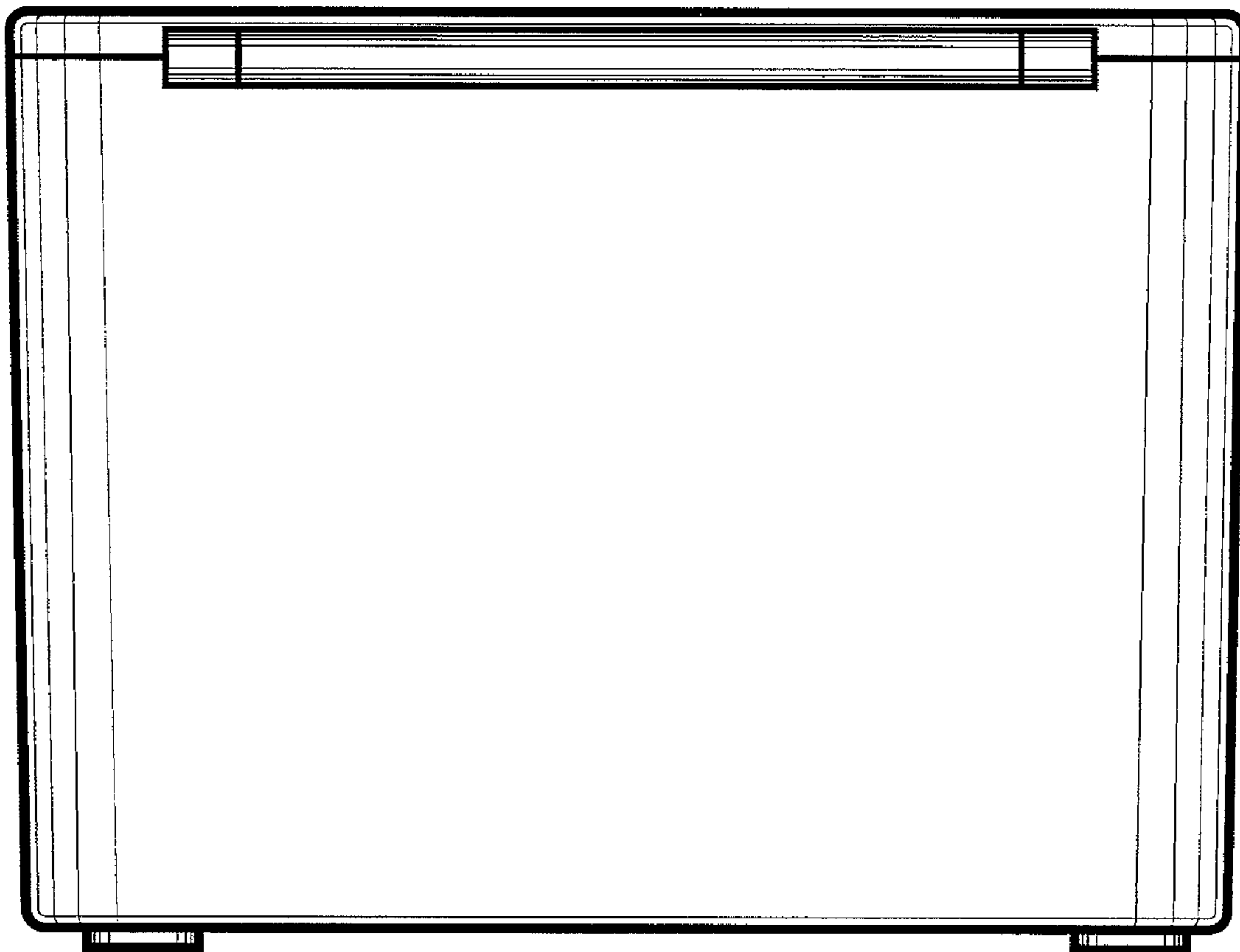


FIG. 3

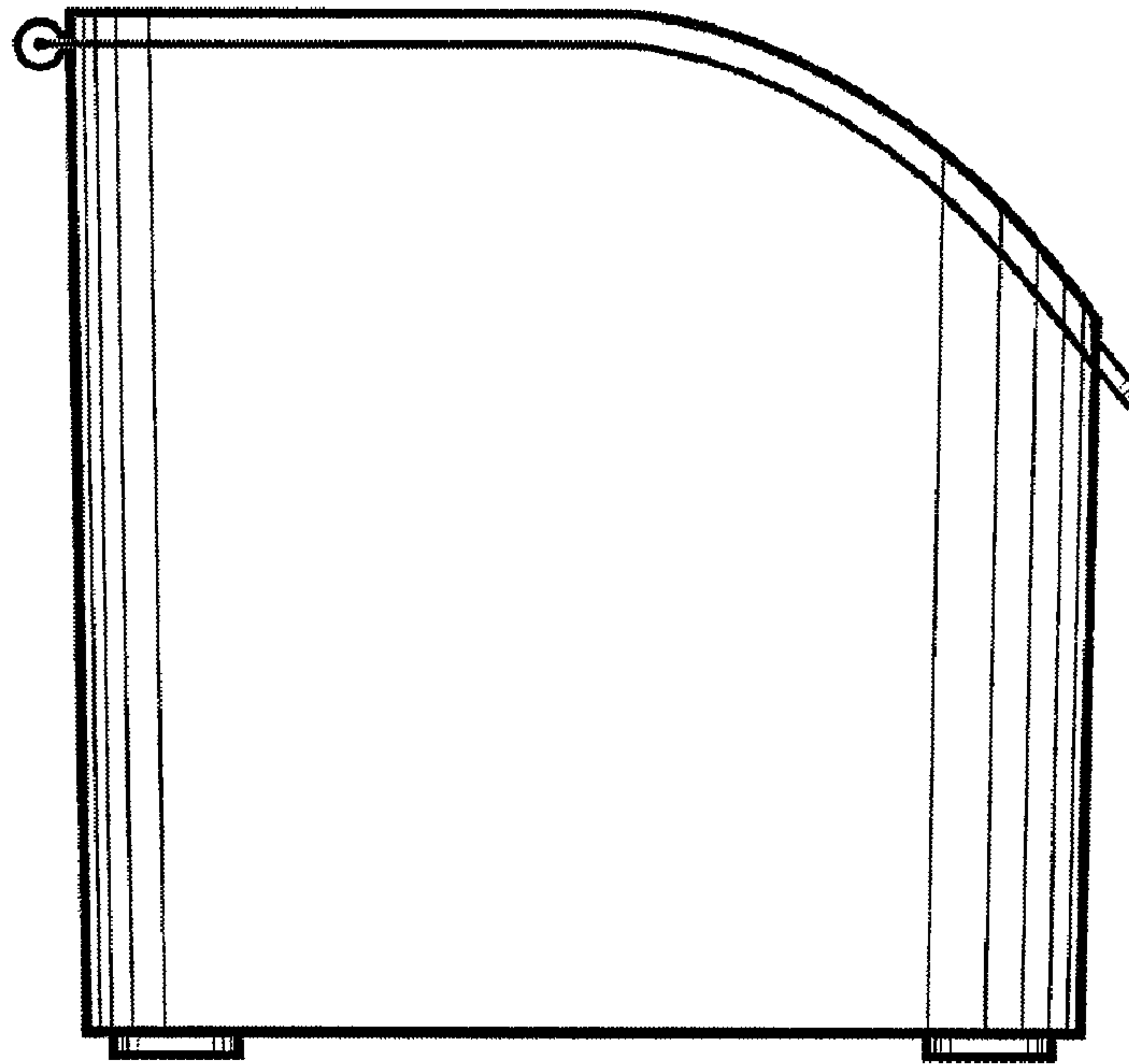


FIG. 4

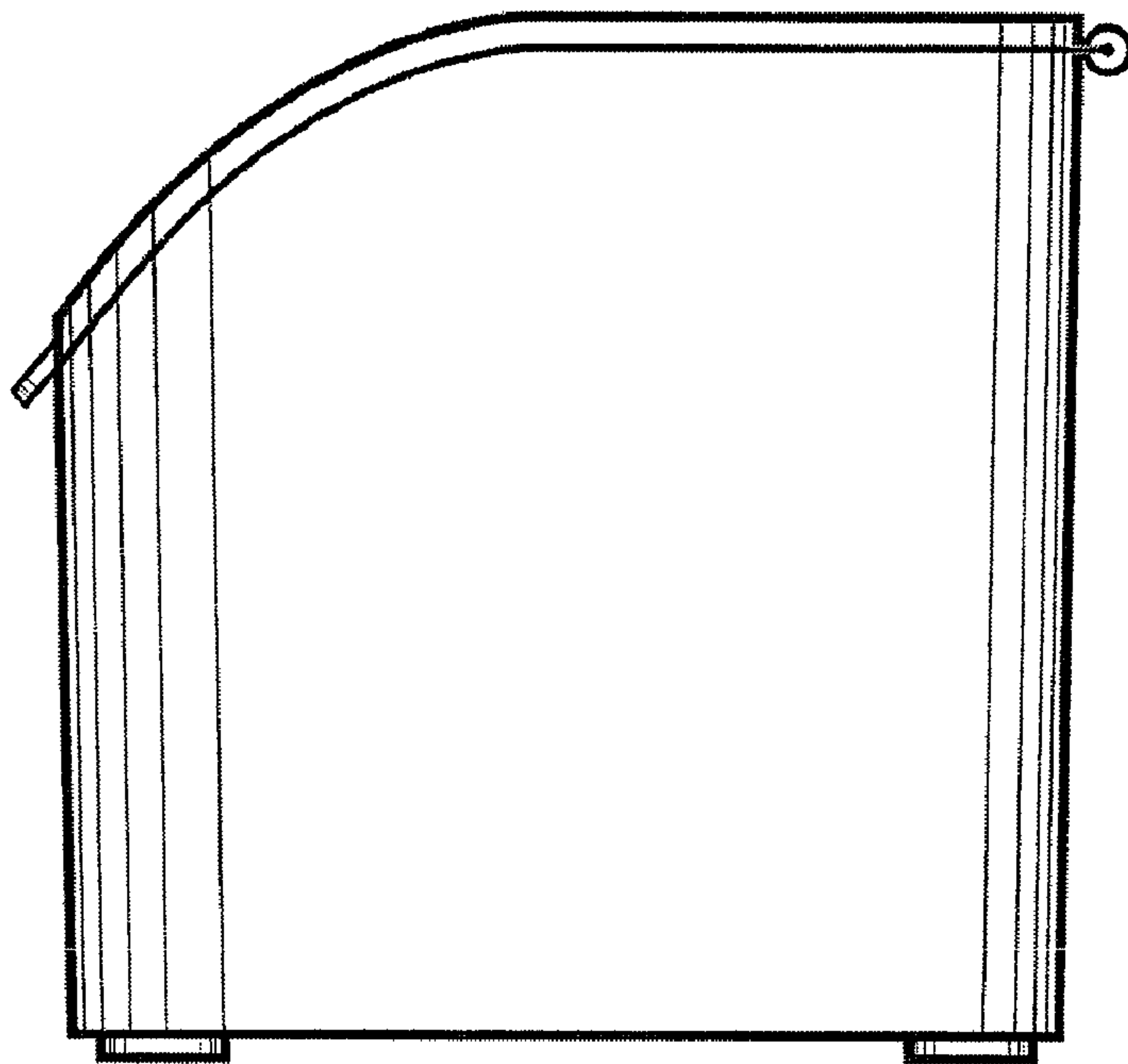


FIG. 5

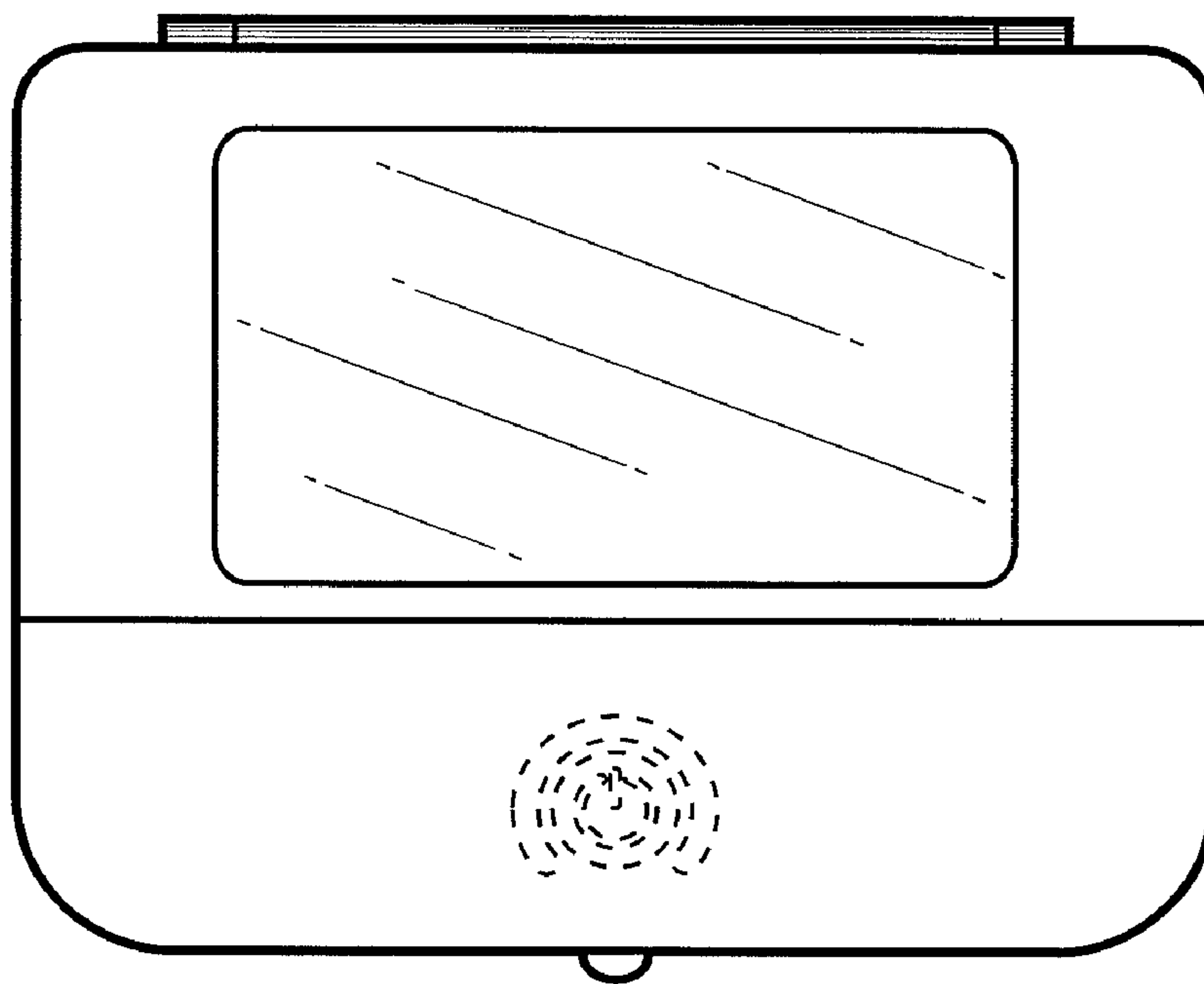


FIG. 6

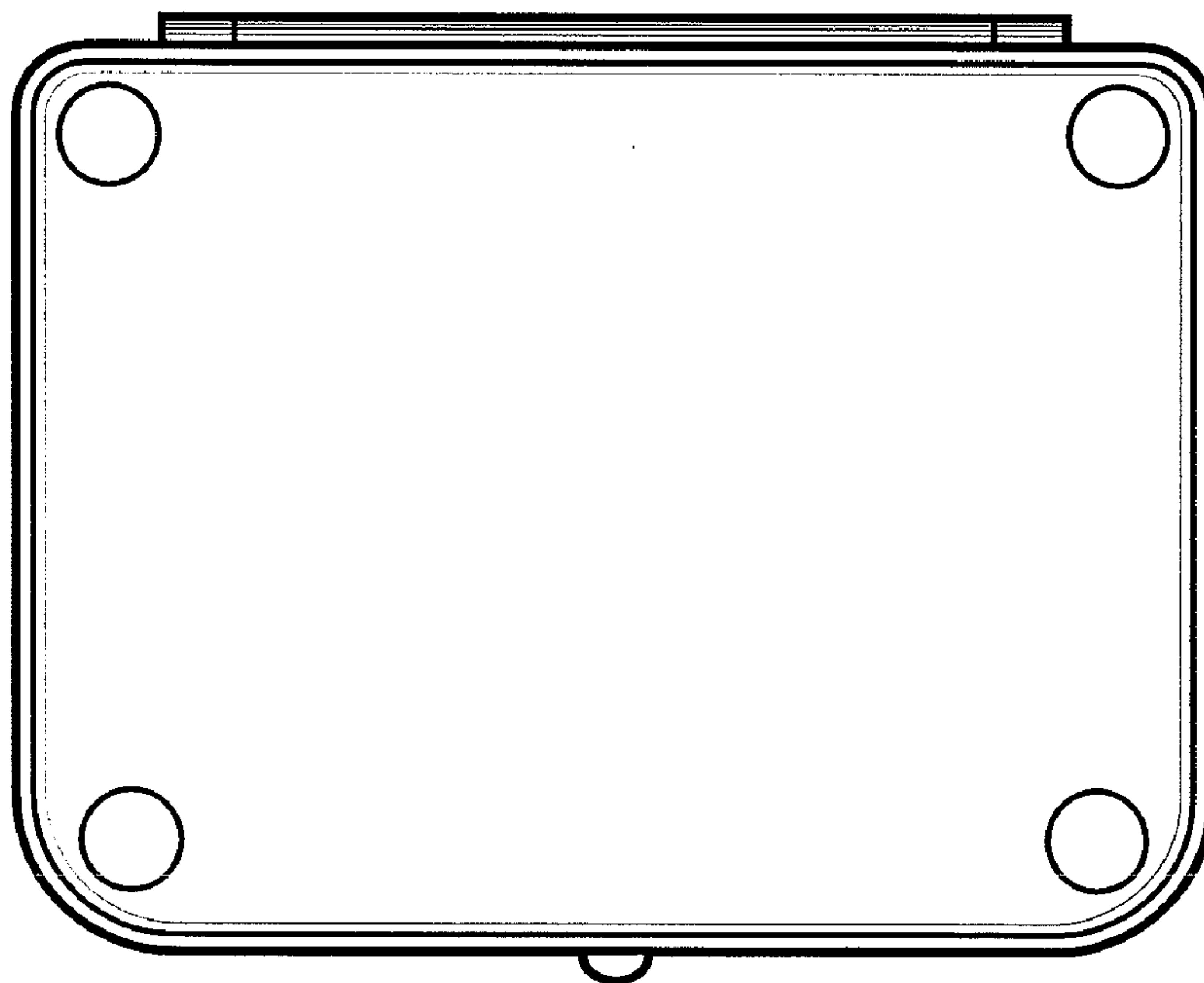


FIG. 7