



US00D629527S

(12) **United States Design Patent**
Crunkilton

(10) **Patent No.:** **US D629,527 S**

(45) **Date of Patent:** **** Dec. 21, 2010**

(54) **ULTRASOUND THERAPY CAP CONNECTION**

D603,050 S * 10/2009 Chen D24/187
D603,520 S * 11/2009 Ninomiya et al. D24/187
D609,814 S * 2/2010 Banryu D24/187
D614,305 S * 4/2010 Al-Ali et al. D24/187

(75) Inventor: **Jeffrey Robert Crunkilton**, Everett, WA (US)

* cited by examiner

(73) Assignee: **Medicis Technologies Corporation**, Bothell, WA (US)

Primary Examiner—T. Chase Nelson
Assistant Examiner—Mark Cavanna

(**) Term: **14 Years**

(74) *Attorney, Agent, or Firm*—Townsend and Townsend and Crew LLP

(21) Appl. No.: **29/363,086**

(57) **CLAIM**

(22) Filed: **Jun. 4, 2010**

The ornamental design for ultrasound therapy cap connection, as shown and described.

(51) **LOC (9) Cl.** **24-02**

(52) **U.S. Cl.** **D24/187**

(58) **Field of Classification Search** D24/107, D24/141, 158, 164, 165, 167, 170, 186–187, D24/231, 129, 138; D10/57, 60, 78, 80; 600/407, 461, 459; 378/98.7, 98.8, 189
See application file for complete search history.

DESCRIPTION

FIG. 1 is a perspective view of a ultrasound therapy cap connection showing our new design, with a hand piece and corresponding connection structure of the hand piece shown in phantom;

(56) **References Cited**

FIG. 2 is a front elevational view thereof;

U.S. PATENT DOCUMENTS

FIG. 3 is a rear elevational view;

- D327,740 S * 7/1992 Arioka et al. D24/186
- D481,125 S * 10/2003 Hayamizu D24/129
- D490,898 S * 6/2004 Hayamizu D24/138
- D498,533 S * 11/2004 Hayamizu D24/138
- D564,659 S * 3/2008 Hayashi D24/138
- D564,660 S * 3/2008 Hayashi D24/138
- D566,284 S * 4/2008 Kitayama et al. D10/60
- D585,556 S * 1/2009 Kosaku D24/186

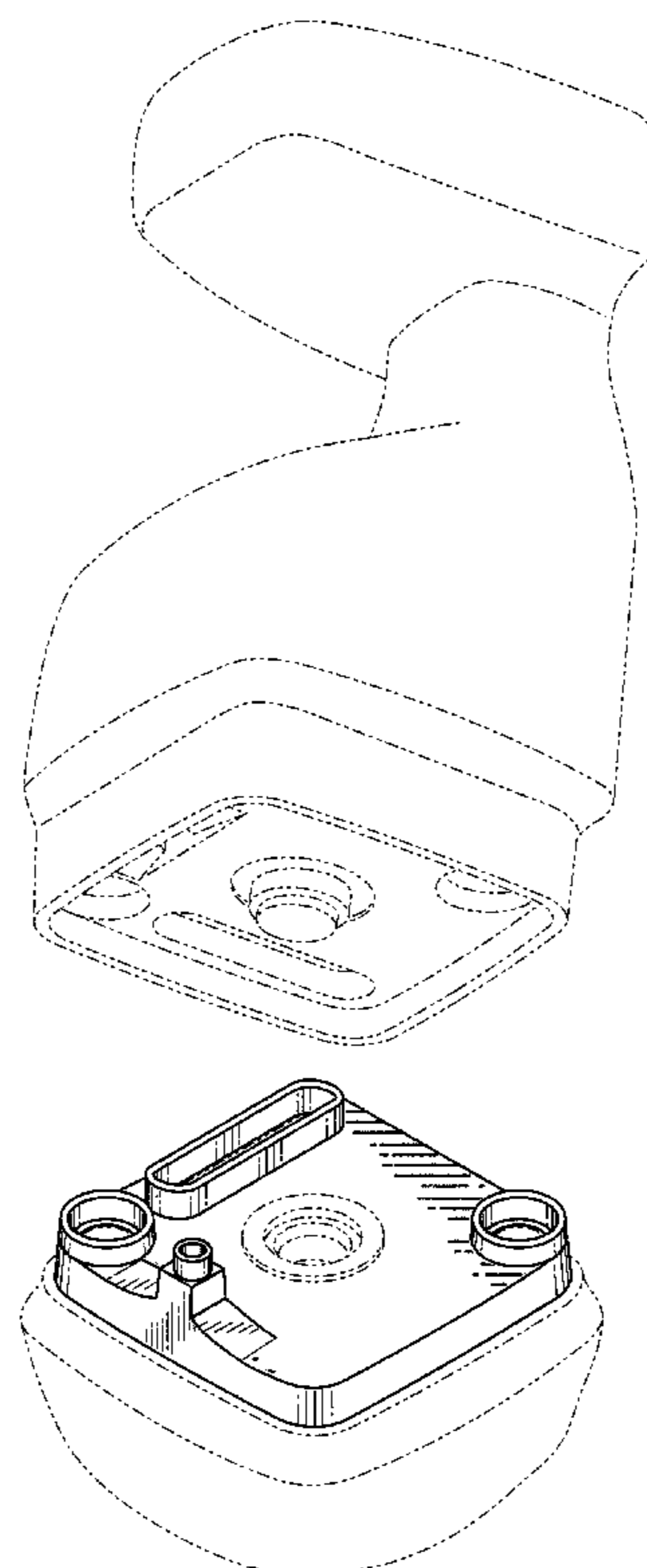
FIG. 4 is a right side elevational view;

FIG. 5 is a left elevational view; and,

FIG. 6 is a top plan view thereof.

The broken line showing is for illustrative purposes only and forms no part of the claimed design.

1 Claim, 4 Drawing Sheets



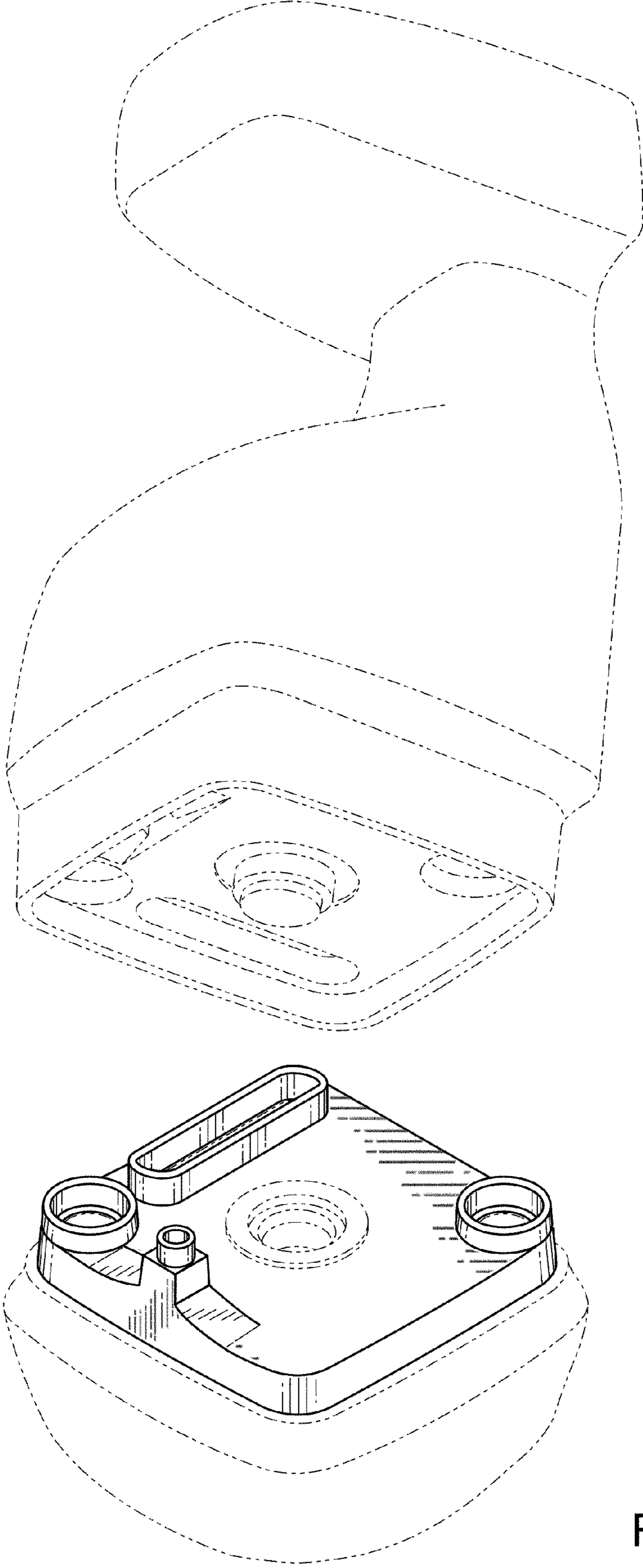


FIG. 1

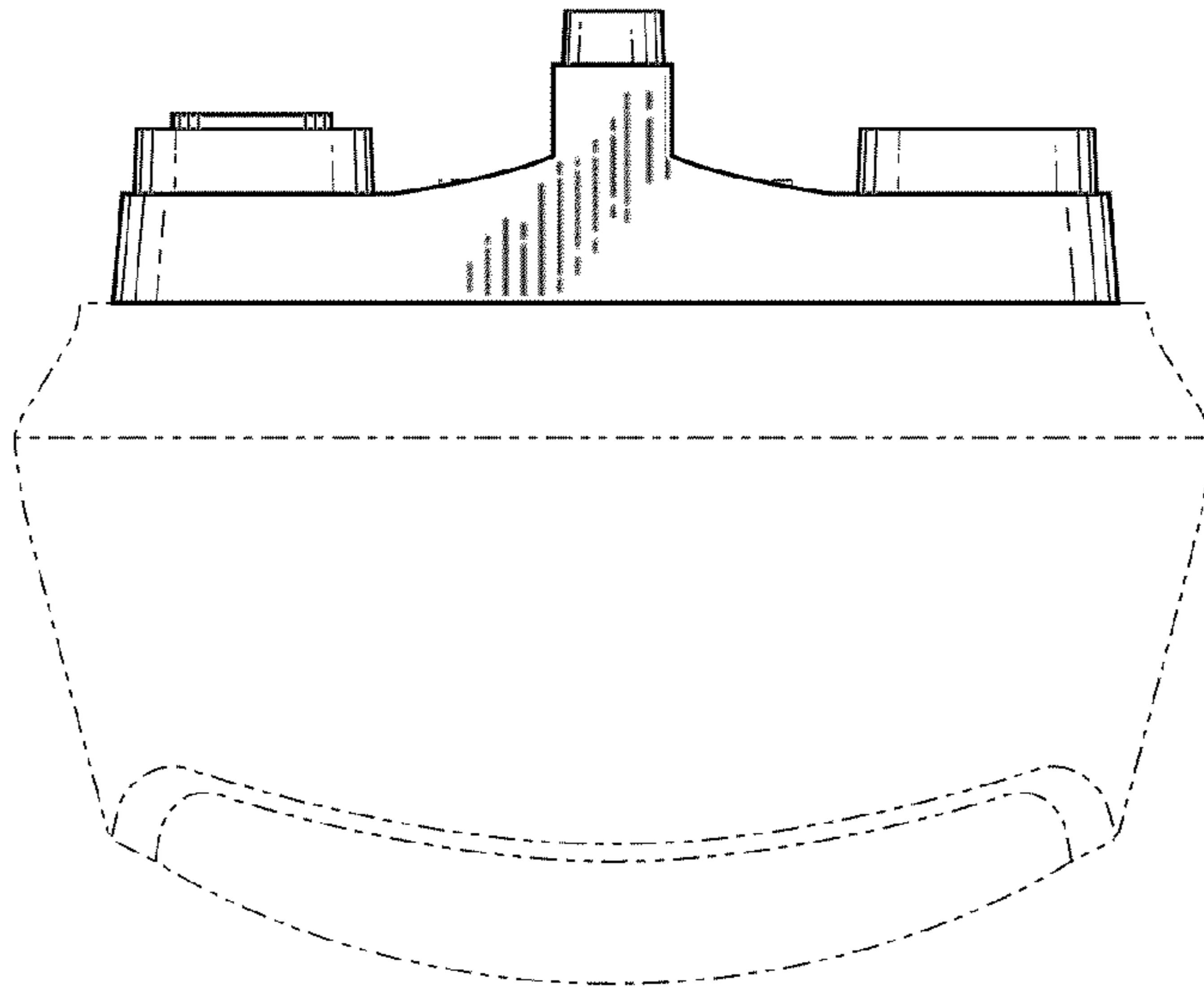


FIG. 2

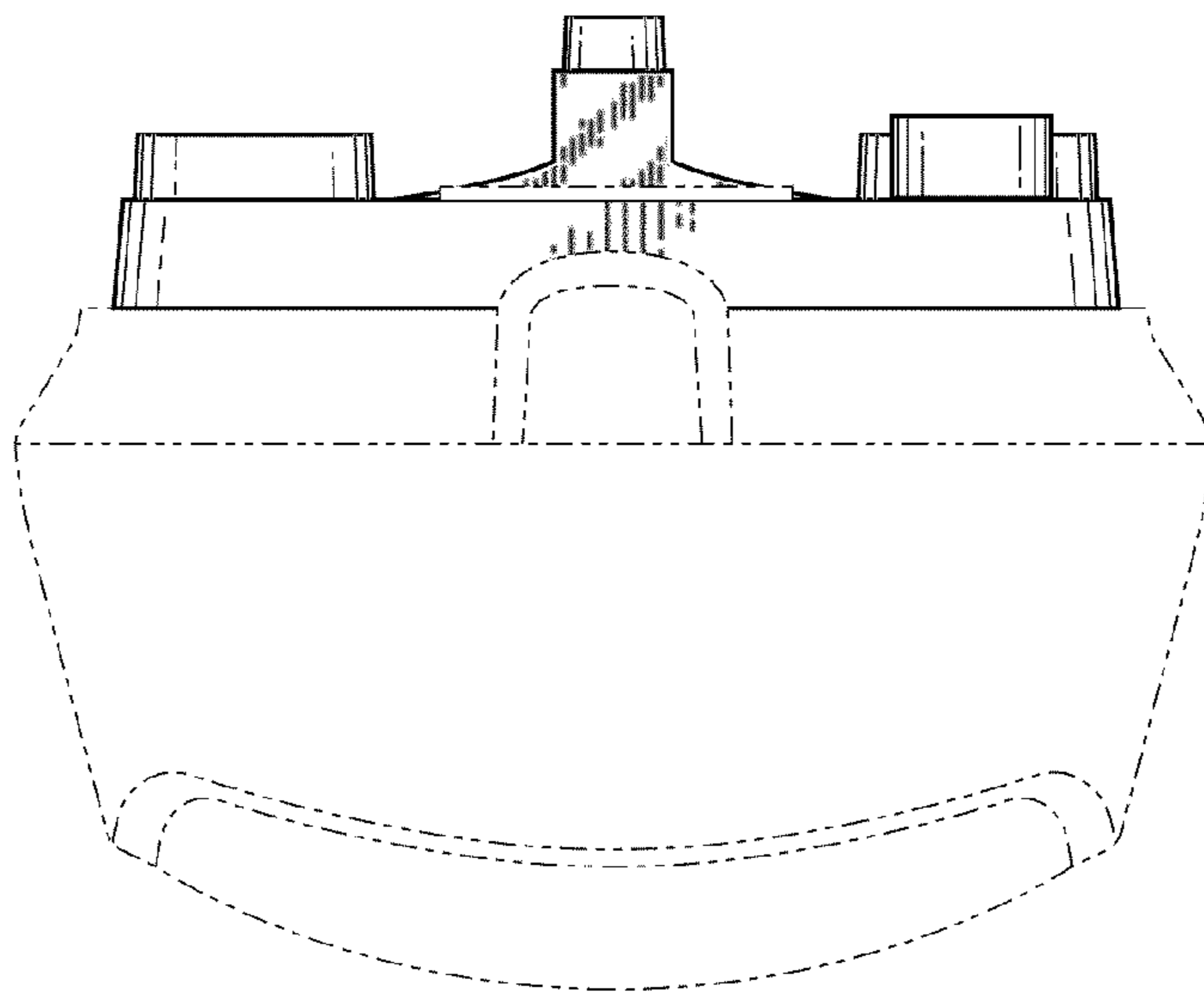


FIG. 3

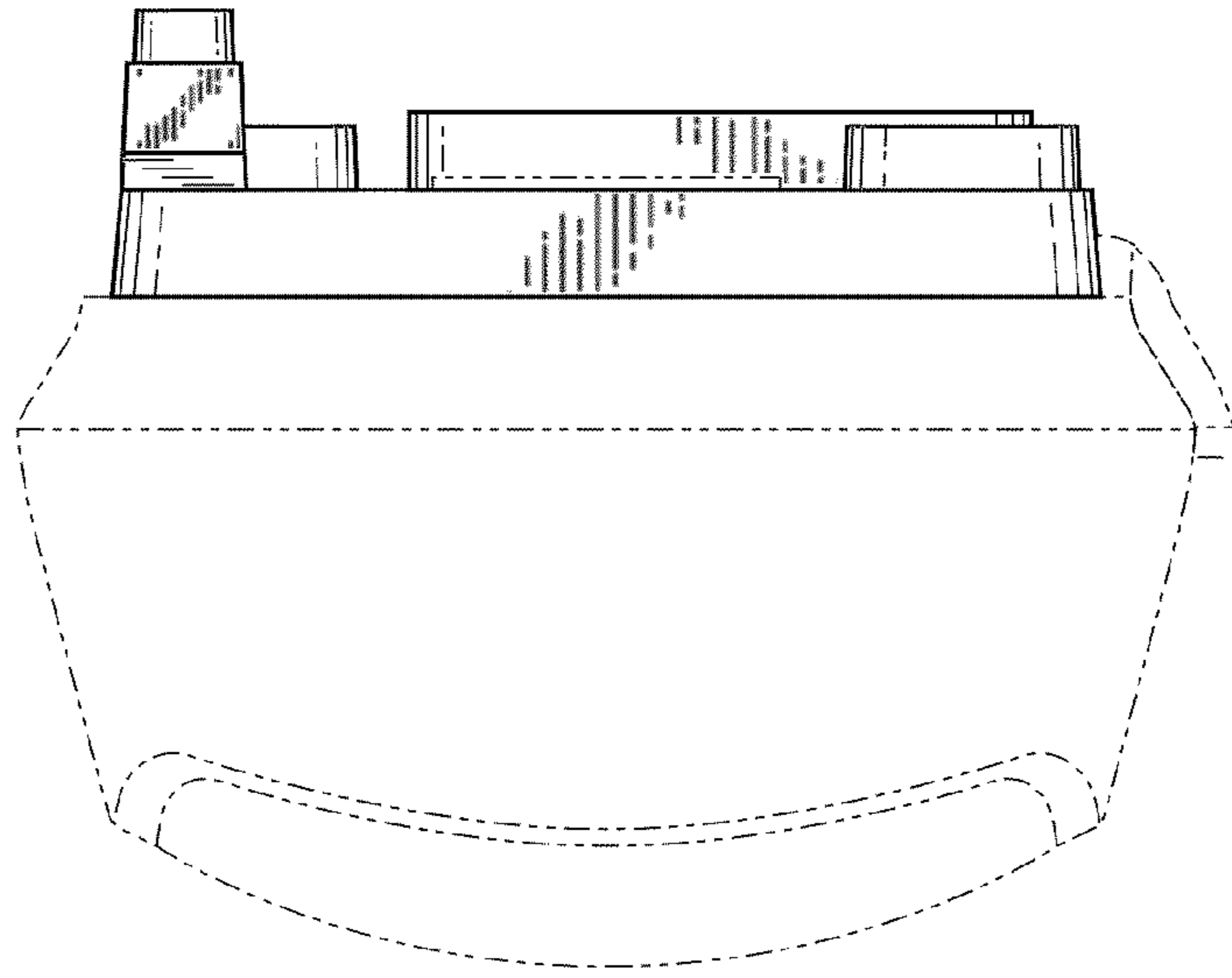


FIG. 4

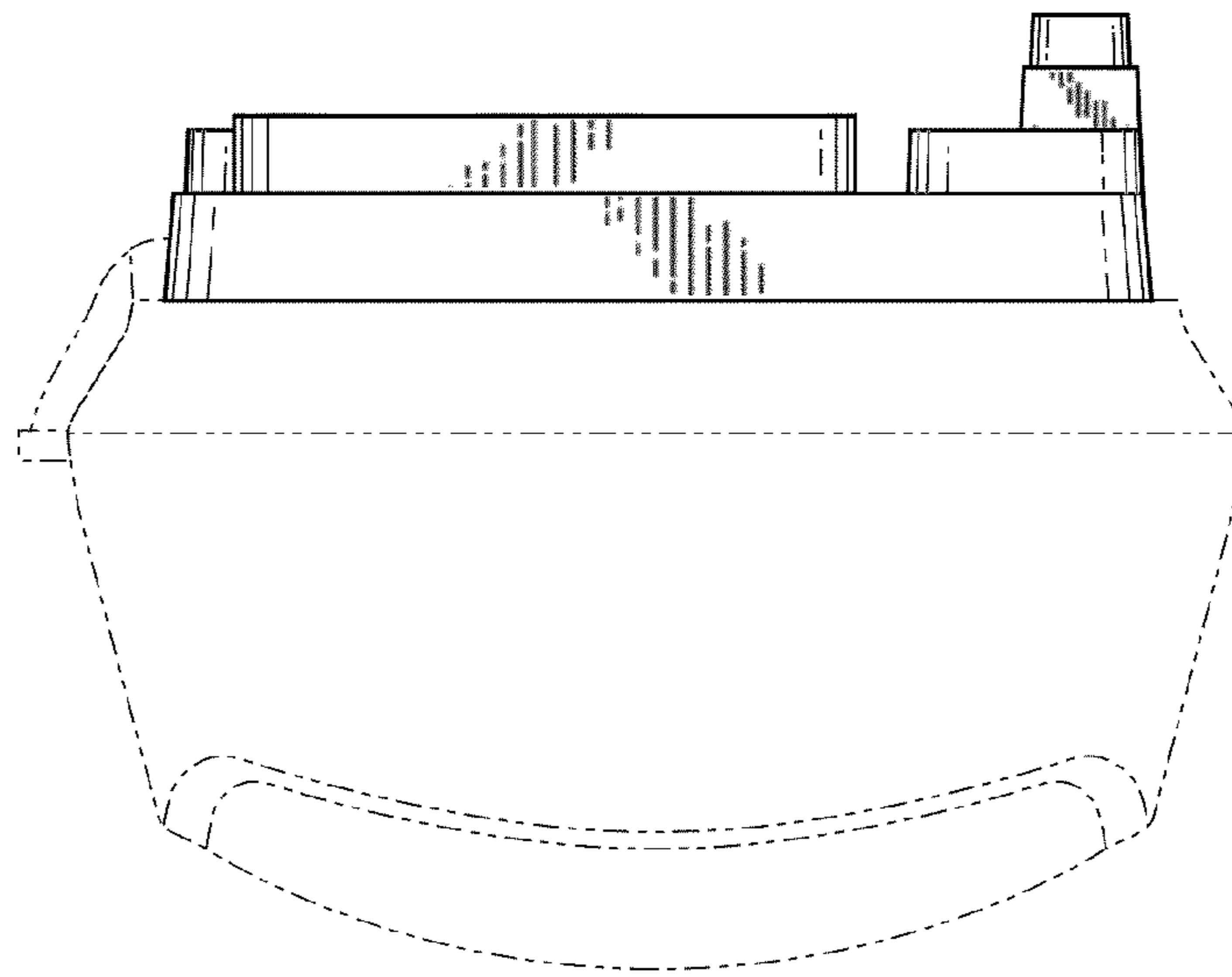


FIG. 5

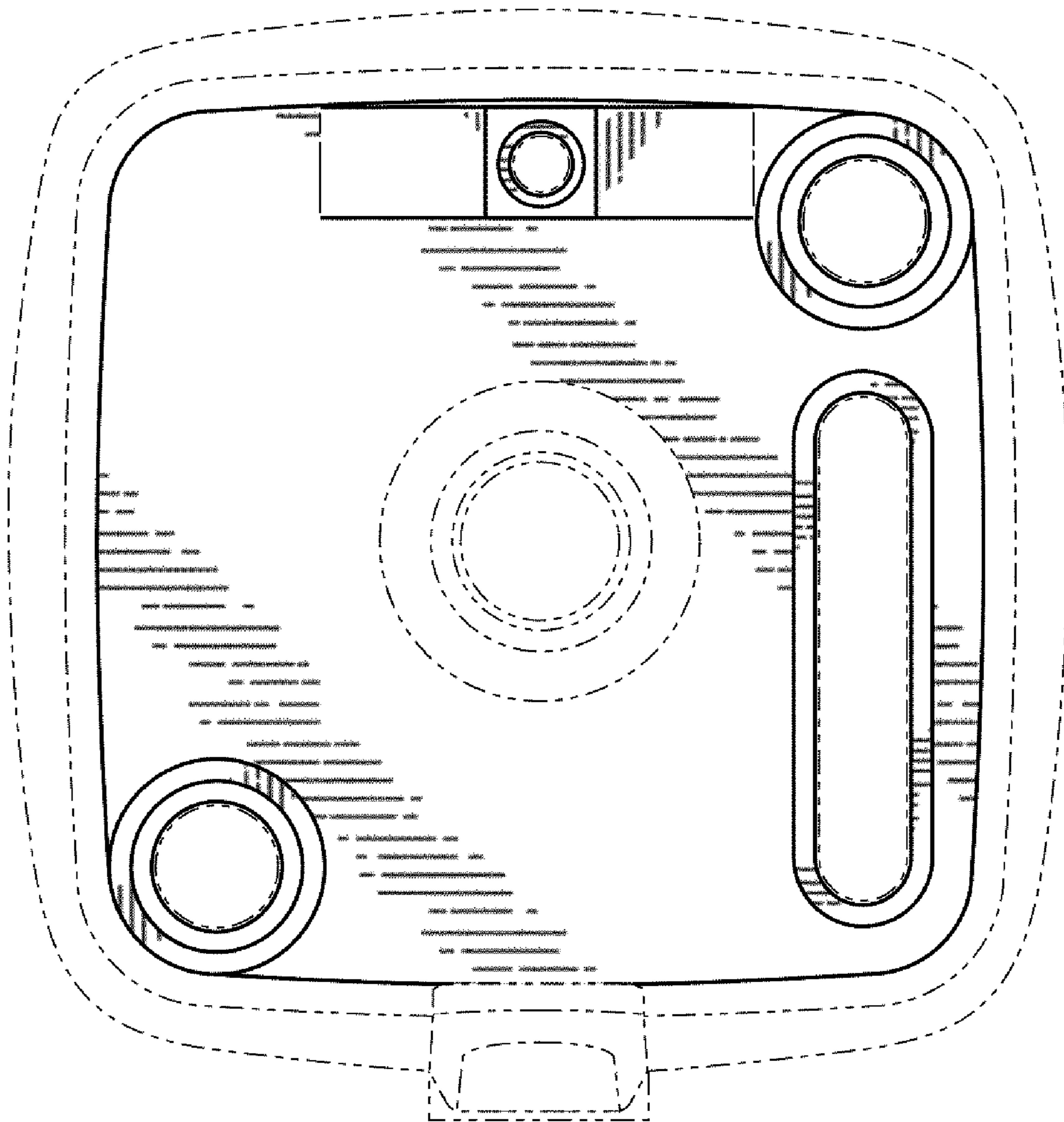


FIG. 6