



US00D629517S

(12) **United States Design Patent**  
**Jauch et al.**

(10) **Patent No.:** **US D629,517 S**  
(45) **Date of Patent:** **\*\* Dec. 21, 2010**

(54) **SUPPORT FOR MEDICAL DEVICE**

(75) Inventors: **Daniel Jauch**, Duerbheim (DE); **Tina Weber**, Villingen-Schwenningen (DE)

(73) Assignee: **Karl Storz GmbH & Co. KG**, Tuttingen (DE)

(\*\*) Term: **14 Years**

(21) Appl. No.: **29/358,520**

(22) Filed: **Mar. 29, 2010**

(30) **Foreign Application Priority Data**

Sep. 29, 2009 (EM) ..... 001617259-0013

(51) **LOC (9) Cl.** ..... **24-02**

(52) **U.S. Cl.** ..... **D24/140**

(58) **Field of Classification Search** ..... D24/140,  
D24/127, 128, 130; 606/108, 260; 600/424,  
600/486, 488

See application file for complete search history.

(56) **References Cited**

**U.S. PATENT DOCUMENTS**

D285,344 S *	8/1986	Olson	.....	D24/127
D345,017 S *	3/1994	Fischer et al.	.....	D24/130
D346,218 S *	4/1994	White	.....	D24/140
5,316,246 A *	5/1994	Scott et al.	.....	248/68.1
5,545,229 A *	8/1996	Parsons et al.	.....	623/17.15
D379,509 S *	5/1997	Macko	.....	D24/128

D380,051 S *	6/1997	Davis et al.	.....	D24/206
5,879,288 A *	3/1999	Suzuki et al.	.....	600/176
5,984,864 A *	11/1999	Fox et al.	.....	600/201

\* cited by examiner

*Primary Examiner*—Bridget L Eland

(74) *Attorney, Agent, or Firm*—Muncy, Geissler, Olds & Lowe, PLLC

(57) **CLAIM**

The ornamental design for a support for medical device, as shown and described.

**DESCRIPTION**

FIG. 1 is a left side perspective view of a support for medical device of the present invention.

FIG. 2 is a right side perspective view of the support for medical device of FIG. 1.

FIG. 3 is a top perspective view of the support for medical device of FIG. 1.

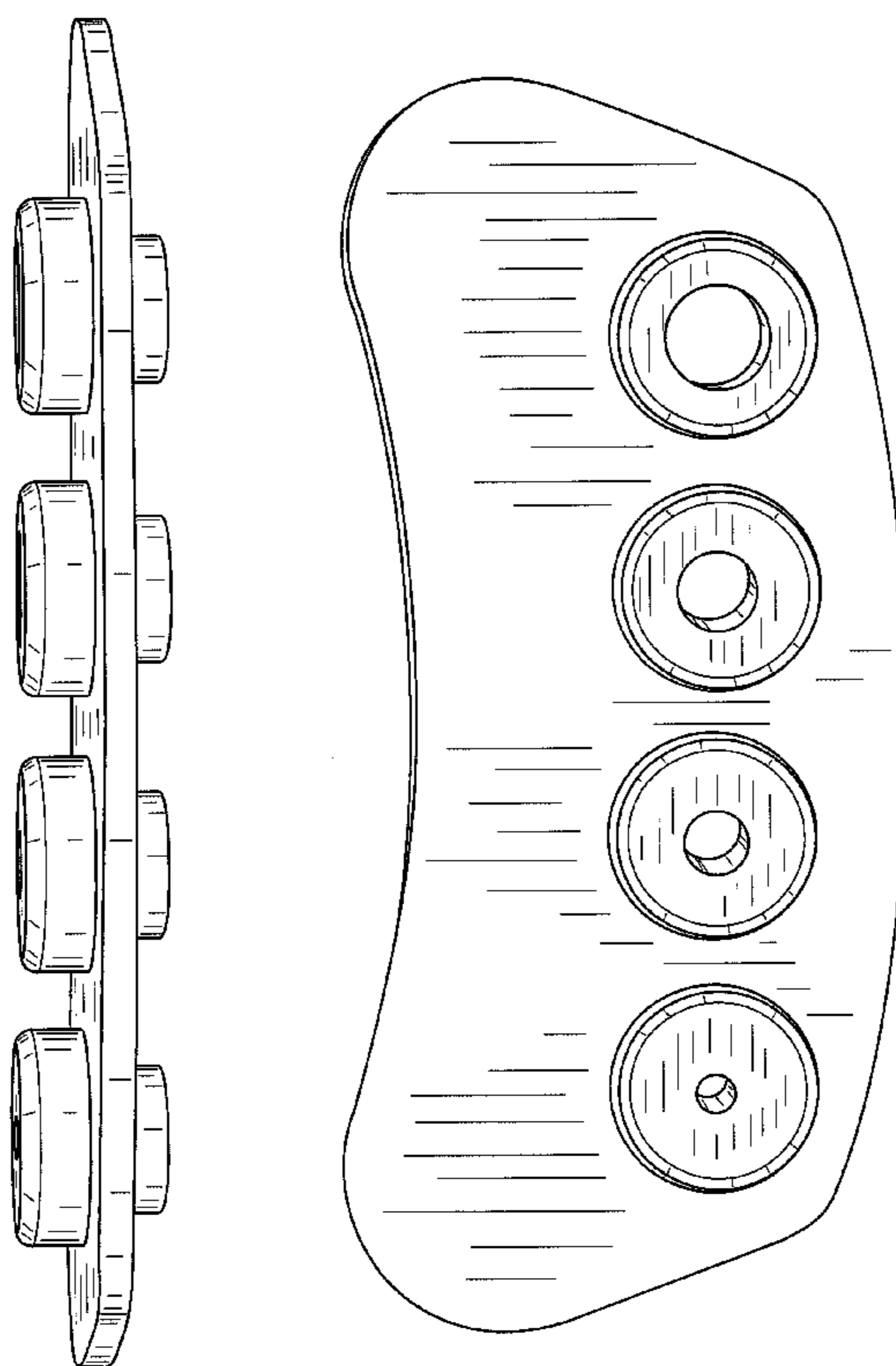
FIG. 4 is a bottom perspective view of the support for medical device of FIG. 1.

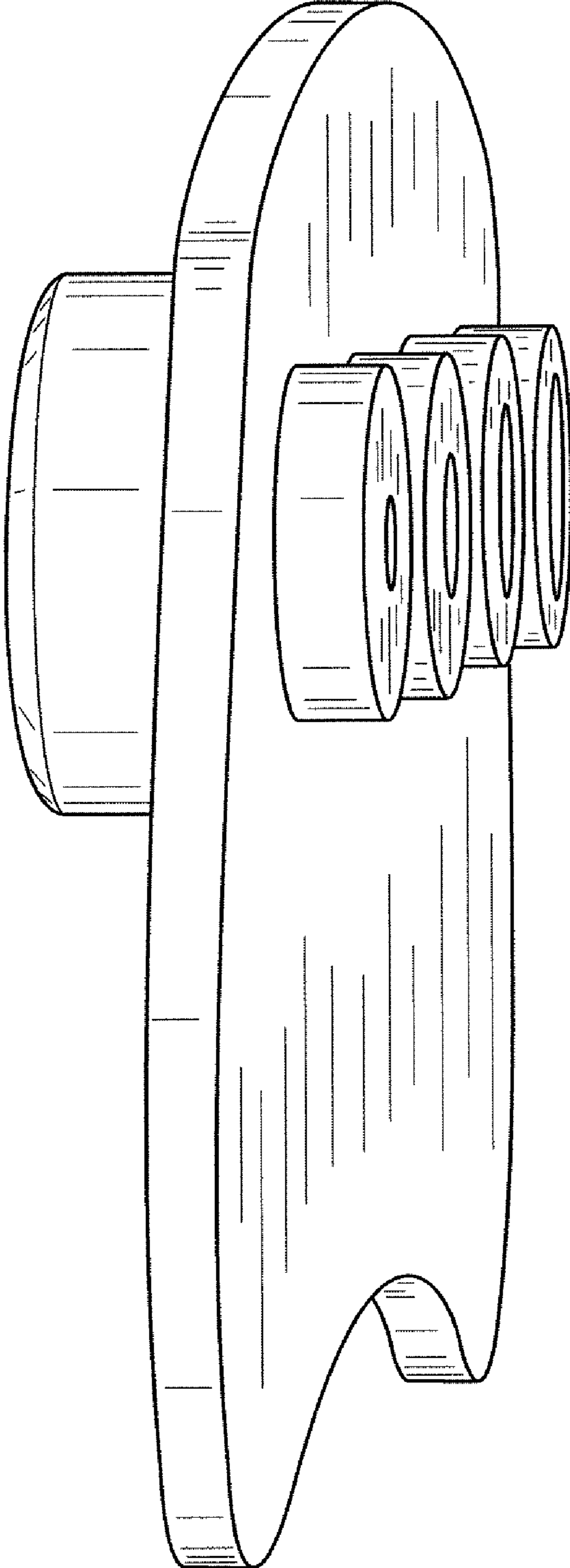
FIG. 5 is a front perspective view of the support for medical device of FIG. 1.

FIG. 6 is a rear perspective view of the support for medical device of FIG. 1; and,

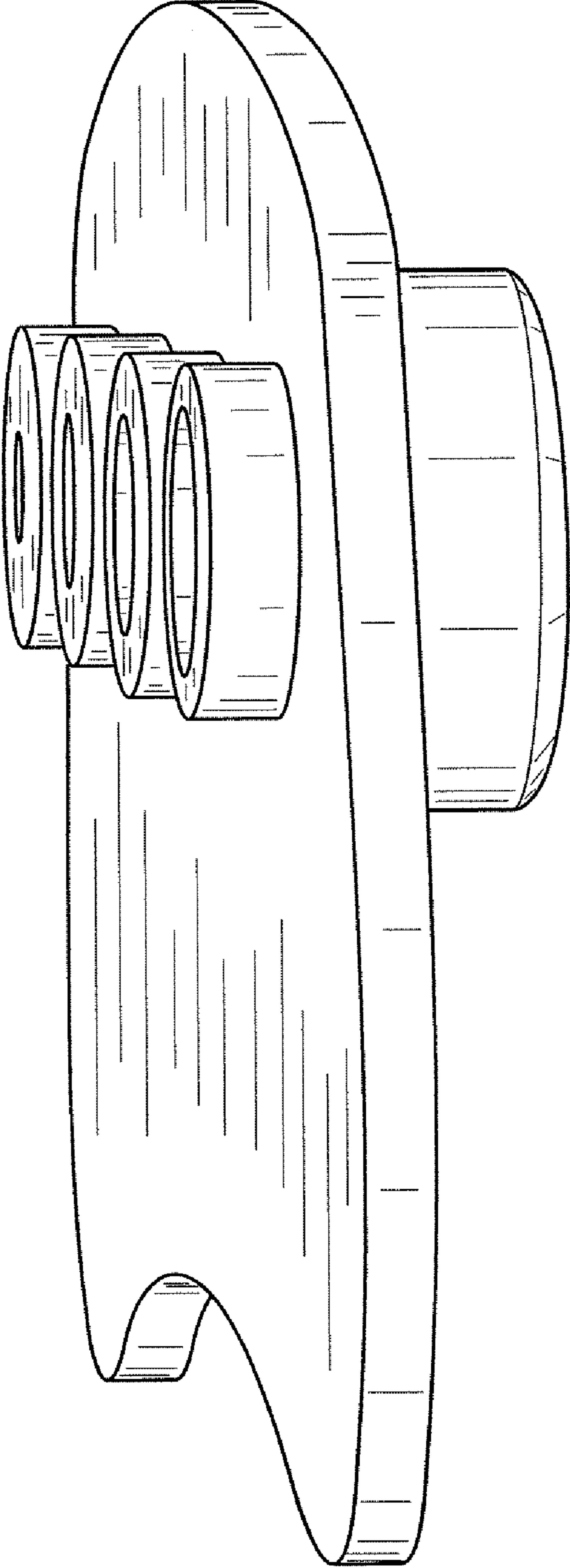
FIG. 7 is a three-quarter perspective view of the support for medical device of FIG. 1.

**1 Claim, 7 Drawing Sheets**

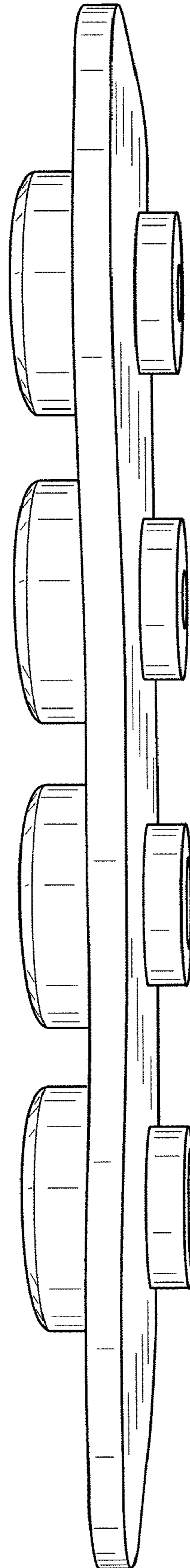




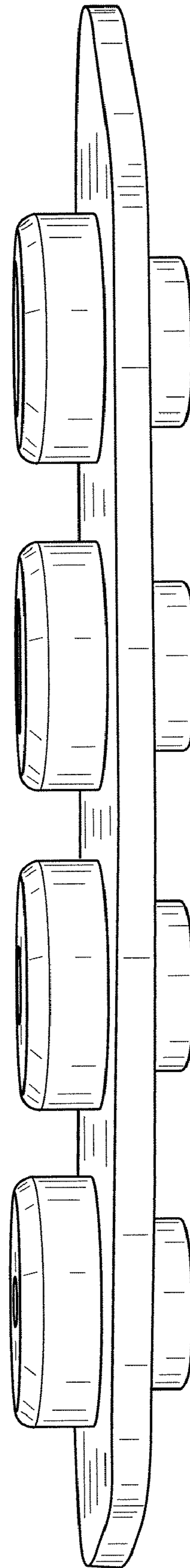
**FIG. 1**



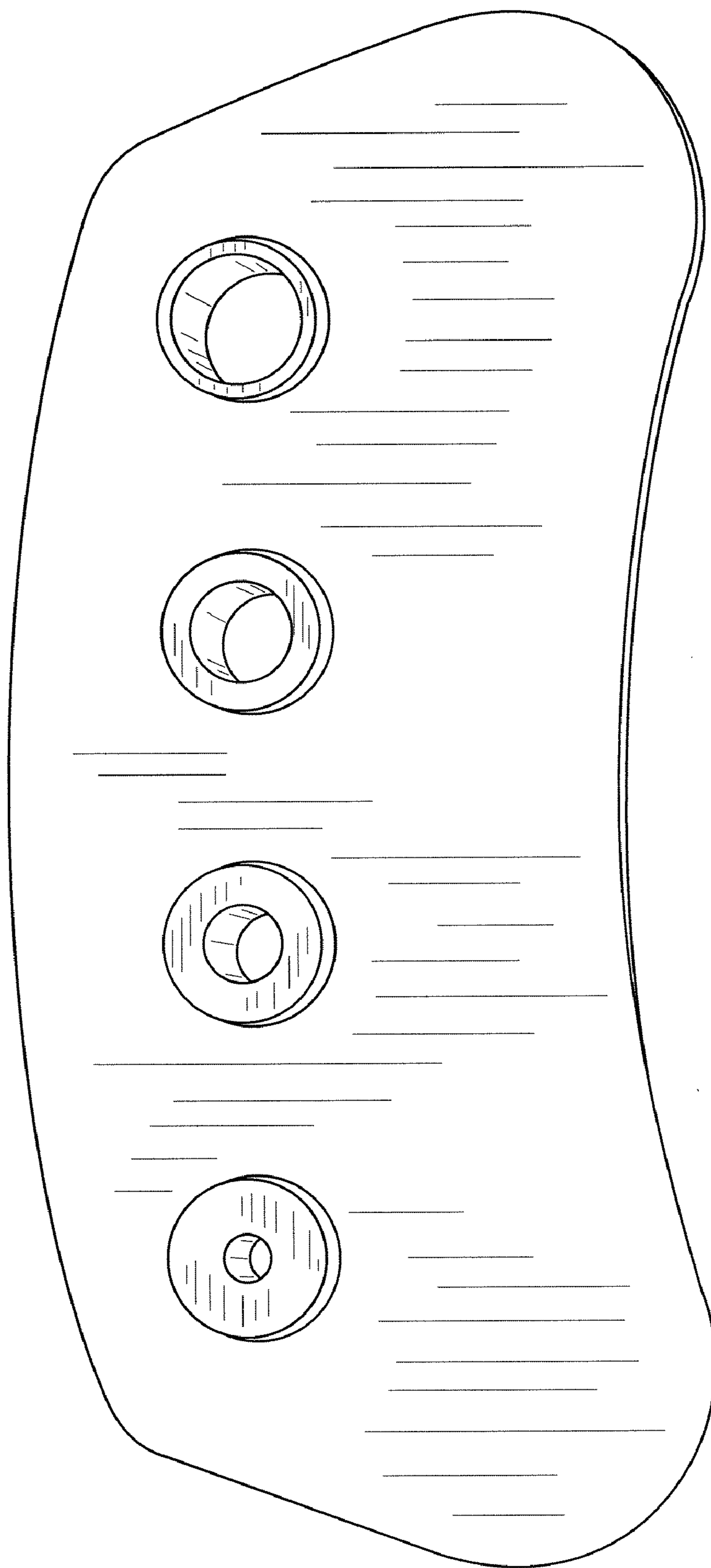
**FIG. 2**



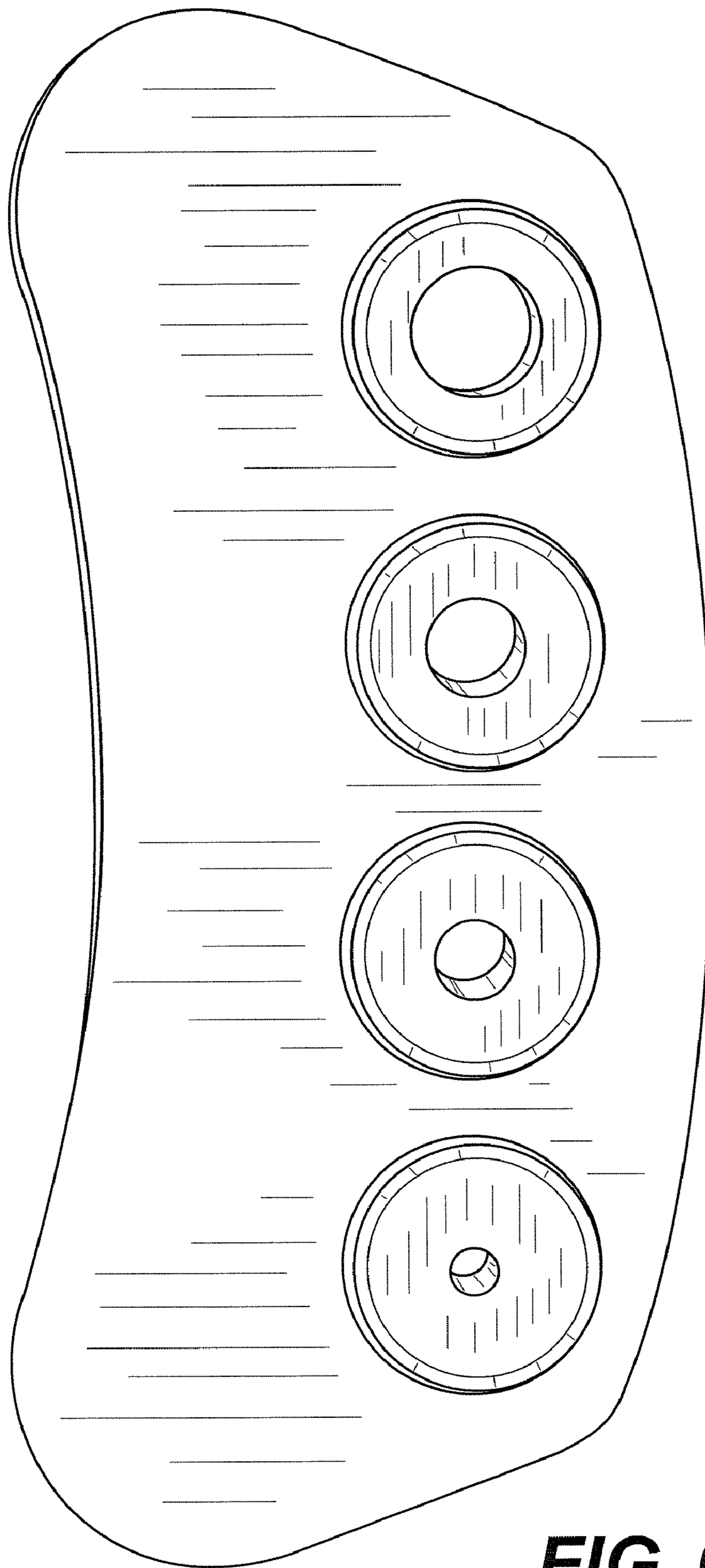
**FIG. 3**



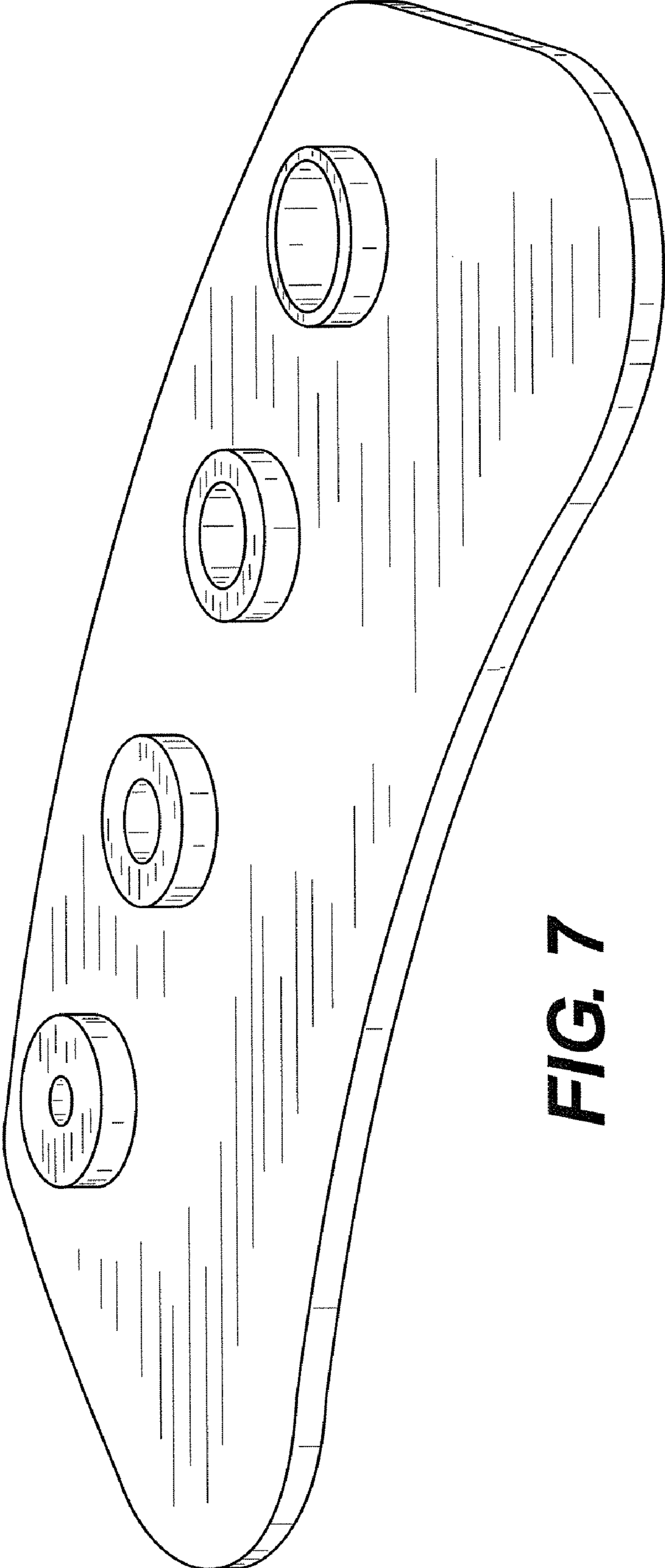
**FIG. 4**



**FIG. 5**



**FIG. 6**



**FIG. 7**