



US00D629514S

(12) **United States Design Patent**
Bierman

(10) **Patent No.:** **US D629,514 S**

(45) **Date of Patent:** **** Dec. 21, 2010**

(54) **MEDICAL LINE SECUREMENT DEVICE**

(75) Inventor: **Steven F. Bierman**, Del Mar, CA (US)

(73) Assignee: **Venetec International, Inc.**, Covington, GA (US)

(**) Term: **14 Years**

(21) Appl. No.: **29/344,121**

(22) Filed: **Sep. 23, 2009**

Related U.S. Application Data

(63) Continuation of application No. 11/527,904, filed on Sep. 26, 2006, which is a continuation of application No. 10/429,217, filed on May 1, 2003, now Pat. No. 7,223,256.

(51) **LOC (9) Cl.** **24-02**

(52) **U.S. Cl.** **D24/128**

(58) **Field of Classification Search** 99/127–130, 99/189; 604/179–180, 187, 227; 602/58–59; 128/DIG. 26

See application file for complete search history.

(56) **References Cited**

U.S. PATENT DOCUMENTS

| | | | | | |
|-----------|------|---------|----------------|-------|---------|
| 6,283,945 | B1 * | 9/2001 | Bierman | | 604/174 |
| 6,361,523 | B1 * | 3/2002 | Bierman | | 604/174 |
| 6,413,240 | B1 * | 7/2002 | Bierman et al. | | 604/174 |
| 6,663,600 | B2 * | 12/2003 | Bierman et al. | | 604/174 |
| 6,951,550 | B2 * | 10/2005 | Bierman | | 604/174 |
| 7,018,362 | B2 * | 3/2006 | Bierman et al. | | 604/174 |
| 7,223,256 | B2 * | 5/2007 | Bierman | | 604/174 |
| 7,563,251 | B2 * | 7/2009 | Bierman et al. | | 604/174 |

| | | | | | |
|--------------|------|---------|----------------|-------|---------|
| 2003/0229313 | A1 * | 12/2003 | Bierman | | 604/174 |
| 2004/0199122 | A1 * | 10/2004 | Bierman et al. | | 604/174 |
| 2006/0129103 | A1 * | 6/2006 | Bierman et al. | | 604/174 |
| 2006/0135944 | A1 * | 6/2006 | Bierman | | 604/500 |
| 2006/0270994 | A1 * | 11/2006 | Bierman | | 604/180 |
| 2007/0142782 | A2 * | 6/2007 | Bierman | | 604/174 |
| 2007/0276335 | A1 * | 11/2007 | Bierman | | 604/180 |
| 2008/0154208 | A1 * | 6/2008 | Bierman | | 604/180 |
| 2009/0182283 | A1 * | 7/2009 | Sloan | | 604/180 |

* cited by examiner

Primary Examiner—T. Chase Nelson

Assistant Examiner—Eric L Goodman

(74) *Attorney, Agent, or Firm*—Knobbe, Martens, Olson & Bear LLP

(57) **CLAIM**

The ornamental design for a medical line securement device, as shown and described.

DESCRIPTION

FIG. 1 is a perspective view of a medical line securement device configured in accordance with the present invention;

FIG. 2 is a top view thereof;

FIG. 3 is a bottom view thereof;

FIG. 4 is a front view thereof;

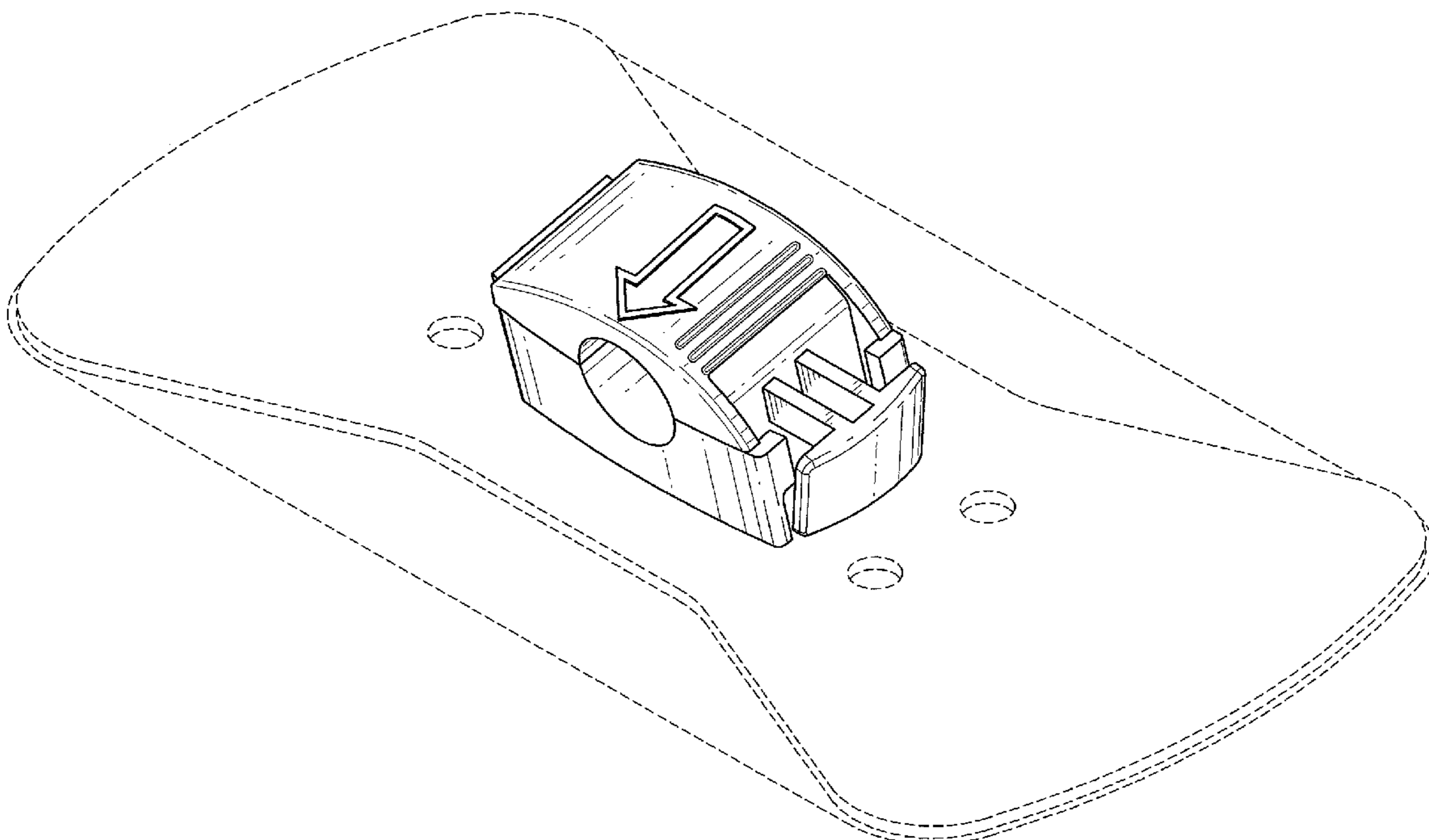
FIG. 5 is a rear view thereof;

FIG. 6 is a left side view thereof; and,

FIG. 7 is a right side view thereof.

The broken line showing is included for the purpose of illustrating portions of the catheter retainer and forms no part of the claimed design.

1 Claim, 5 Drawing Sheets



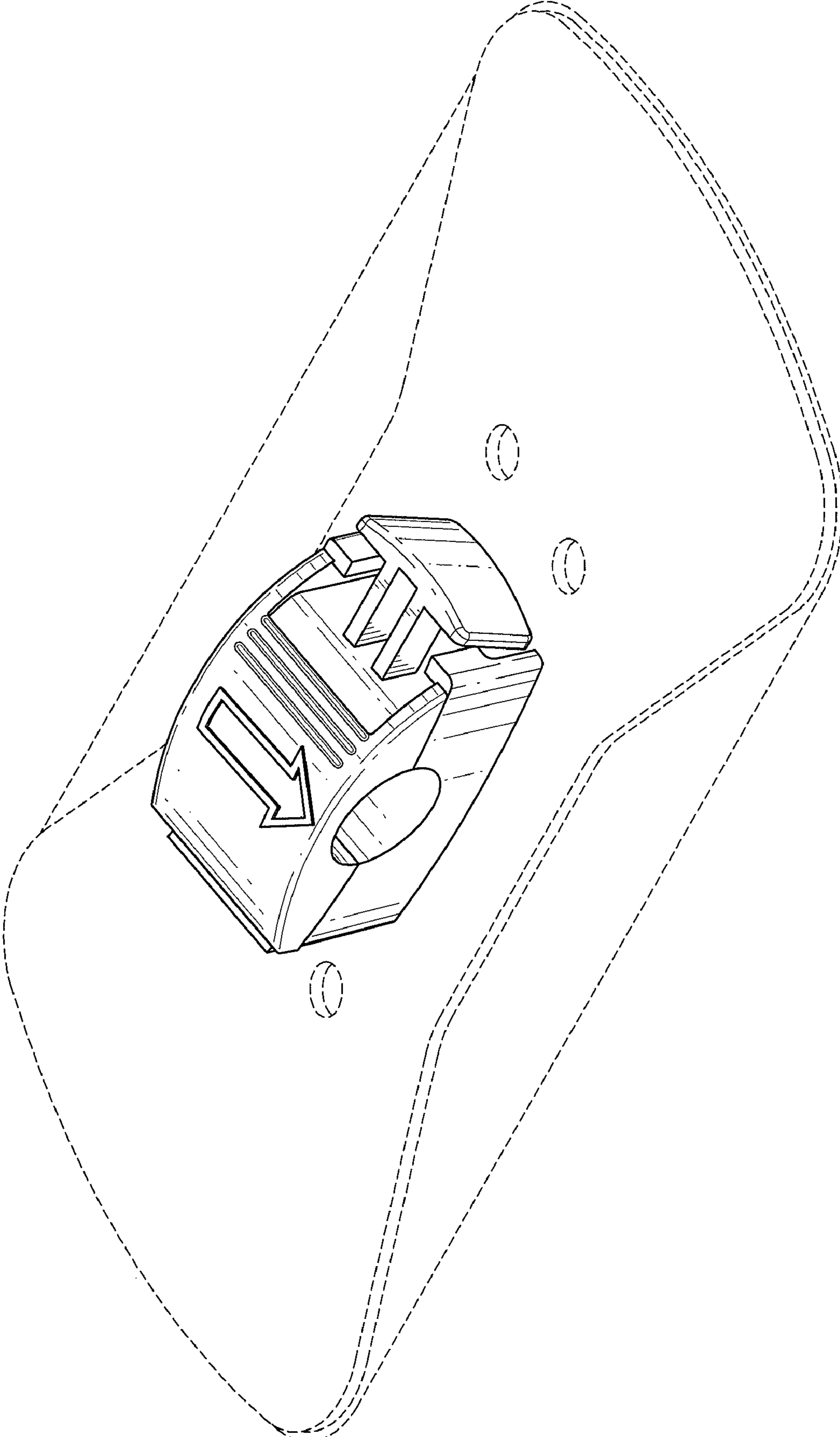


FIG. 1

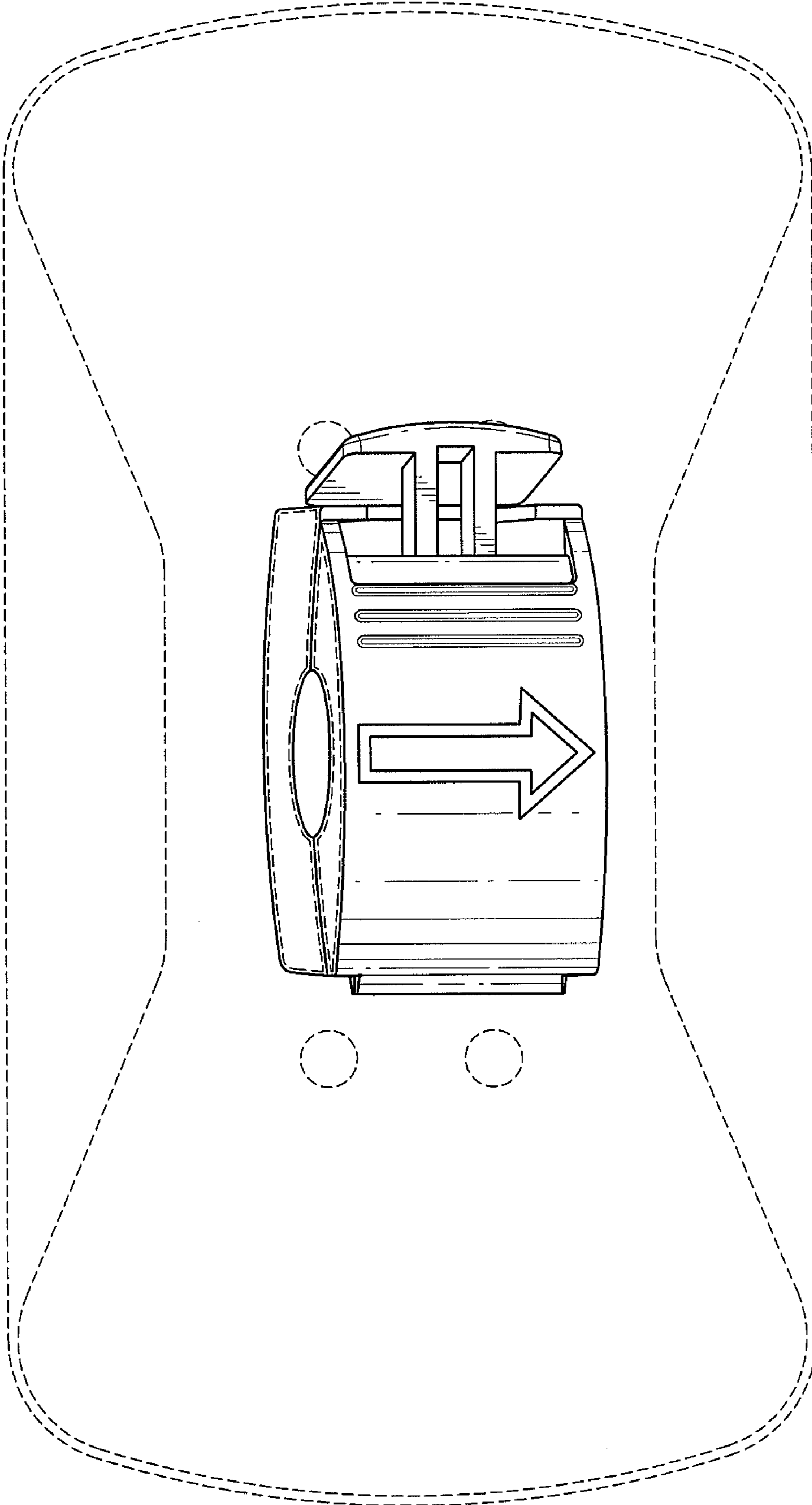


FIG. 2

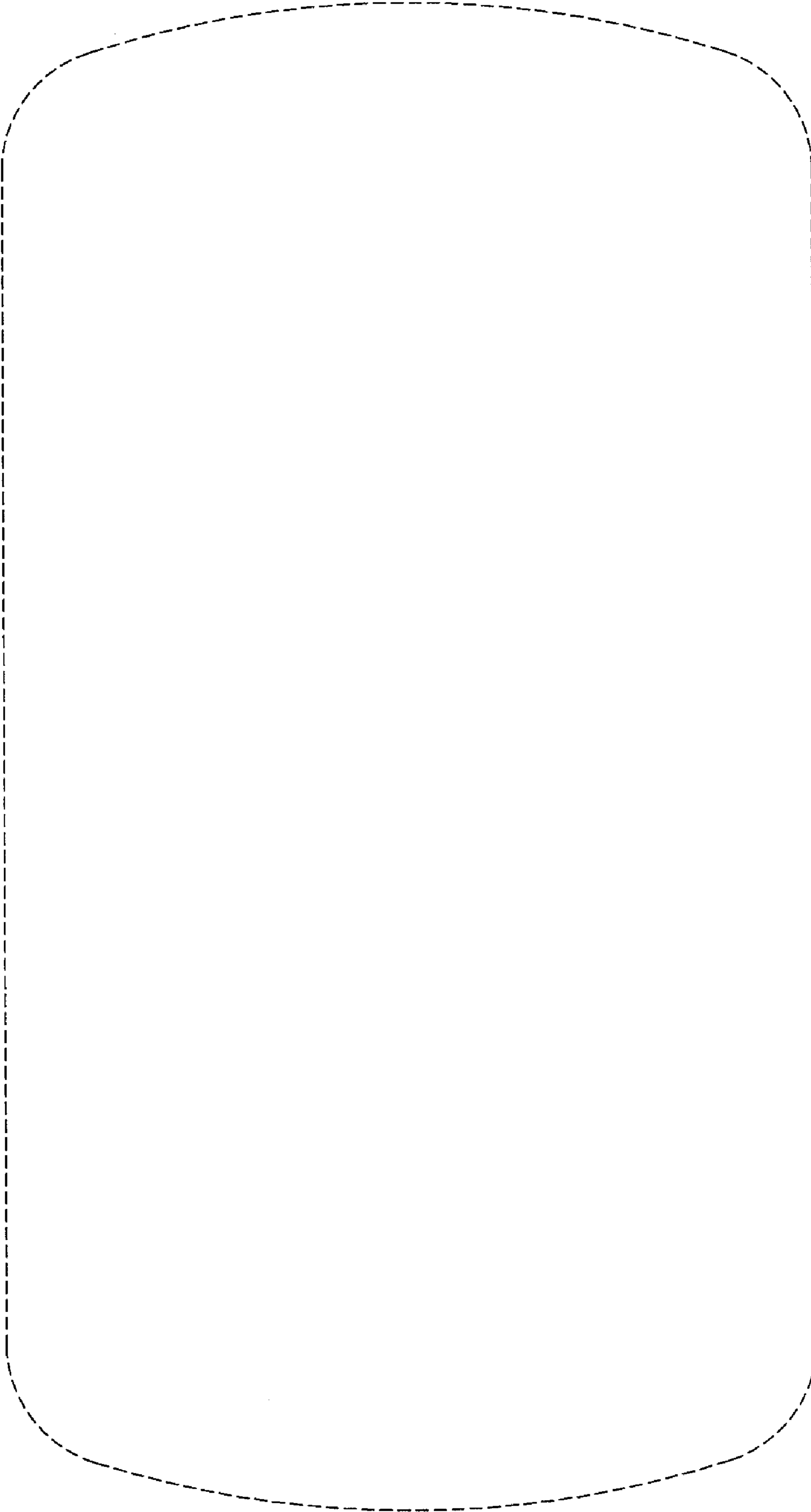


FIG. 3

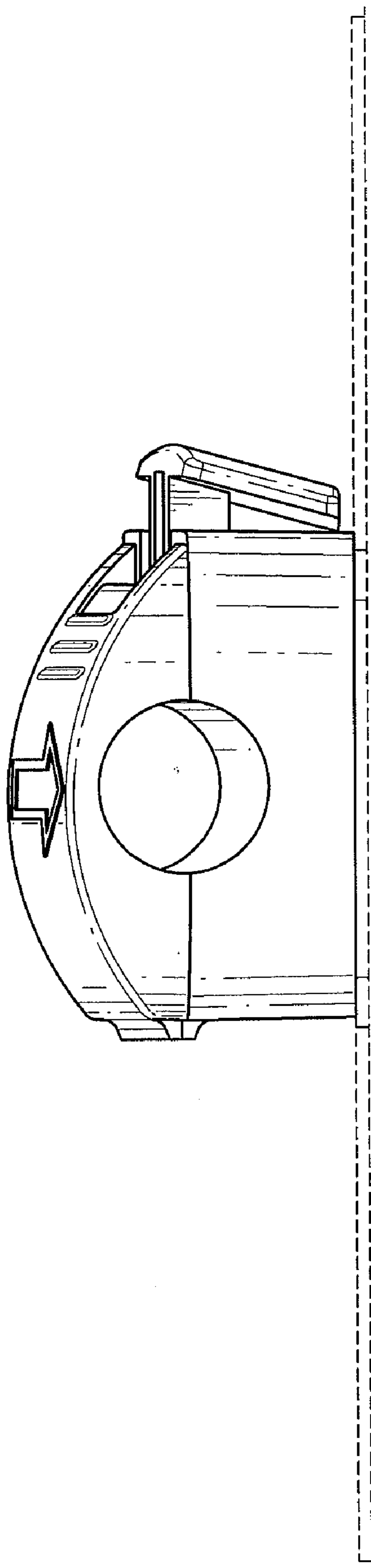


FIG. 4

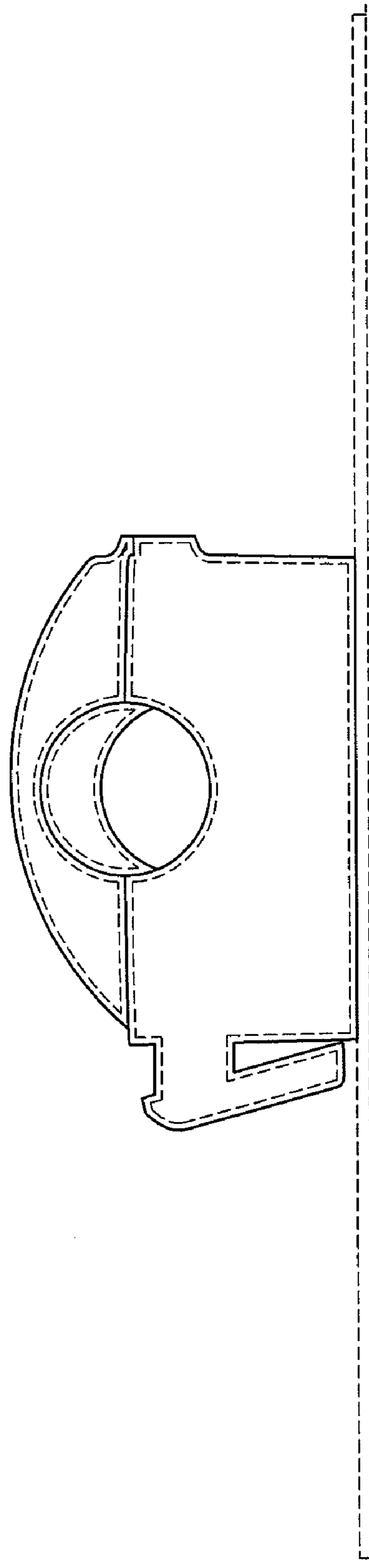


FIG. 5

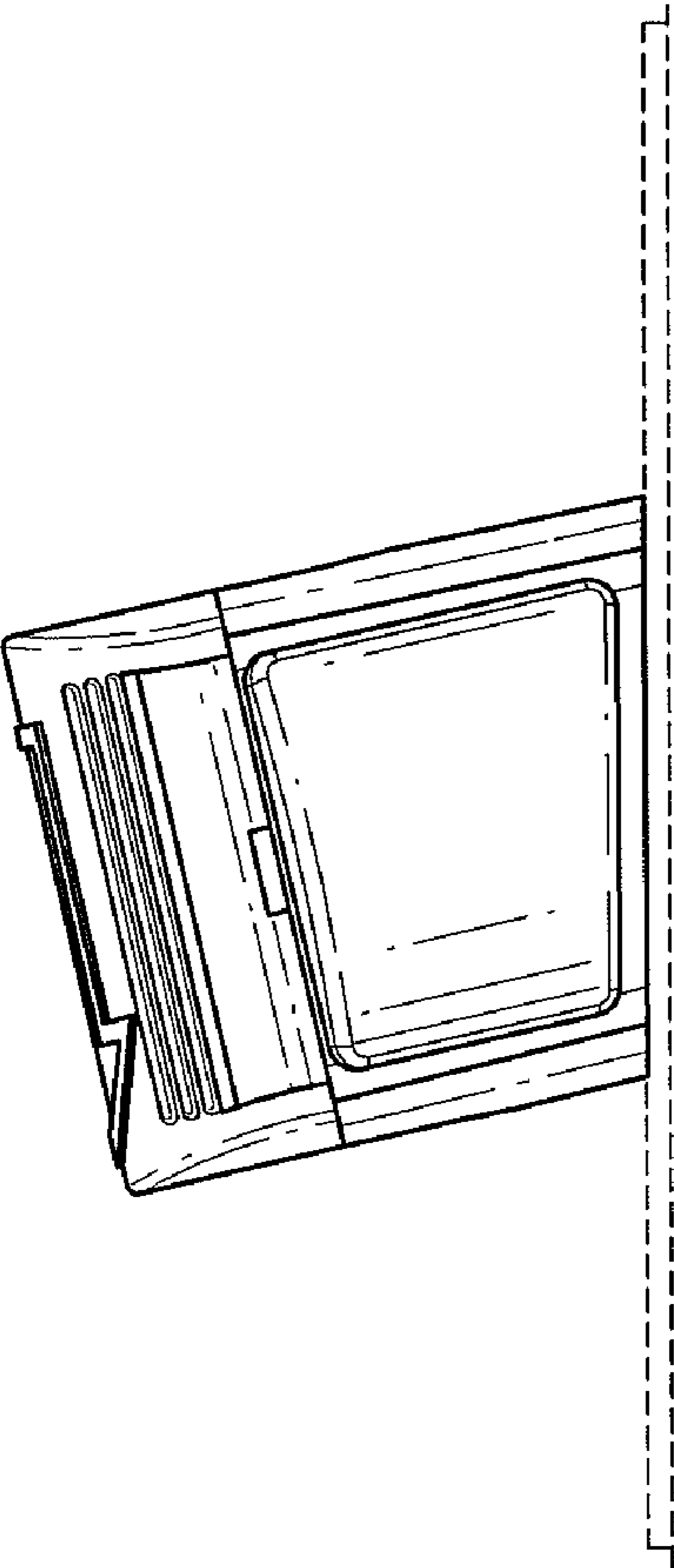


FIG. 6

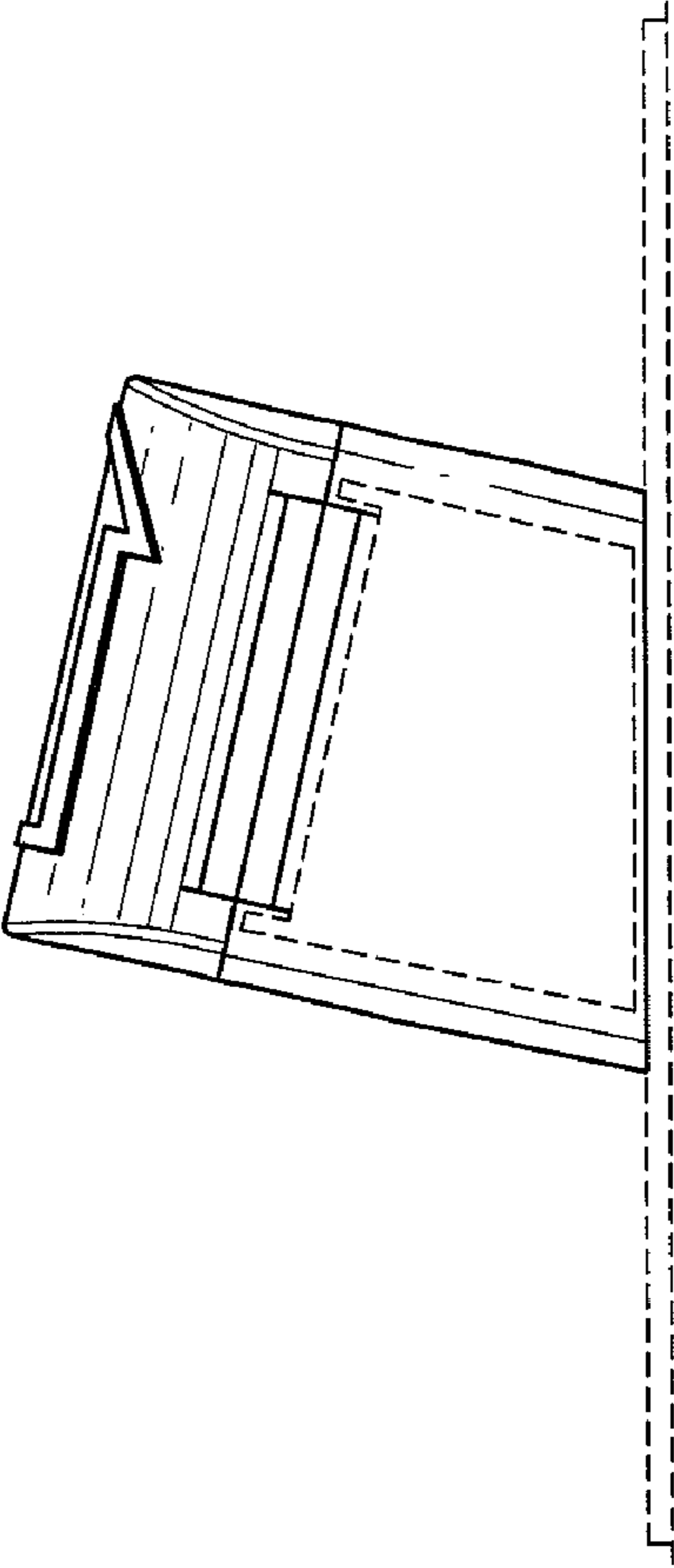


FIG. 7