



US00D629513S

(12) **United States Design Patent**
Bierman et al.

(10) **Patent No.:** **US D629,513 S**

(45) **Date of Patent:** **** Dec. 21, 2010**

(54) **MEDICAL ARTICLE RETAINER**

(75) Inventors: **Steven F. Bierman**, Del Mar, CA (US);
Richard A. Pluth, San Diego, CA (US);
Wayne T. Mitchell, San Diego, CA (US)

(73) Assignee: **Venetec International, Inc.**, Covington,
GA (US)

(**) Term: **14 Years**

(21) Appl. No.: **29/344,120**

(22) Filed: **Sep. 23, 2009**

Related U.S. Application Data

(63) Continuation of application No. 11/295,903, filed on
Dec. 6, 2005, which is a continuation of application
No. 10/452,839, filed on Jun. 2, 2003, now Pat. No.
6,972,003, which is a continuation of application No.
09/523,481, filed on Mar. 10, 2000, now Pat. No.
6,572,588.

(51) **LOC (9) Cl.** **24-02**

(52) **U.S. Cl.** **D24/128**

(58) **Field of Classification Search** 99/127–130,
99/189; 604/179–180, 187, 227; 602/58–59;
128/DIG. 26

See application file for complete search history.

(56) **References Cited**

U.S. PATENT DOCUMENTS

6,572,588 B1 * 6/2003 Bierman et al. 604/180
6,972,003 B2 * 12/2005 Bierman et al. 604/180

2004/0034330 A1 * 2/2004 Bierman et al. 604/500
2007/0276336 A1 * 11/2007 Bierman et al. 604/180
2009/0076457 A2 * 3/2009 Bierman et al. 604/180
2009/0182283 A1 * 7/2009 Sloan 604/180

* cited by examiner

Primary Examiner—T. Chase Nelson
Assistant Examiner—Eric L Goodman

(74) *Attorney, Agent, or Firm*—Knobbe, Martens, Olson &
Bear LLP

(57) **CLAIM**

The ornamental design for a medical article retainer, as shown
and described.

DESCRIPTION

FIG. 1 is a perspective view of a medical article retainer
configured in accordance with the present invention;

FIG. 2 is a top view thereof;

FIG. 3 is a cross-sectional view thereof taken along line 3—3
shown in FIG. 2;

FIG. 4 is a bottom view thereof;

FIG. 5 is a front view thereof;

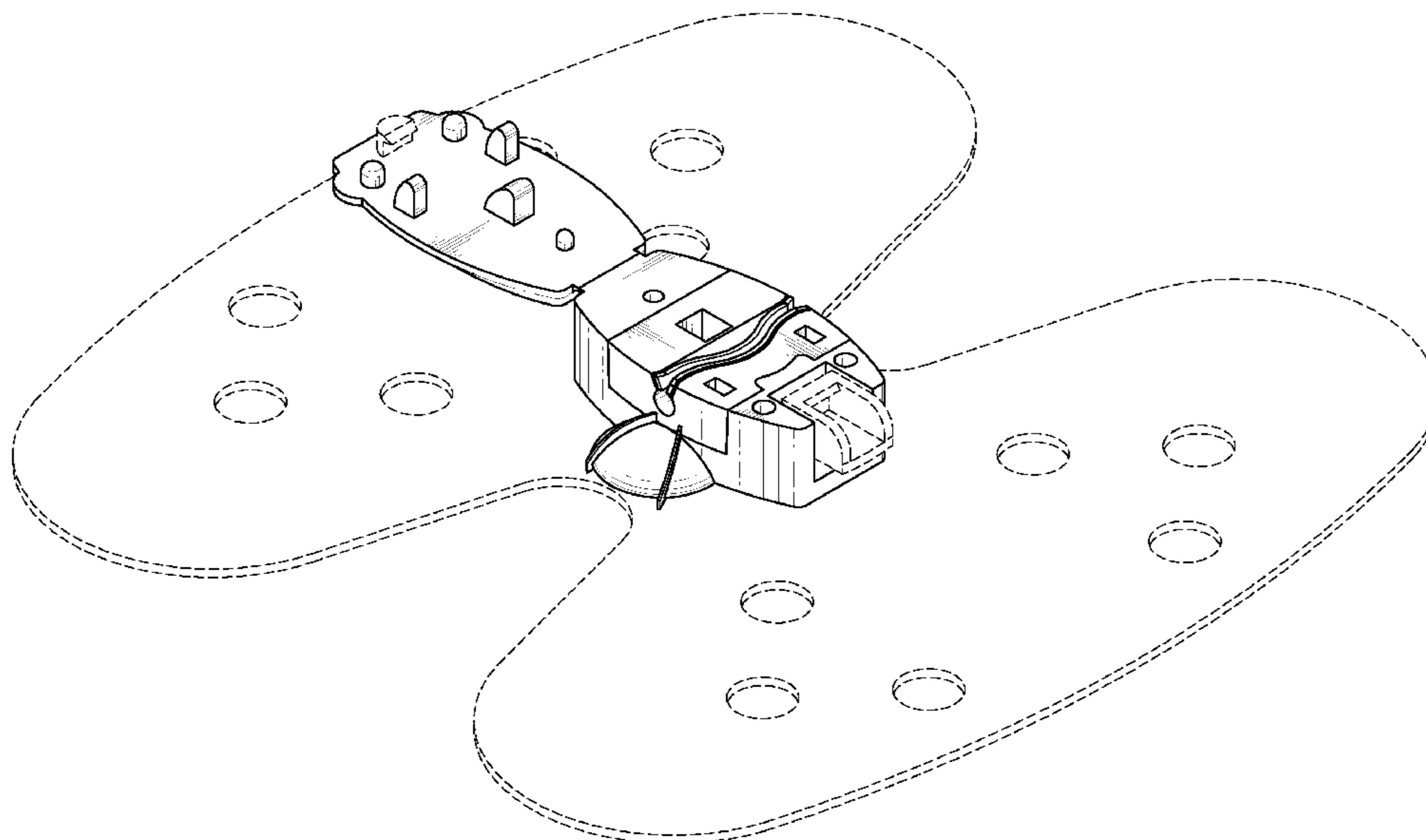
FIG. 6 is a rear view thereof;

FIG. 7 is a left side view thereof; and,

FIG. 8 is a right side view thereof.

The broken line showing is included for the purpose of illus-
trating portions of the catheter retainer and forms no part of
the claimed design.

1 Claim, 6 Drawing Sheets



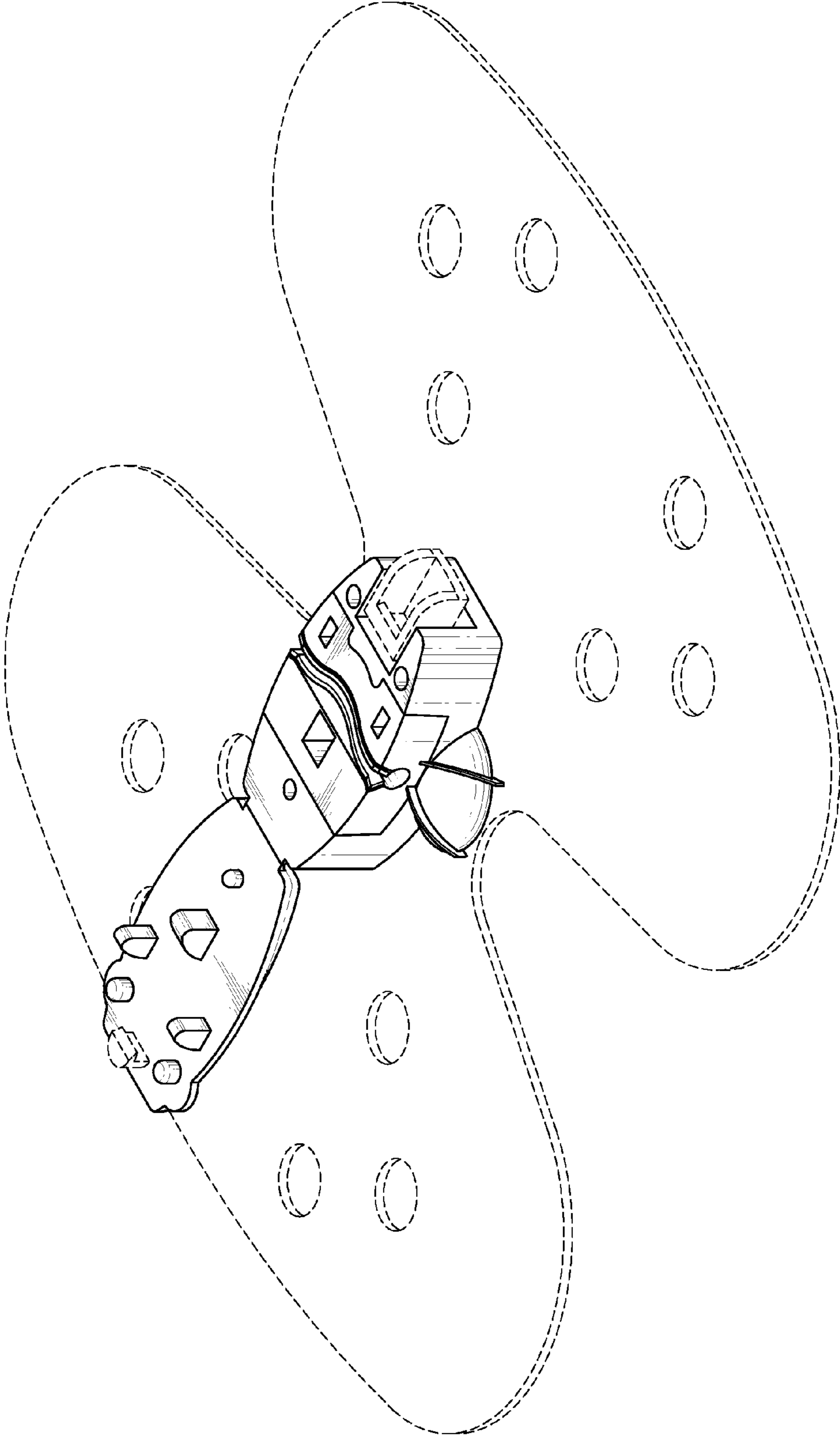


FIG. 1

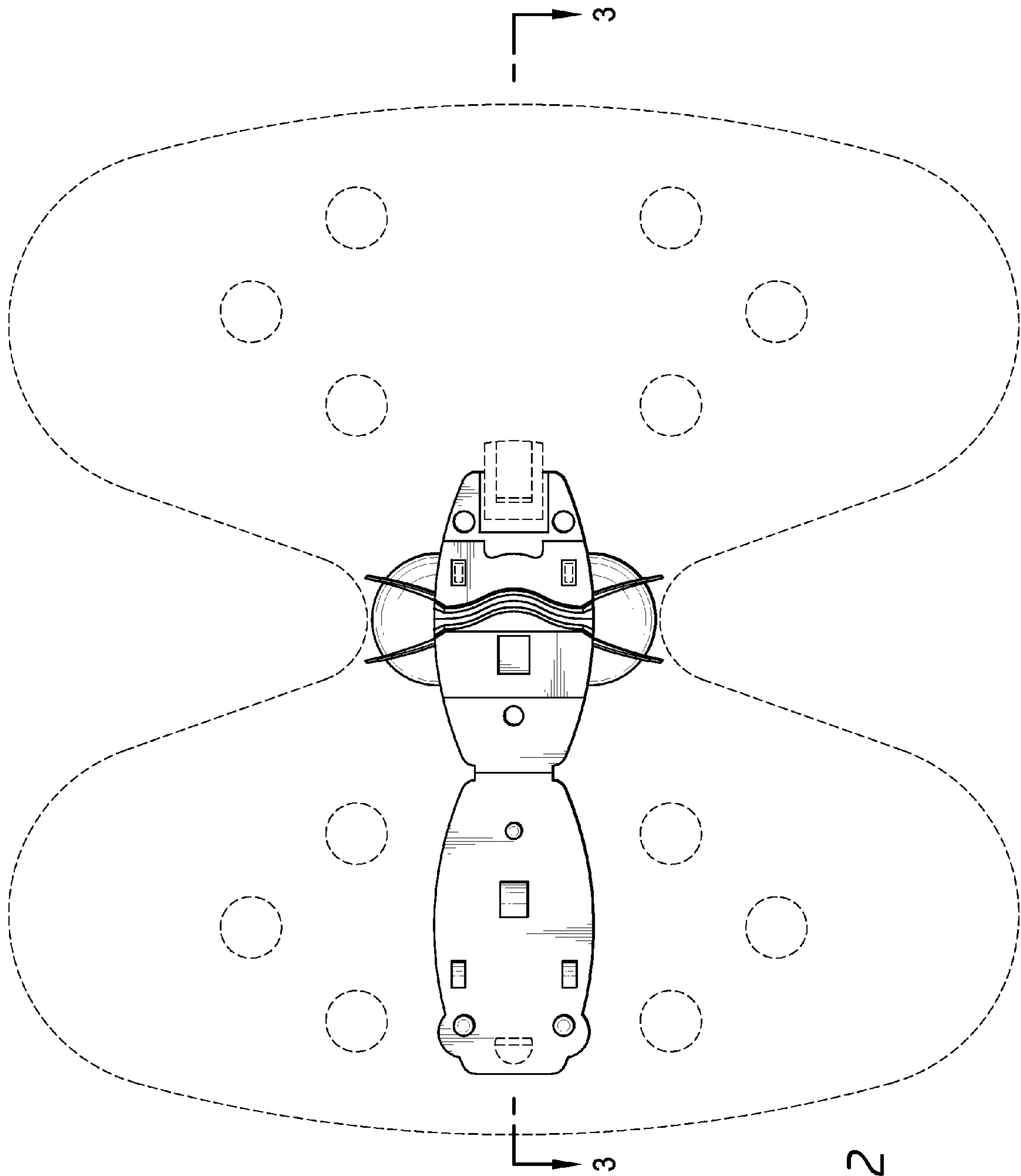


FIG. 2

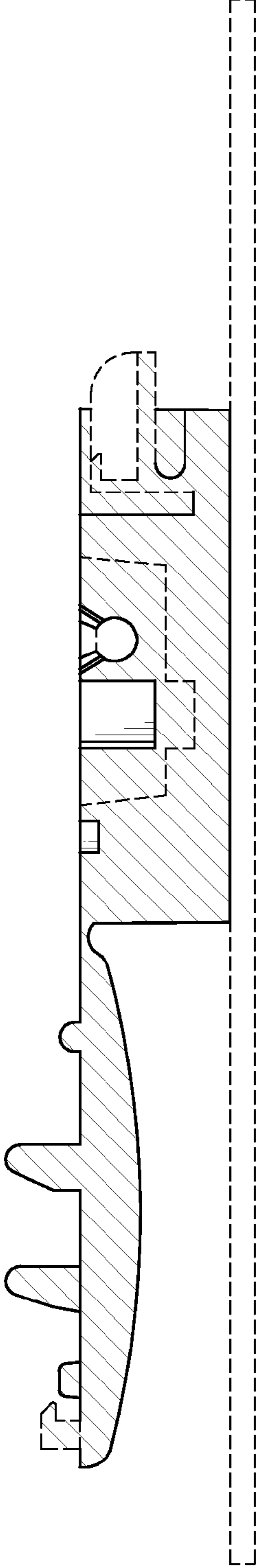


FIG. 3

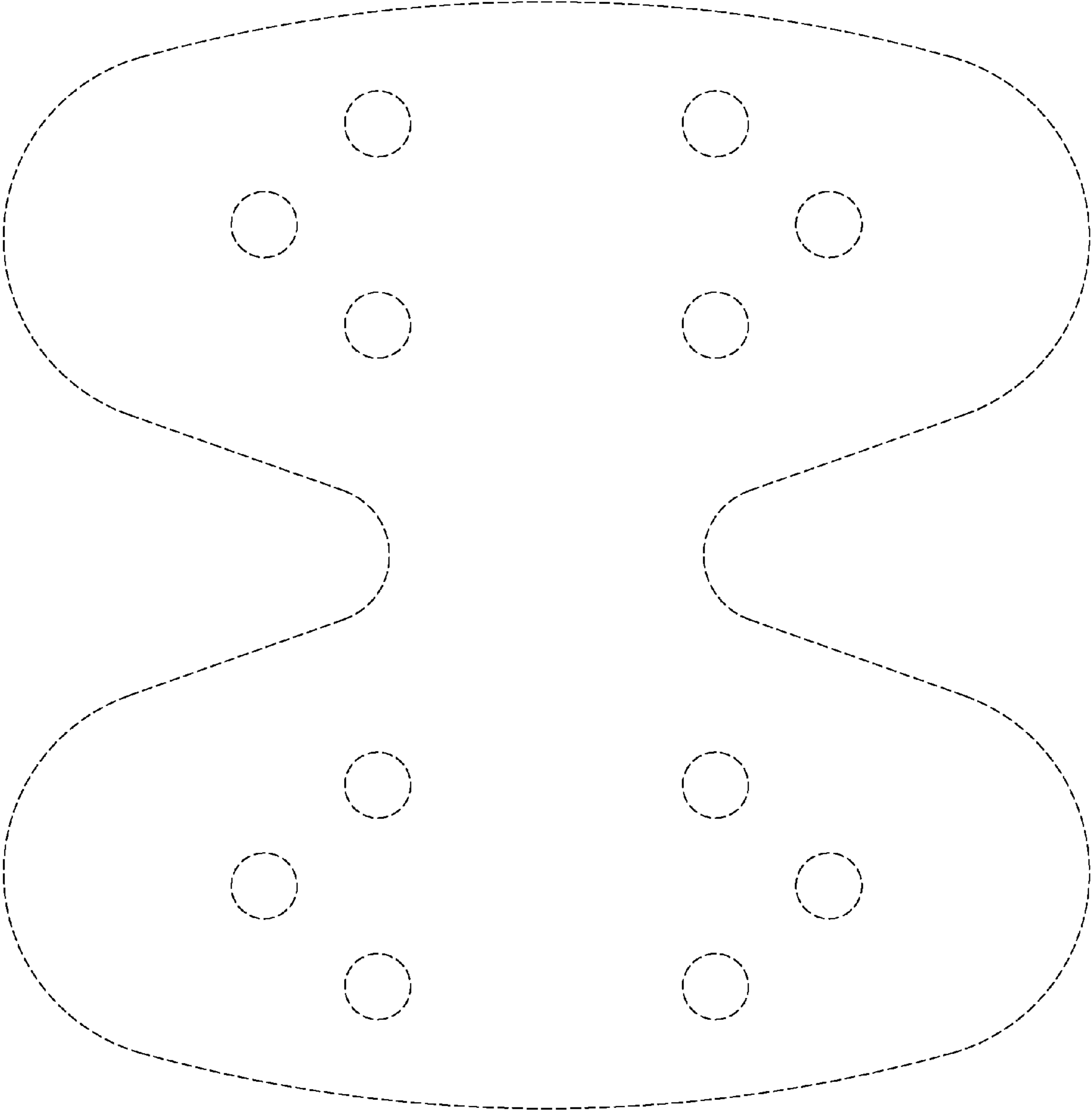


FIG. 4

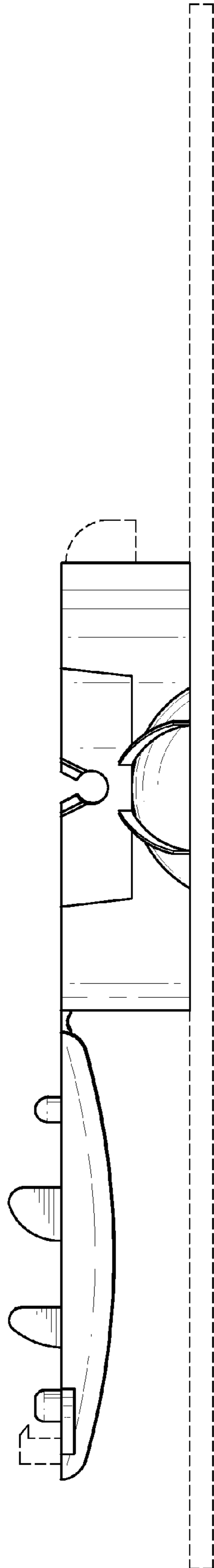


FIG. 5

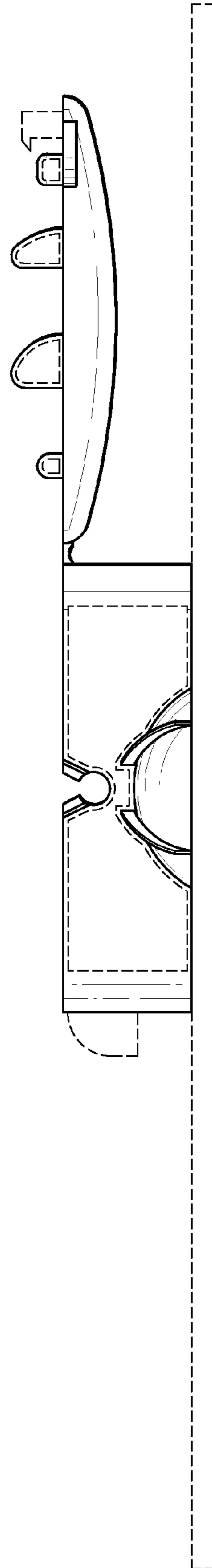


FIG. 6

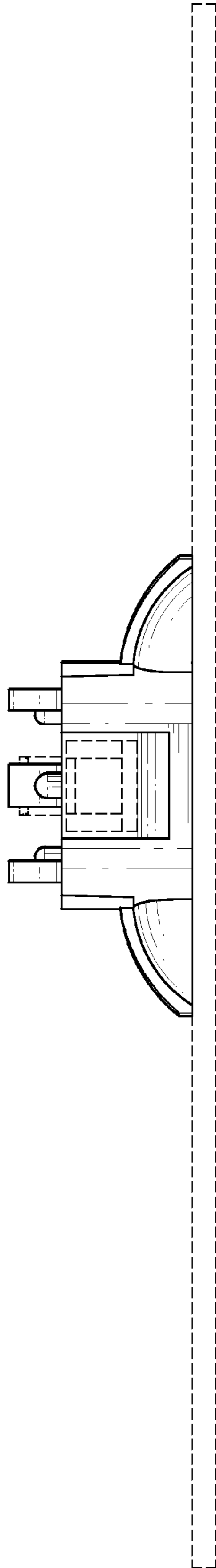


FIG. 7

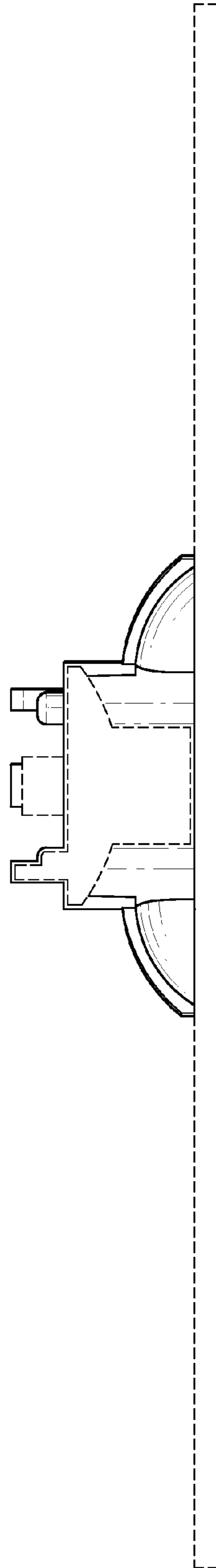


FIG. 8