



US00D629512S

(12) **United States Design Patent**
Bierman et al.

(10) **Patent No.:** **US D629,512 S**

(45) **Date of Patent:** **** Dec. 21, 2010**

(54) **CATHETER RETAINER**

(75) Inventors: **Steven Bierman**, Del Mar, CA (US);
Wayne T. Mitchell, Cardiff, CA (US);
Richard A. Pluth, San Diego, CA (US)

(73) Assignee: **Venetec International, Inc.**, Covington,
GA (US)

(**) Term: **14 Years**

(21) Appl. No.: **29/344,119**

(22) Filed: **Sep. 23, 2009**

Related U.S. Application Data

(63) Continuation of application No. 10/909,469, filed on
Aug. 2, 2004, which is a continuation of application
No. 09/897,717, filed on Jun. 29, 2001, now Pat. No.
6,770,055, which is a continuation-in-part of applica-
tion No. 09/513,054, filed on Feb. 24, 2000, now Pat.
No. 6,582,403.

(51) **LOC (9) Cl.** **24-02**

(52) **U.S. Cl.** **D24/128**

(58) **Field of Classification Search** 99/127-130,
99/189; 604/179-180, 187, 227; 602/58-59;
128/DIG. 26

See application file for complete search history.

(56) **References Cited**

U.S. PATENT DOCUMENTS

6,582,403 B1 * 6/2003 Bierman et al. 604/174

6,770,055 B2 * 8/2004 Bierman et al. 604/174

2002/0068904	A1 *	6/2002	Bierman et al.	604/180
2005/0192539	A1 *	9/2005	Bierman et al.	604/174
2007/0142782	A2 *	6/2007	Bierman	604/174
2007/0276334	A1 *	11/2007	Bierman et al.	604/180
2007/0276335	A1 *	11/2007	Bierman	604/180
2008/0154208	A1 *	6/2008	Bierman	604/180
2009/0182283	A1 *	7/2009	Sloan	604/180

* cited by examiner

Primary Examiner—T. Chase Nelson

Assistant Examiner—Eric L Goodman

(74) *Attorney, Agent, or Firm*—Knobbe, Martens, Olson &
Bear LLP

(57) **CLAIM**

The ornamental design for a catheter retainer, as shown and
described.

DESCRIPTION

FIG. 1 is a perspective view of a catheter retainer configured
in accordance with the present invention;

FIG. 2 is a top view thereof;

FIG. 3 is a bottom view thereof;

FIG. 4 is a rear view thereof;

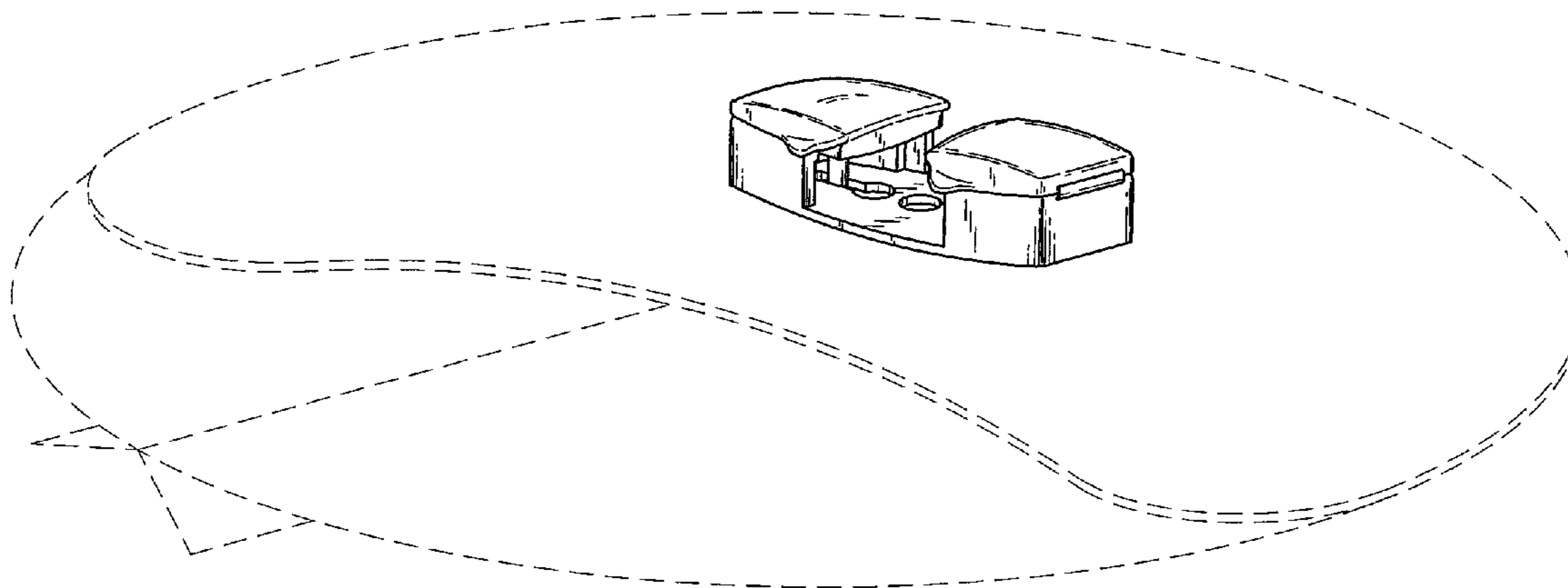
FIG. 5 is a front view thereof;

FIG. 6 is a right side view thereof; and,

FIG. 7 is a left side view thereof.

The broken line showing is included for the purpose of illus-
trating portions of the catheter retainer and forms no part of
the claimed design.

1 Claim, 5 Drawing Sheets



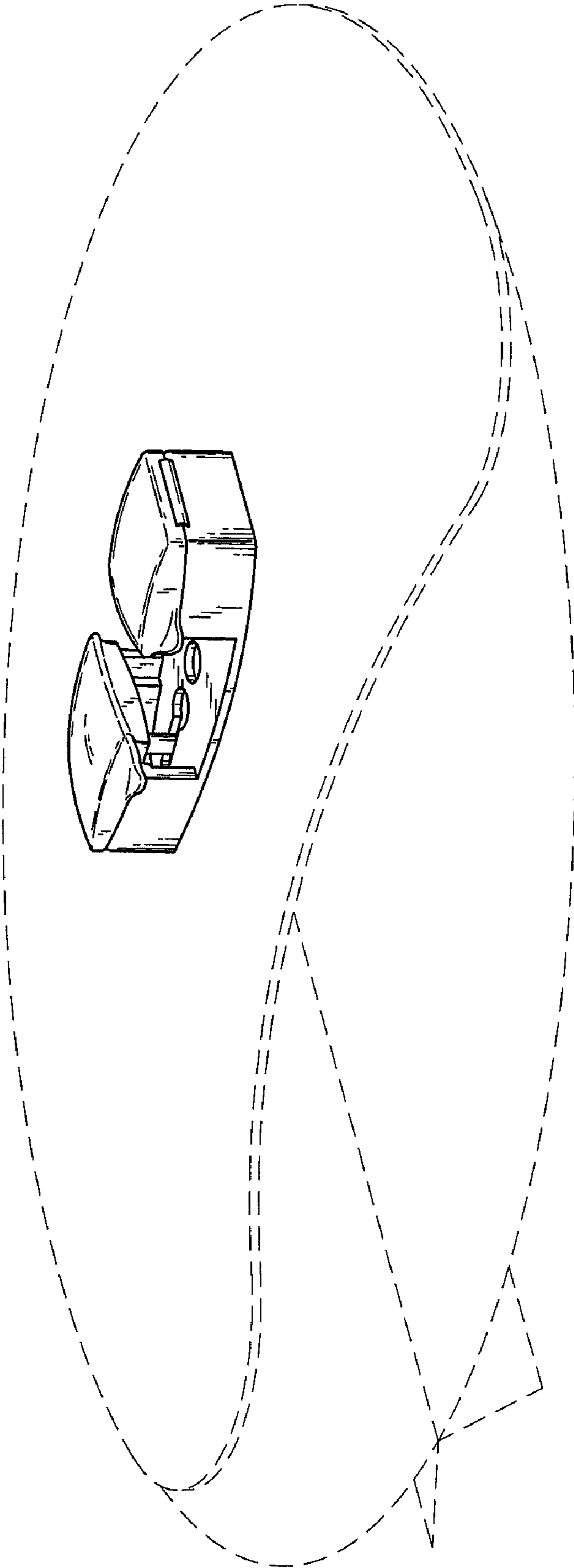


FIG. 1

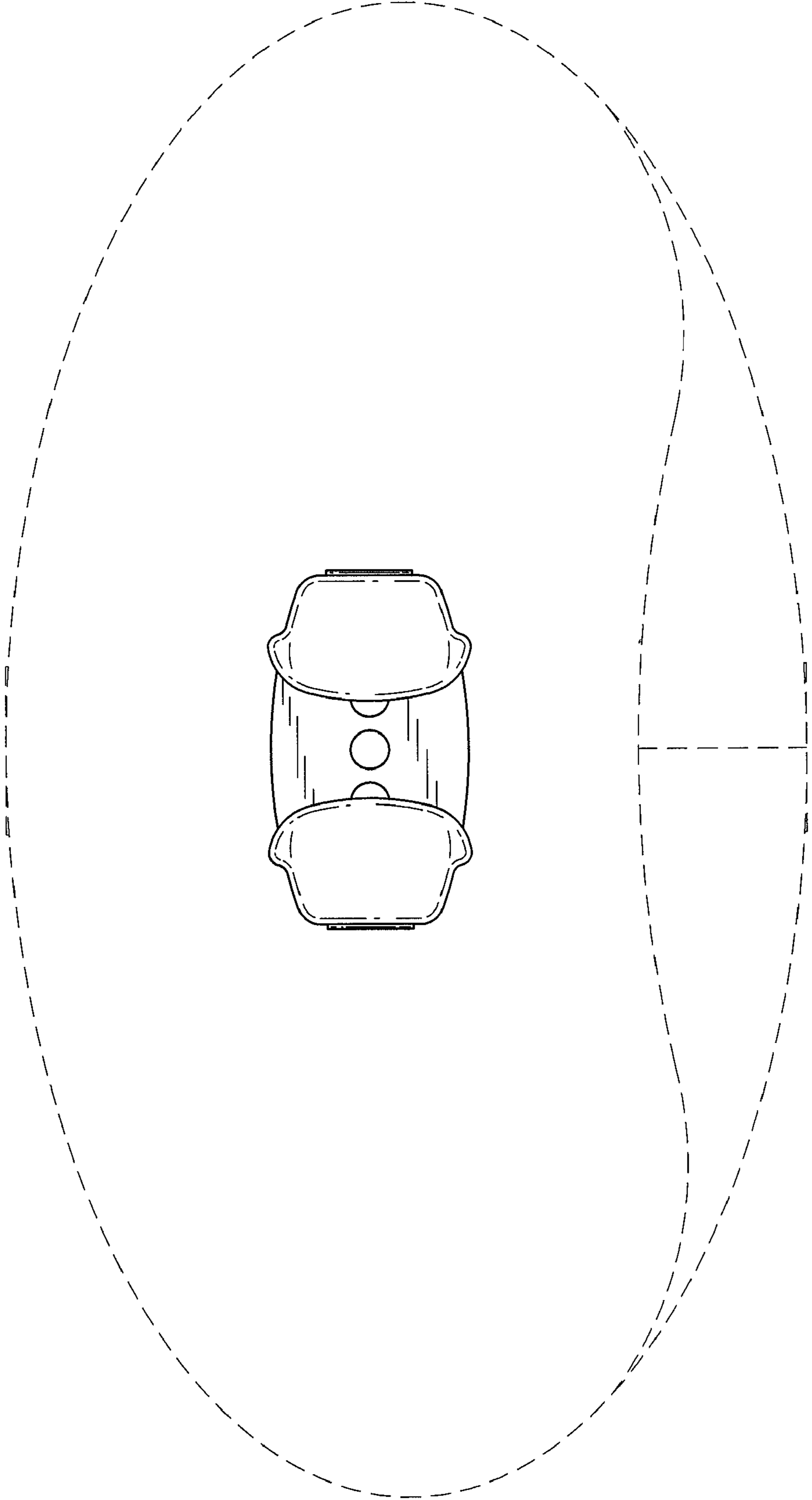


FIG. 2

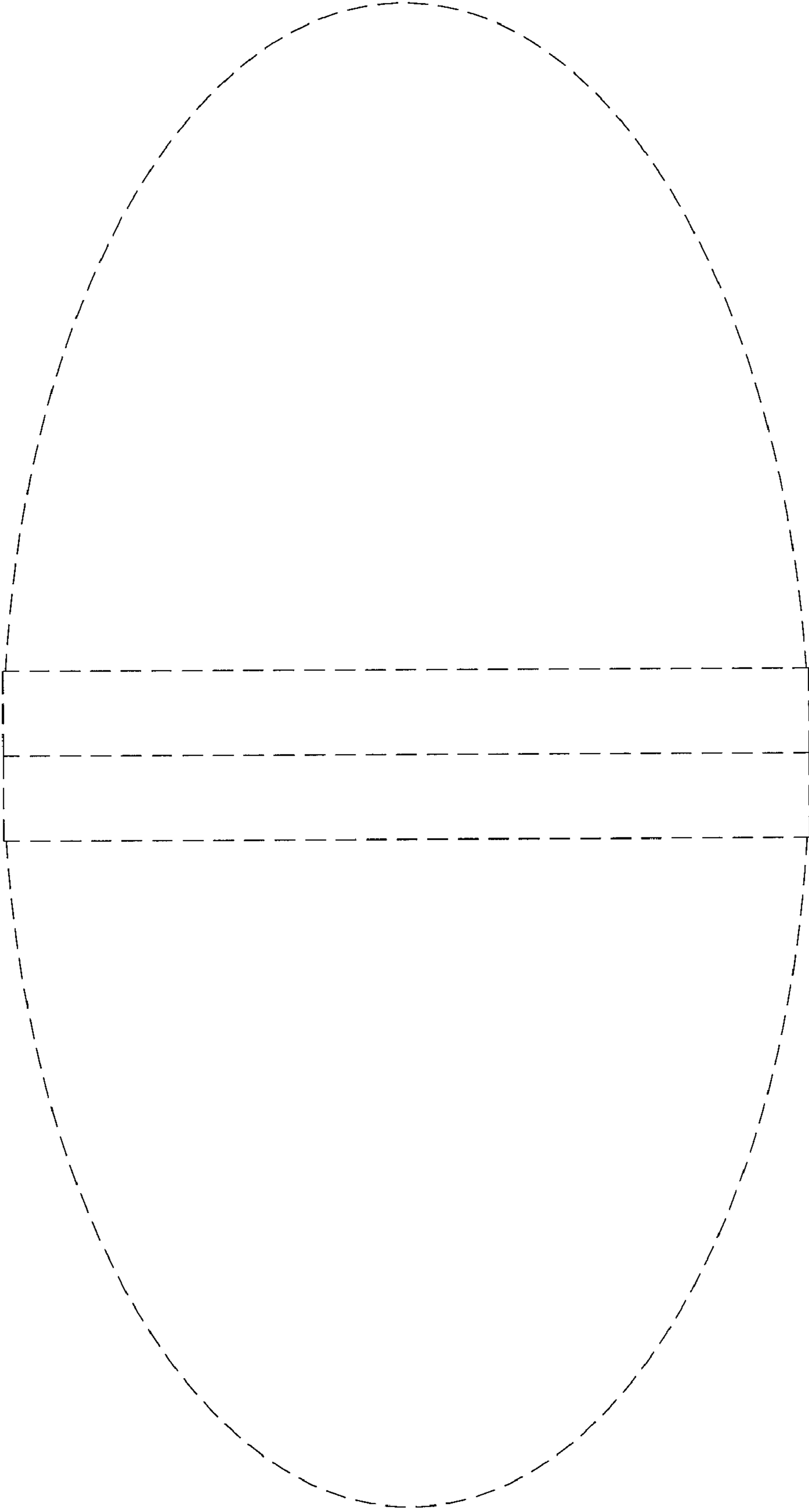


FIG. 3

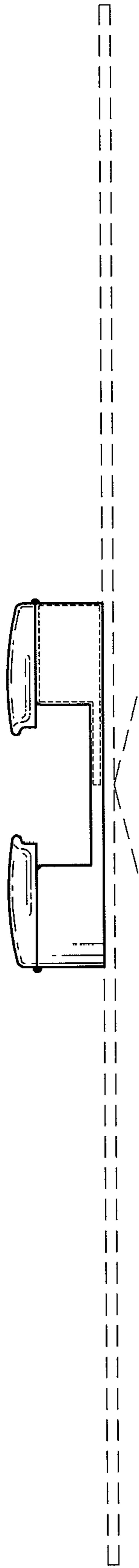


FIG. 4

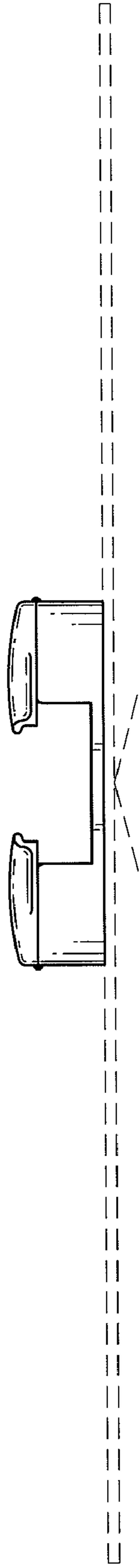


FIG. 5

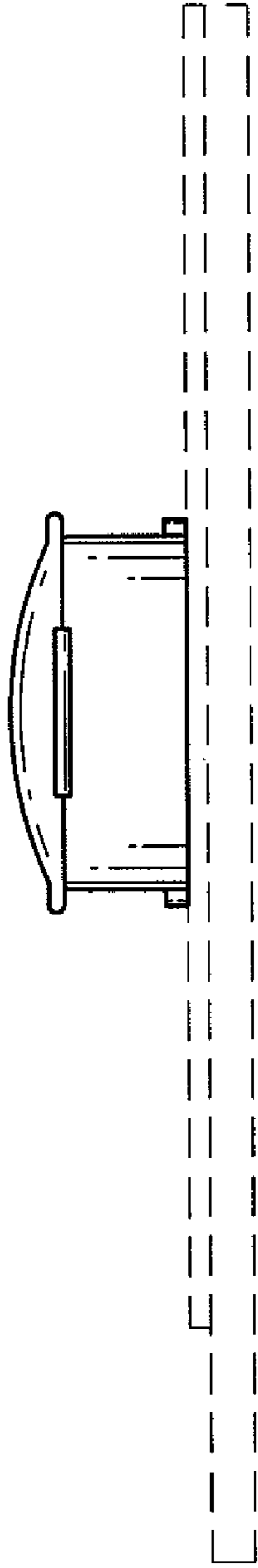


FIG. 6

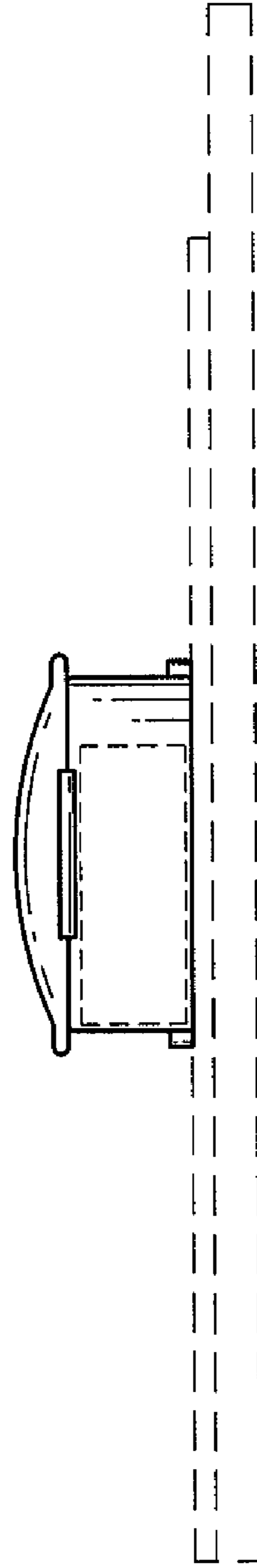


FIG. 7