



US00D629511S

(12) **United States Design Patent**
Mancini

(10) **Patent No.:** **US D629,511 S**

(45) **Date of Patent:** **** Dec. 21, 2010**

(54) **CLAMP FOR MEDICAL EQUIPMENT**

(76) Inventor: **Joseph Mancini**, 355 Jackson St.,
Philadelphia, PA (US) 19148

(**) Term: **14 Years**

(21) Appl. No.: **29/315,774**

(22) Filed: **Jul. 22, 2009**

(51) **LOC (9) Cl.** **24-02**

(52) **U.S. Cl.** **D24/128**

(58) **Field of Classification Search** D24/127-128;
D6/567; D8/356; 604/177-180, 174; 128/DIG. 26;
248/68.1, 205.2, 74.4, 316.4, 316.2

See application file for complete search history.

(56) **References Cited**

U.S. PATENT DOCUMENTS

4,971,271	A *	11/1990	Sularz	248/68.1
D378,408	S *	3/1997	Pyeatt et al.	D24/128
D379,509	S *	5/1997	Macko	D24/128
5,709,665	A *	1/1998	Vergano et al.	604/174
5,795,335	A *	8/1998	Zinreich	604/174
6,620,105	B2 *	9/2003	Sharpe	600/508
7,457,506	B1 *	11/2008	Osborne, II	385/136
2003/0132352	A1 *	7/2003	Weaver	248/68.1
2004/0118982	A1 *	6/2004	Shillings et al.	248/68.1
2004/0135039	A1 *	7/2004	Reichert et al.	248/68.1

* cited by examiner

Primary Examiner—T. Chase Nelson

Assistant Examiner—Eric L Goodman

(74) *Attorney, Agent, or Firm*—Stuart M. Goldstein

(57) **CLAIM**

The ornamental design for a clamp for medical equipment, as shown and described.

DESCRIPTION

FIG. 1 is an isometric view of the clamp of the present invention as it is to be used to retain fluid transfer hoses for medical equipment. The broken lines showing the hoses and medical equipment are included for the purpose of illustrating the present invention design and form no part of the claimed design.

FIG. 2 is a bottom isometric view of the clamp of the present invention.

FIG. 3 is a top view of the clamp of the present invention.

FIG. 4 is a bottom view of the clamp of the present invention.

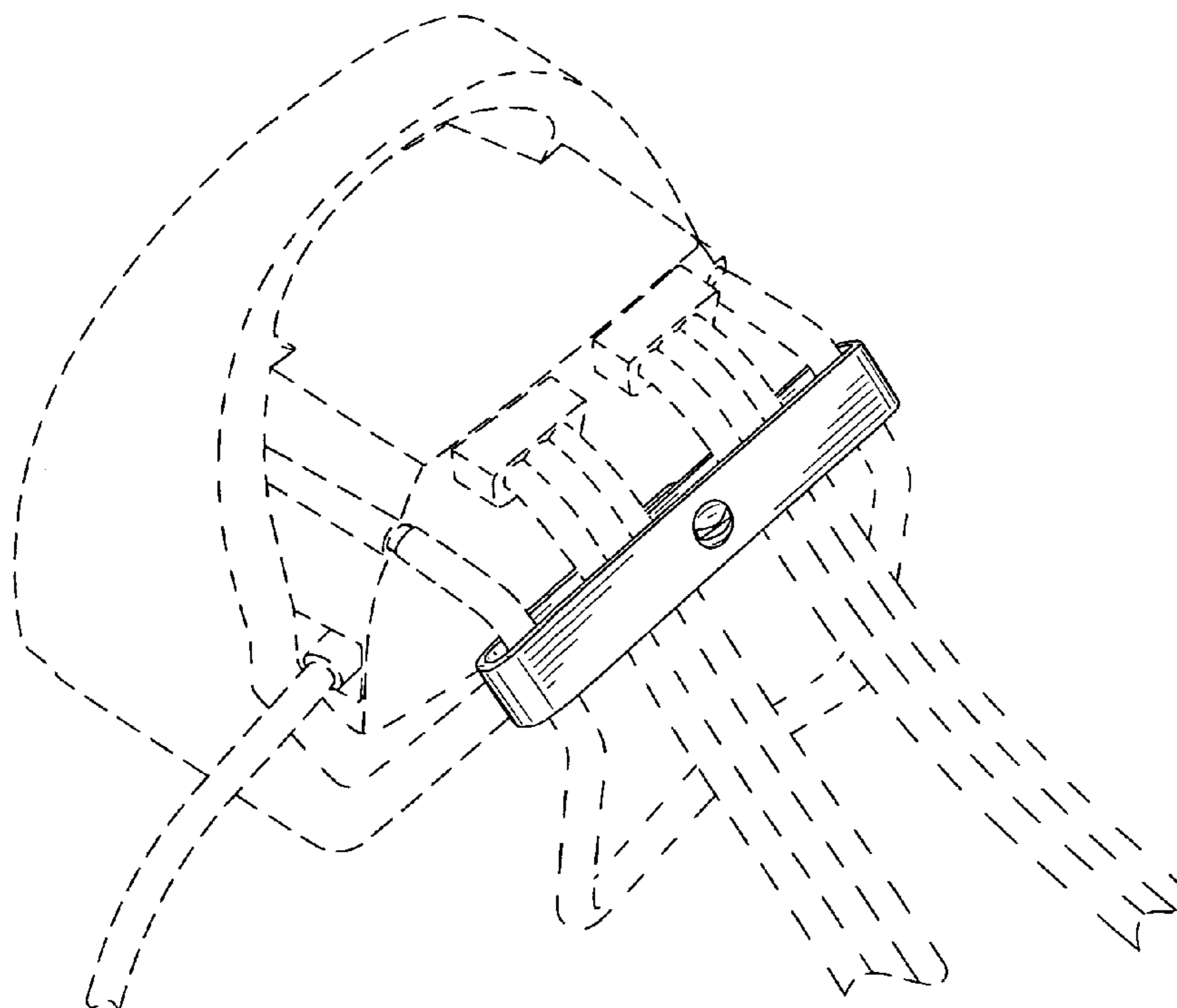
FIG. 5 is an elevation view of the clamp of the present invention.

FIG. 6 is the opposite elevation view of the clamp of the present invention.

FIG. 7 is the front view of the clamp of the present invention; and,

FIG. 8 is the rear view of the clamp of the present invention.

1 Claim, 5 Drawing Sheets



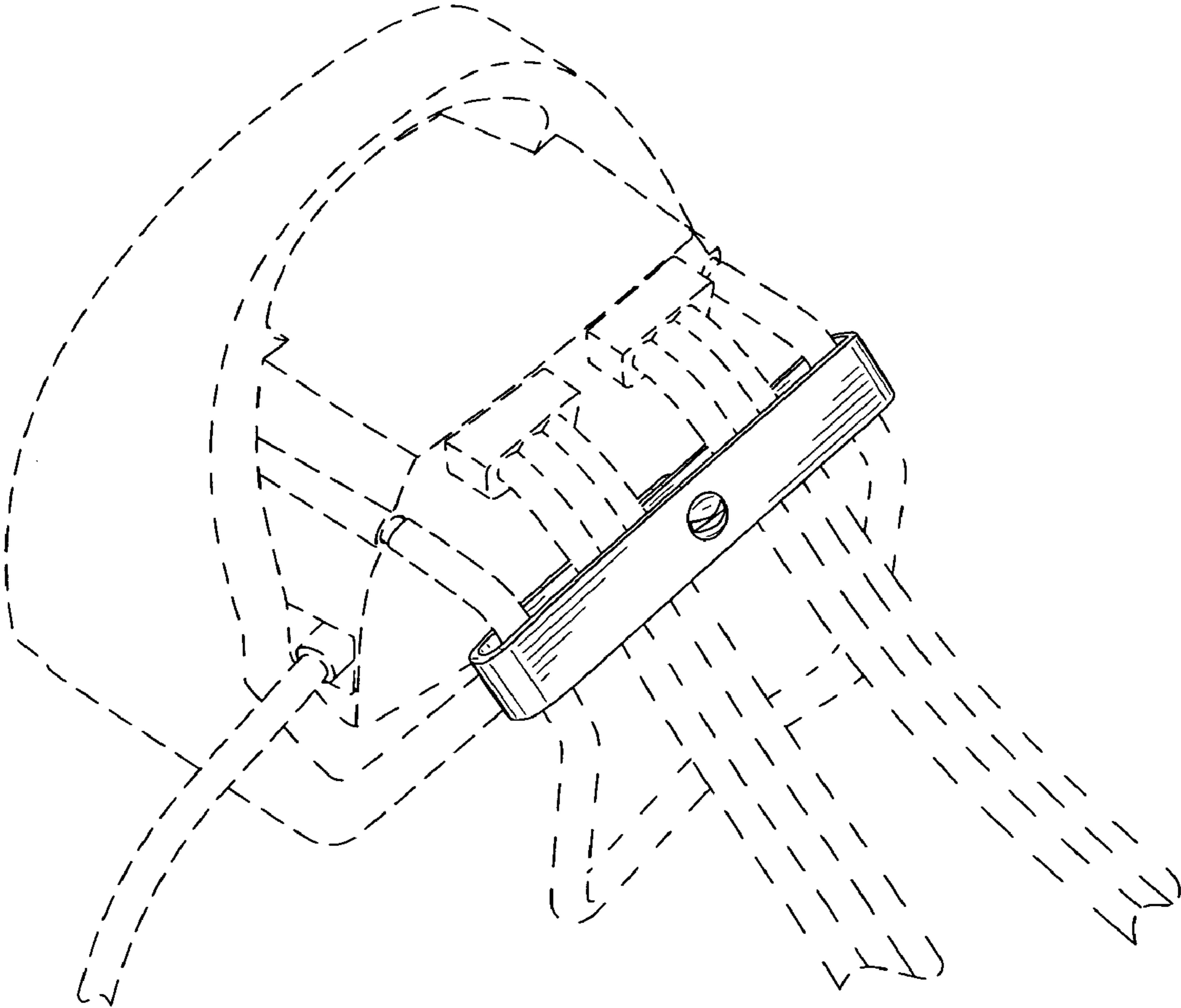


FIG. 1

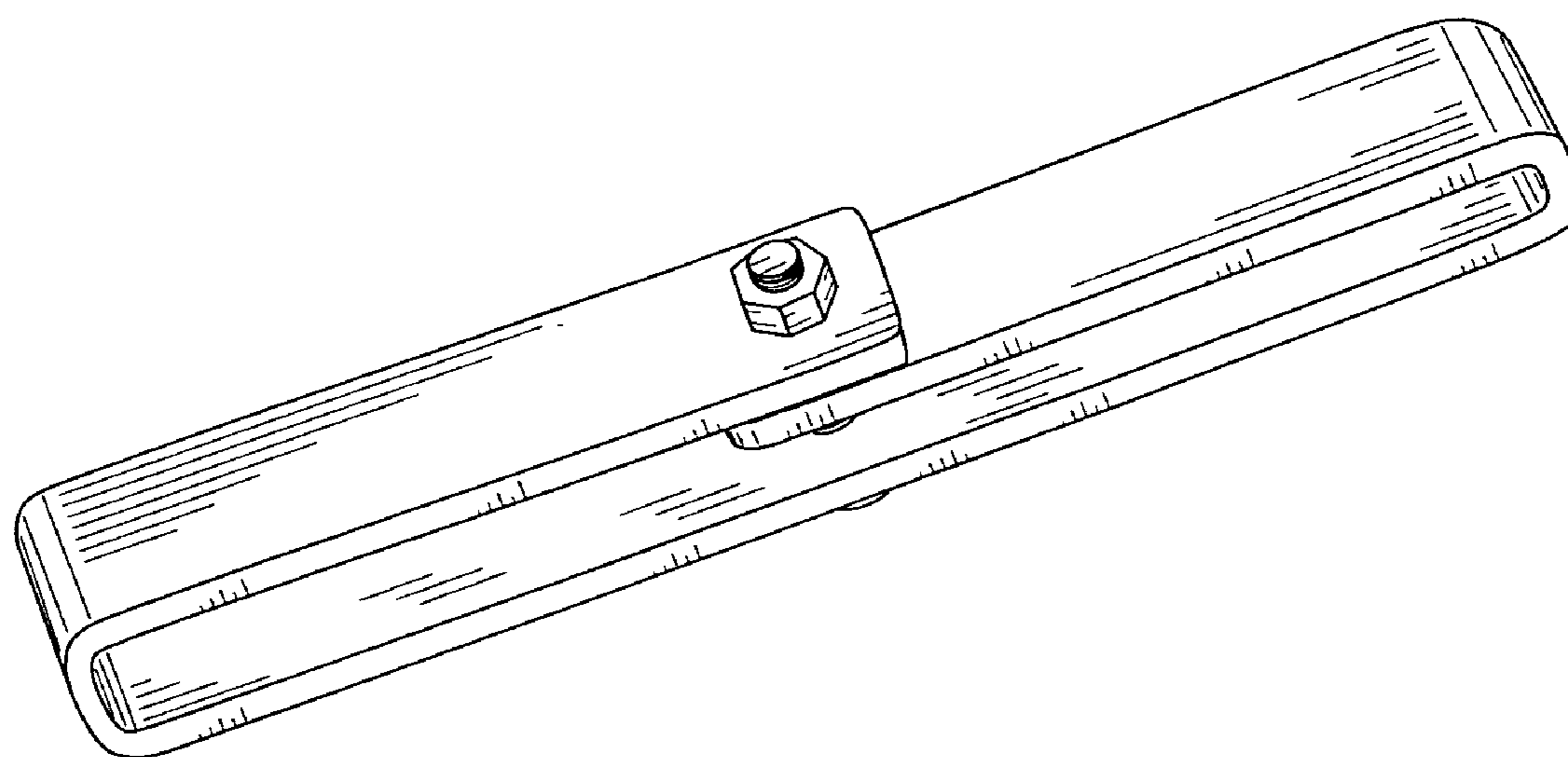


FIG. 2

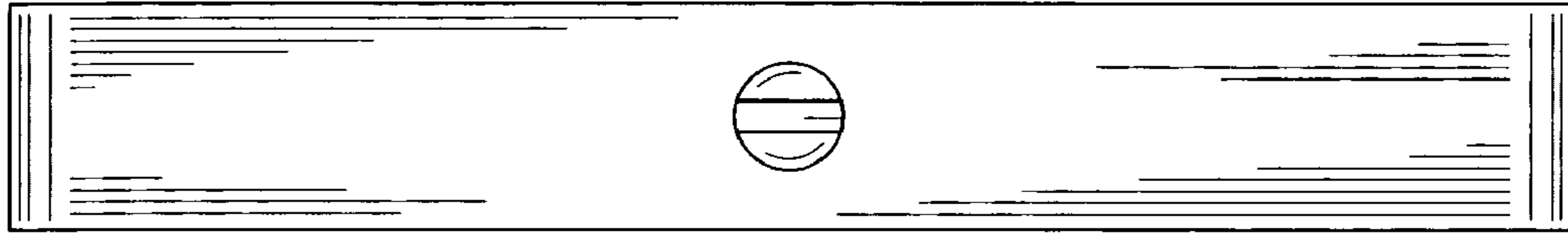


FIG. 3

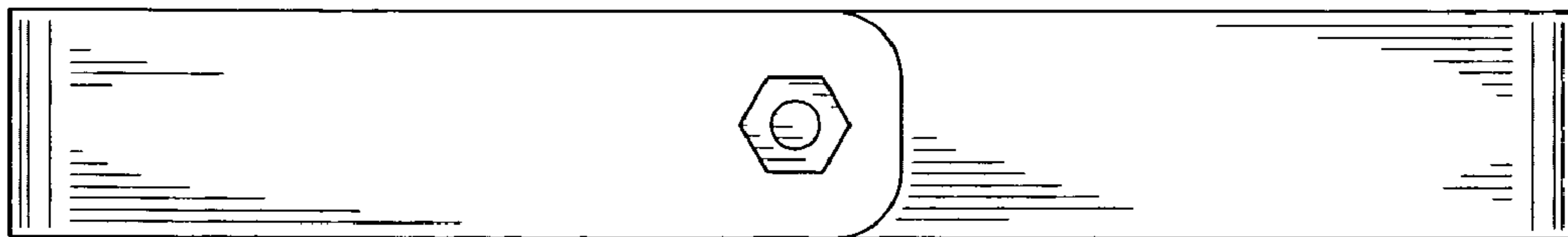


FIG. 4

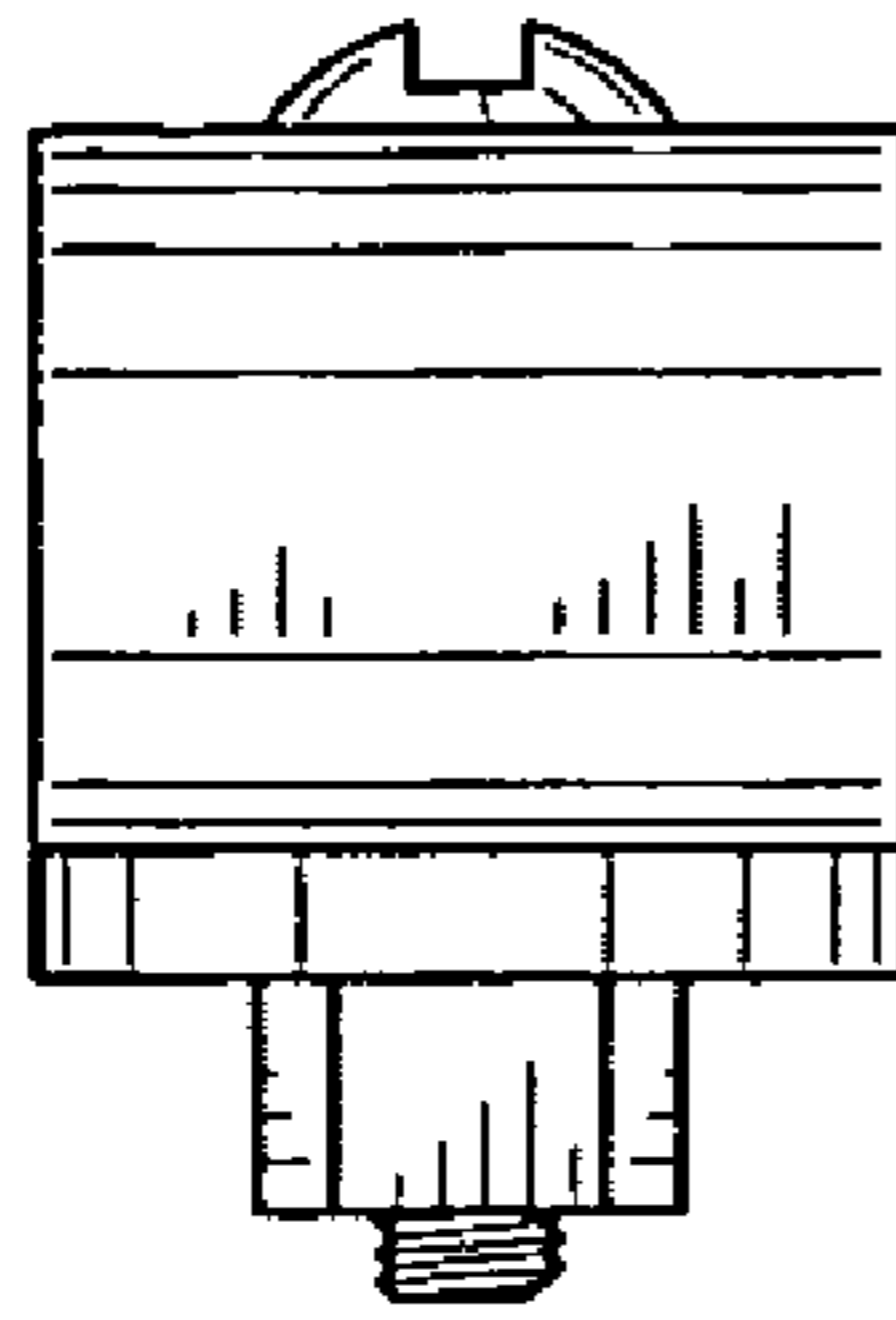


FIG. 5

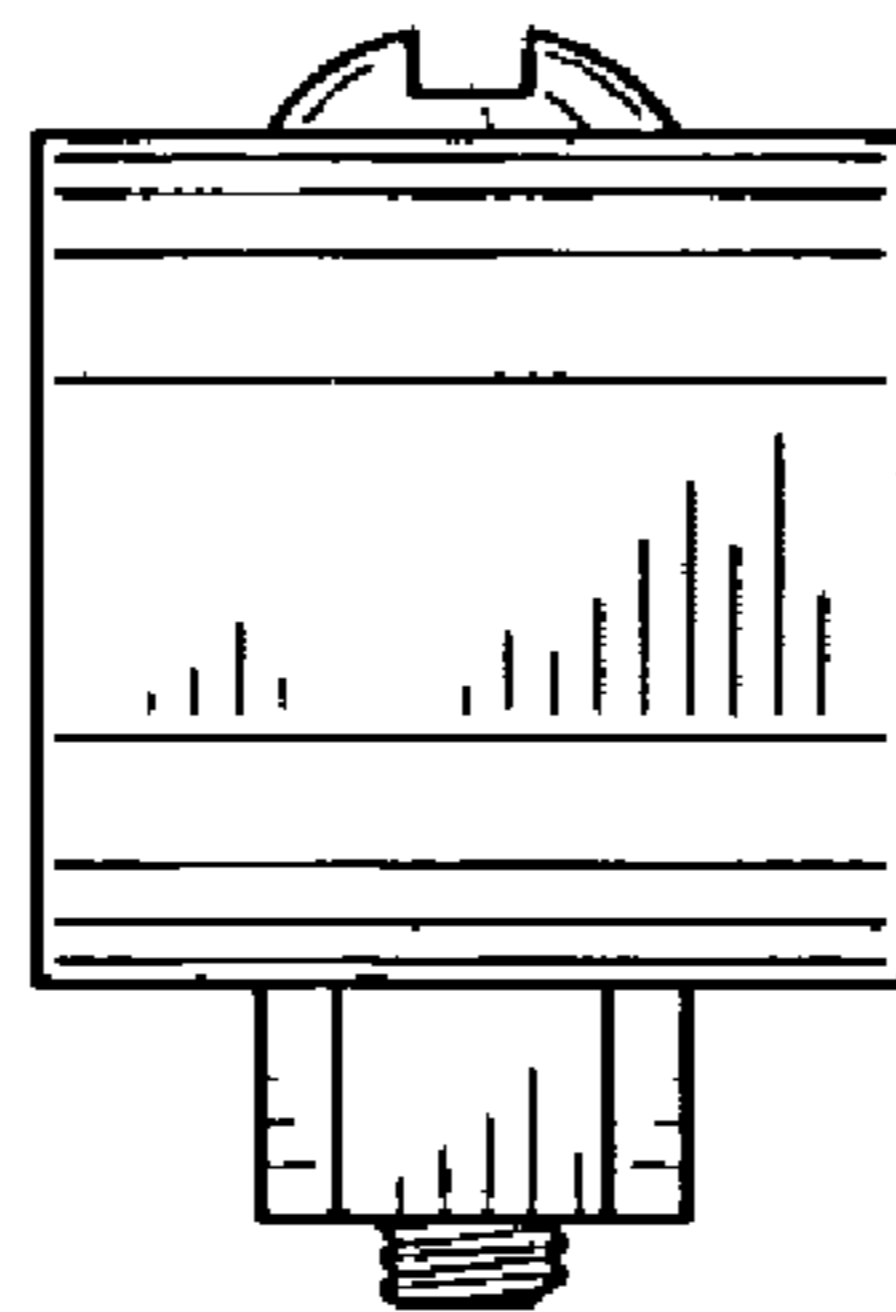


FIG. 6

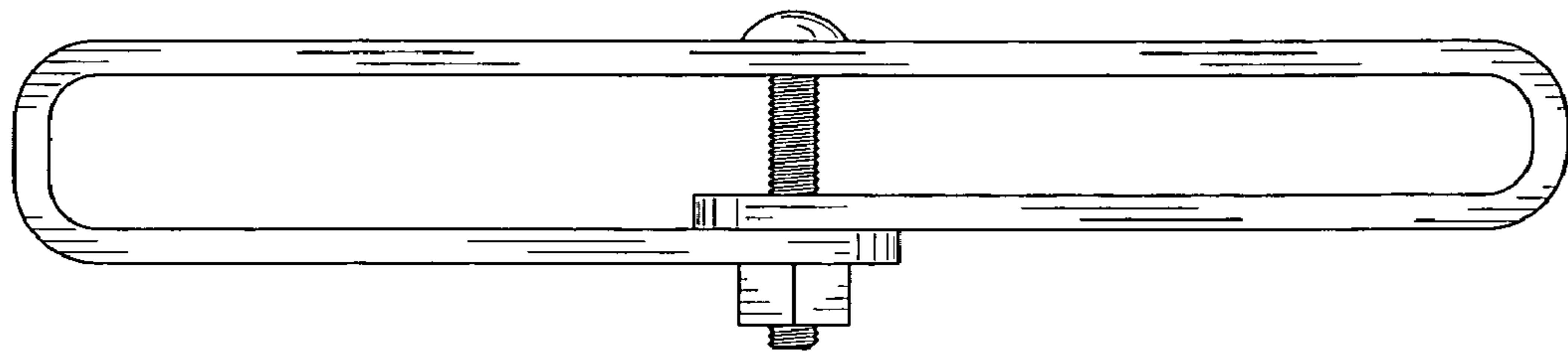


FIG. 7

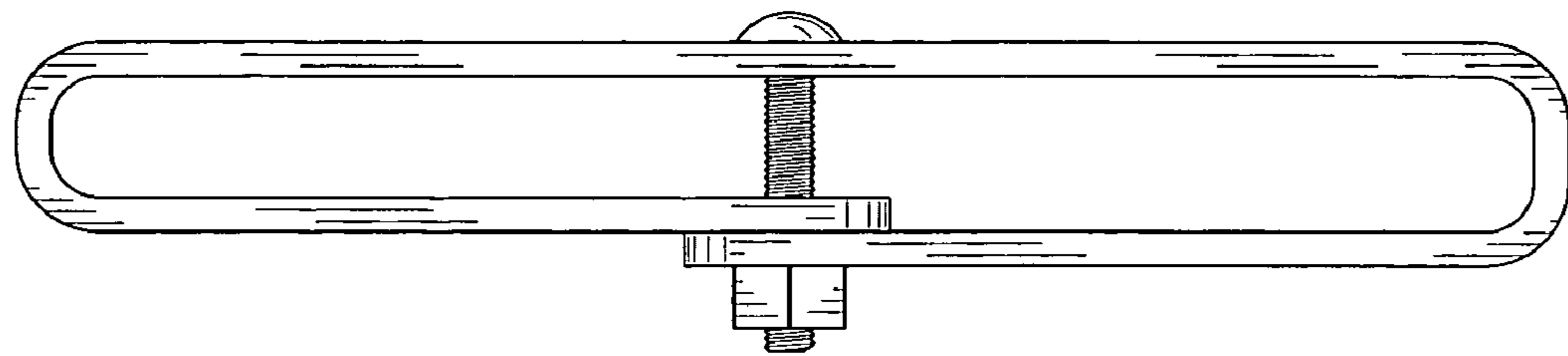


FIG. 8