



US00D629508S

(12) **United States Design Patent**
Zuyderhoudt

(10) **Patent No.:** **US D629,508 S**

(45) **Date of Patent:** **** Dec. 21, 2010**

(54) **INHALER**

(75) **Inventor:** **Krijn Franciscus Marie Zuyderhoudt,**
Leiden (NL)

(73) **Assignee:** **Teva Pharmaceuticals Ireland,**
Waterford (IE)

(**) **Term:** **14 Years**

(21) **Appl. No.:** **29/357,174**

(22) **Filed:** **Mar. 8, 2010**

(30) **Foreign Application Priority Data**

Sep. 10, 2009 (EM) 001164032-0001

(51) **LOC (9) Cl.** **24-01**

(52) **U.S. Cl.** **D24/110.5**

(58) **Field of Classification Search** D24/108-110.5;
128/200.14-200.23, 203.12-203.24
See application file for complete search history.

(56) **References Cited**

U.S. PATENT DOCUMENTS

- D311,443 S * 10/1990 Long et al. D24/110
- 5,855,307 A * 1/1999 Biddick et al. 224/267
- D433,502 S * 11/2000 Rand D24/110
- 6,164,275 A * 12/2000 Van Iderstine 128/200.14
- D461,239 S * 8/2002 Cassidy D24/110
- D475,133 S * 5/2003 McLuckie D24/110

- 6,752,145 B1 * 6/2004 Bonney et al. 128/200.23
- 6,805,116 B2 * 10/2004 Hodson et al. 128/200.23
- D529,605 S * 10/2006 Huxham et al. D24/110
- D556,896 S * 12/2007 Logan D24/110
- D571,001 S * 6/2008 Warby et al. D24/110
- D610,249 S * 2/2010 Robinson D24/110

* cited by examiner

Primary Examiner—Charles A Rademaker

Assistant Examiner—Charles D Hanson

(74) *Attorney, Agent, or Firm*—Christensen O'Connor
Johnson Kindness PLLC

(57) **CLAIM**

The ornamental design for an inhaler, as shown.

DESCRIPTION

FIG. 1 is a perspective view of an inhaler showing my new design;

FIG. 2 is a side elevation thereof;

FIG. 3 is an end elevation thereof;

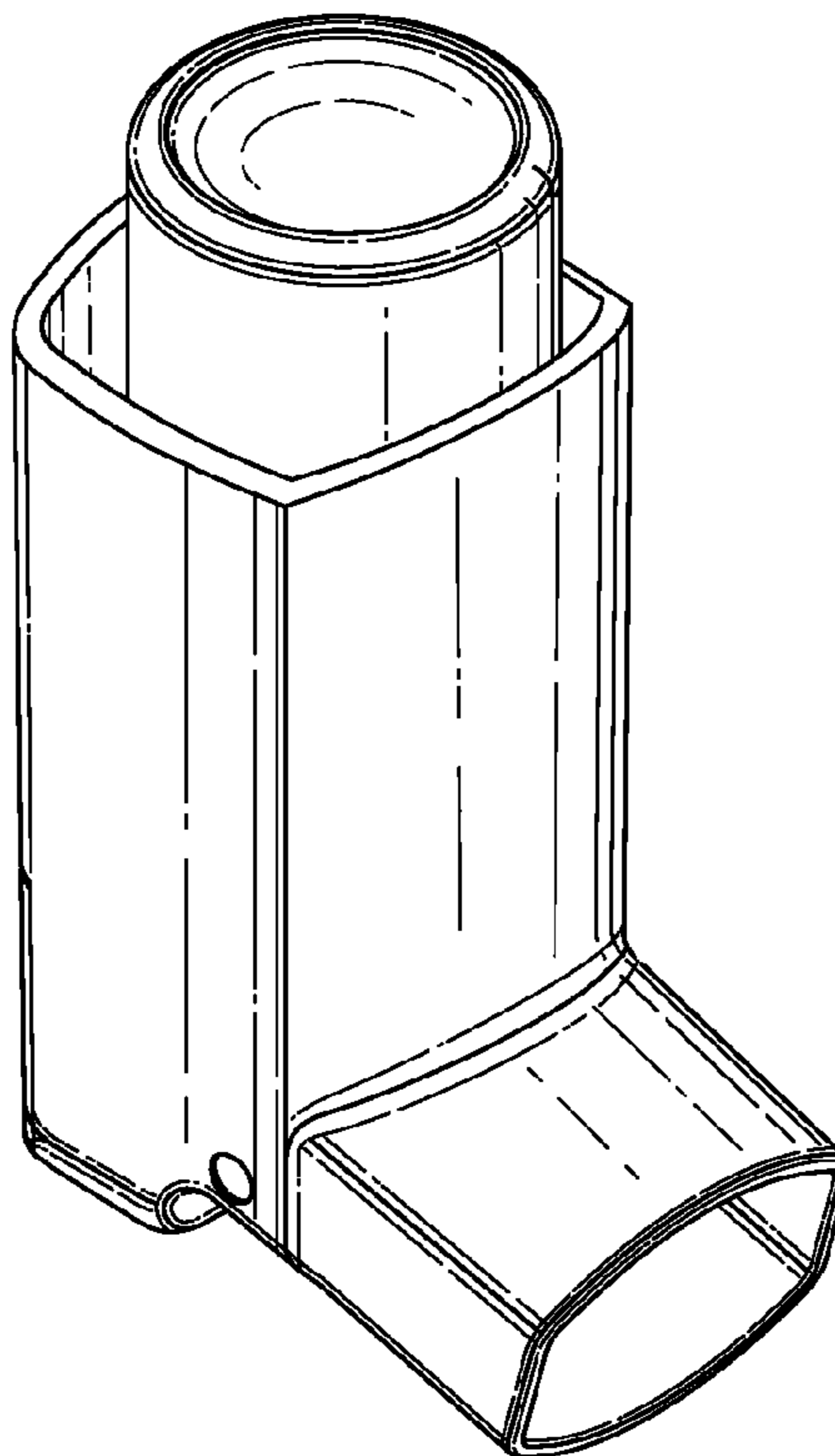
FIG. 4 is a side elevation of the side opposite that shown in FIG. 2;

FIG. 5 is an end elevation of the end opposite that shown in FIG. 3;

FIG. 6 is a bottom plan view thereof; and,

FIG. 7 is a top plan view thereof.

1 Claim, 2 Drawing Sheets



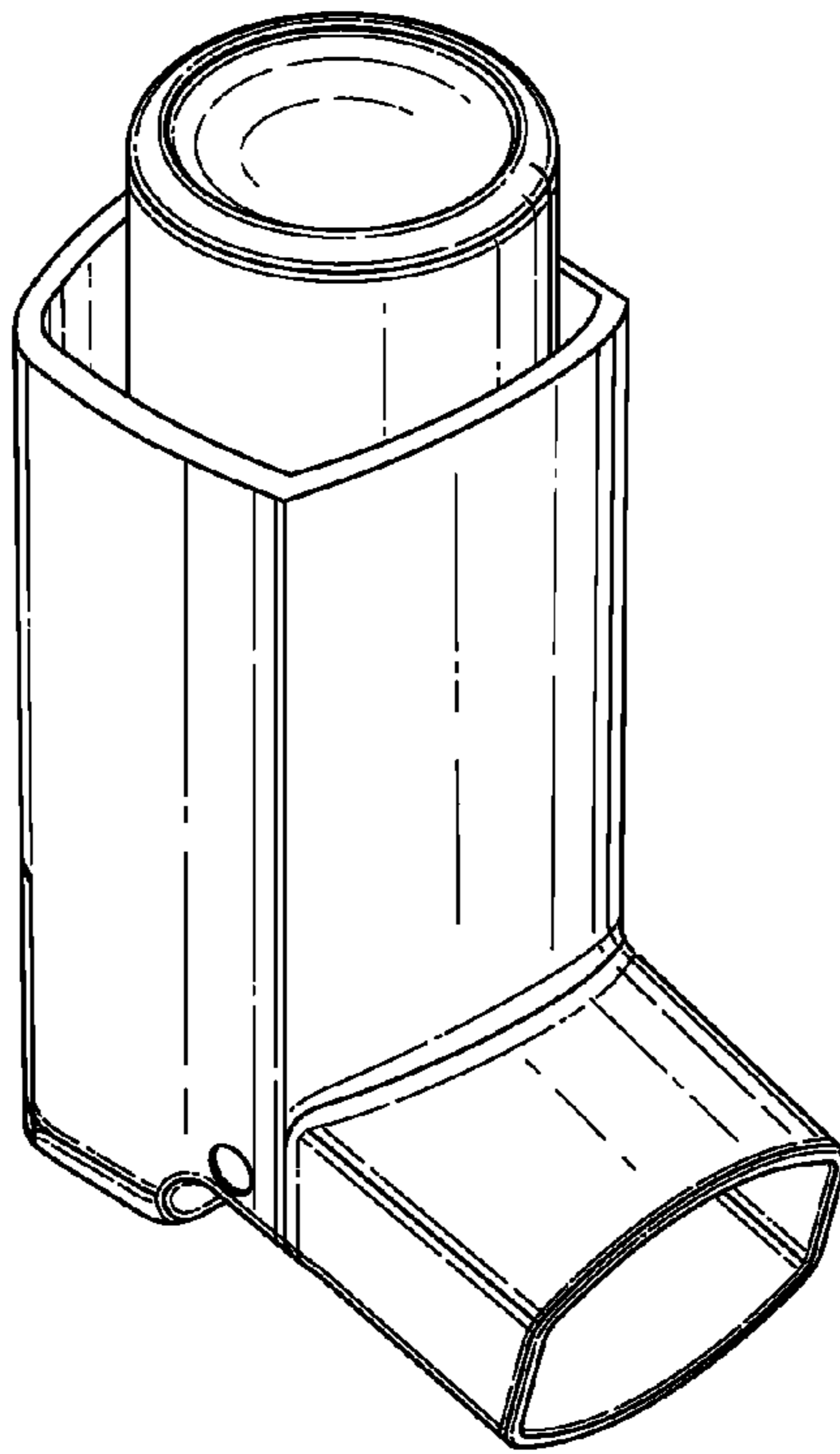


Fig. 1.

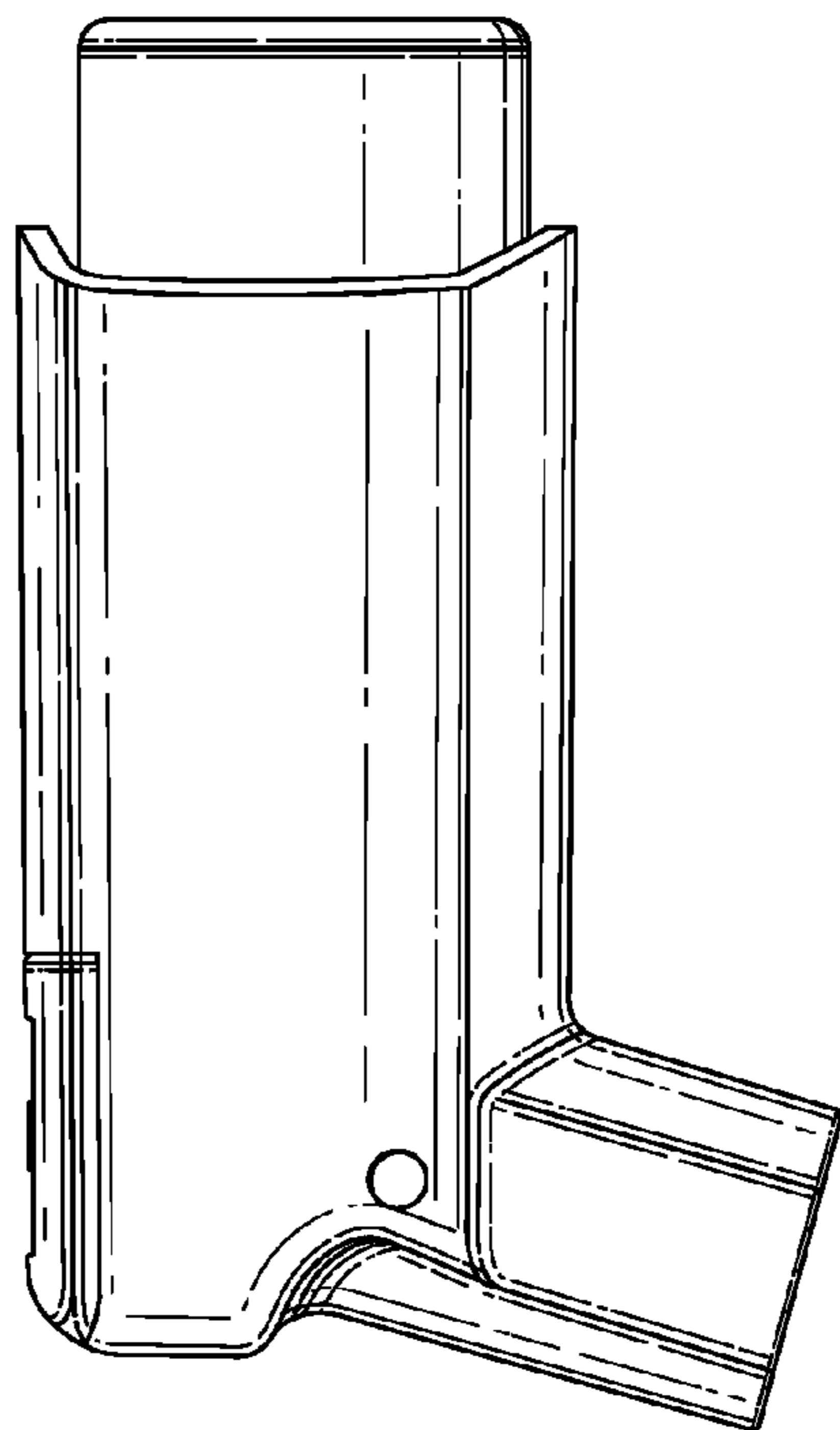


Fig. 2.

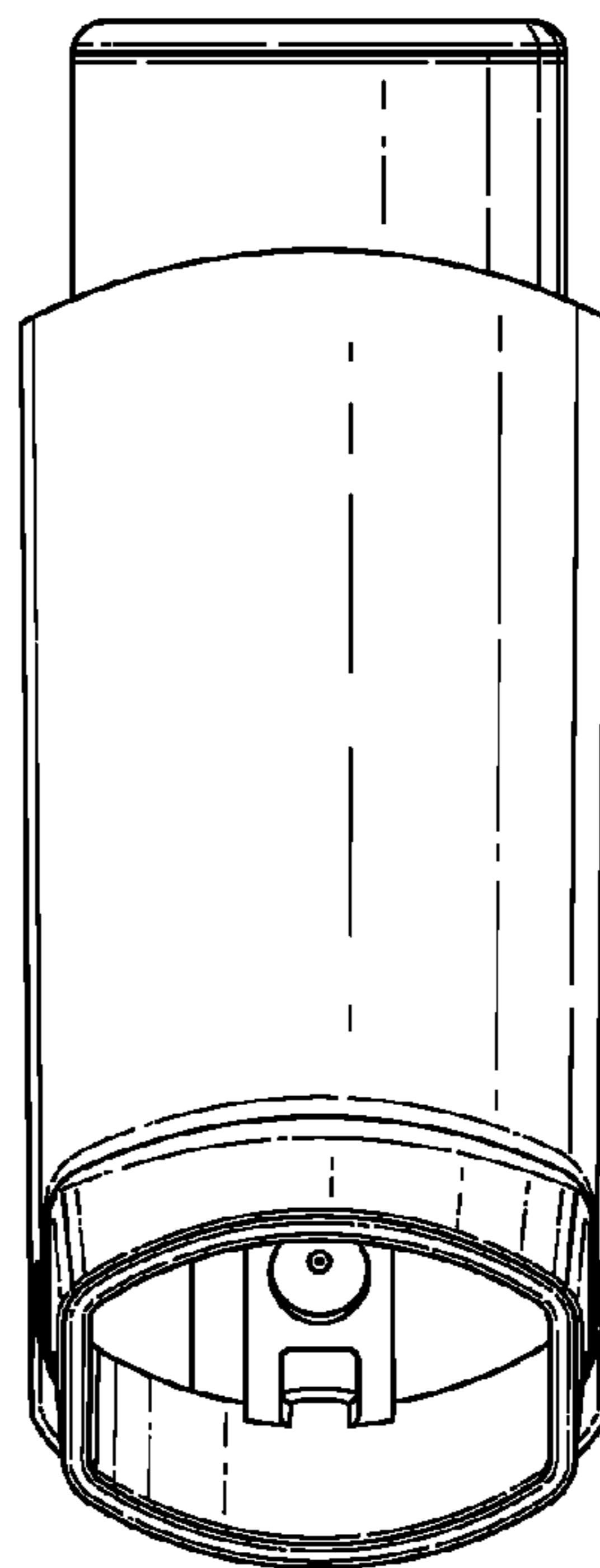


Fig. 3.

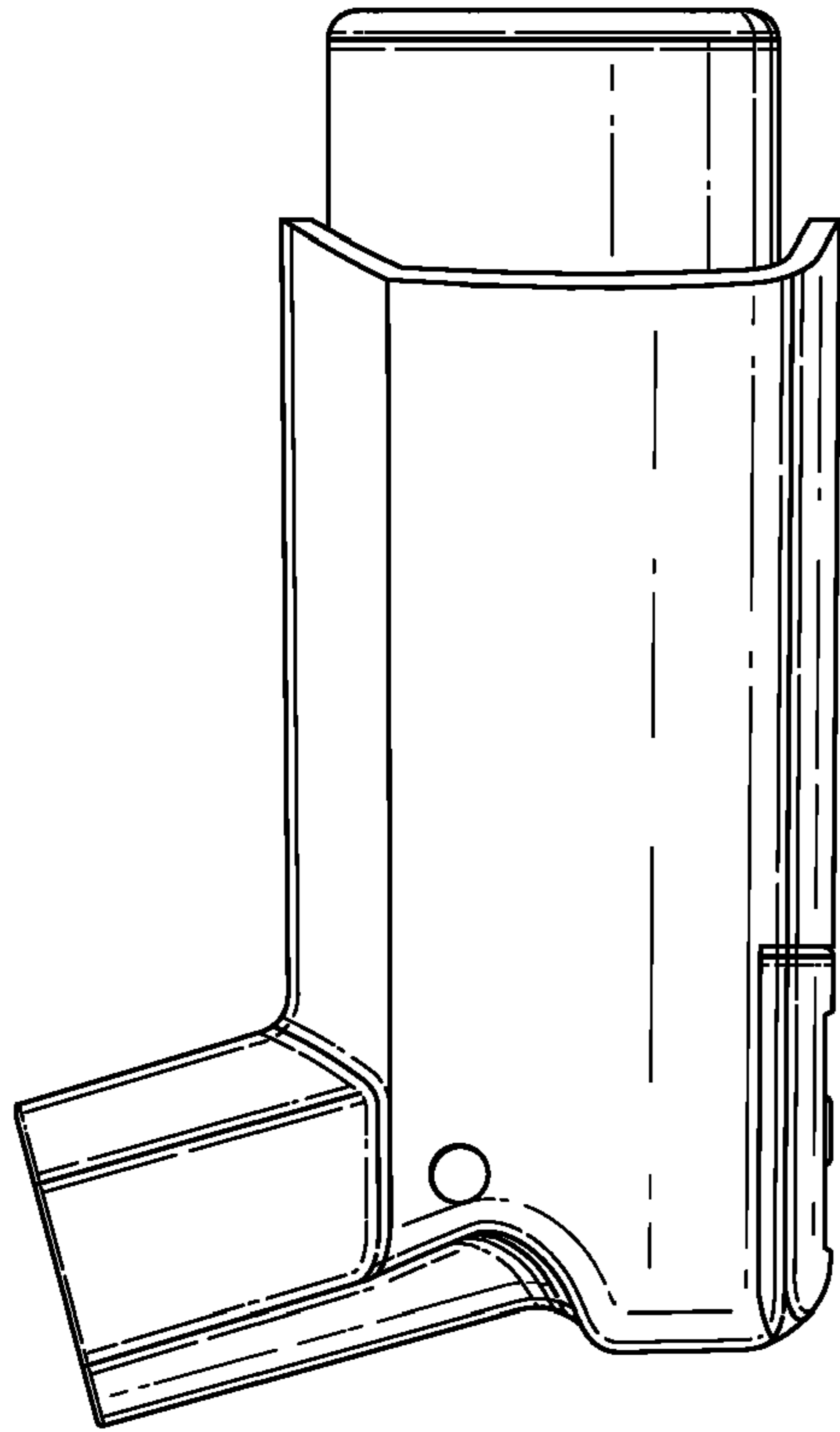


Fig.4.

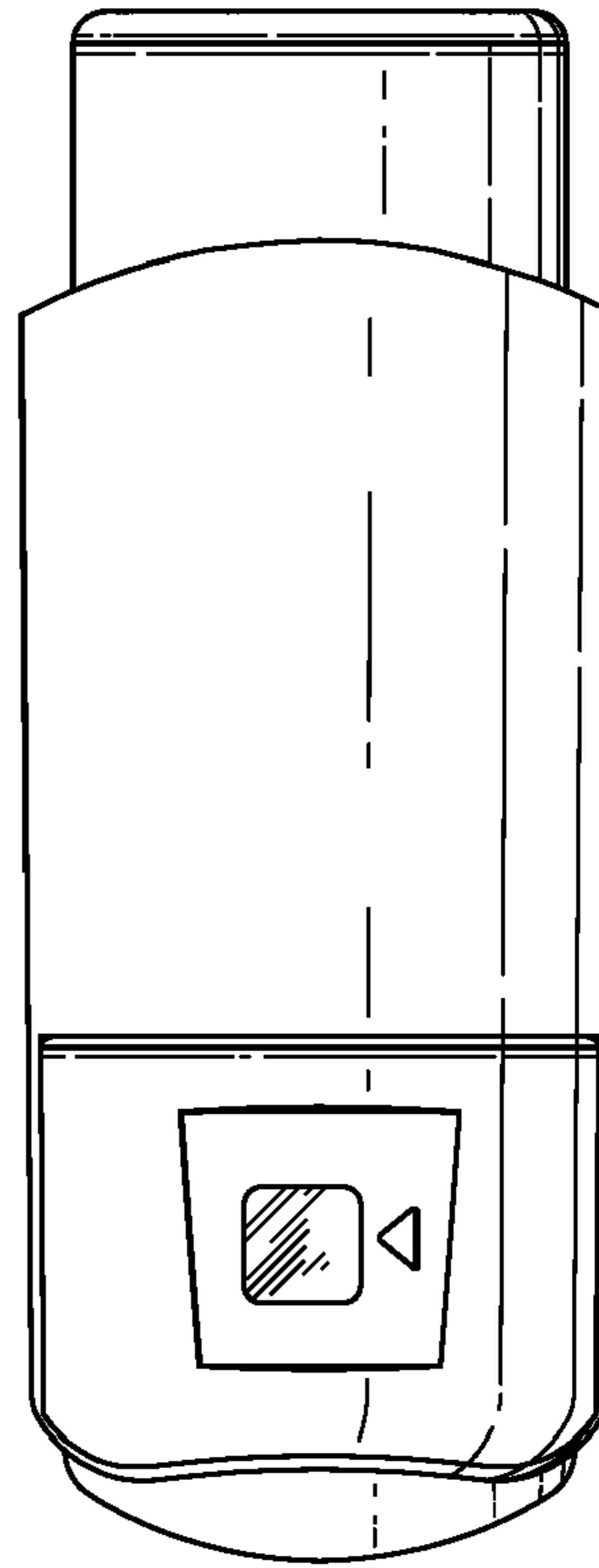


Fig.5.

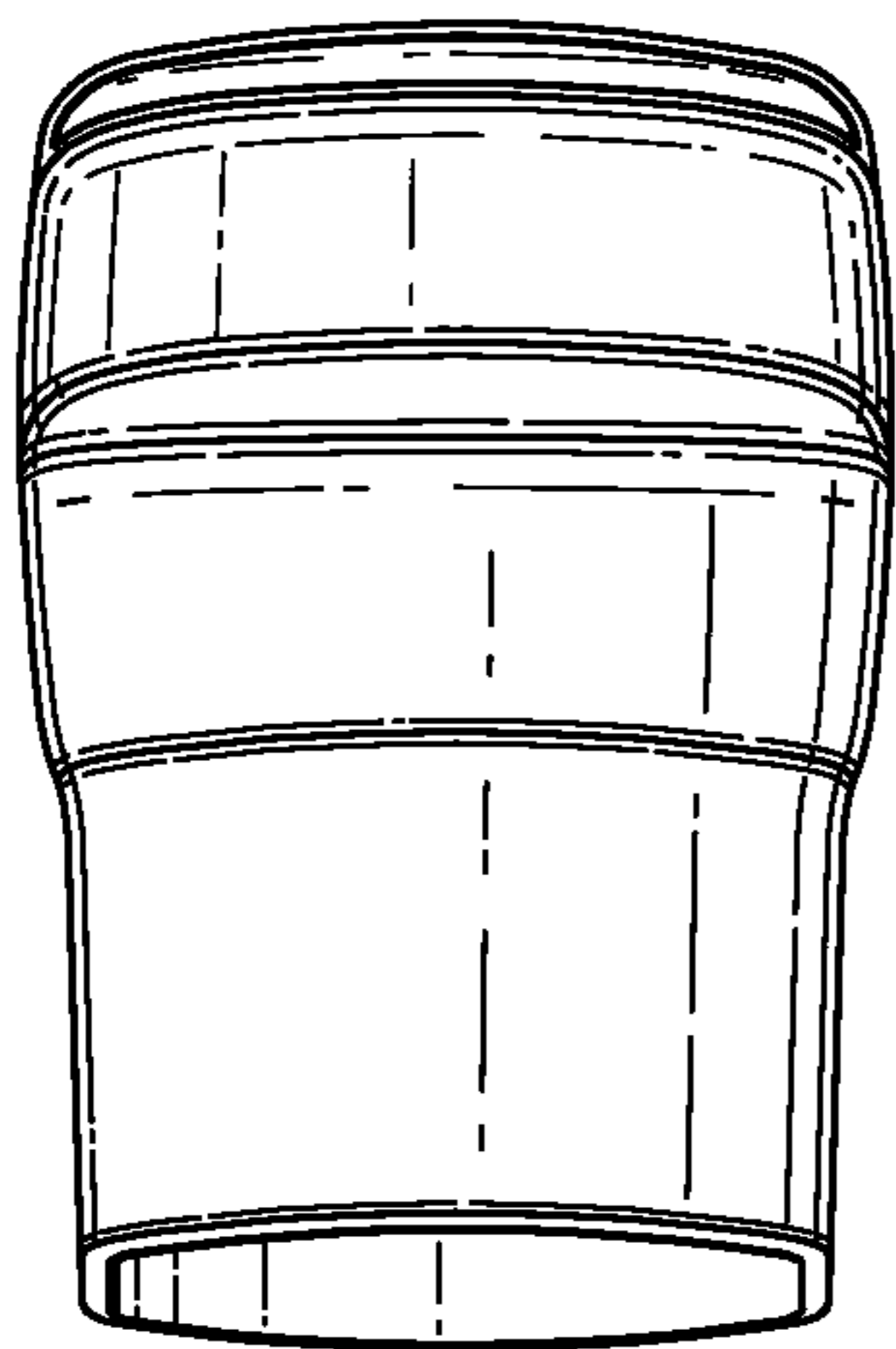


Fig.6.

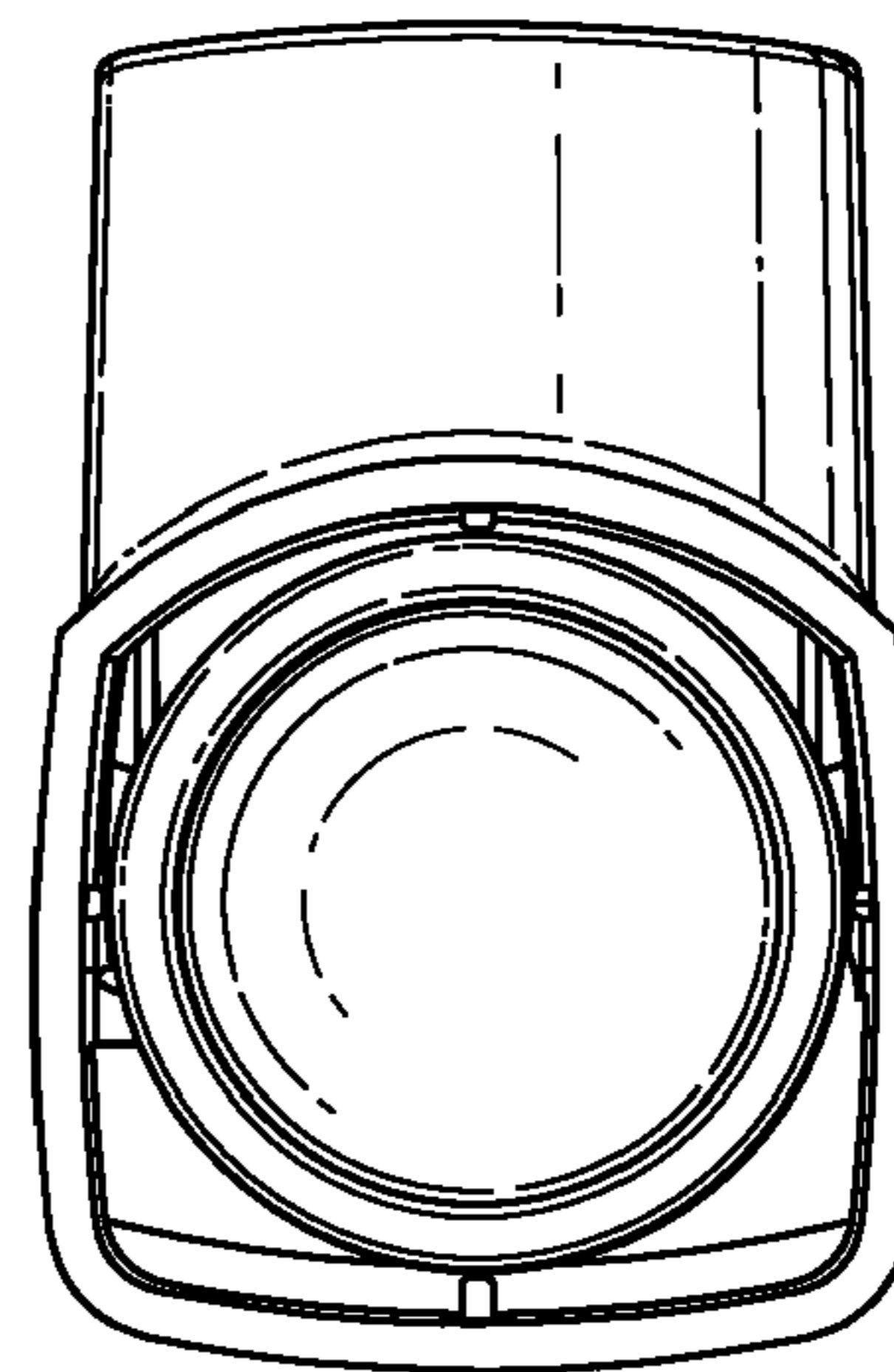


Fig.7.