



US00D629507S

(12) **United States Design Patent**  
**Zuyderhoudt**

(10) **Patent No.:** **US D629,507 S**  
(45) **Date of Patent:** **\*\* Dec. 21, 2010**

(54) **INHALER**

(75) Inventor: **Krijn Franciscus Marie Zuyderhoudt**,  
Leiden (NL)

(73) Assignee: **Teva Pharmaceuticals Ireland**,  
Waterford (IE)

(\*\*) Term: **14 Years**

(21) Appl. No.: **29/357,170**

(22) Filed: **Mar. 8, 2010**

(30) **Foreign Application Priority Data**

Sep. 10, 2009 (EM) ..... 001164008-0001

(51) **LOC (9) Cl.** ..... **24-01**

(52) **U.S. Cl.** ..... **D24/110.5**

(58) **Field of Classification Search** ..... D24/108-110.5;  
128/200.14-200.23, 203.12-203.24  
See application file for complete search history.

(56) **References Cited**

U.S. PATENT DOCUMENTS

D311,443 S \* 10/1990 Long et al. .... D24/110  
5,855,307 A \* 1/1999 Biddick et al. .... 224/267  
D433,502 S \* 11/2000 Rand ..... D24/110  
6,164,275 A \* 12/2000 Van Iderstine ..... 128/200.14  
D461,239 S \* 8/2002 Cassidy ..... D24/110  
D475,133 S \* 5/2003 McLuckie ..... D24/110

6,752,145 B1 \* 6/2004 Bonney et al. .... 128/200.23  
6,805,116 B2 \* 10/2004 Hodson et al. .... 128/200.23  
D529,605 S \* 10/2006 Huxham et al. .... D24/110  
D556,896 S \* 12/2007 Logan ..... D24/110  
D571,001 S \* 6/2008 Warby et al. .... D24/110  
D610,249 S \* 2/2010 Robinson ..... D24/110

\* cited by examiner

*Primary Examiner*—Charles A Rademaker

*Assistant Examiner*—Charles D Hanson

(74) *Attorney, Agent, or Firm*—Christensen O'Connor  
Johnson Kindness PLLC

(57) **CLAIM**

The ornamental design for an inhaler, as shown.

**DESCRIPTION**

FIG. 1 is a perspective view of an inhaler showing my new design;

FIG. 2 is a side elevation thereof;

FIG. 3 is an end elevation thereof;

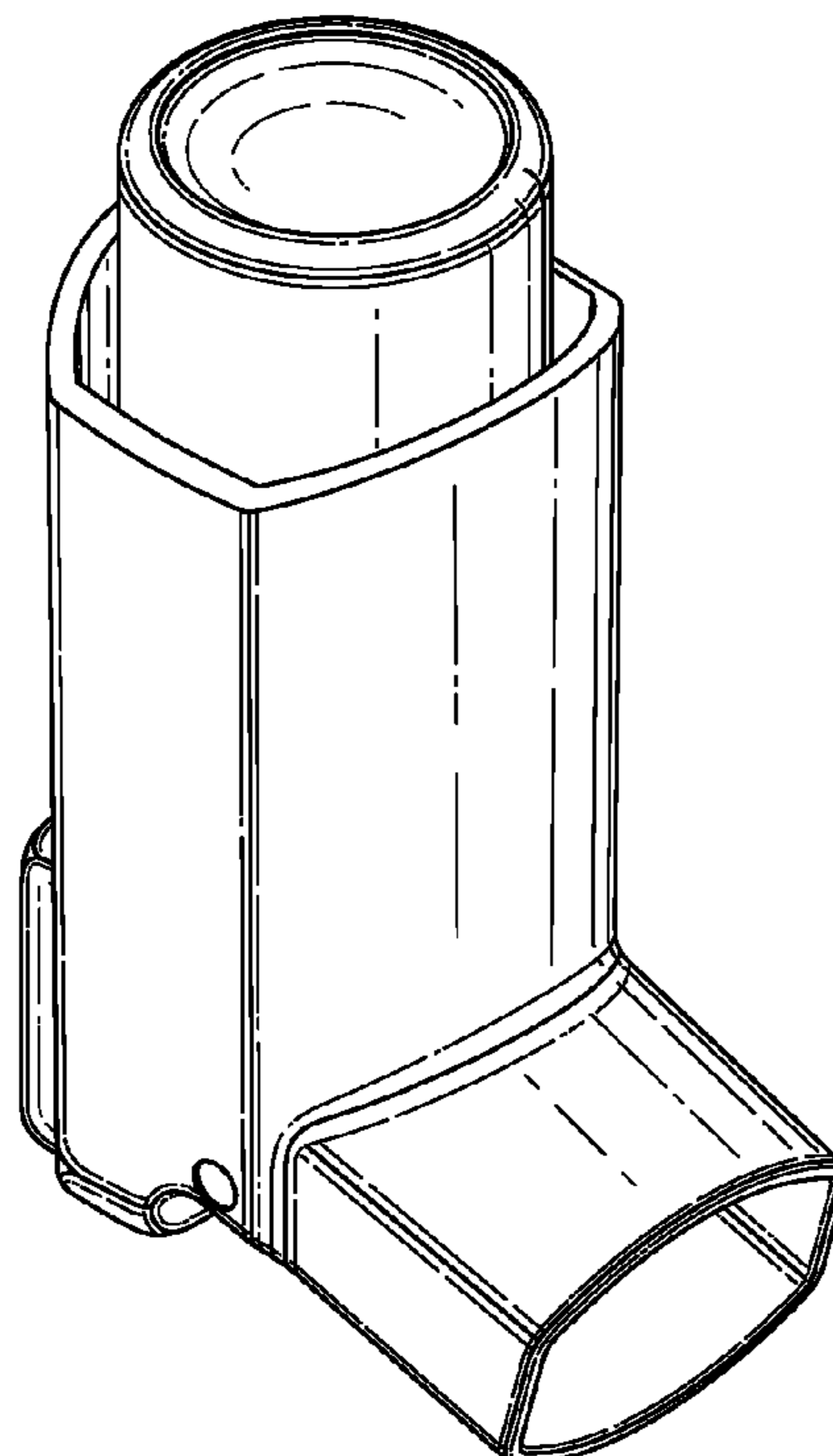
FIG. 4 is a side elevation of the side opposite that shown in FIG. 2;

FIG. 5 is an end elevation of the end opposite that shown in FIG. 3;

FIG. 6 is a bottom plan view thereof; and,

FIG. 7 is a top plan view thereof.

**1 Claim, 2 Drawing Sheets**



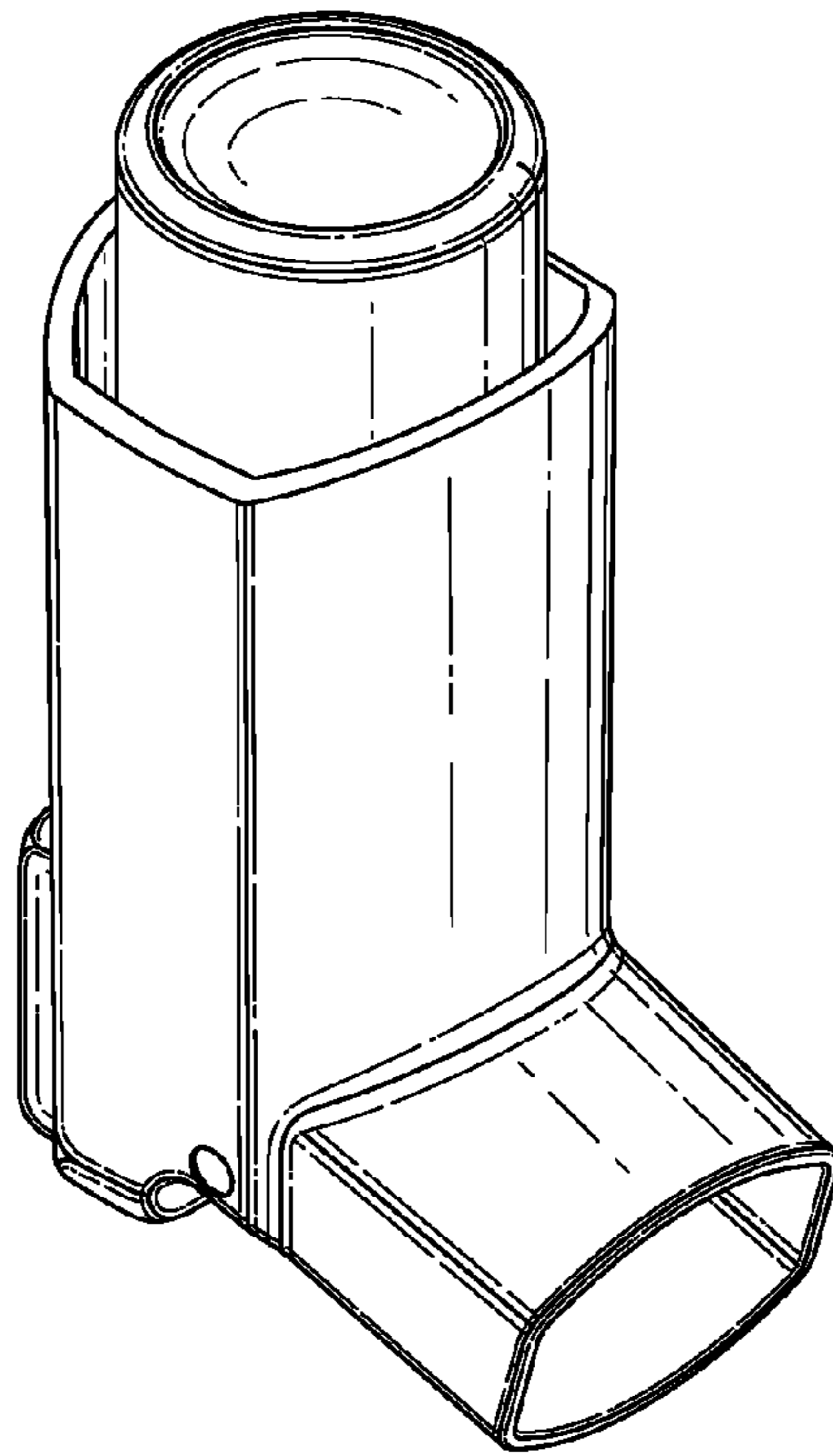


Fig. 1.

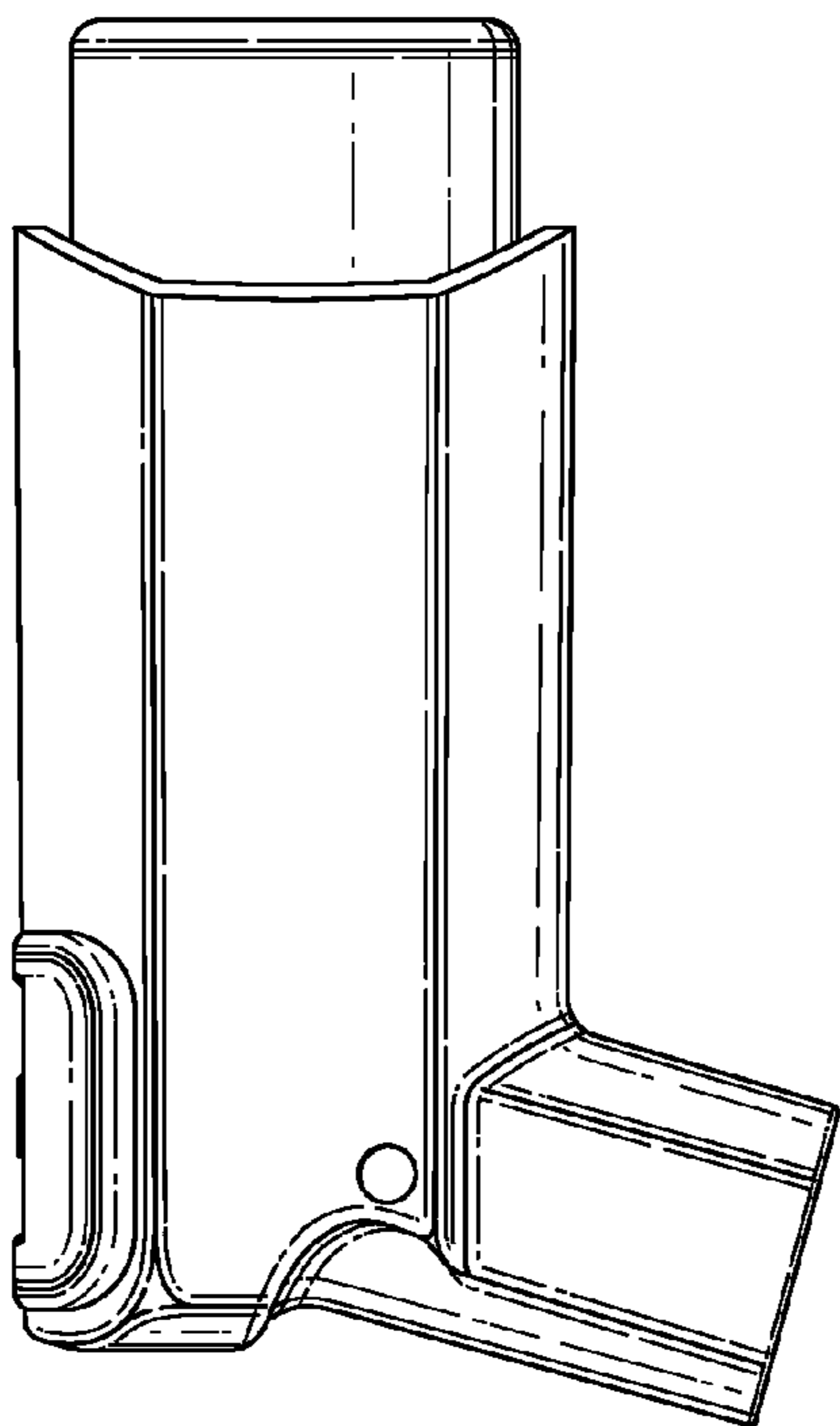


Fig. 2.

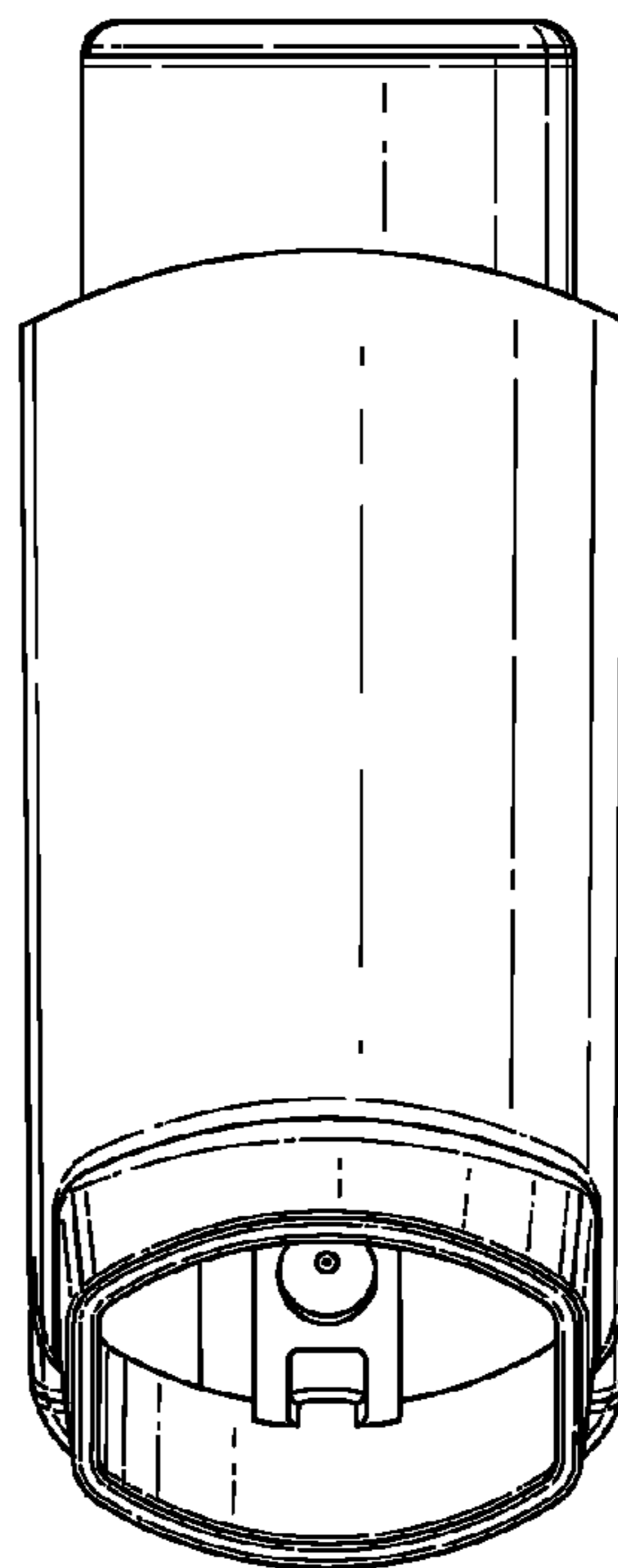


Fig. 3.

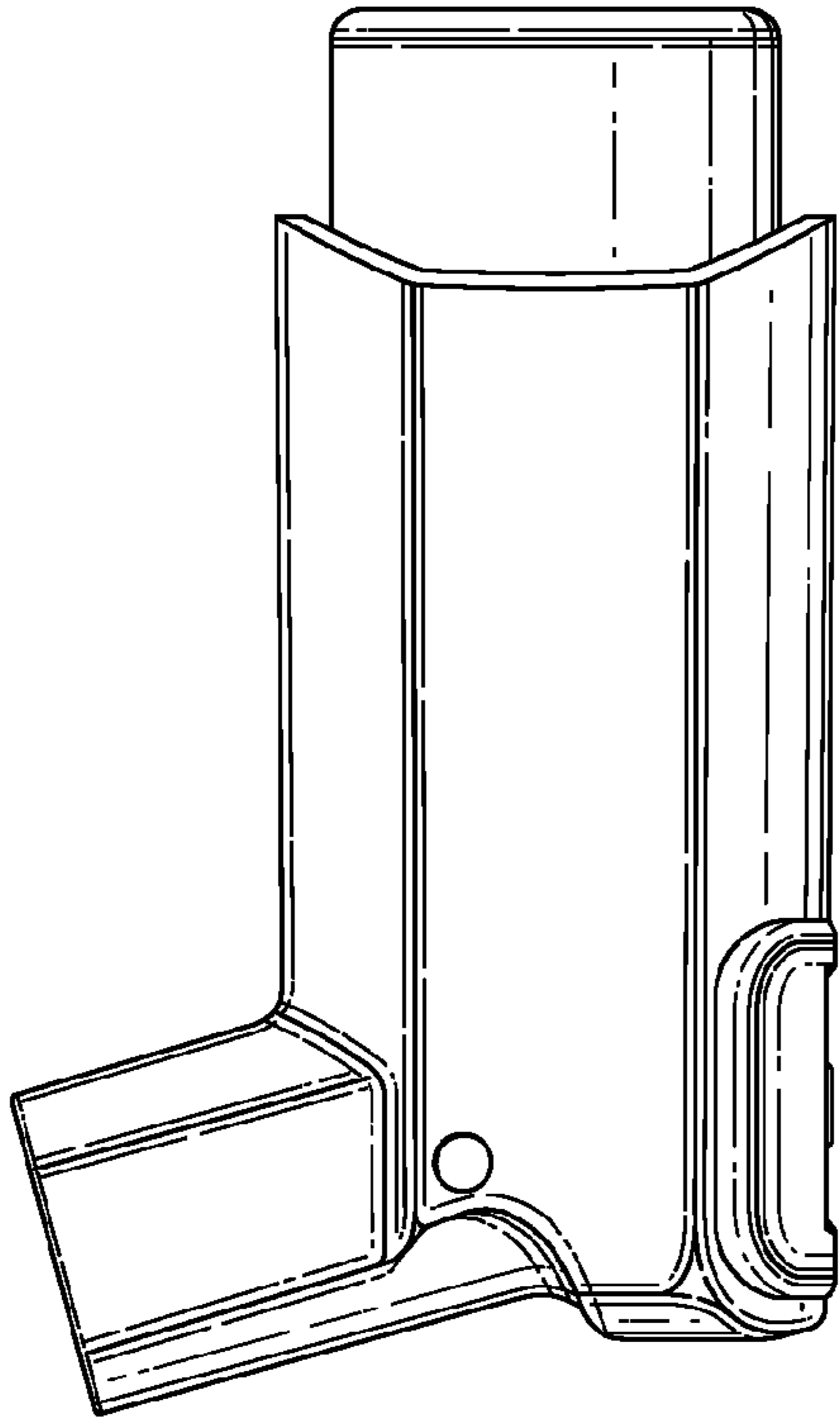


Fig.4.

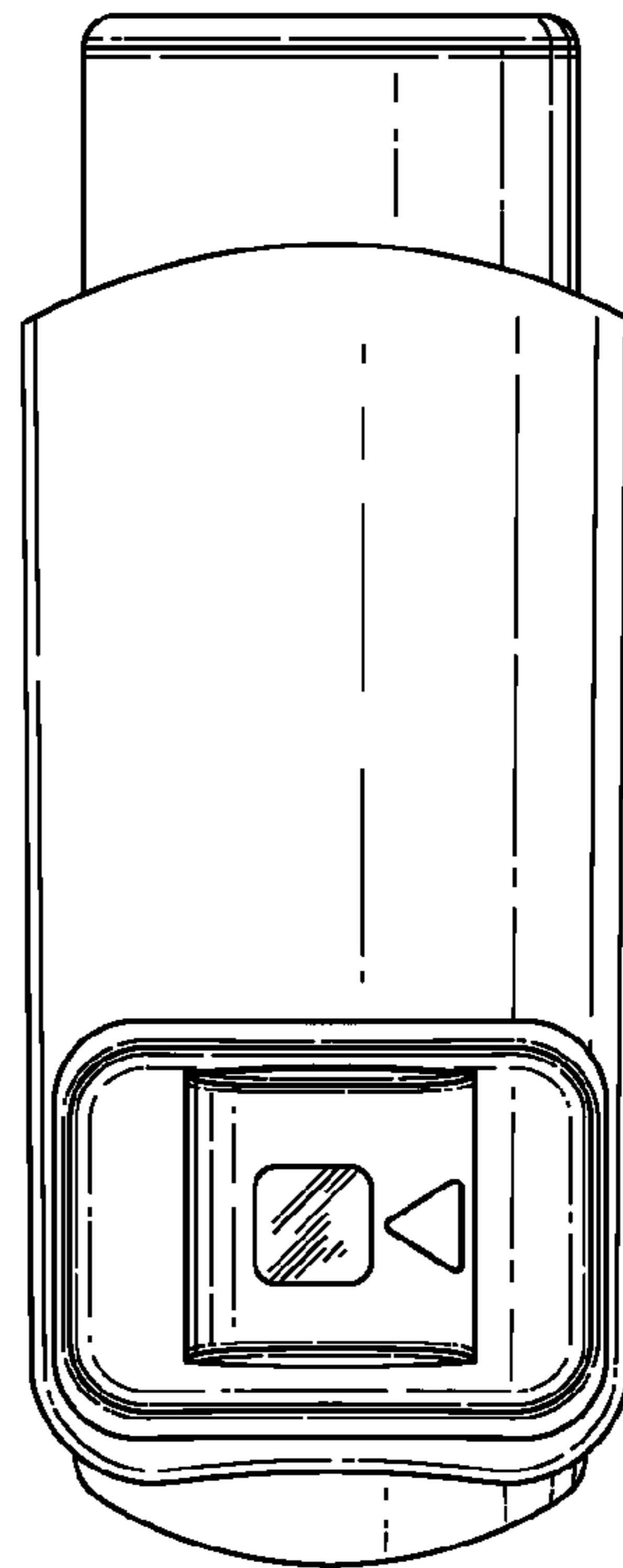


Fig.5.

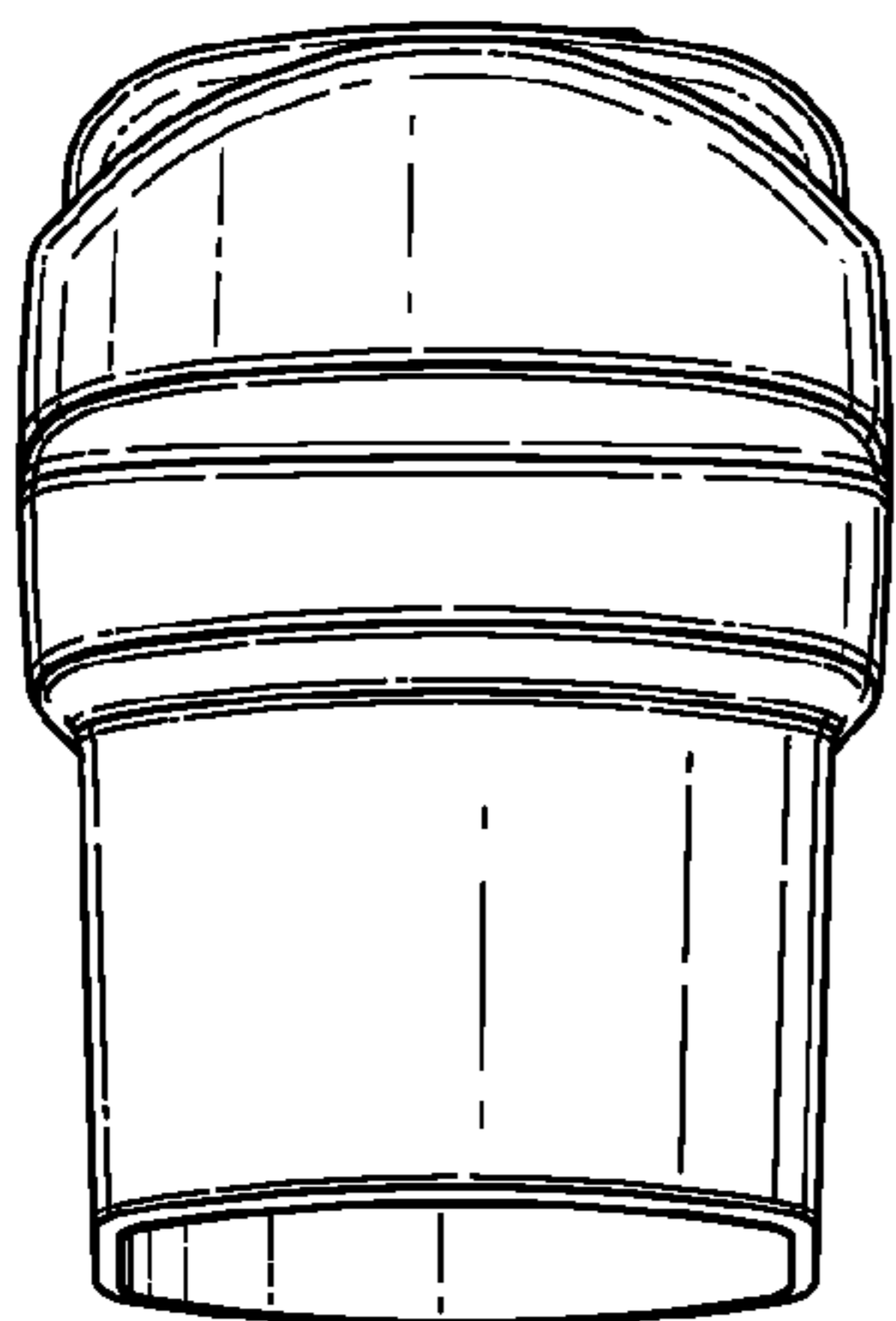


Fig.6.

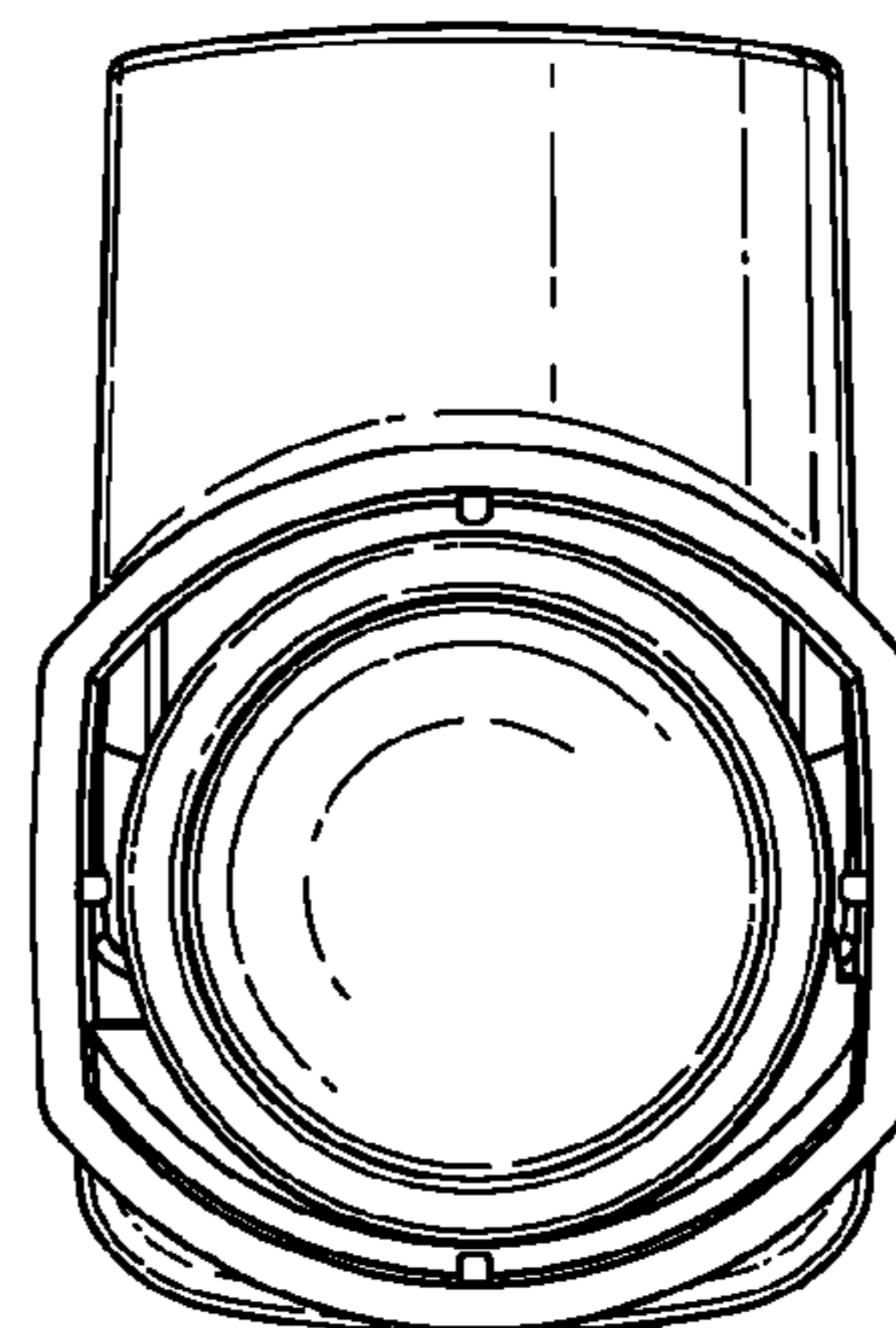


Fig.7.