



US00D629506S

(12) **United States Design Patent**
Adamo et al.

(10) **Patent No.:** **US D629,506 S**

(45) **Date of Patent:** **** Dec. 21, 2010**

(54) **DRY POWDER INHALER**

D614,760 S * 4/2010 Smutney et al. D24/110
7,708,014 B2 * 5/2010 Yamashita et al. 128/203.15

(75) Inventors: **Benoit Adamo**, Mount Kisco, NY (US);
Chad C. Smutney, Watertown, CT (US);
P. Spencer Kinsey, Sandy Hook, CT
(US); **Daniel McMichael Stipe**, Raleigh,
NC (US); **David Schoch Chapin**,
Raleigh, NC (US)

* cited by examiner

Primary Examiner—Charles A Rademaker
Assistant Examiner—Charles D Hanson
(74) *Attorney, Agent, or Firm*—K & L Gates LLP; Louis C.
Cullman; Brian J. Novak

(73) Assignee: **MannKind Corporation**, Valencia, CA
(US)

(57) **CLAIM**

(**) Term: **14 Years**

The ornamental design for a dry powder inhaler, as shown and
described.

(21) Appl. No.: **29/328,733**

DESCRIPTION

(22) Filed: **Dec. 1, 2008**

FIG. 1 is a top isometric view of our new dry powder inhaler
design in a closed configuration.

(51) **LOC (9) Cl.** **24-01**

(52) **U.S. Cl.** **D24/110.5**

(58) **Field of Classification Search** D24/108–110.5;
128/200.14–200.23, 203.12–203.24

FIG. 2 is a side view of the dry powder inhaler of FIG. 1

FIG. 3 is frontal view of the dry powder inhaler in FIG. 1.

FIG. 4 is rear view of the dry powder inhaler in FIG. 1.

FIG. 5 is a top view of the dry powder inhaler of FIG. 1.

See application file for complete search history.

FIG. 6 is an isometric view of the dry powder inhaler in FIG.
1 in an open configuration.

FIG. 7 is a side view of the dry powder inhaler of FIG. 6.

FIG. 8 is a frontal view of the dry powder inhaler of FIG. 6.

FIG. 9 is a rear view of the dry powder inhaler of FIG. 6.

FIG. 10 is a top view of the dry powder inhaler of FIG. 6.

FIG. 11 is bottom view of the dry powder inhaler shown in
FIG. 1; and,

FIG. 12 is bottom view of the dry powder inhaler shown in
FIG. 6.

(56) **References Cited**

U.S. PATENT DOCUMENTS

5,201,308	A *	4/1993	Newhouse	128/203.15
5,857,457	A *	1/1999	Hyppola	128/203.15
6,182,655	B1 *	2/2001	Keller et al.	128/203.15
6,575,162	B1 *	6/2003	Rand	128/203.15
6,748,946	B1 *	6/2004	Rand et al.	128/203.15
D499,802	S *	12/2004	Pinon et al.	D24/110
7,131,441	B1 *	11/2006	Keller et al.	128/203.15
7,387,122	B2 *	6/2008	Nishibayashi et al.	..	128/203.15
D583,463	S *	12/2008	Wood et al.	D24/110
7,461,653	B2 *	12/2008	Oliva	128/203.21
D604,833	S *	11/2009	Polidoro	D24/110
D605,752	S *	12/2009	Polidoro	D24/110

1 Claim, 6 Drawing Sheets

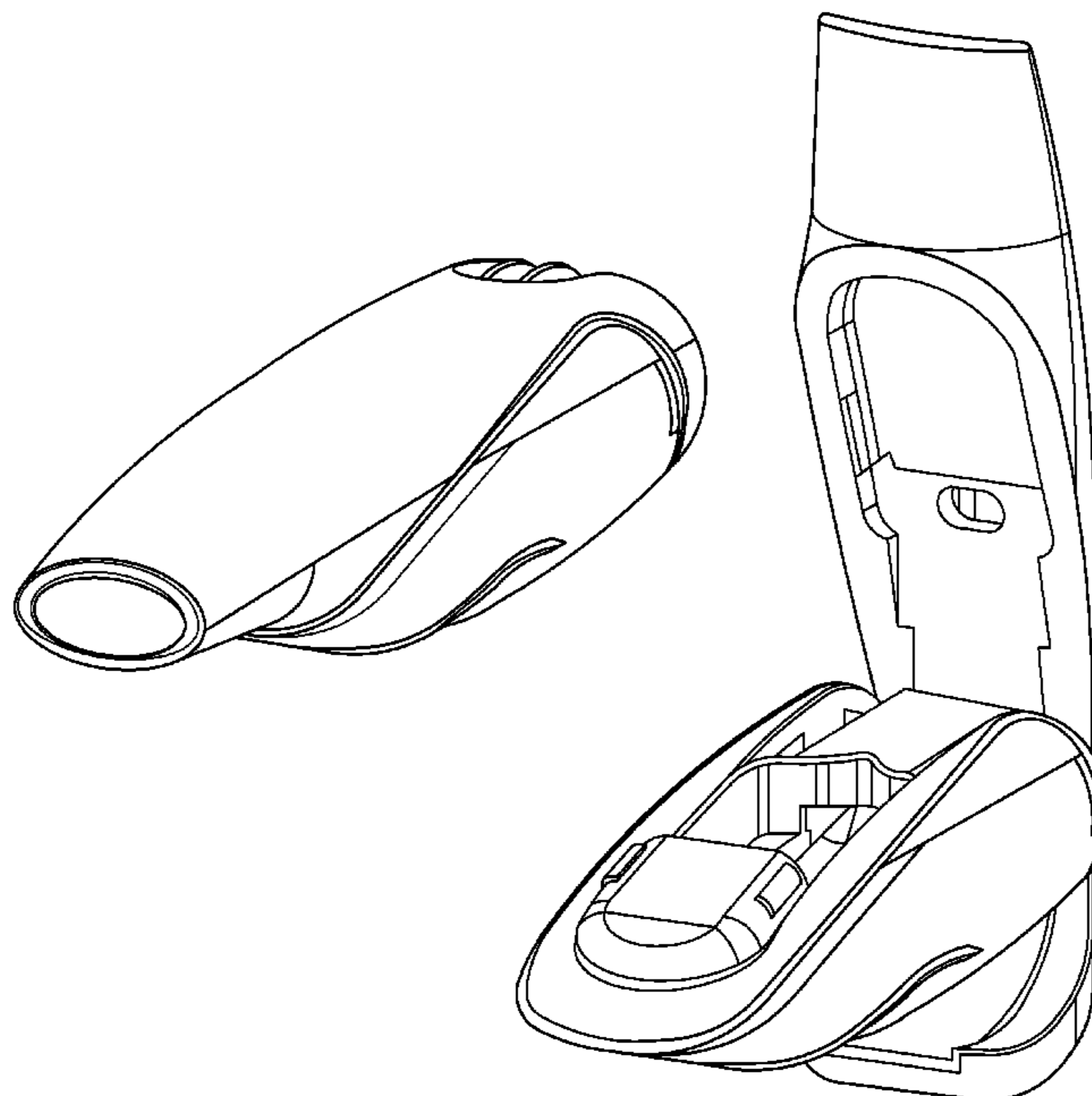


FIG. 1

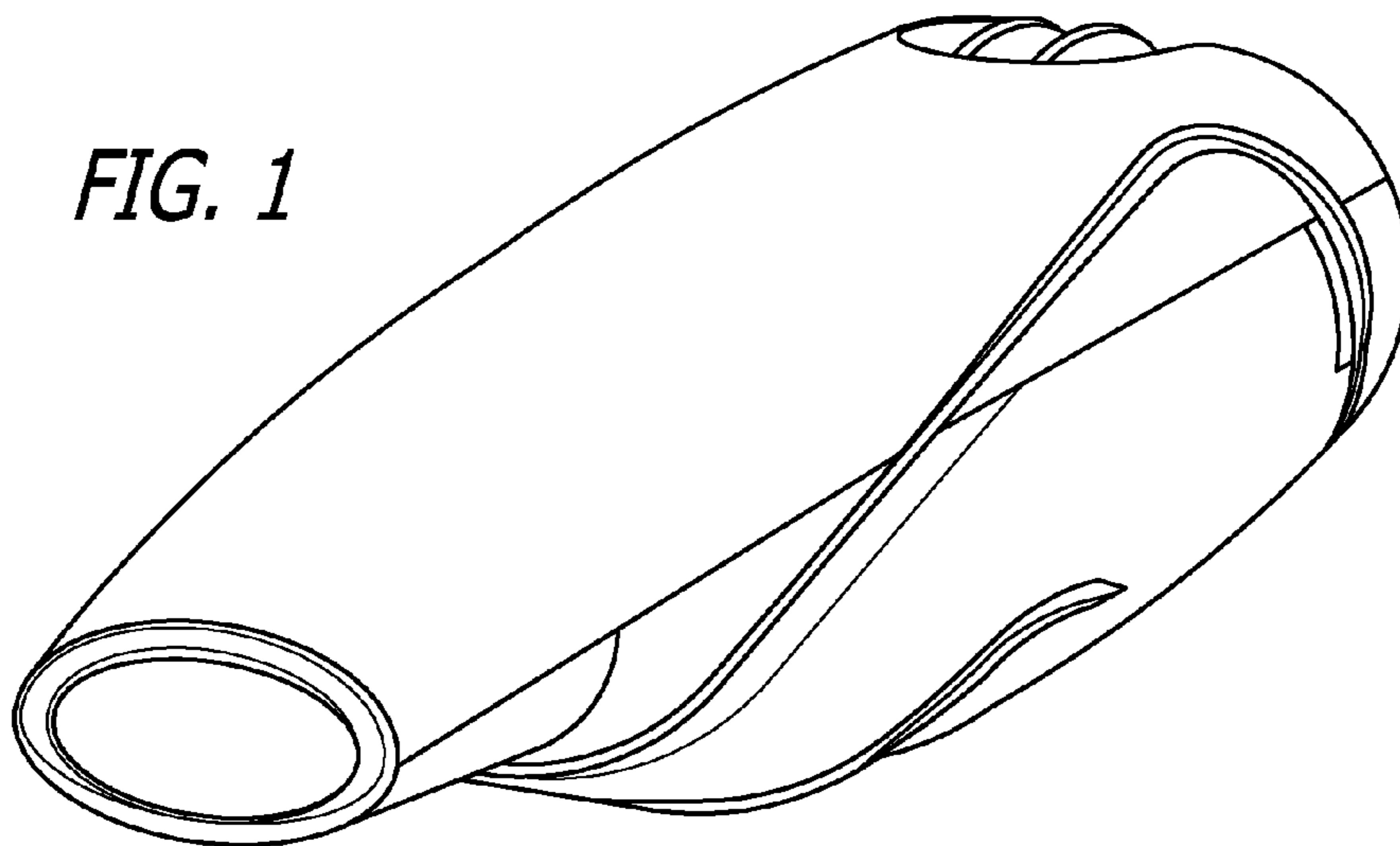


FIG. 2

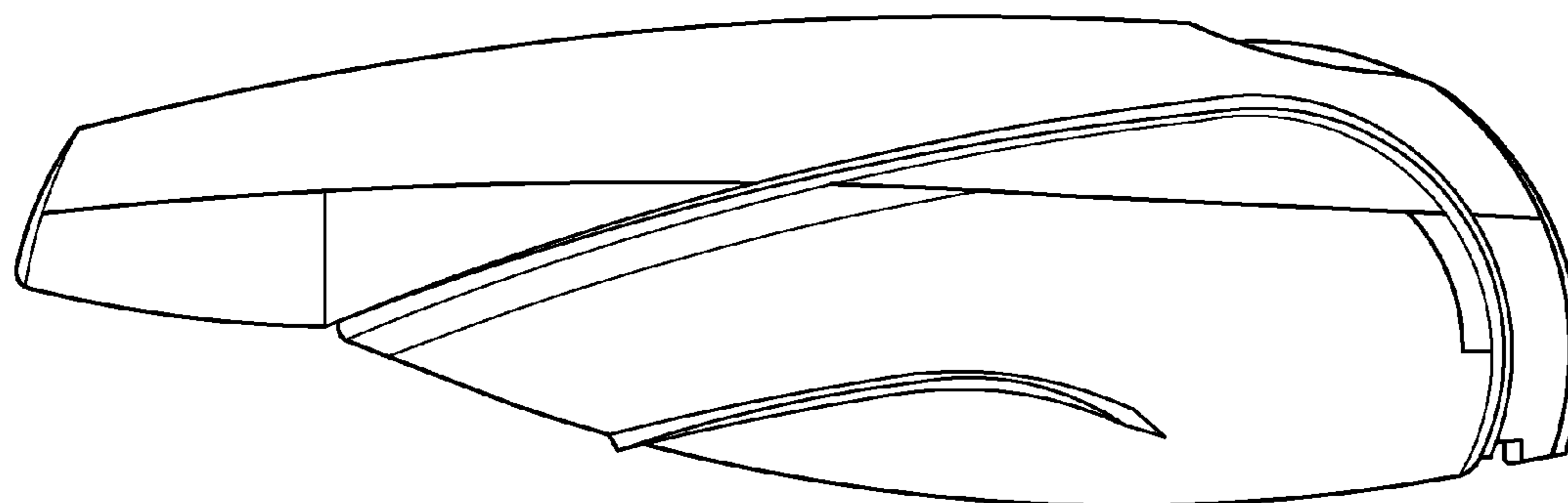


FIG. 3

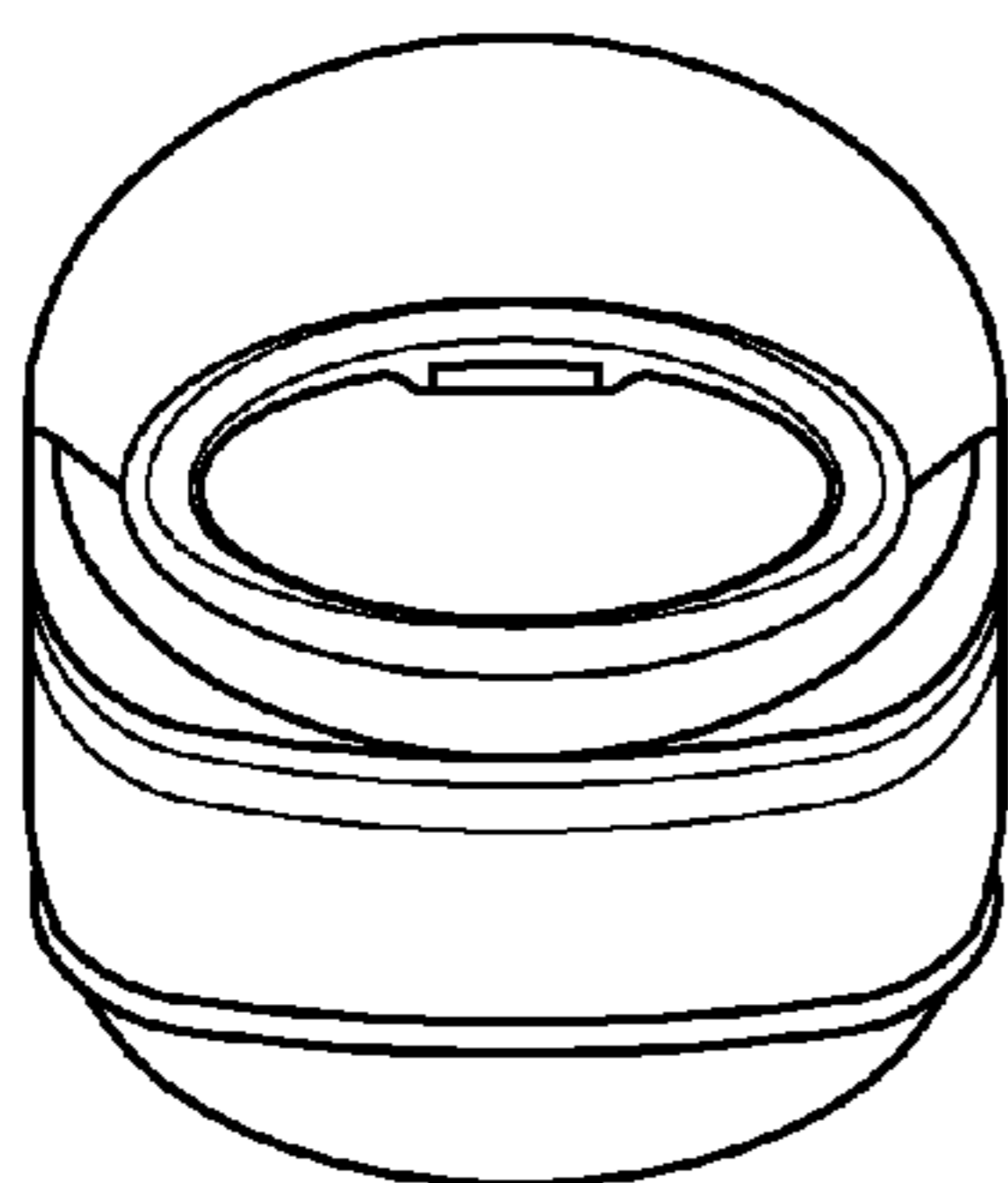


FIG. 4

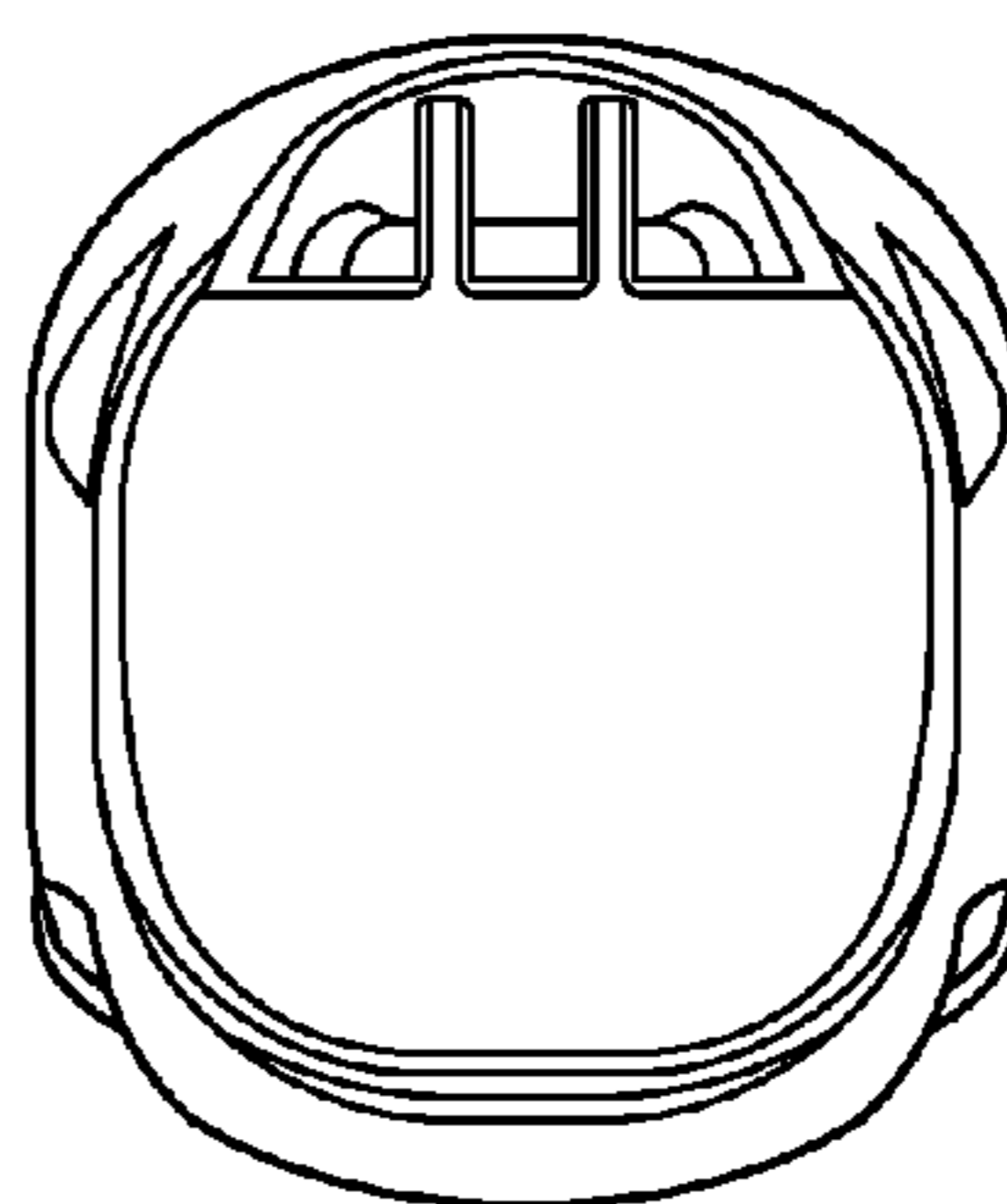


FIG. 5

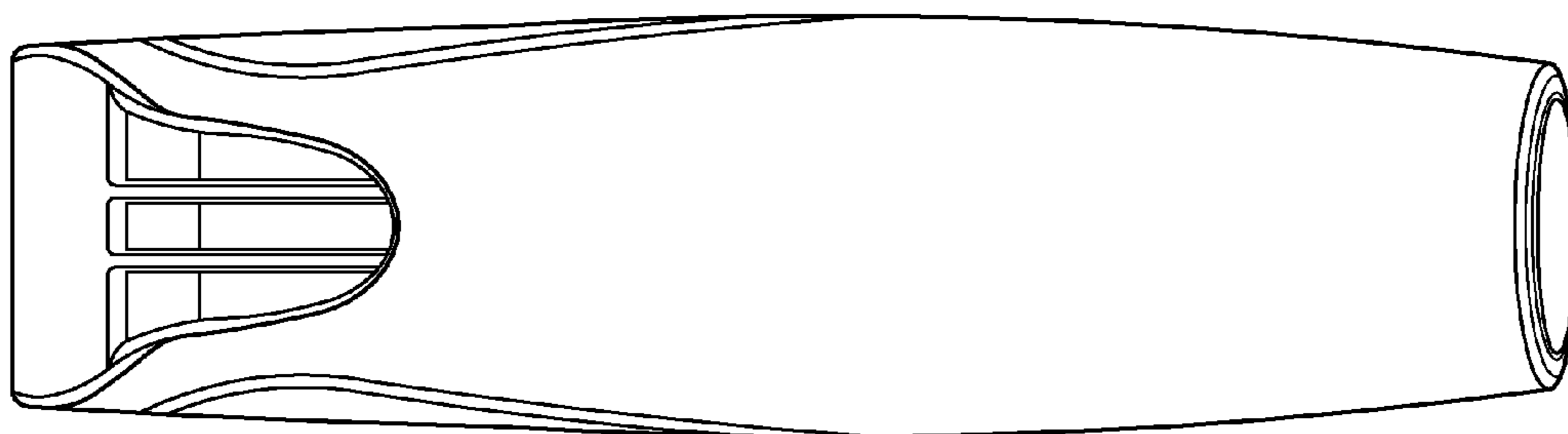


FIG. 11

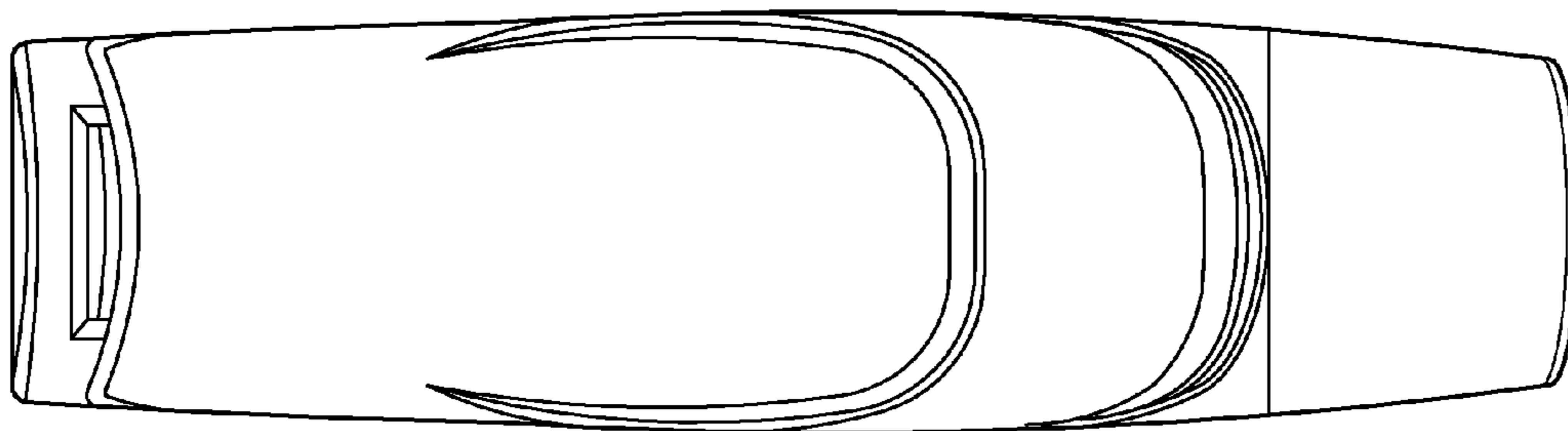


FIG. 6

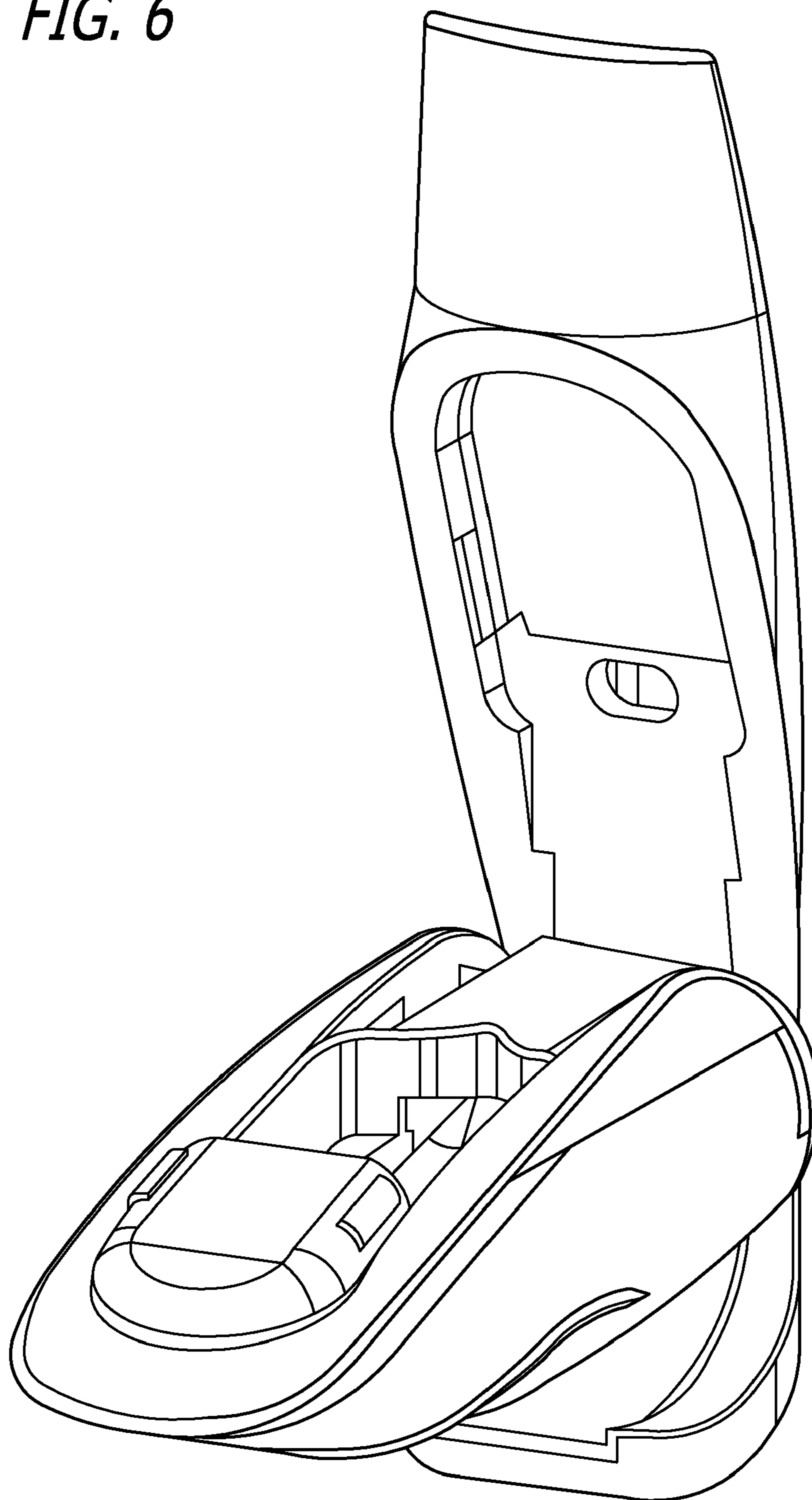


FIG. 7

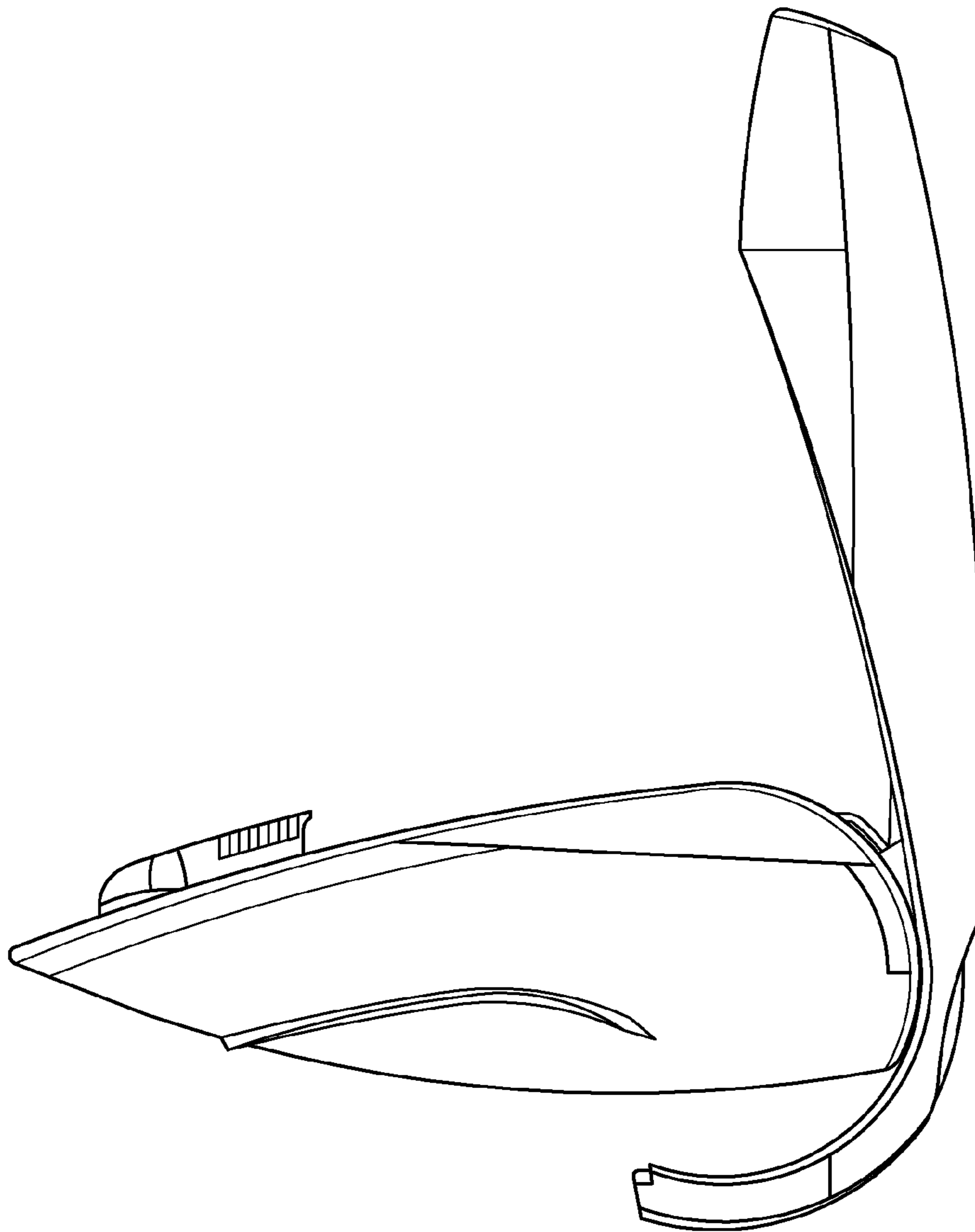


FIG. 8

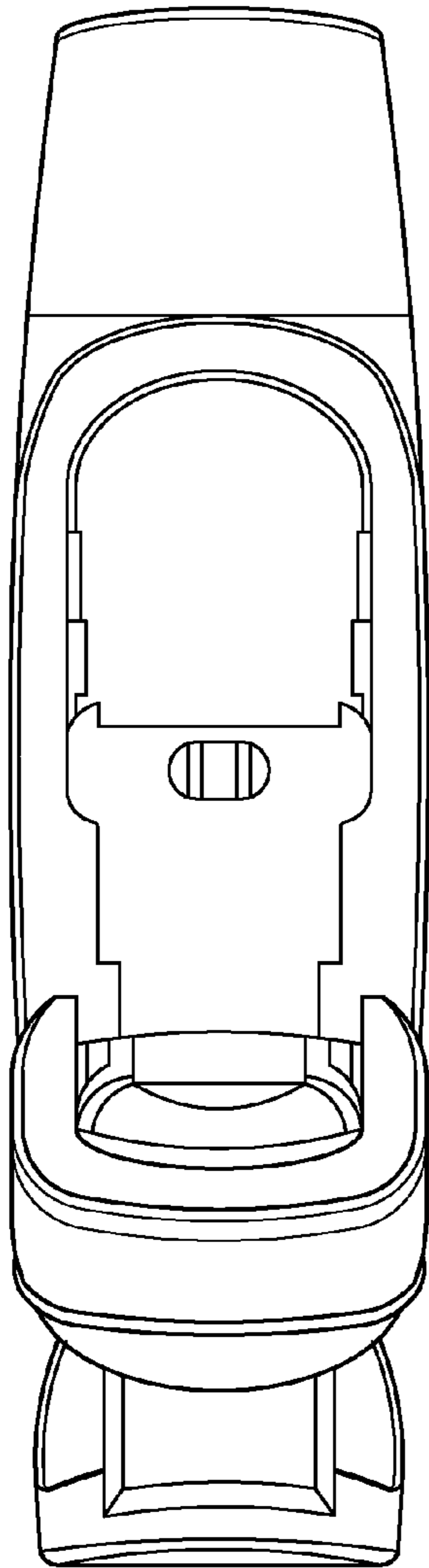


FIG. 9

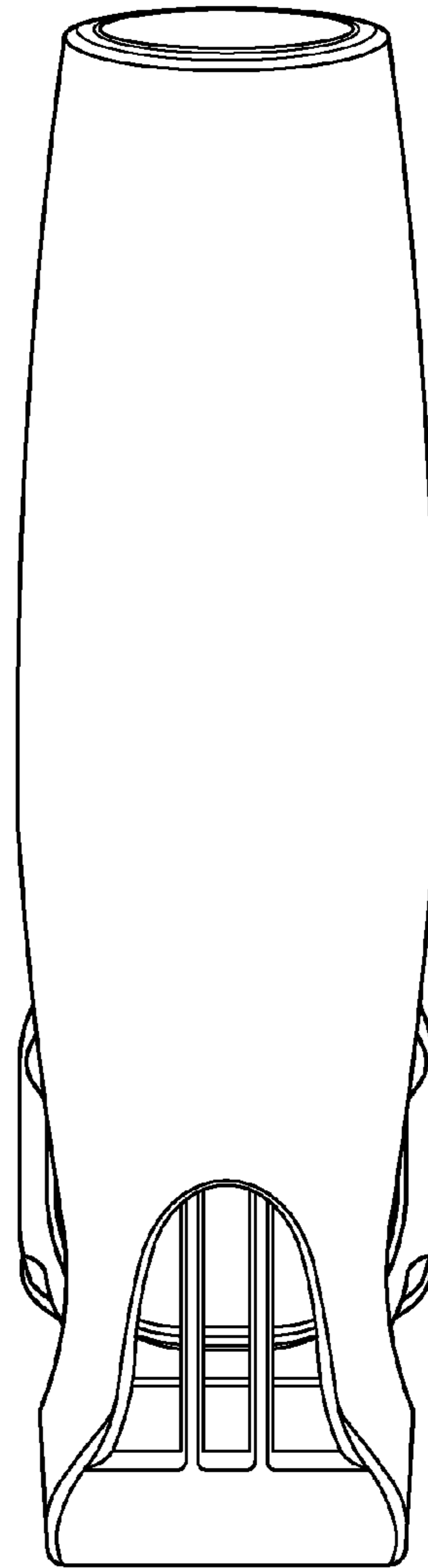


FIG. 10

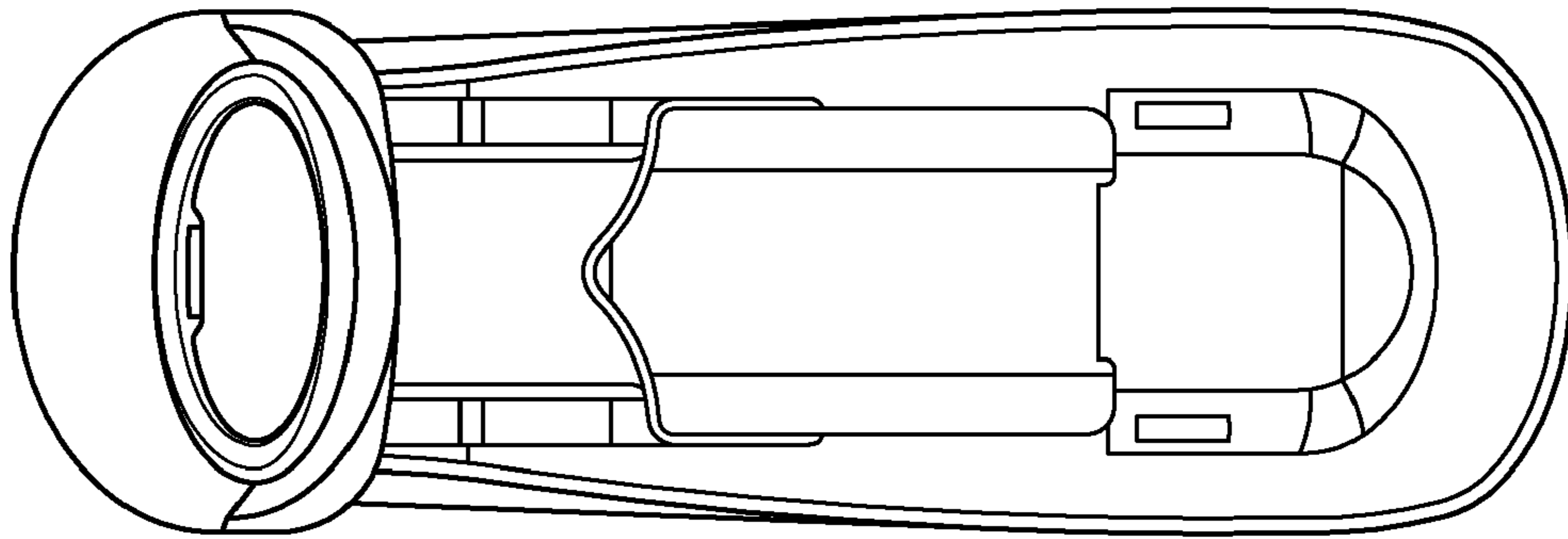


FIG. 12

