



US00D629502S

(12) **United States Design Patent**
Au et al.

(10) **Patent No.:** **US D629,502 S**
(45) **Date of Patent:** **** Dec. 21, 2010**

(54) **REDUCED PRESSURE THERAPY DEVICE**

(75) Inventors: **Nelson S. Au**, Foster City, CA (US);
Jeffrey W. Etter, Hayward, CA (US);
Craig A. Carson, Fremont, CA (US);
Dean Hu, San Leandro, CA (US)

(73) Assignee: **Spiracur Inc.**, Redwood City, CA (US)

(**) Term: **14 Years**

(21) Appl. No.: **29/332,485**

(22) Filed: **Feb. 17, 2009**

(51) **LOC (9) Cl.** **24-01**

(52) **U.S. Cl.** **D24/108**

(58) **Field of Classification Search** D24/107-108,
D24/111, 186, 169, 121; 604/151-155, 131,
604/304, 289, 290

See application file for complete search history.

(56) **References Cited**

U.S. PATENT DOCUMENTS

2,198,666 A	4/1940	Gruskin
2,472,116 A	6/1949	Maynes
2,660,342 A	11/1953	Ruf
2,863,452 A	12/1958	Ogle, Sr.
3,583,399 A	6/1971	Ritsky
3,680,560 A	8/1972	Pannier, Jr. et al.
3,779,243 A	12/1973	Tussey et al.
3,809,086 A	5/1974	Schachet et al.
3,809,087 A	5/1974	Lewis, Jr.
3,833,030 A	9/1974	Waldbauer, Jr. et al.
3,841,331 A	10/1974	Wilder et al.
3,908,664 A	9/1975	Loseff
3,993,080 A	11/1976	Loseff
4,246,899 A	1/1981	Loseff
4,278,089 A	7/1981	Huck et al.
4,333,456 A	6/1982	Webb
4,333,458 A	6/1982	Margulies et al.
4,373,528 A	2/1983	Harle
4,392,858 A	7/1983	George et al.
4,392,860 A	7/1983	Huck et al.
4,404,924 A	9/1983	Goldberg et al.

4,460,354 A	7/1984	Weilbacher et al.
4,525,167 A	6/1985	Goldberg et al.
4,549,554 A	10/1985	Markham
4,578,060 A	3/1986	Huck et al.
4,648,870 A	3/1987	Goldberg et al.
4,664,128 A	5/1987	Lee
4,758,232 A	7/1988	Chak
5,071,409 A	12/1991	Rosenberg
5,395,345 A	3/1995	Gross
5,549,584 A	8/1996	Gross
D428,493 S *	7/2000	Radwanski et al. D24/186
6,261,276 B1	7/2001	Reitsma

(Continued)

OTHER PUBLICATIONS

Unomedical (Jan. 2006). "Wound Drainage," 16 pages.

Primary Examiner—Elizabeth A Albert

Assistant Examiner—Kelley A Donnelly

(74) *Attorney, Agent, or Firm*—Morrison & Foerster LLP

(57) **CLAIM**

The ornamental design for the reduced pressure therapy device, as shown and described.

DESCRIPTION

FIG. 1 is a rear perspective view of a reduced pressure therapy device showing my new design;

FIG. 2 is a front elevation thereof;

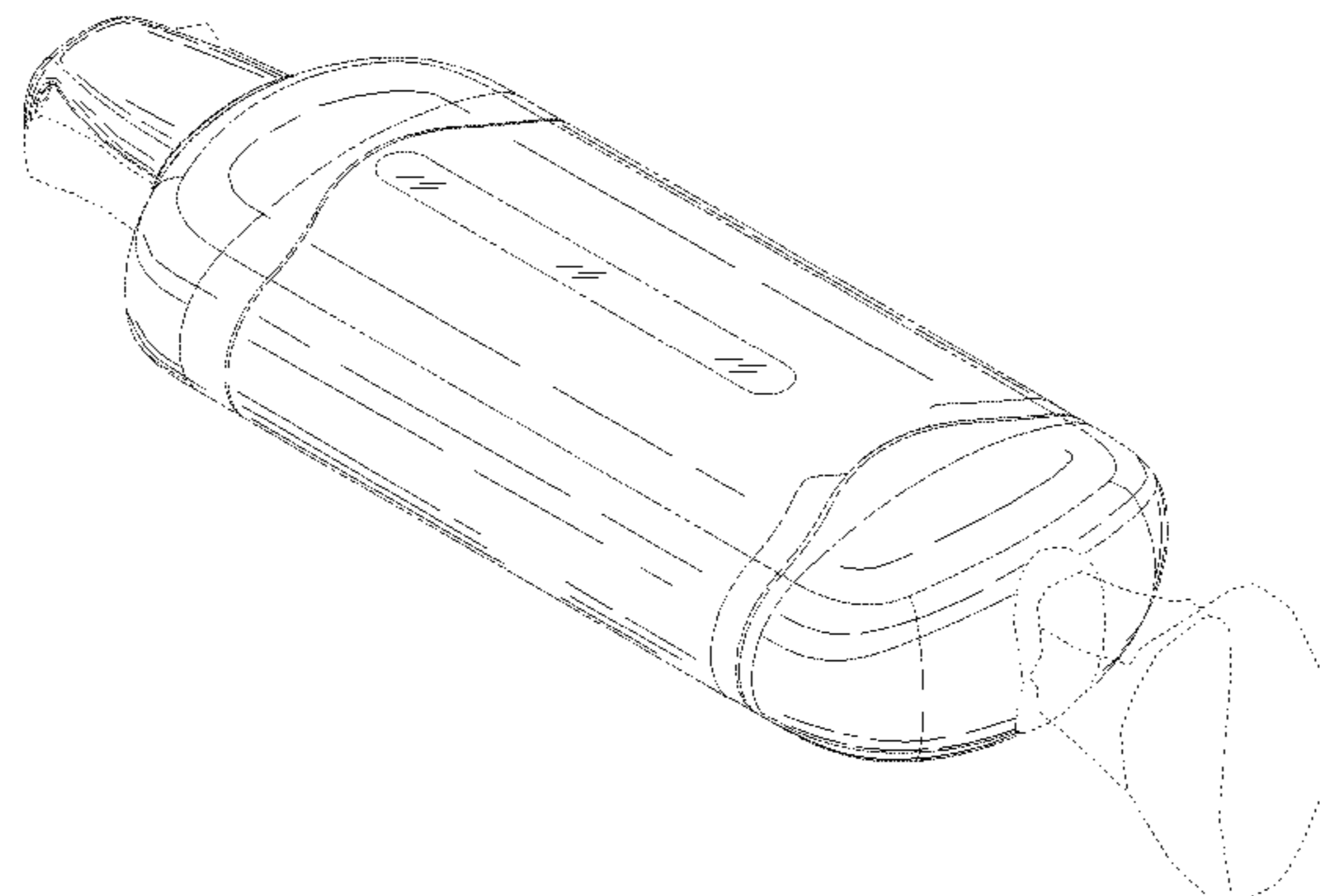
FIG. 3 is a rear elevation thereof;

FIG. 4 is a right side elevation thereof, the side opposite being a mirror image; and,

FIG. 5 is a top plan view thereof, the side opposite being a mirror image.

The broken lines which define the bounds of the claimed design form no part thereof.

1 Claim, 5 Drawing Sheets



US D629,502 S

Page 2

U.S. PATENT DOCUMENTS

6,986,234 B2	1/2006	Liedtke					
D544,092 S *	6/2007	Lewis	D24/108				
D545,965 S *	7/2007	Shigemori et al.	D24/138				
D547,859 S *	7/2007	Choi	D24/113				
D581,042 S *	11/2008	Randolph et al.	D24/111				
				D590,509 S *	4/2009	Costa	D24/186
				D590,934 S *	4/2009	Randolph et al.	D24/107
				2008/0108977 A1	5/2008	Heaton et al.	
				2008/0200905 A1	8/2008	Heaton et al.	
				2008/0306448 A1	12/2008	Lee	

* cited by examiner

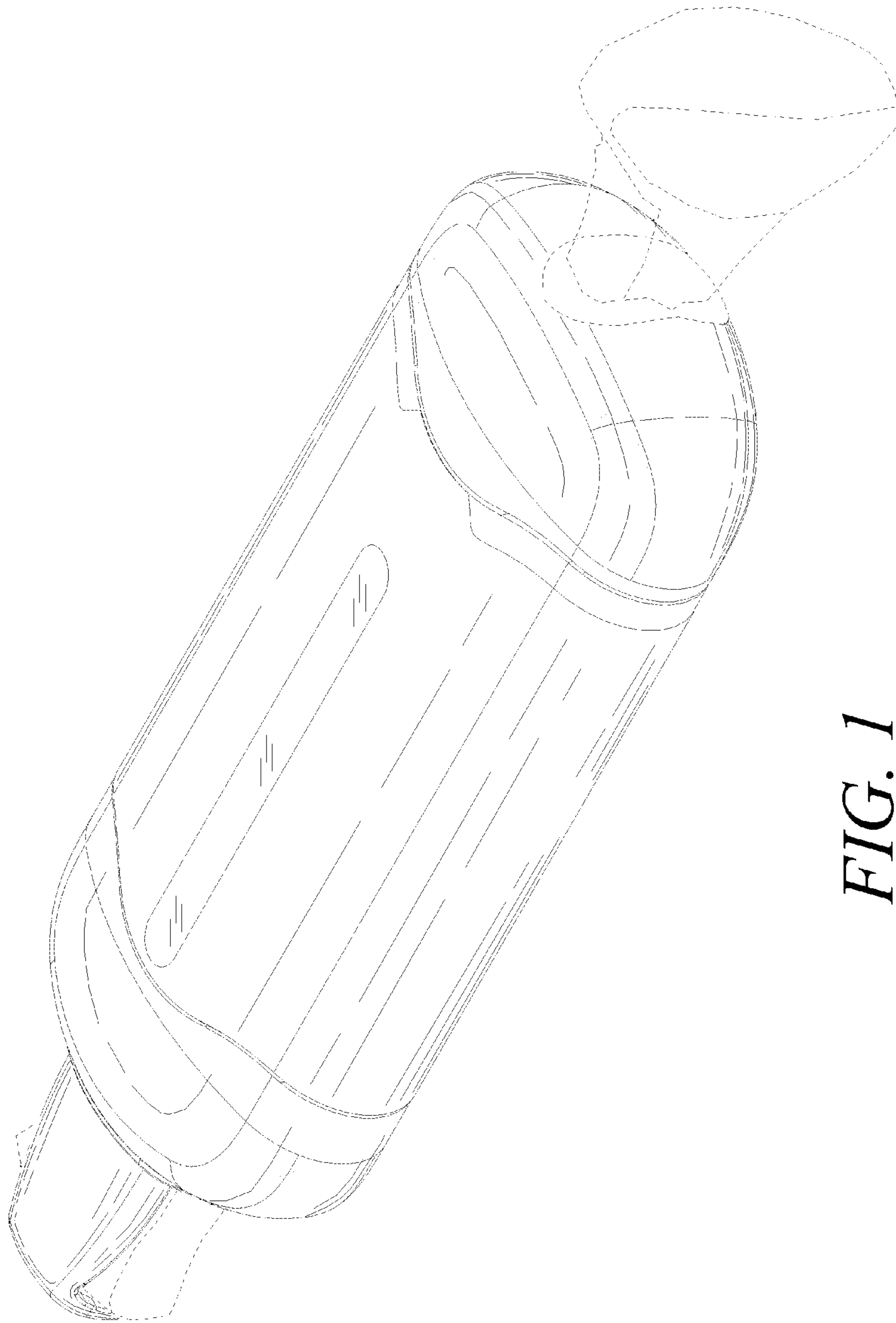


FIG. 1

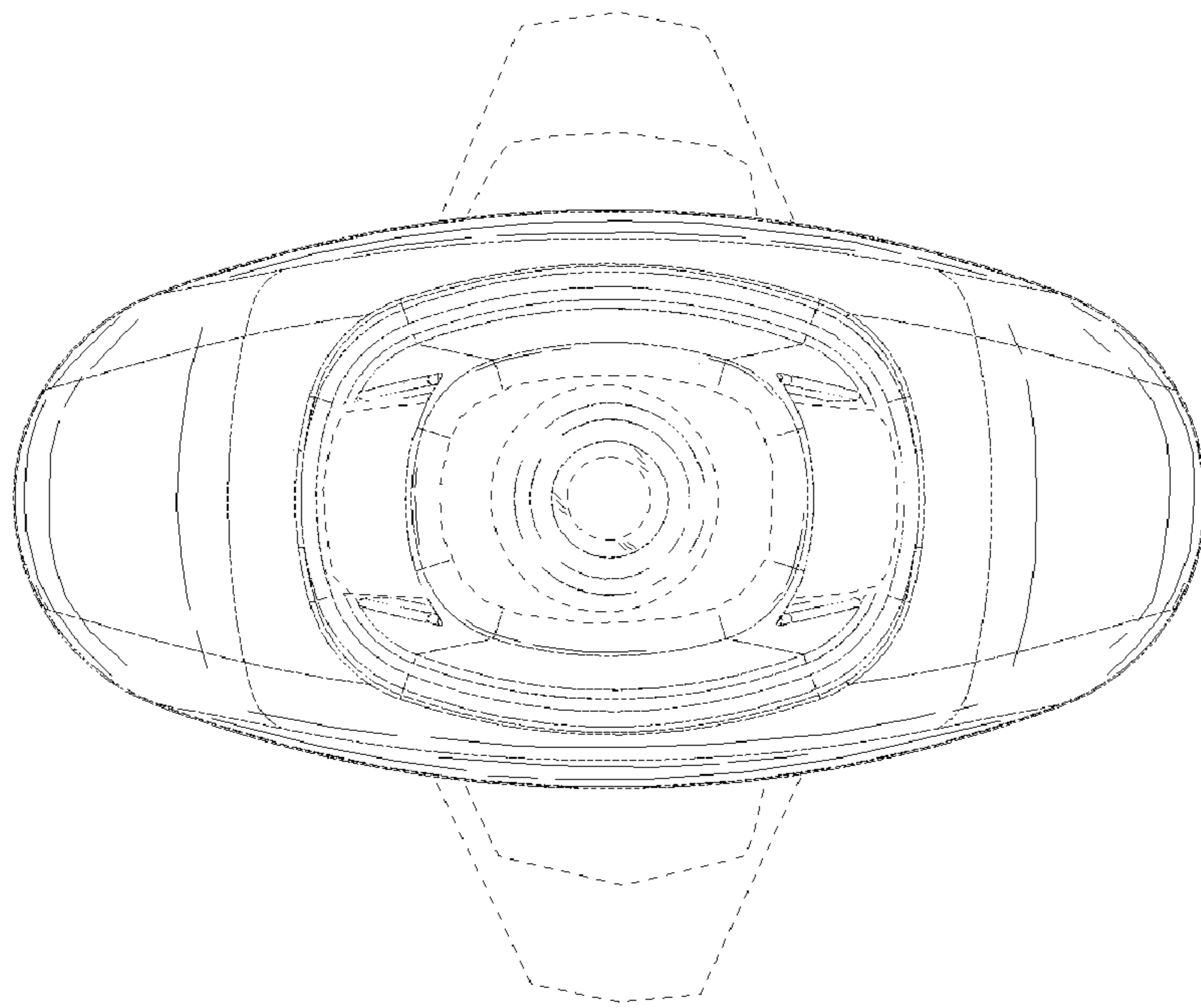


FIG. 2

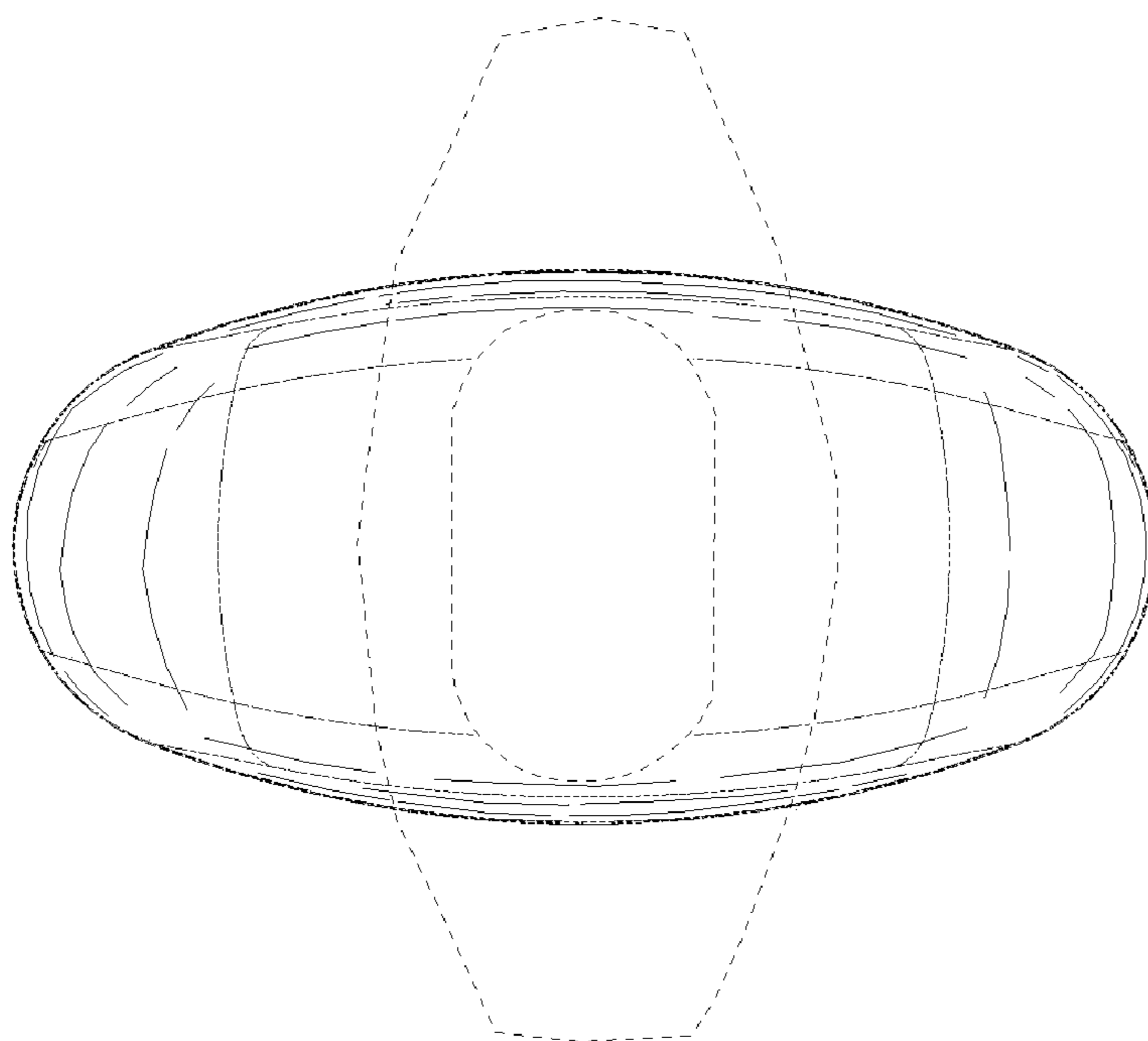


FIG. 3

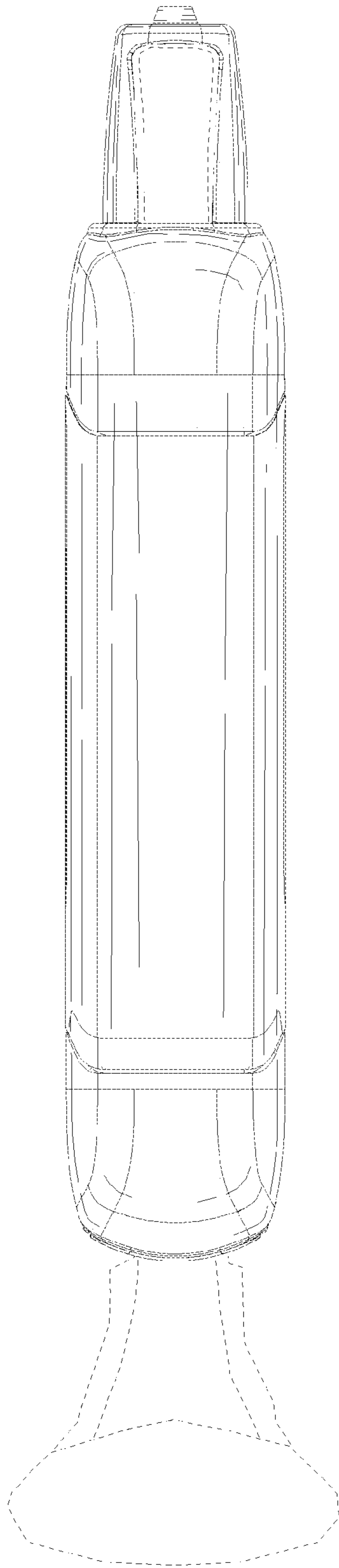


FIG. 4

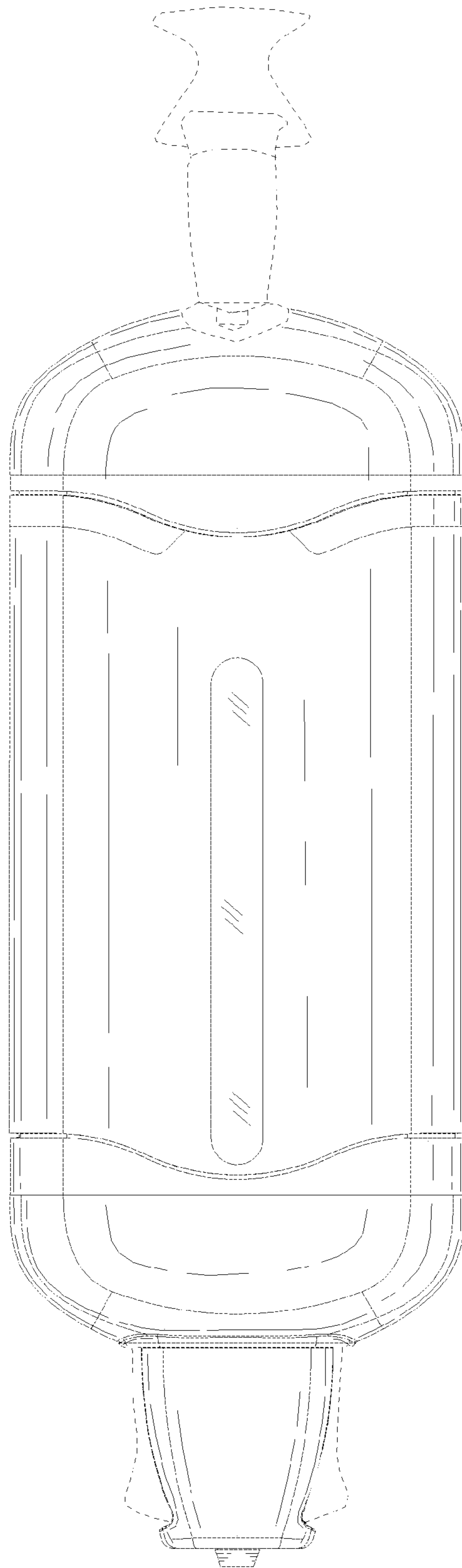


FIG. 5