



US00D629498S

(12) **United States Design Patent**
Foerster

(10) **Patent No.:** **US D629,498 S**

(45) **Date of Patent:** **** Dec. 21, 2010**

(54) **DEODORIZING ASSEMBLY**

(75) Inventor: **Lee Foerster**, Medford, OR (US)

(73) Assignee: **TF Industries, LLC**, Medford, OR (US)

(**) Term: **14 Years**

(21) Appl. No.: **29/341,512**

(22) Filed: **Aug. 6, 2009**

(51) **LOC (9) Cl.** **28-99**

(52) **U.S. Cl.** **D23/366**

(58) **Field of Classification Search** D23/355-369;
261/DIG. 17, DIG. 42, DIG. 65, DIG. 88,
261/DIG. 89; 239/34-36, 44-45, 53-54,
239/56-57, 60, 136, 152, 302, 326; 392/386,
392/390, 392, 394, 395; D28/5, 6; D32/29.1
See application file for complete search history.

(56) **References Cited**

U.S. PATENT DOCUMENTS

4,200,940	A	5/1980	Buchanan	
4,693,337	A	9/1987	Timmermeister	
4,701,966	A	10/1987	Schaffer	
D296,468	S *	6/1988	Greubel	D23/364
4,876,748	A	10/1989	Chun	
D313,846	S *	1/1991	Sullivan et al.	D23/366
5,050,798	A *	9/1991	Sullivan	239/58
D336,761	S *	6/1993	Chan	D23/356
5,231,705	A	8/1993	Ragusa	
5,234,162	A *	8/1993	Sullivan	239/56
D346,857	S *	5/1994	Pan	D23/368
D349,338	S	8/1994	Crinion	
5,342,584	A *	8/1994	Fritz et al.	422/124
5,369,812	A	12/1994	Trombley	
5,386,594	A	2/1995	Hilton	
5,491,847	A *	2/1996	Shaffer	4/213
5,522,093	A *	6/1996	Schaffer	4/213
5,547,616	A *	8/1996	Dancs et al.	261/26

(Continued)

OTHER PUBLICATIONS

Hepalta Purified Air Inc., <http://www.hepalta.com/ambifresh>.

(Continued)

Primary Examiner—Sandra Snapp

(74) *Attorney, Agent, or Firm*—Berenato & White, LLC

(57) **CLAIM**

The ornamental design for a deodorizing assembly, as shown and described.

DESCRIPTION

FIG. 1 is an upper perspective view of a deodorizing assembly mounted on a toilet according to an embodiment of the invention.

FIG. 2 is an upper perspective view of the deodorizing assembly of FIG. 1.

FIG. 3 is a front view of the deodorizing assembly of FIG. 1.

FIG. 4 is a back view of the deodorizing assembly of FIG. 1.

FIG. 5 is a right side view of the deodorizing assembly of FIG. 1.

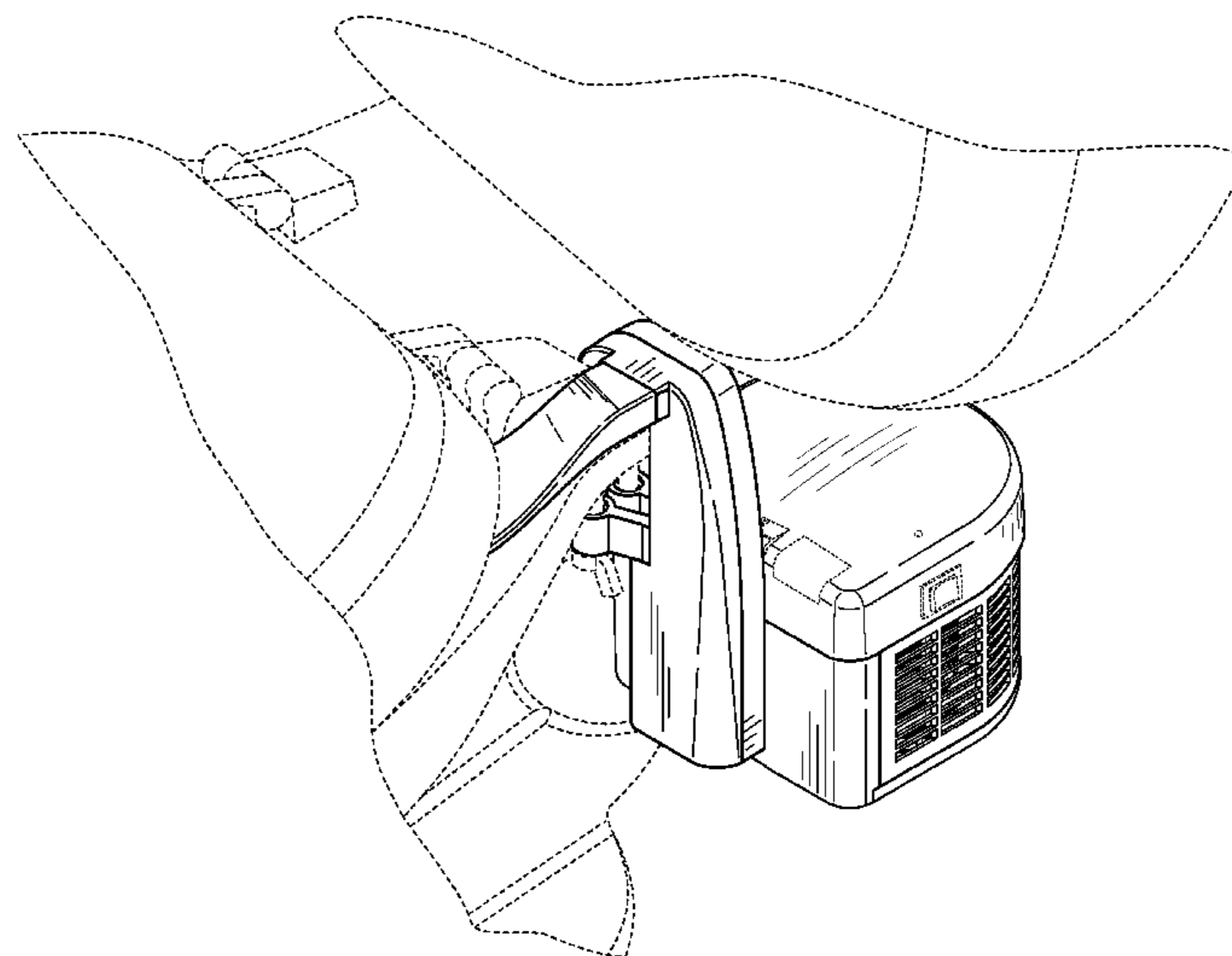
FIG. 6 is a left side view of the deodorizing assembly of FIG. 1.

FIG. 7 is a top view of the deodorizing assembly of FIG. 1; and,

FIG. 8 is a bottom view of the deodorizing assembly of FIG. 1.

The broken lines showing of a toilet in FIG. 1 are included for the purpose of illustrating environment and forms no part of the claimed design. Other broken lines showing structural elements in FIGS. 1-5, 7, and 8 form no part of the claimed design.

1 Claim, 8 Drawing Sheets



US D629,498 S

Page 2

U.S. PATENT DOCUMENTS

D377,390 S	1/1997	Ketcham	
5,603,455 A *	2/1997	Lin	239/44
D382,549 S	8/1997	Yoshimoto	
D384,140 S	9/1997	Jane et al.	
D384,736 S *	10/1997	Goode et al.	D23/366
5,761,915 A *	6/1998	Rao	62/94
5,781,937 A	7/1998	Liang	
D401,318 S	11/1998	Rakocy	
5,875,496 A	3/1999	Schaffer	
5,996,131 A *	12/1999	Vallair	4/213
5,997,674 A	12/1999	Rakocy et al.	
D426,627 S *	6/2000	Cho	D23/355
D428,645 S	7/2000	Rossmann et al.	
D444,218 S	6/2001	Mittelstadt et al.	
6,260,214 B1	7/2001	Smith	
D452,302 S	12/2001	Hagen	
6,344,065 B1	2/2002	Boulva	
D455,826 S	4/2002	Gillingham et al.	
D456,499 S	4/2002	Ching	
6,363,542 B1	4/2002	Pope, Sr.	
D459,454 S	6/2002	Shapiro	
D467,325 S	12/2002	Ching	
6,523,184 B2	2/2003	Prisco	
6,550,072 B1	4/2003	Ware	
D480,127 S	9/2003	Cox et al.	
6,643,850 B2	11/2003	Chasen et al.	
6,678,900 B2	1/2004	Ware	
D487,927 S	3/2004	Toro	
6,795,980 B1	9/2004	Ries	
D505,487 S	5/2005	Blateri	
D506,248 S	6/2005	Blateri	
D507,824 S	7/2005	Blateri	
D509,292 S	9/2005	Gatchell et al.	
D509,293 S *	9/2005	Rivera	D23/368
D511,377 S	11/2005	Erwan et al.	
D522,116 S	5/2006	Zhixiang	
D557,773 S *	12/2007	Antoniou	D23/309
D558,870 S	1/2008	Triplett et al.	
D583,279 S	12/2008	Lee et al.	
D588,257 S	3/2009	Reedy et al.	
D593,188 S *	5/2009	Warne et al.	D23/309
D598,088 S	8/2009	Foerster	
D612,922 S	3/2010	Foerster	

OTHER PUBLICATIONS

OdorVac, <http://www.odorvac.com/>.
Miracle Seat, <http://www.miracleseat.com/>.

* cited by examiner

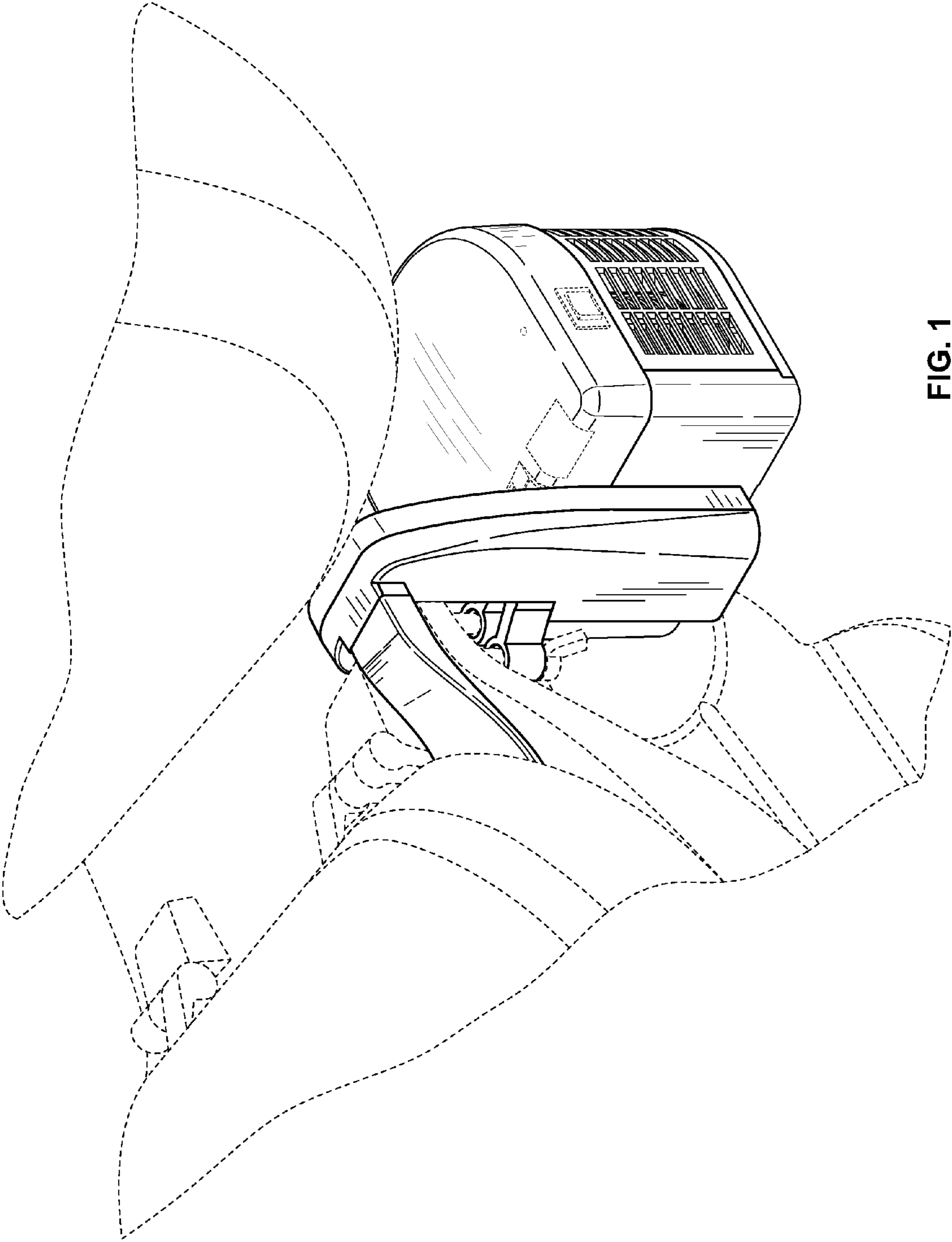


FIG. 1

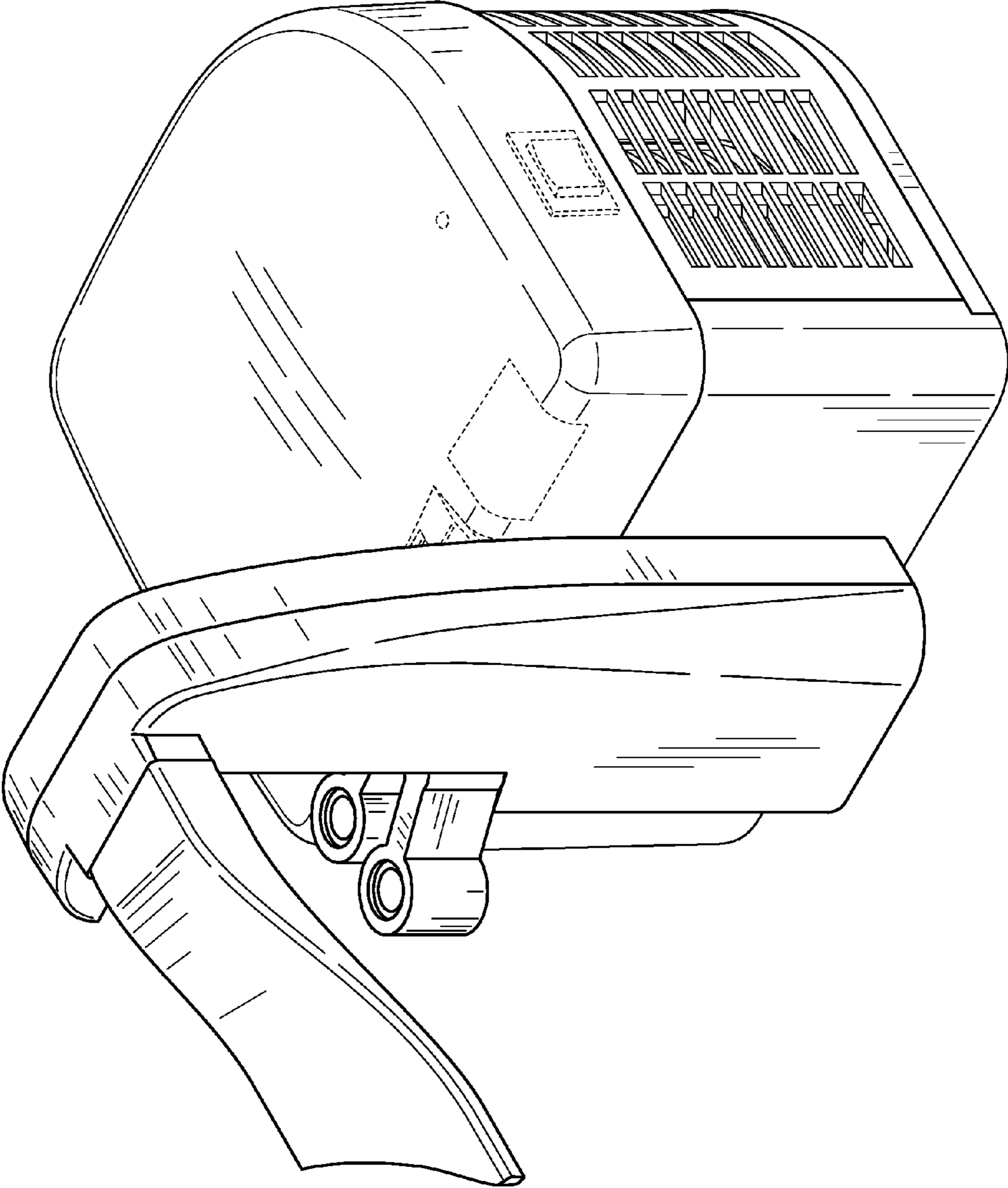


FIG. 2

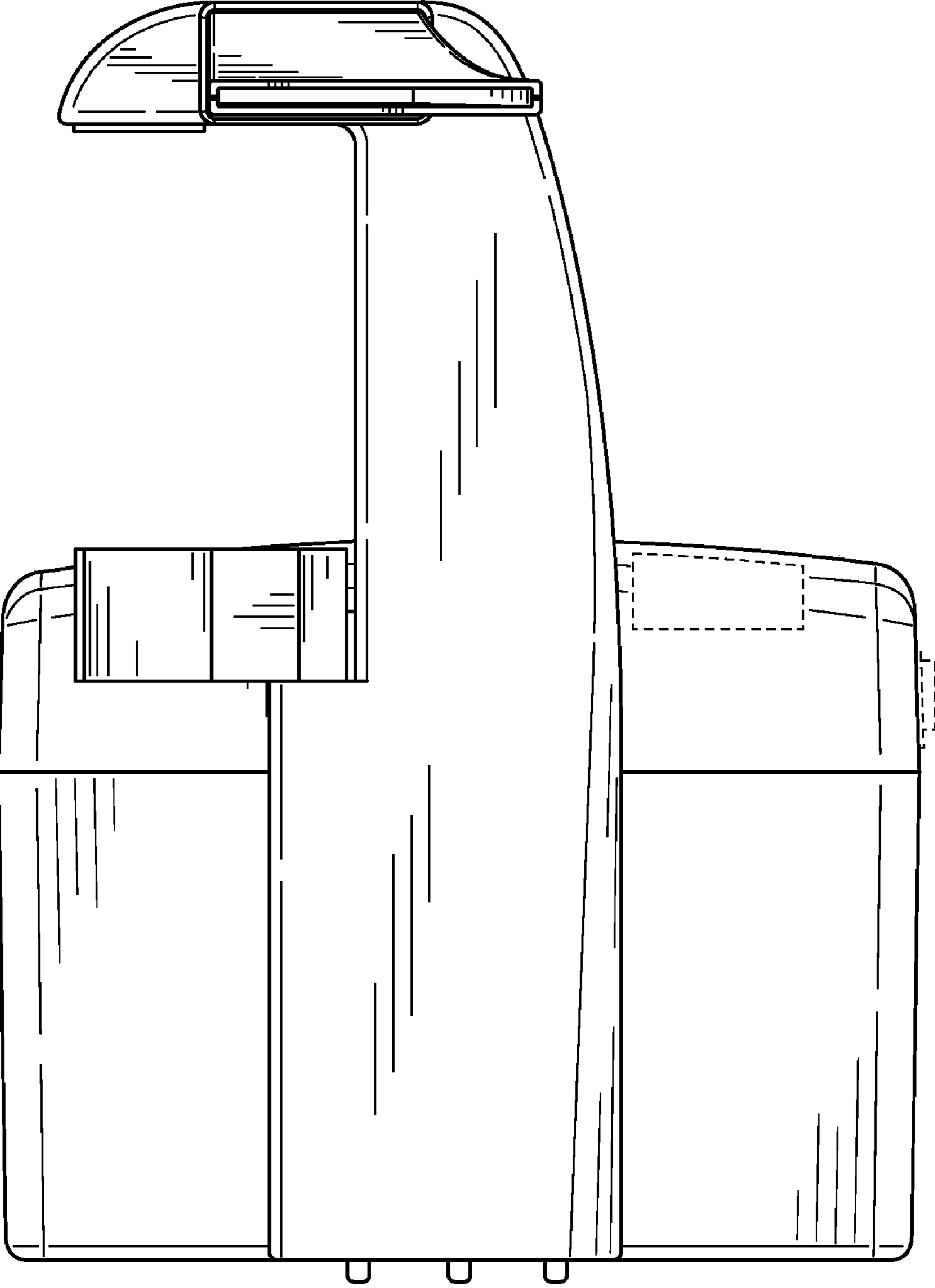


FIG. 3

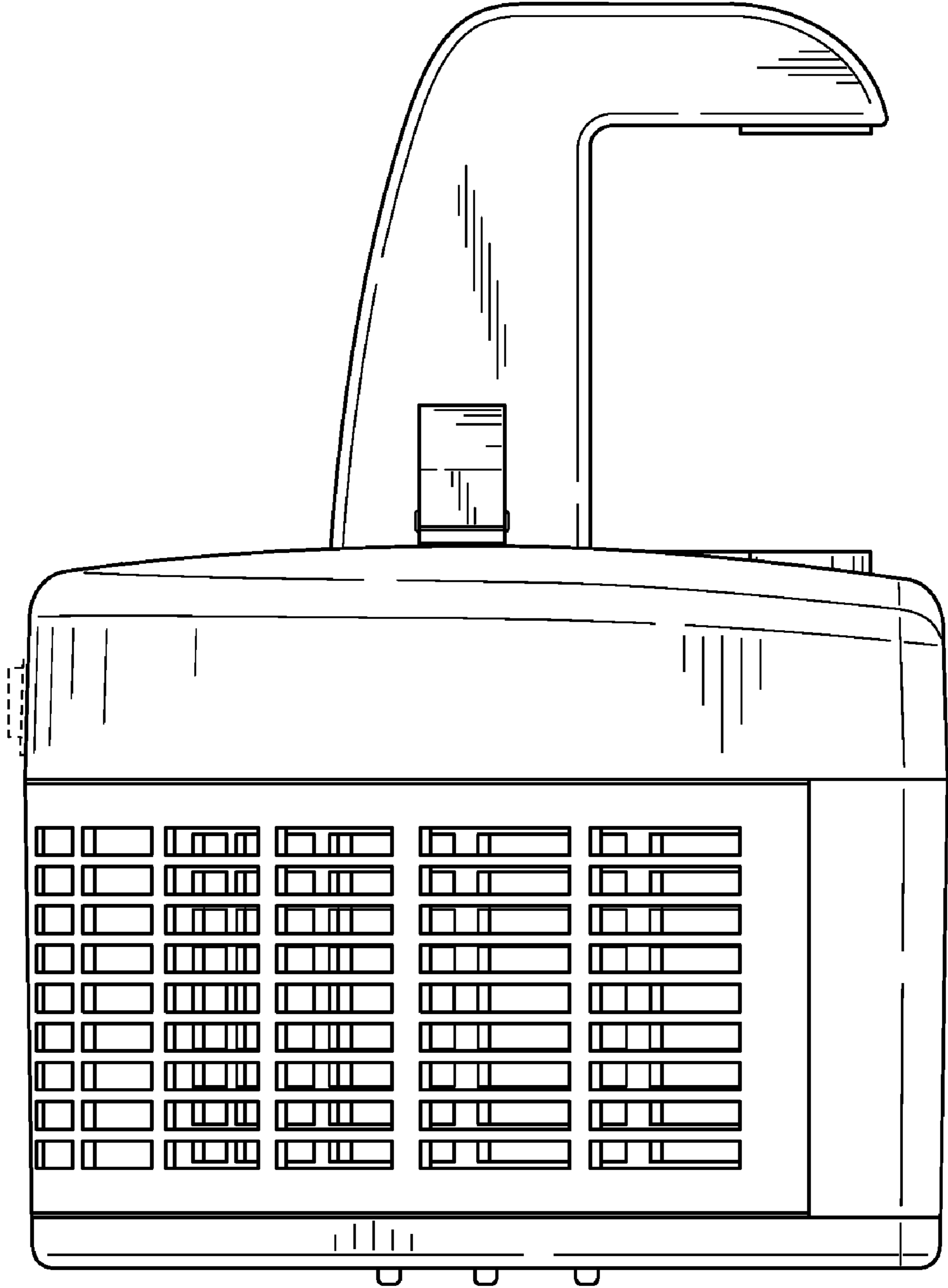


FIG. 4

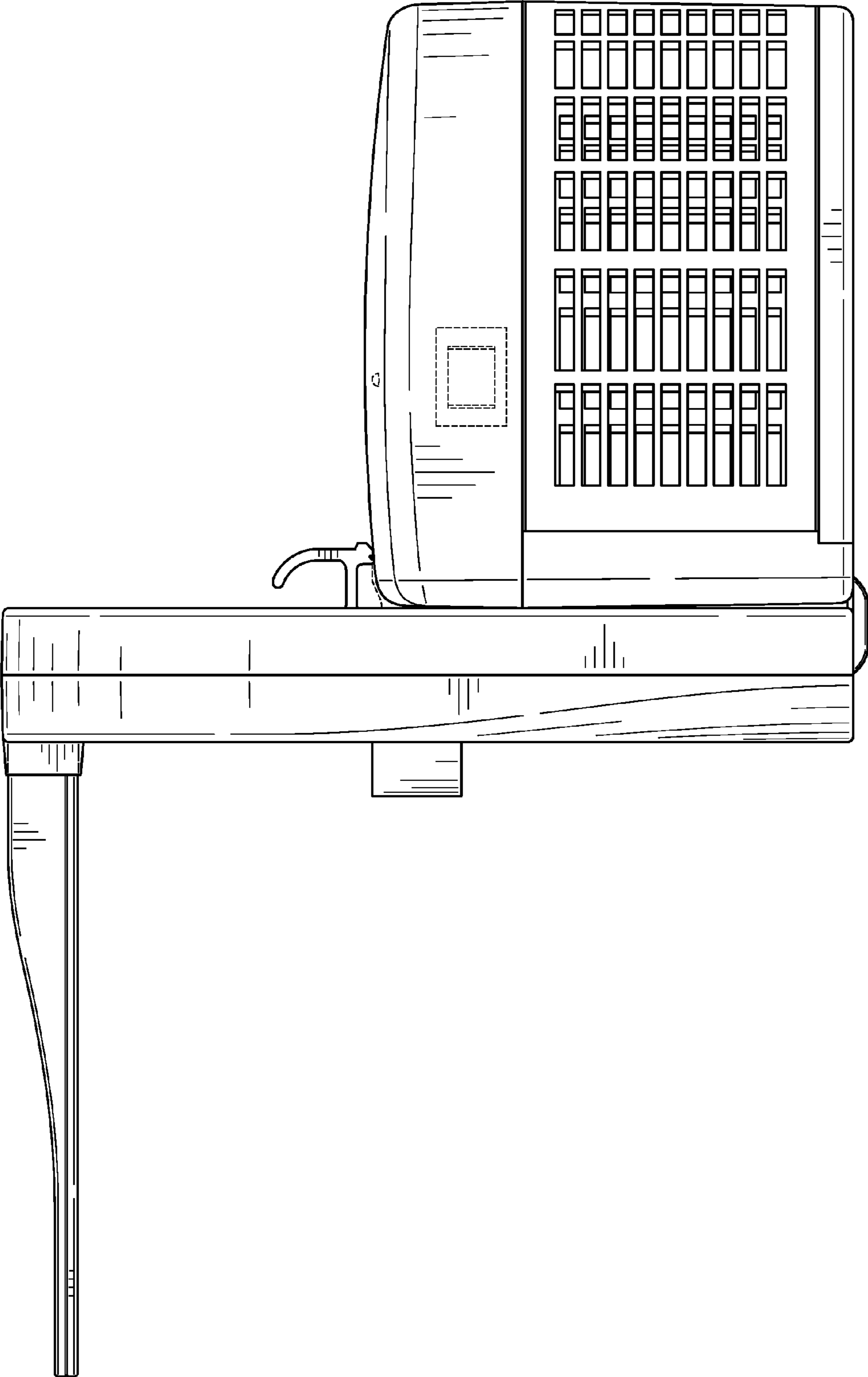


FIG. 5

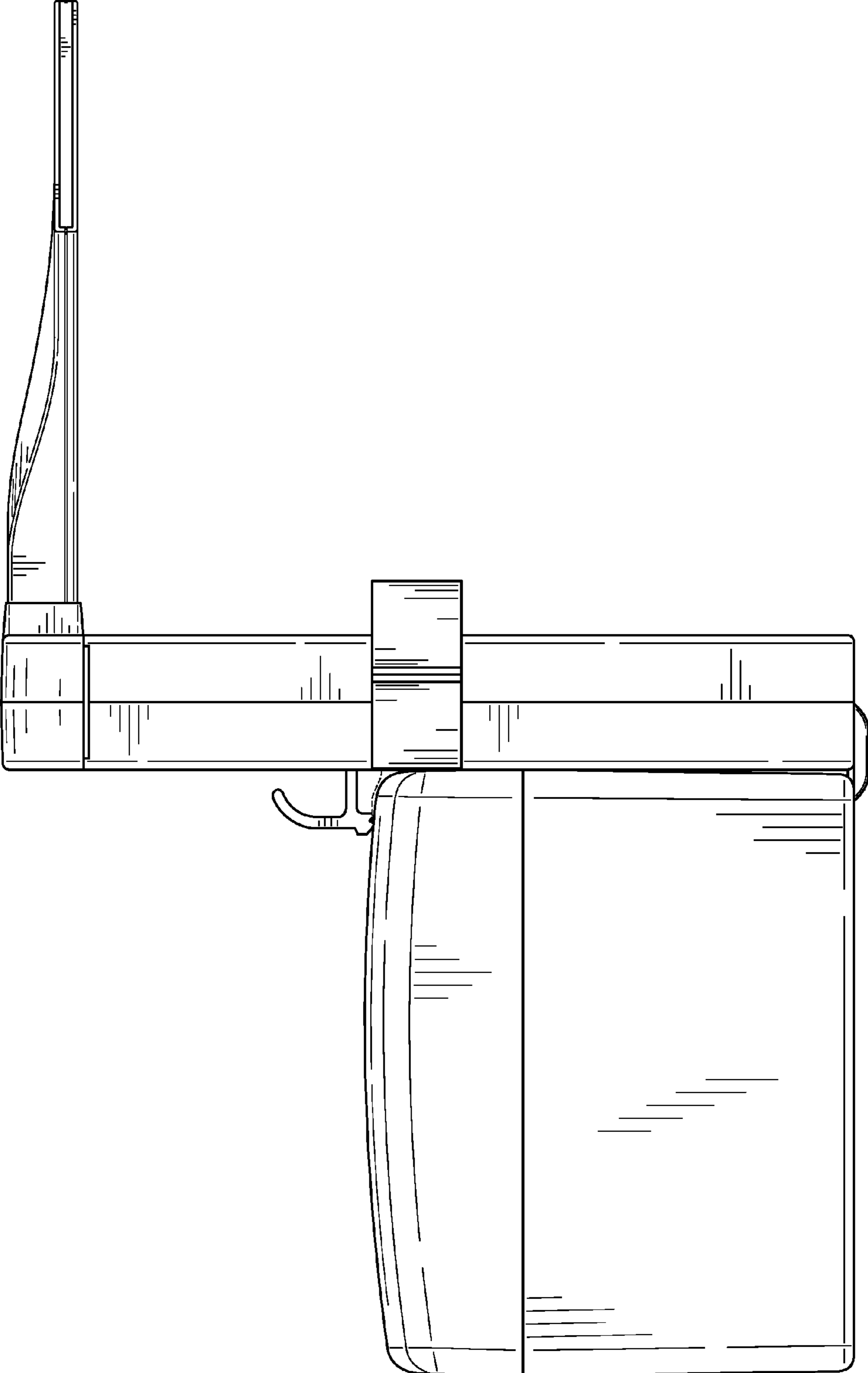


FIG. 6

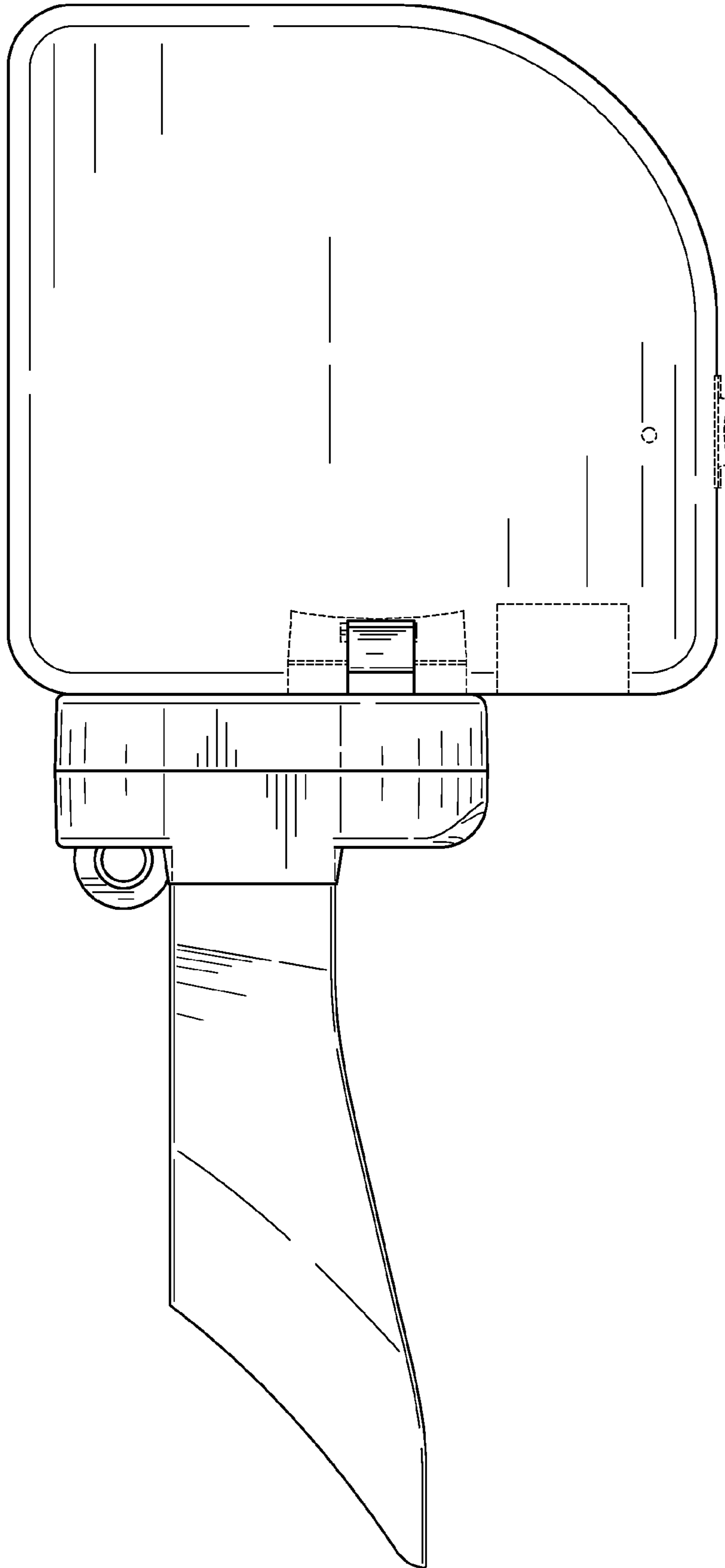


FIG. 7

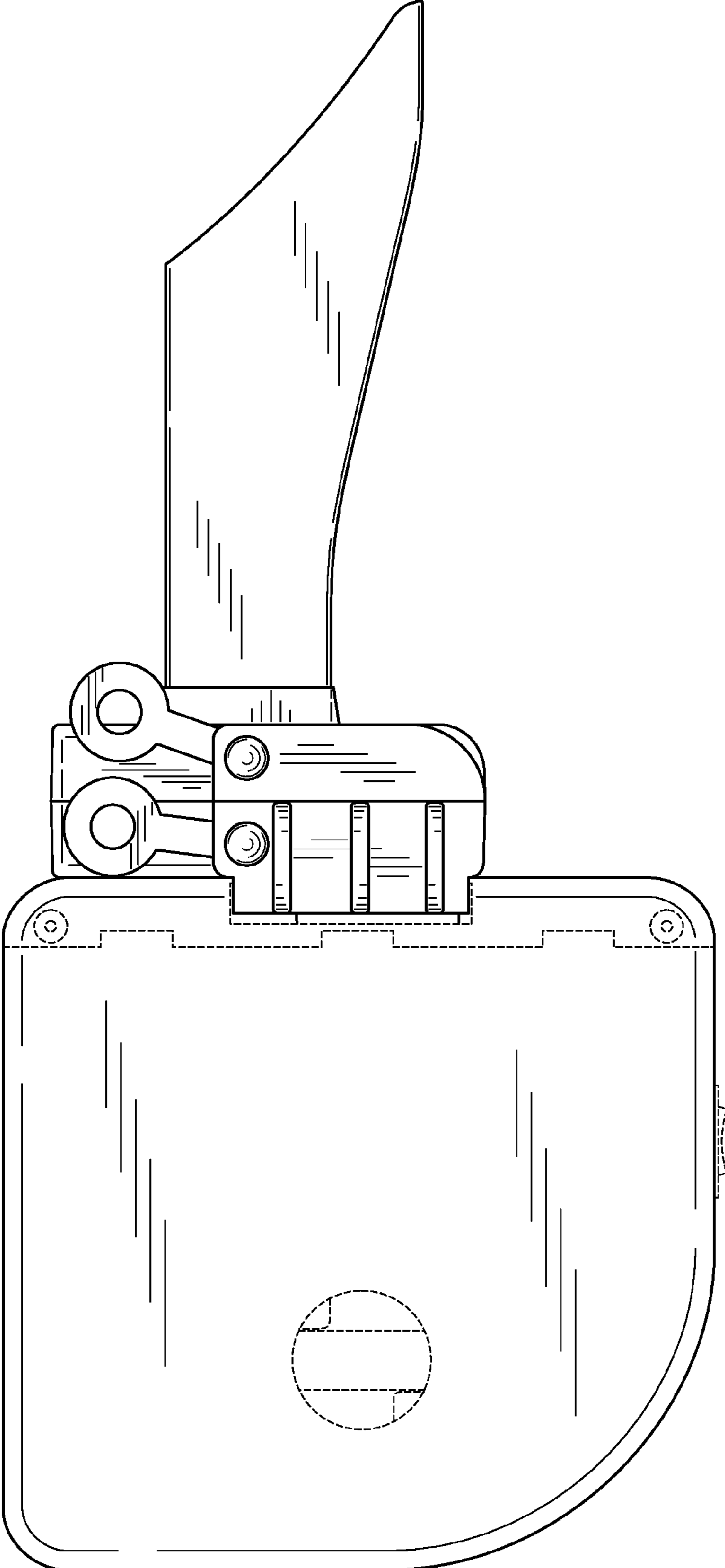


FIG. 8