



US00D629497S

(12) **United States Design Patent**
Shah et al.

(10) **Patent No.:** **US D629,497 S**

(45) **Date of Patent:** **** *Dec. 21, 2010**

(54) **PIPE COUPLING SEGMENT**

D334,050 S 3/1993 Foxlee
D339,975 S 10/1993 Bird et al.
5,911,446 A 6/1999 McLennan et al.
6,076,861 A 6/2000 Ikeda

(75) Inventors: **Amit R. Shah**, Quakertown, PA (US);
Michael V. Porter, Easton, PA (US);
Scott D. Madara, Nazareth, PA (US)

(73) Assignee: **Victaulic Company**, Easton, PA (US)

(*) Notice: This patent is subject to a terminal disclaimer.

(Continued)

(**) Term: **14 Years**

(21) Appl. No.: **29/363,098**

(22) Filed: **Jun. 4, 2010**

OTHER PUBLICATIONS

Asian Sources Hardware (Apr. 2006), p. 187.

(Continued)

Related U.S. Application Data

(62) Division of application No. 29/345,583, filed on Oct. 19, 2009, now Pat. No. Des. 621,483.

Primary Examiner—T. Chase Nelson
Assistant Examiner—Eric L Goodman
(74) *Attorney, Agent, or Firm*—Ballard Spahr LLP

(51) **LOC (9) Cl.** **23-01**

(52) **U.S. Cl.** **D23/262**

(58) **Field of Classification Search** D23/259–269;
285/340, 367, 373, 404, 53, 915; D8/396;
403/291, 300; 411/5, 10; 137/801

See application file for complete search history.

(57) **CLAIM**

We claim the ornamental design for a pipe coupling segment, as shown and described.

(56) **References Cited**

U.S. PATENT DOCUMENTS

1,851,574 A 3/1932 Fiederlein
D142,057 S 8/1945 Baxter
D142,834 S 11/1945 Campbell
D168,928 S 3/1953 English
2,752,173 A 6/1956 Kroos
3,695,638 A 10/1972 Blakeley
4,218,080 A 8/1980 Kendrick
4,408,788 A 10/1983 Beukema
D287,532 S 12/1986 Jones et al.
4,896,902 A 1/1990 Weston
4,966,395 A 10/1990 Hendrickson
5,058,931 A 10/1991 Bowsher

DESCRIPTION

FIG. 1 is an isometric view of our design for a pipe coupling segment;

FIG. 2 is a front view of the design for a pipe coupling segment shown in FIG. 1, the rear view being identical;

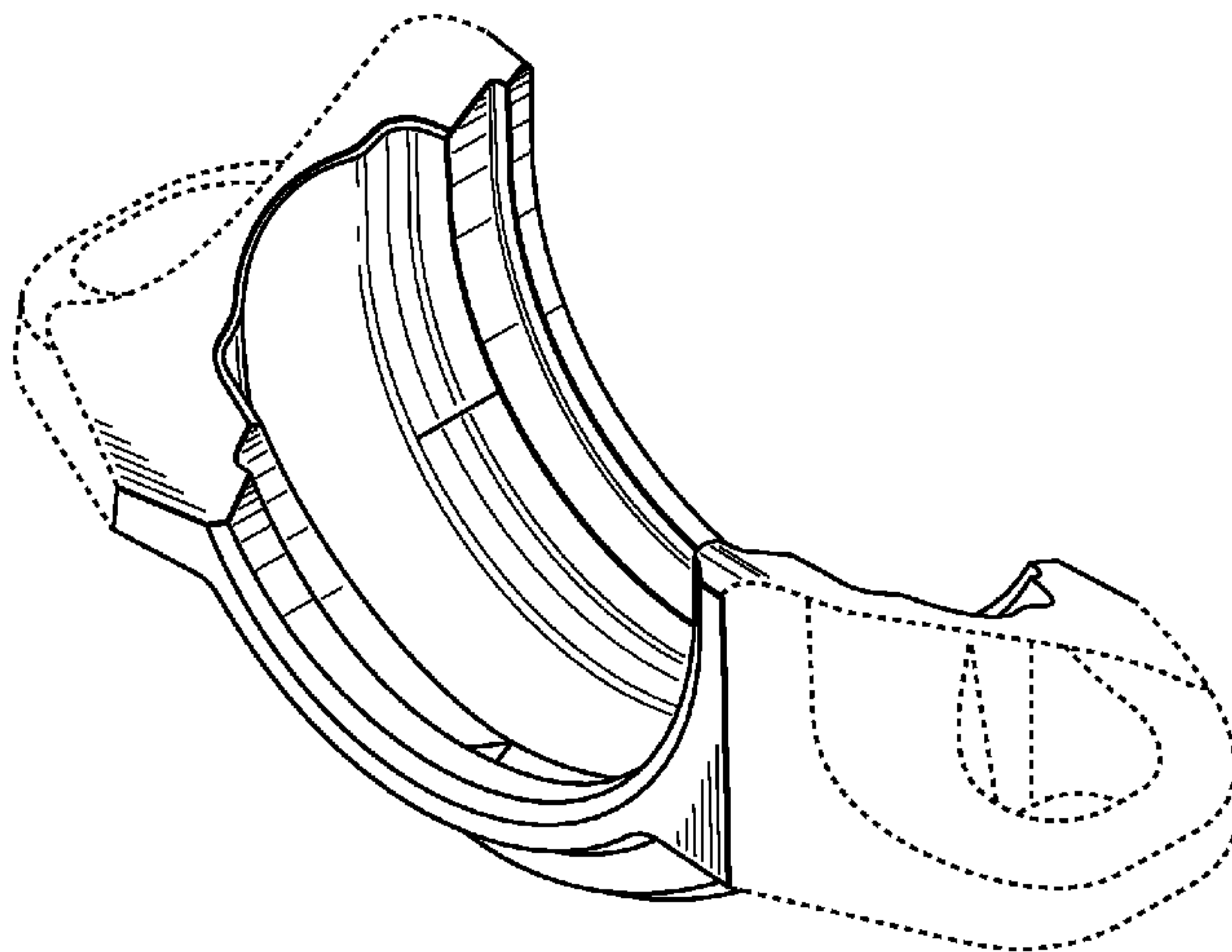
FIG. 3 is a top view of the design for a pipe coupling segment shown in FIG. 1;

FIG. 4 is a bottom view of the design for a pipe coupling segment shown in FIG. 1; and,

FIG. 5 is a left side view of the design for a pipe coupling segment shown in FIG. 1, the right side view being identical.

The broken lines in FIGS. 1-5 are for illustrative purposes only and form no part of the claimed design.

1 Claim, 2 Drawing Sheets



US D629,497 S

Page 2

U.S. PATENT DOCUMENTS

6,170,884 B1 1/2001 McLennan et al.
6,626,466 B1 9/2003 Dole
7,086,131 B2 8/2006 Gibb et al.
7,090,259 B2 8/2006 Dole
D558,307 S 12/2007 Gibb et al.
D560,764 S 1/2008 Gibb et al.
D568,451 S 5/2008 Gibb et al.
D570,458 S 6/2008 Gibb et al.
D583,444 S 12/2008 Nagle et al.
D583,914 S 12/2008 Pierce et al.
D583,916 S 12/2008 Madara et al.
D587,347 S * 2/2009 Madara et al. D23/265
D587,348 S * 2/2009 Madara et al. D23/265

D587,349 S 2/2009 Madara et al.
D590,923 S 4/2009 Nagle et al.
D590,924 S 4/2009 Nagle et al.
D590,925 S 4/2009 Nagle et al.
D595,813 S * 7/2009 Pierce et al. D23/262
D595,814 S * 7/2009 Pierce et al. D23/262
D595,815 S 7/2009 Pierce et al.
D621,483 S * 8/2010 Shah et al. D23/262
2005/0242585 A1 11/2005 Dole et al.
2008/0284161 A1 11/2008 Dole et al.

OTHER PUBLICATIONS

U.S. Appl. No. 29/363,104, filed Jun. 4, 2010, Michael V. Porter.

* cited by examiner

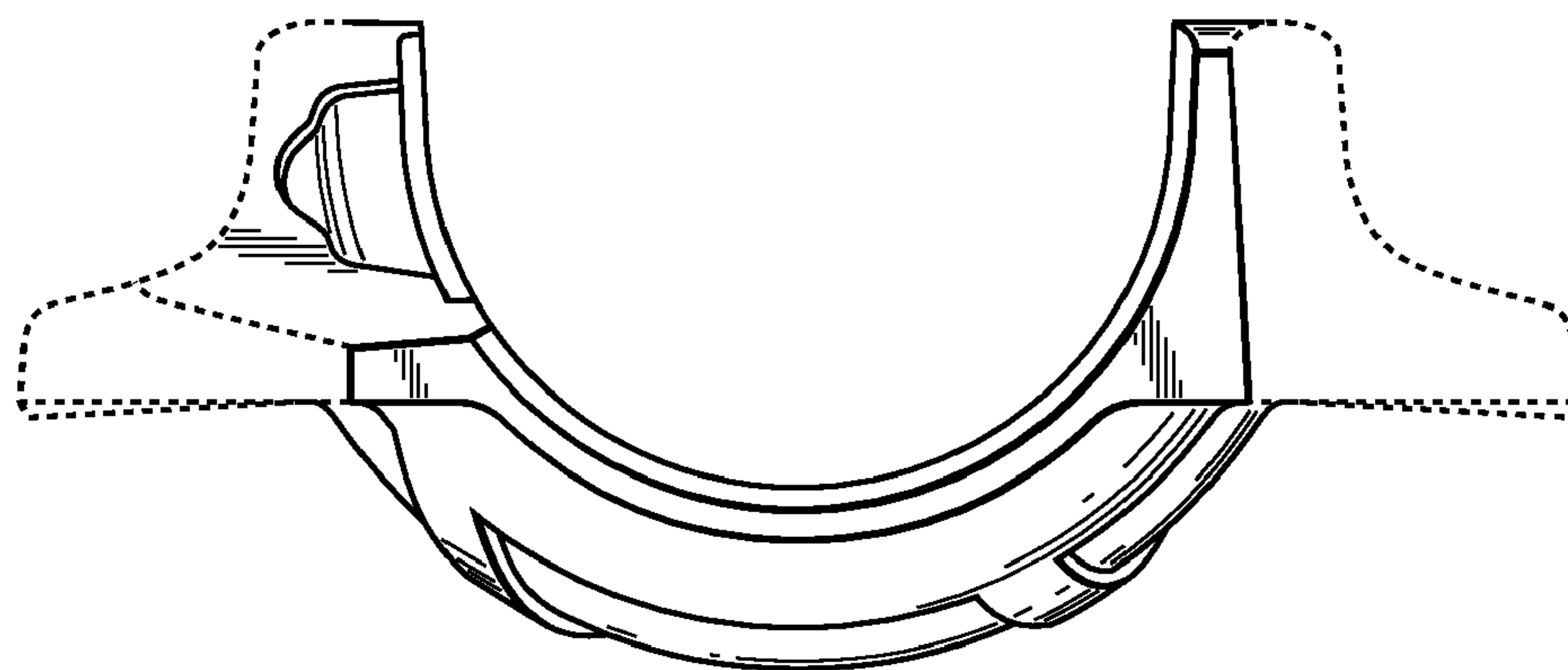
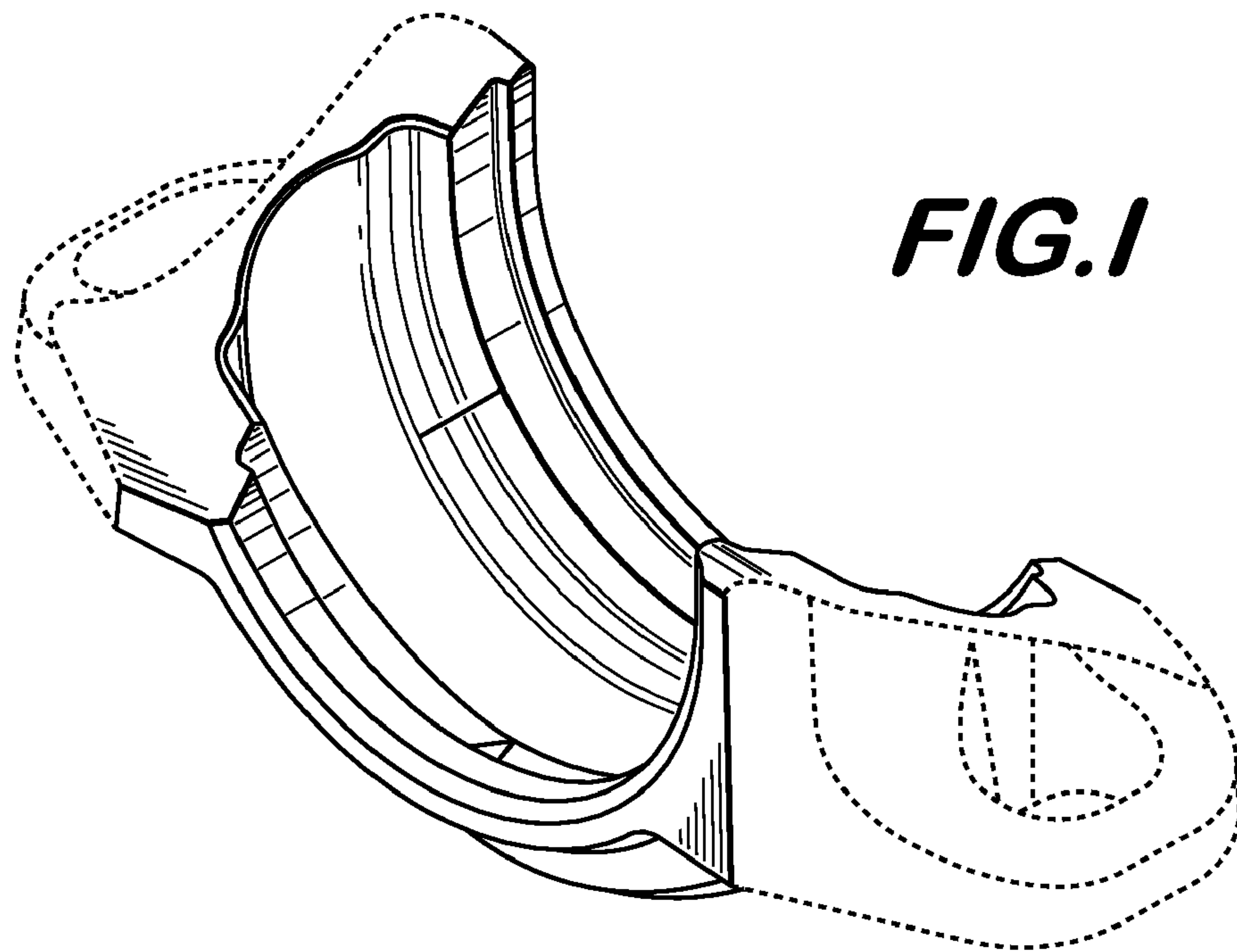


FIG. 3

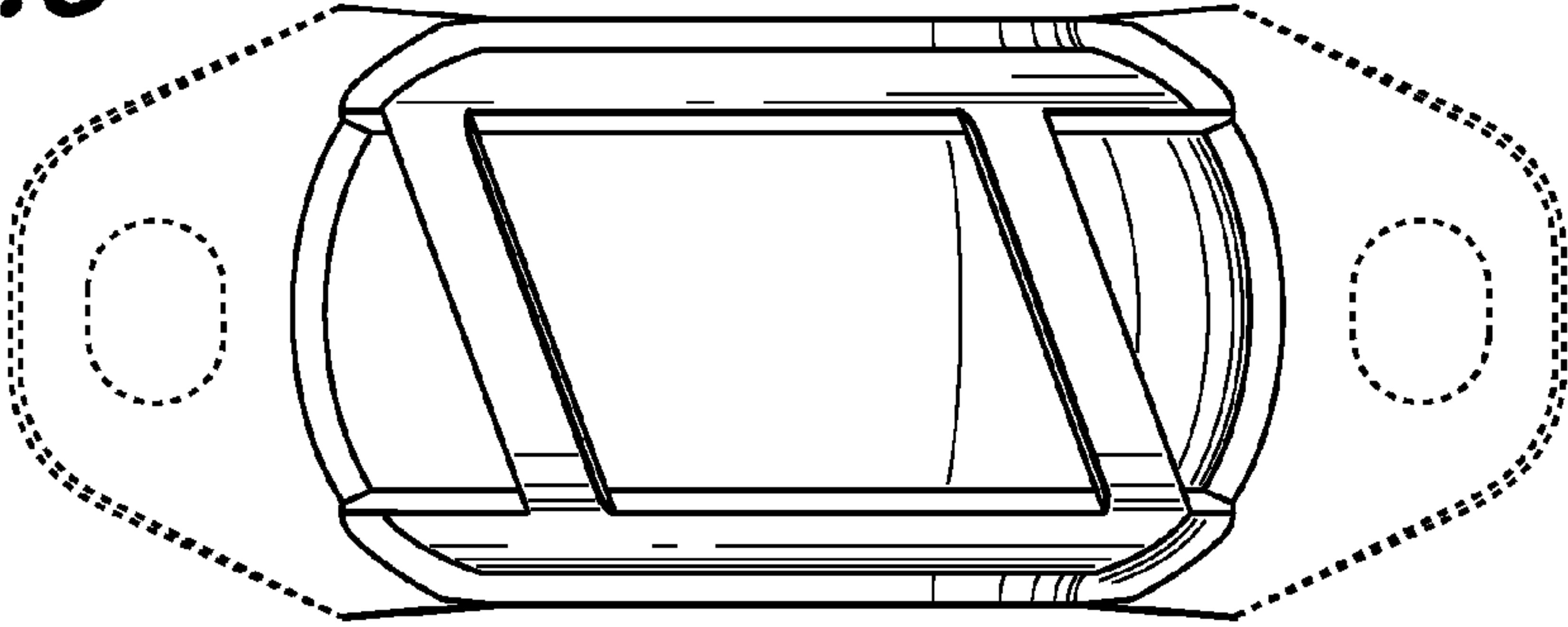


FIG. 4

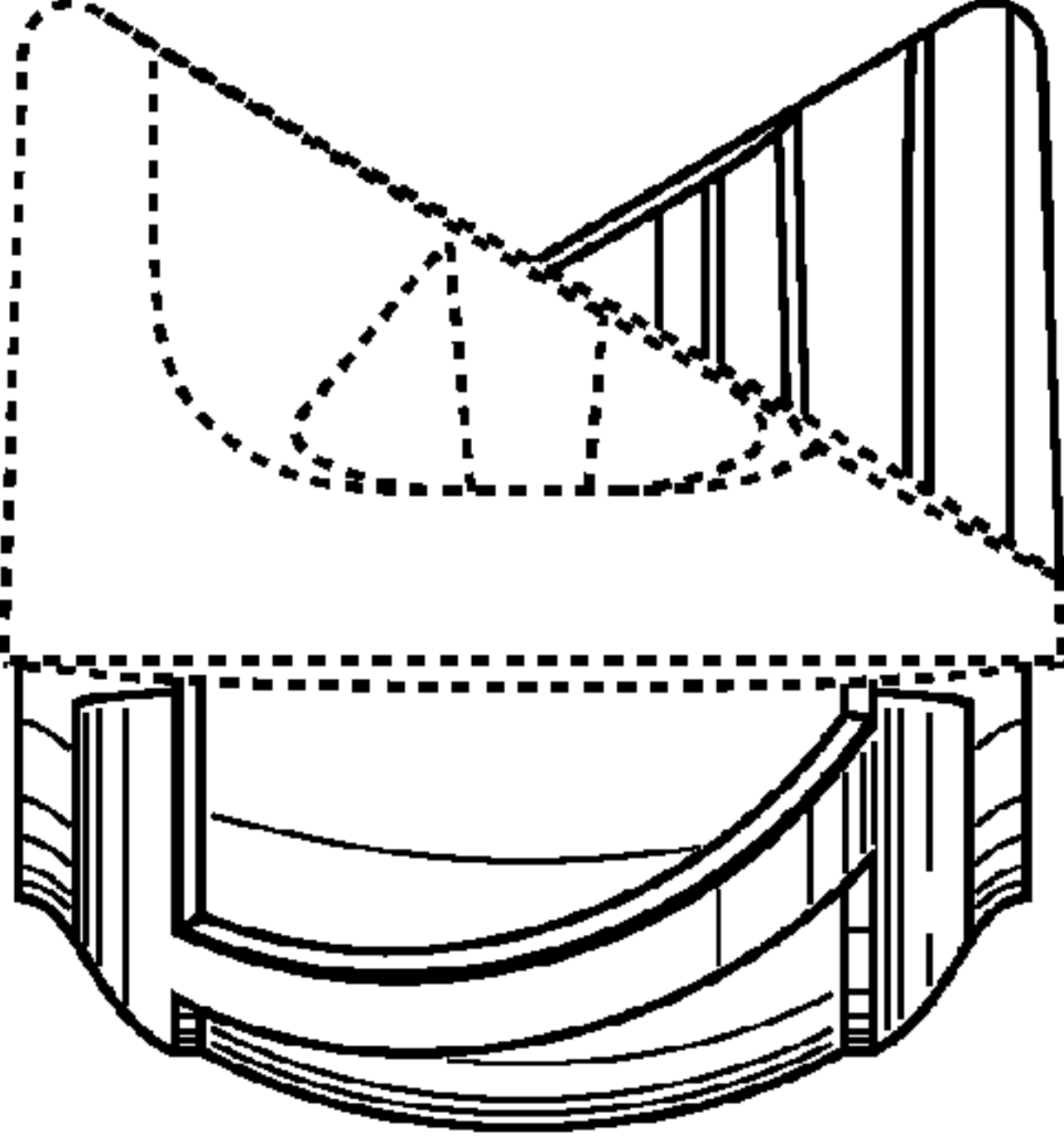
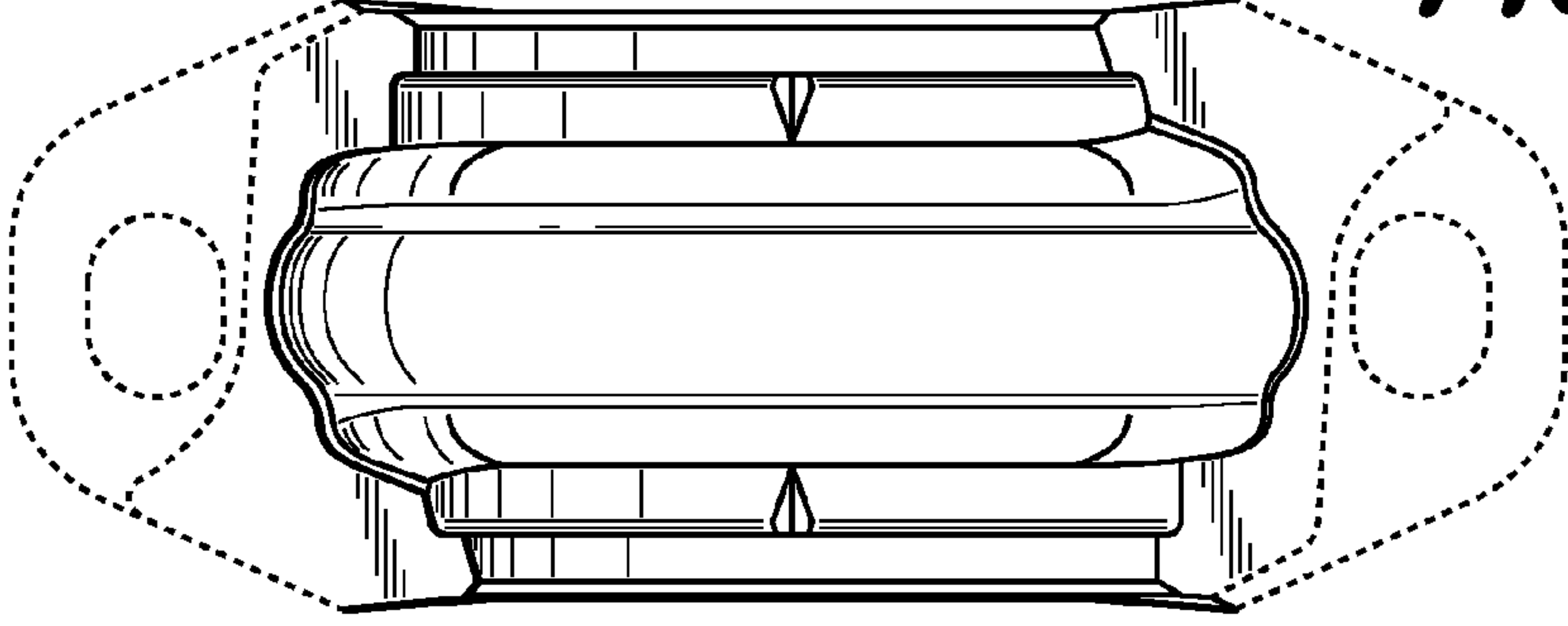


FIG. 5