



US00D629495S

(12) **United States Design Patent**
Phagoo

(10) **Patent No.:** **US D629,495 S**

(45) **Date of Patent:** **** Dec. 21, 2010**

(54) **VALVE AND ALARM BOX**

(75) Inventor: **Paul Phagoo**, Markham (CA)

(73) Assignee: **Amico Corporation**, Richmond Hill,
Ontario (CA)

(**) Term: **14 Years**

(21) Appl. No.: **29/276,145**

(22) Filed: **Jan. 17, 2007**

(51) **LOC (9) Cl.** **23-01**

(52) **U.S. Cl.** **D23/249; D10/116**

(58) **Field of Classification Search** D23/233–237,
D23/244–249, 98, 99, 137, 251, 382, 383,
D23/384.2, 385, 382.5, 292, 293, 300, 304;
70/176–180, 175; D10/104, 116

See application file for complete search history.

(56) **References Cited**

U.S. PATENT DOCUMENTS

D351,564 S * 10/1994 Schepis D10/104
2008/0021379 A1* 1/2008 Hickle 604/66

* cited by examiner

Primary Examiner—Charles A Rademaker

Assistant Examiner—Carissa C Fitts

(74) *Attorney, Agent, or Firm*—Jonathan M. D’Silva;
MacDonald, Illig, Jones & Britton LLP

(57) **CLAIM**

The ornamental design for a box for a valve and alarm box, as shown and described.

DESCRIPTION

FIG. 1 is a perspective view of a valve and alarm box showing my new design;

FIG. 2 is a front view of the box of FIG. 1;

FIG. 3 is a rear view of the box of FIG. 1;

FIG. 4 is a left side view of the box of FIG. 1;

FIG. 5 is a right side view of the box of FIG. 1;

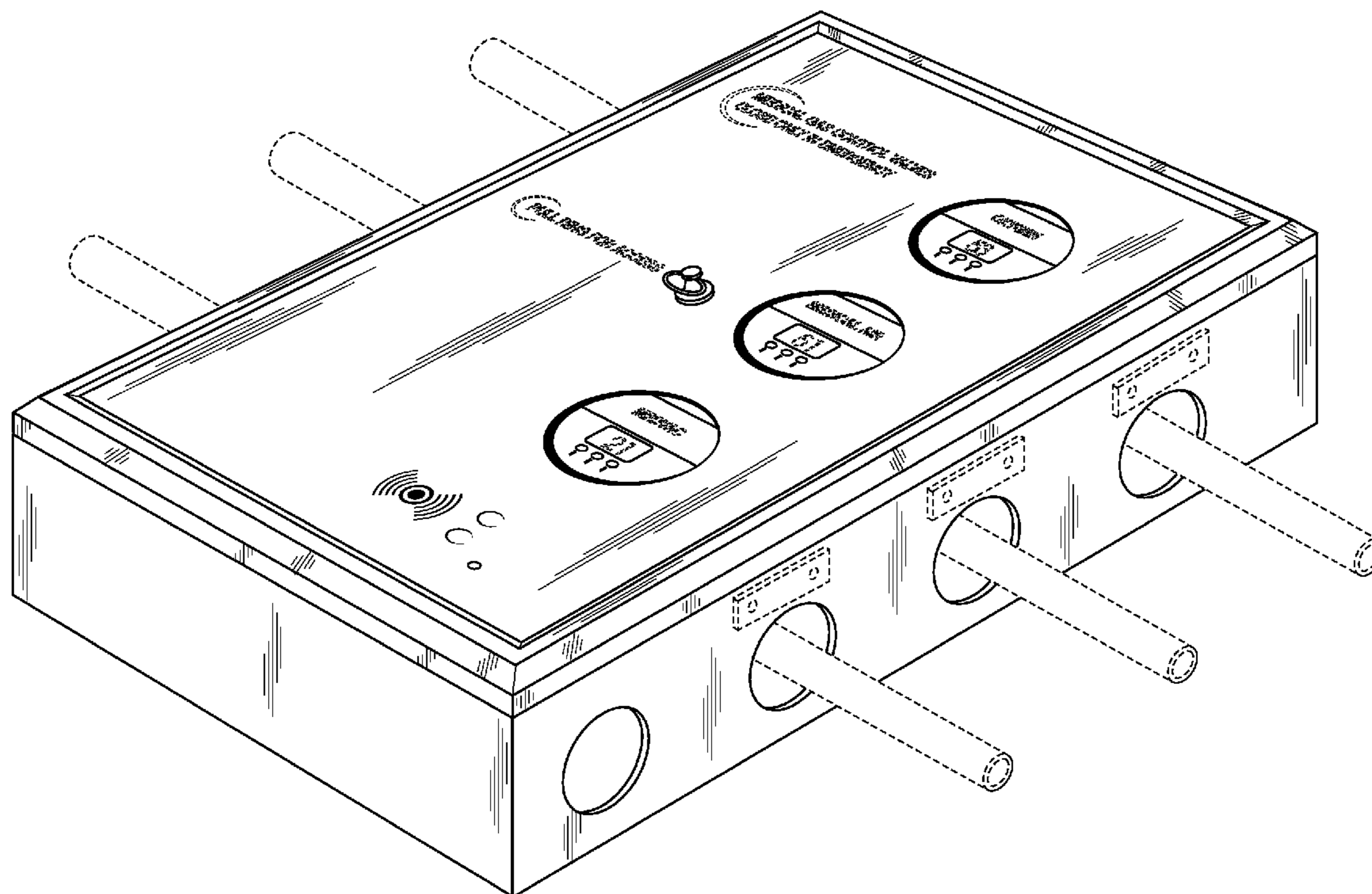
FIG. 6 is a top view of the box of FIG. 1;

FIG. 7 is a bottom view of the box of FIG. 1; and,

FIG. 8 is a perspective view thereof showing the cover removed.

The broken lines shown in the figure drawing are included to show environment only and form no part of the claimed design.

1 Claim, 6 Drawing Sheets



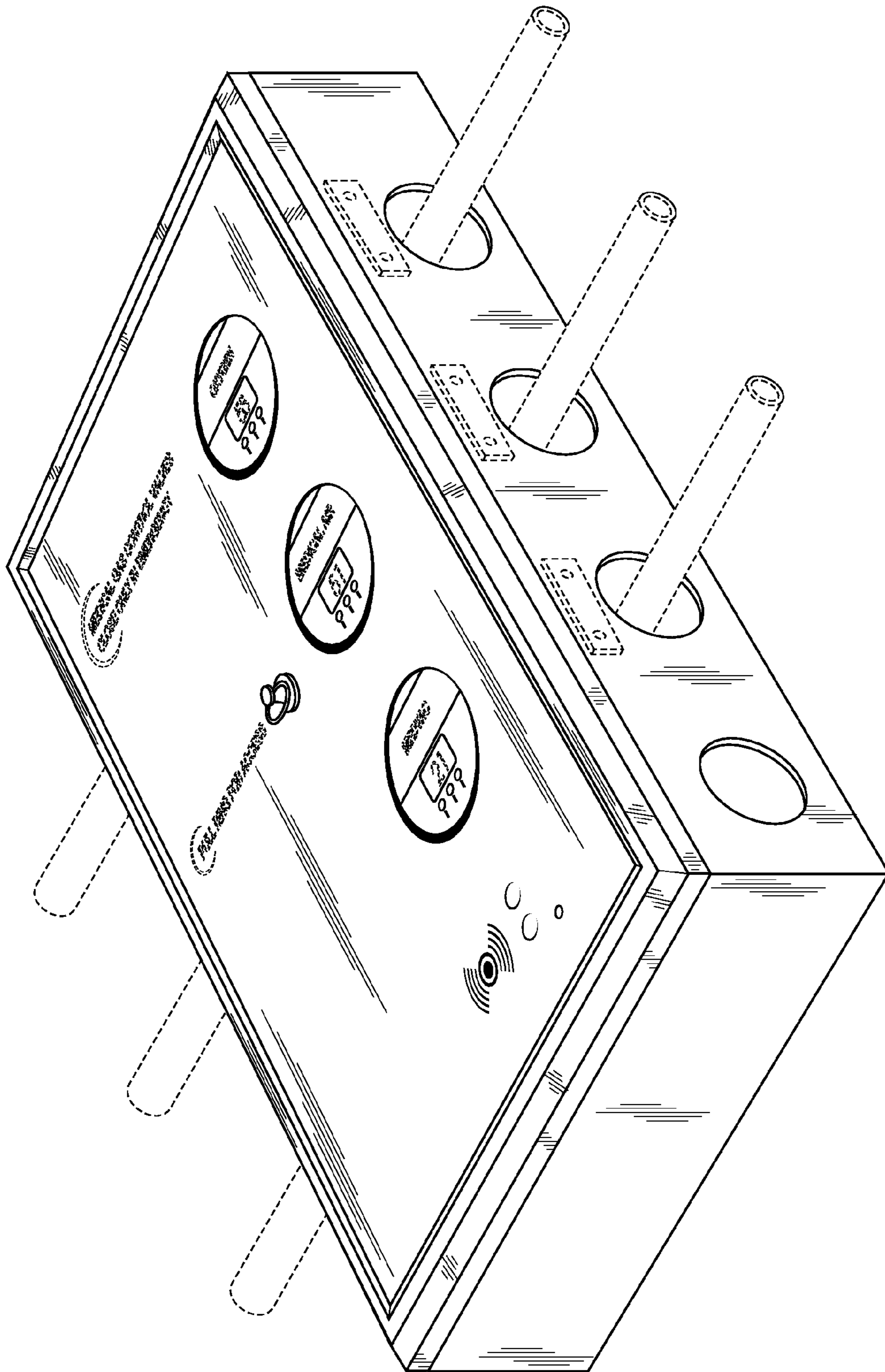


Fig. 1

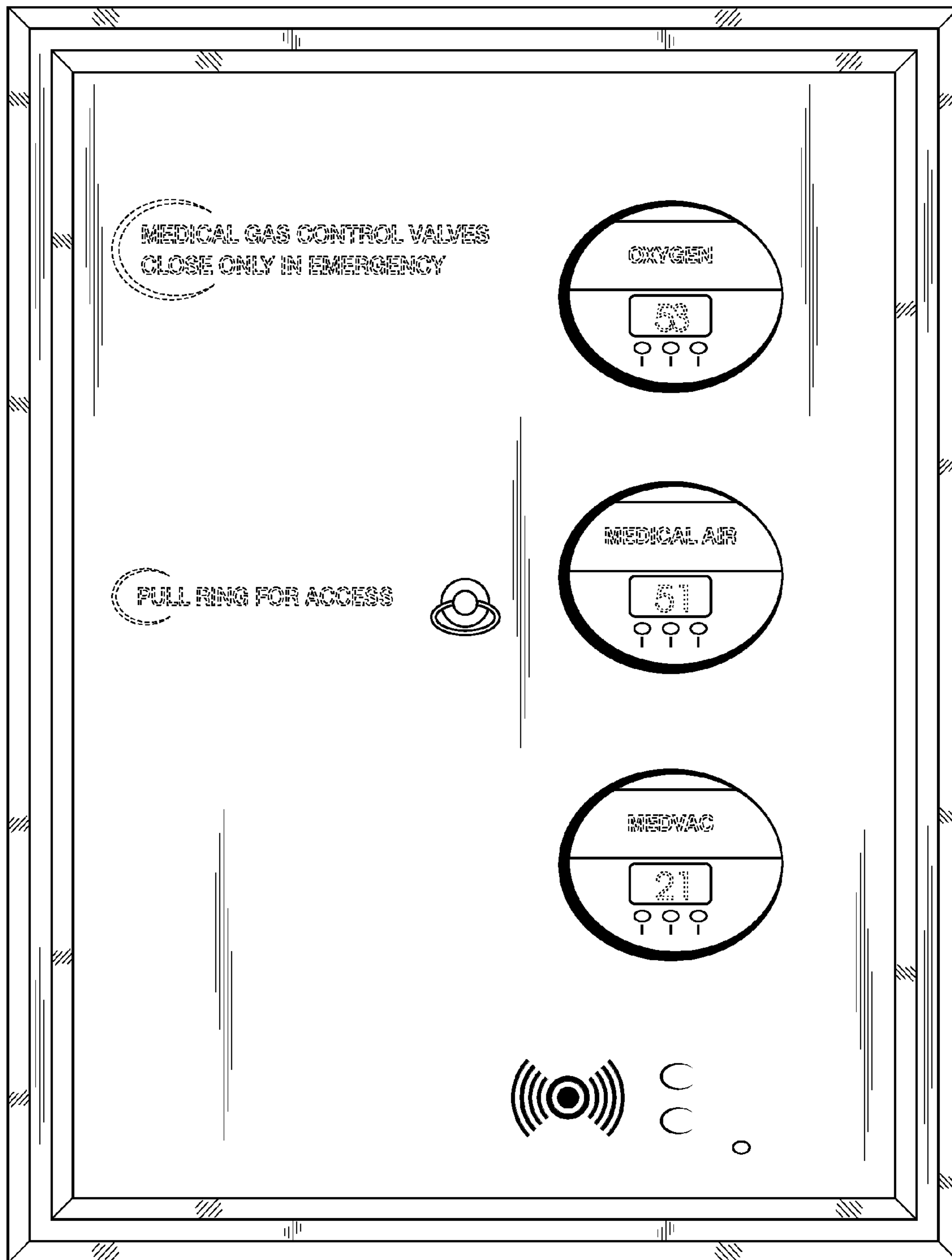


Fig. 2

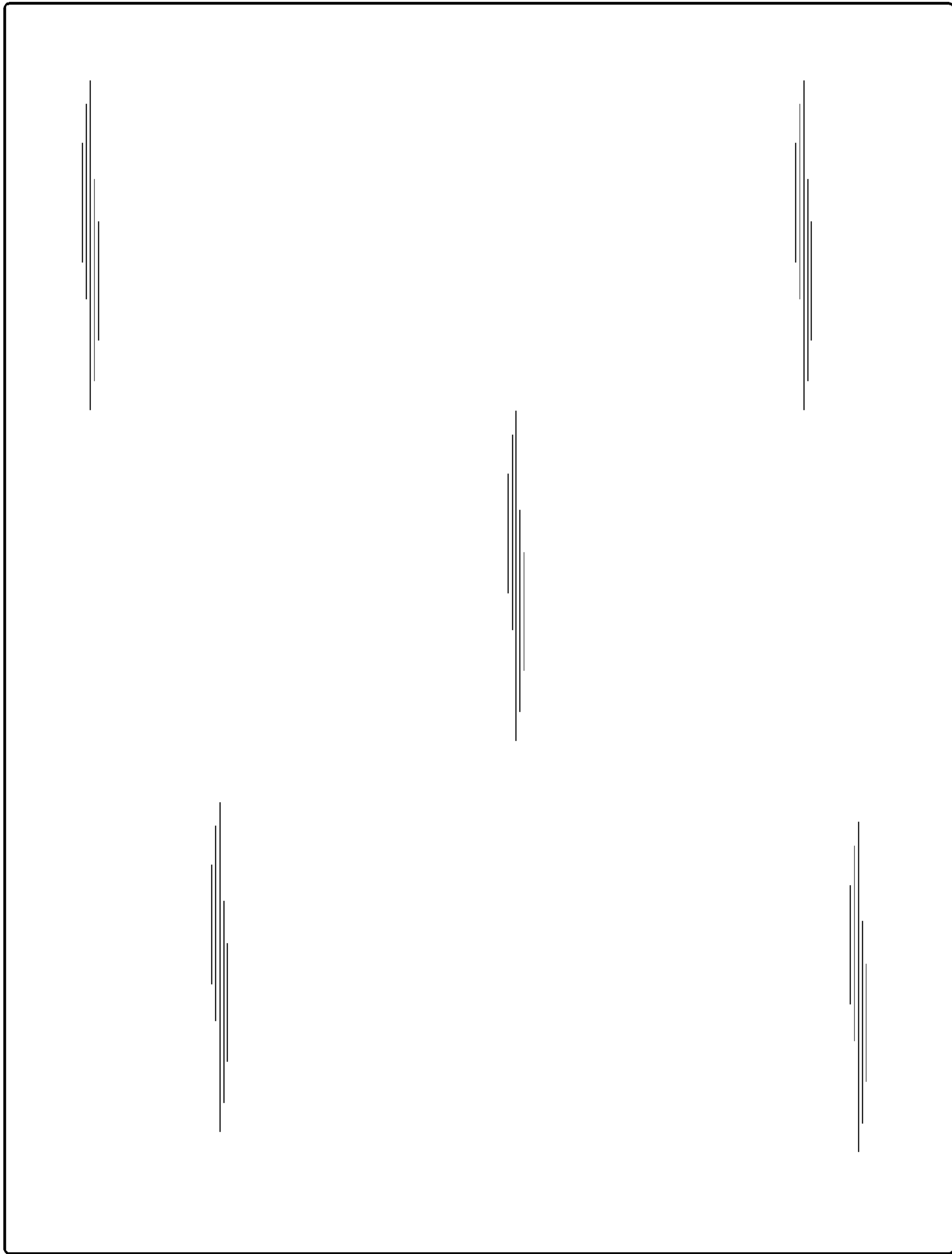


Fig.3

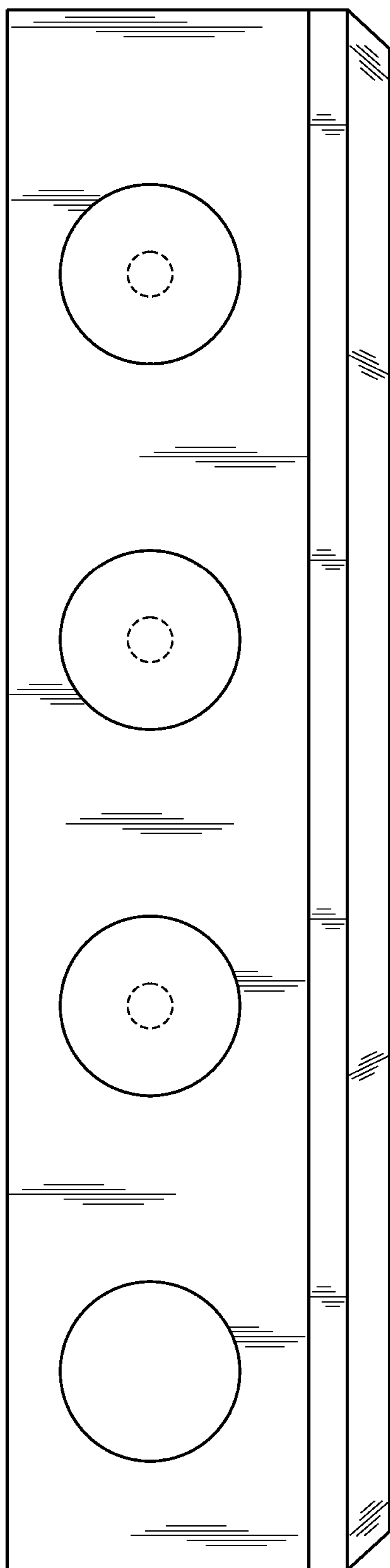


Fig.4

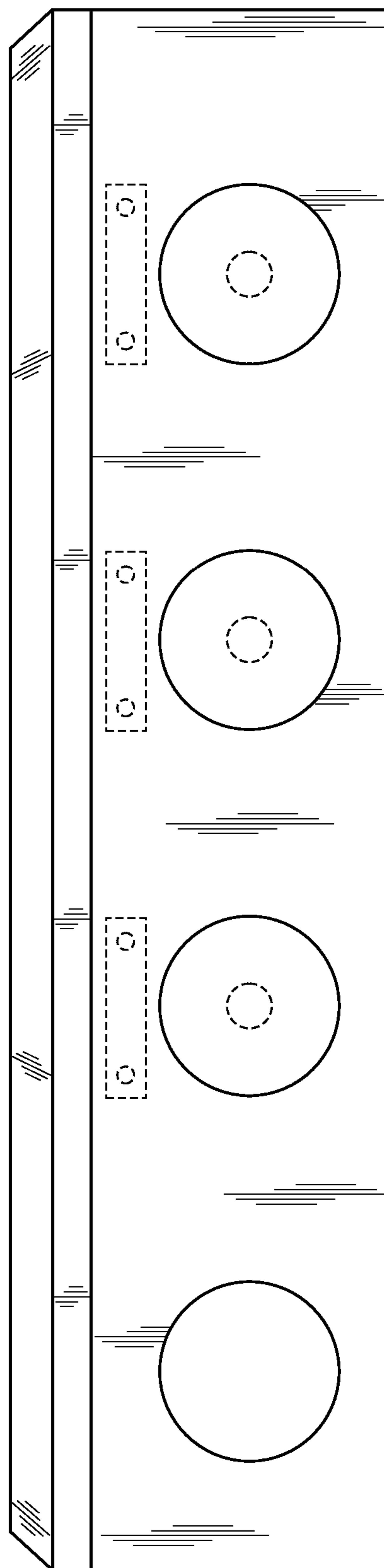


Fig.5

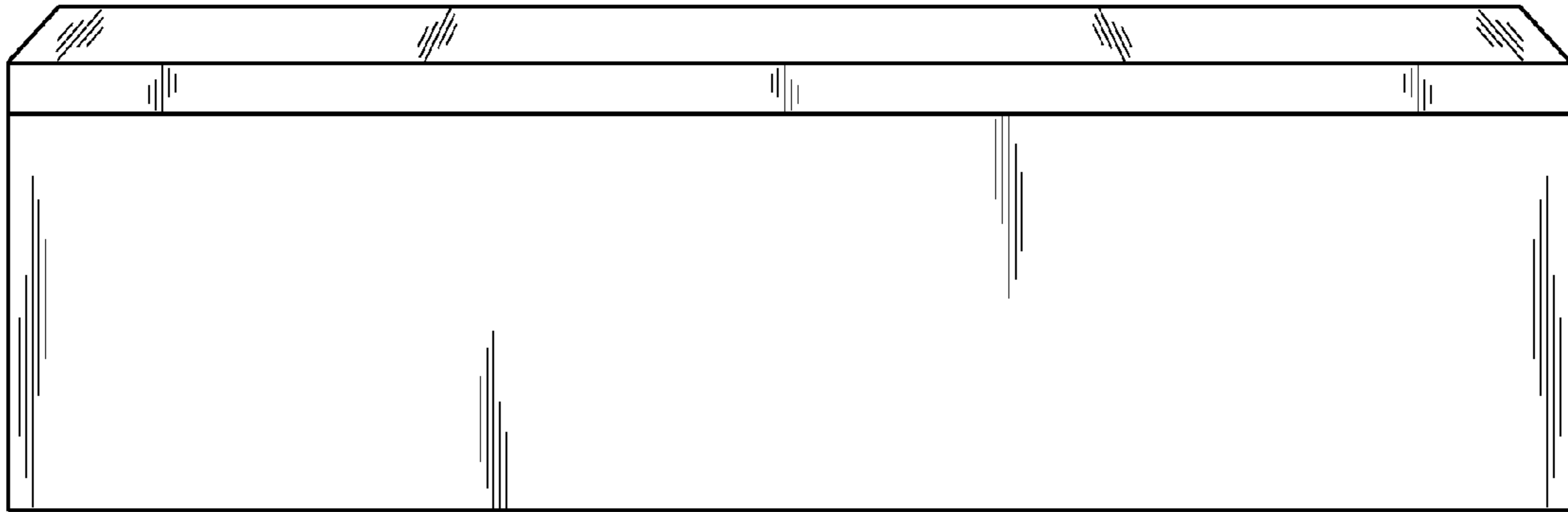


Fig. 6

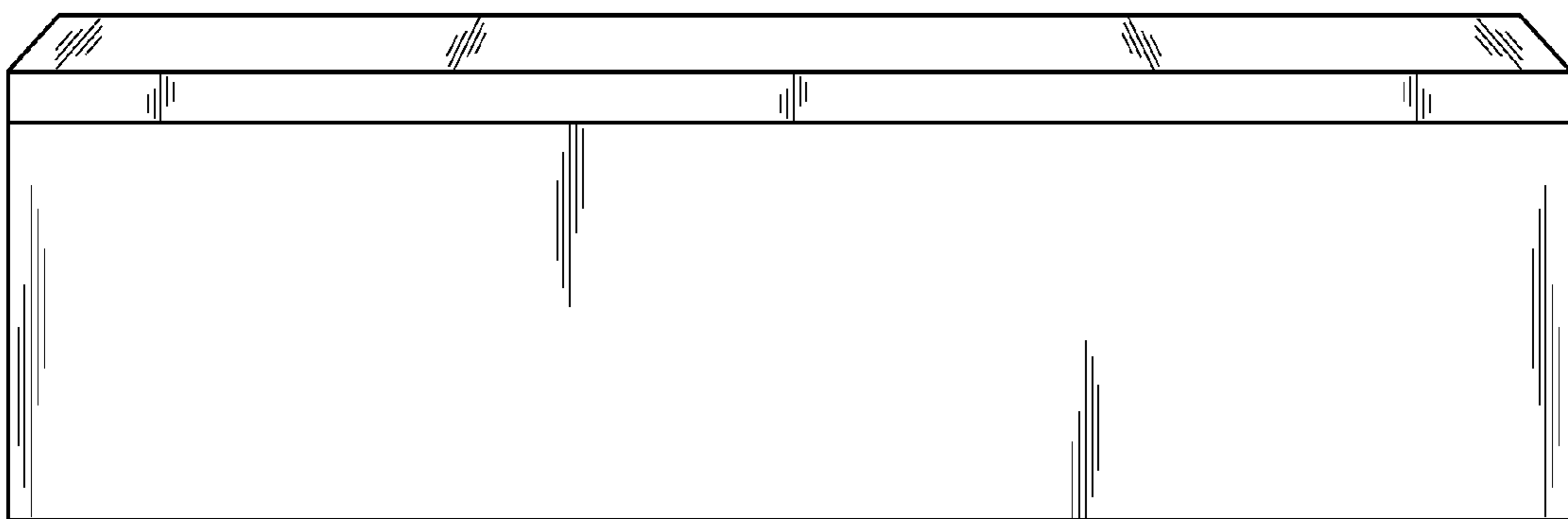


Fig. 7

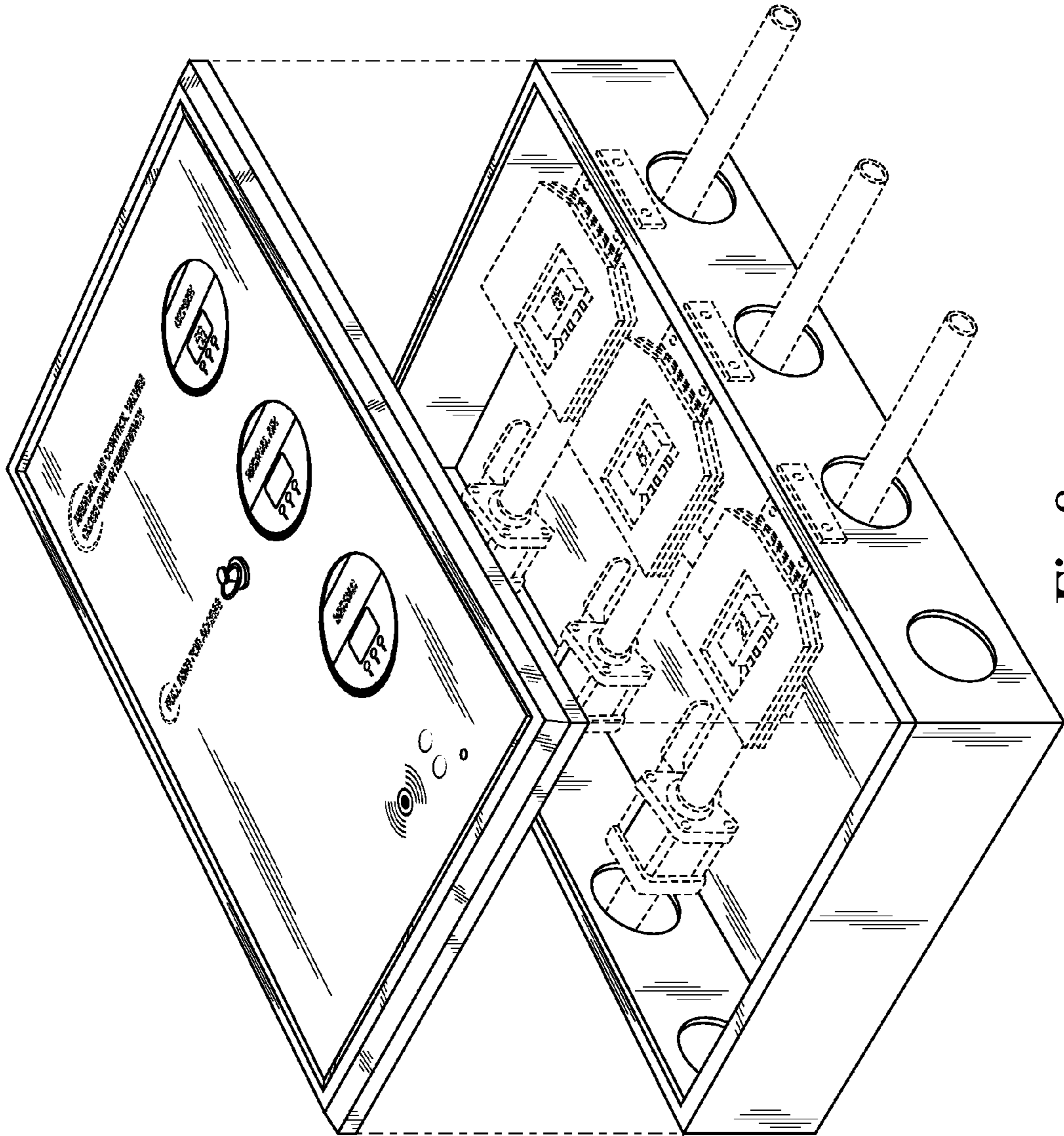


Fig.8