



US00D629494S

(12) **United States Design Patent**
Sato

(10) **Patent No.:** **US D629,494 S**

(45) **Date of Patent:** **** Dec. 21, 2010**

(54) **BOOSTER REGULATOR**

(75) Inventor: **Katsutoshi Sato**, Tsukubamirai (JP)

(73) Assignee: **SMC Corporation**, Chiyoda-ku, Tokyo (JP)

(**) Term: **14 Years**

(21) Appl. No.: **29/361,371**

(22) Filed: **May 10, 2010**

(30) **Foreign Application Priority Data**

Jan. 19, 2010 (JP) 2010-001094

(51) **LOC (9) Cl.** **23-01**

(52) **U.S. Cl.** **D23/235**

(58) **Field of Classification Search** D23/233-237,
D23/231, 244-249; D15/7-9, 138; 901/16,
901/17, 22; 248/645; 417/415-416, 405,
417/339, 321, 360, 265

See application file for complete search history.

(56) **References Cited**

U.S. PATENT DOCUMENTS

2,257,171 A * 9/1941 King 137/489.5
D308,207 S * 5/1990 Burke D15/7
D520,025 S * 5/2006 Chu D15/9
D572,272 S * 7/2008 Igarashi et al. D15/7

* cited by examiner

Primary Examiner—Cathron C. Brooks

Assistant Examiner—Maurice Stevens

(74) *Attorney, Agent, or Firm*—Yokoi & Co., U.S.A., Inc.;
Toshiyuki Yokoi

(57) **CLAIM**

The ornamental design for a booster regulator, as shown and described.

DESCRIPTION

FIG. 1 shows a front view of a booster regulator showing my new design;

FIG. 2 shows a rear view thereof;

FIG. 3 shows a right side view thereof;

FIG. 4 shows a left side view thereof;

FIG. 5 shows a top view thereof;

FIG. 6 shows a bottom view thereof;

FIG. 7 shows a bottom, front and right side perspective view thereof;

FIG. 8 shows a top, rear and left side perspective view thereof; and,

FIG. 9 shows the booster regulator and a tank with pressure gauges.

The portions of the design shown in broken lines in FIG. 9 are for the purpose of illustrating the environment only and form no part of the claimed design.

1 Claim, 5 Drawing Sheets

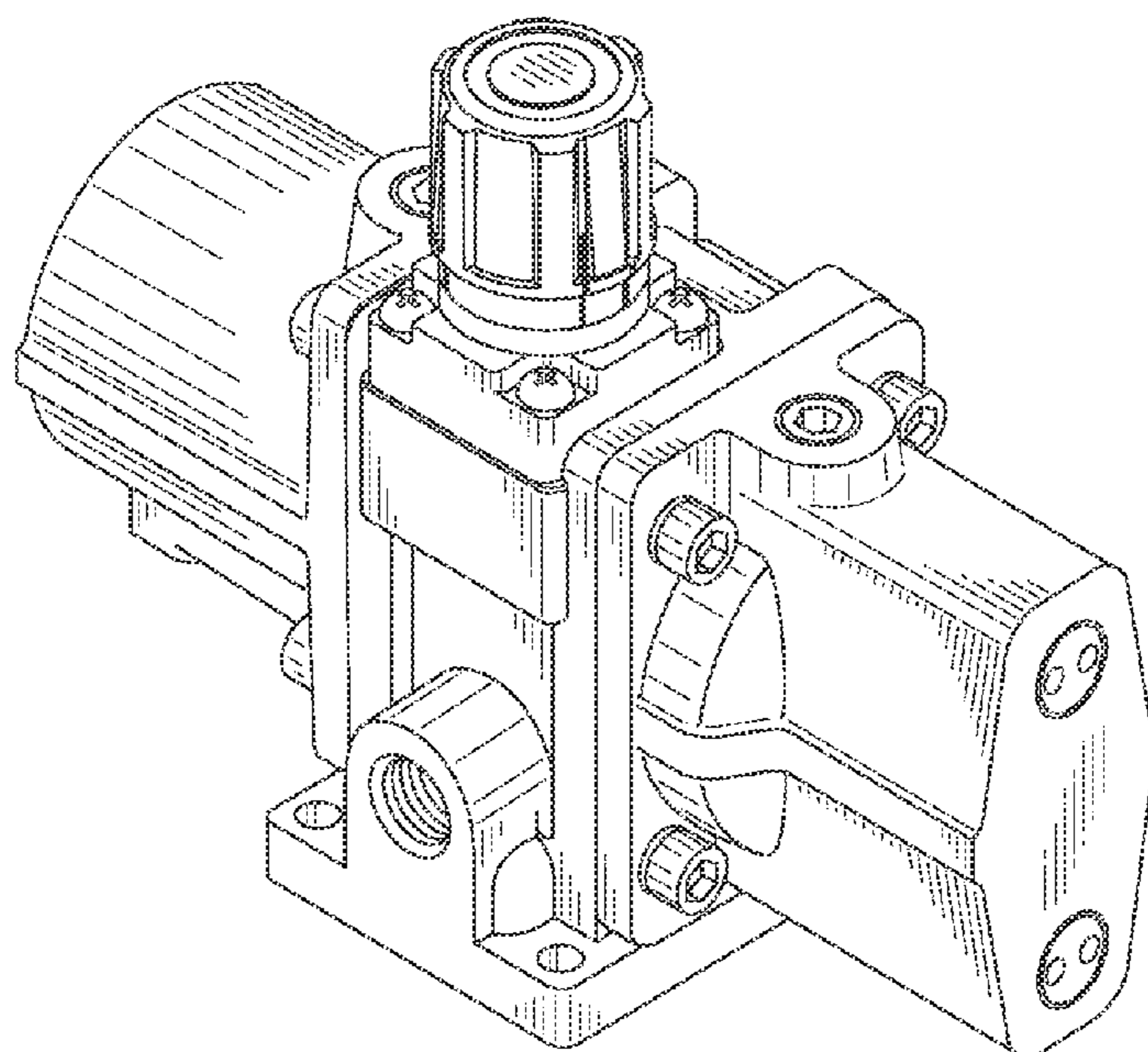


FIG. 1

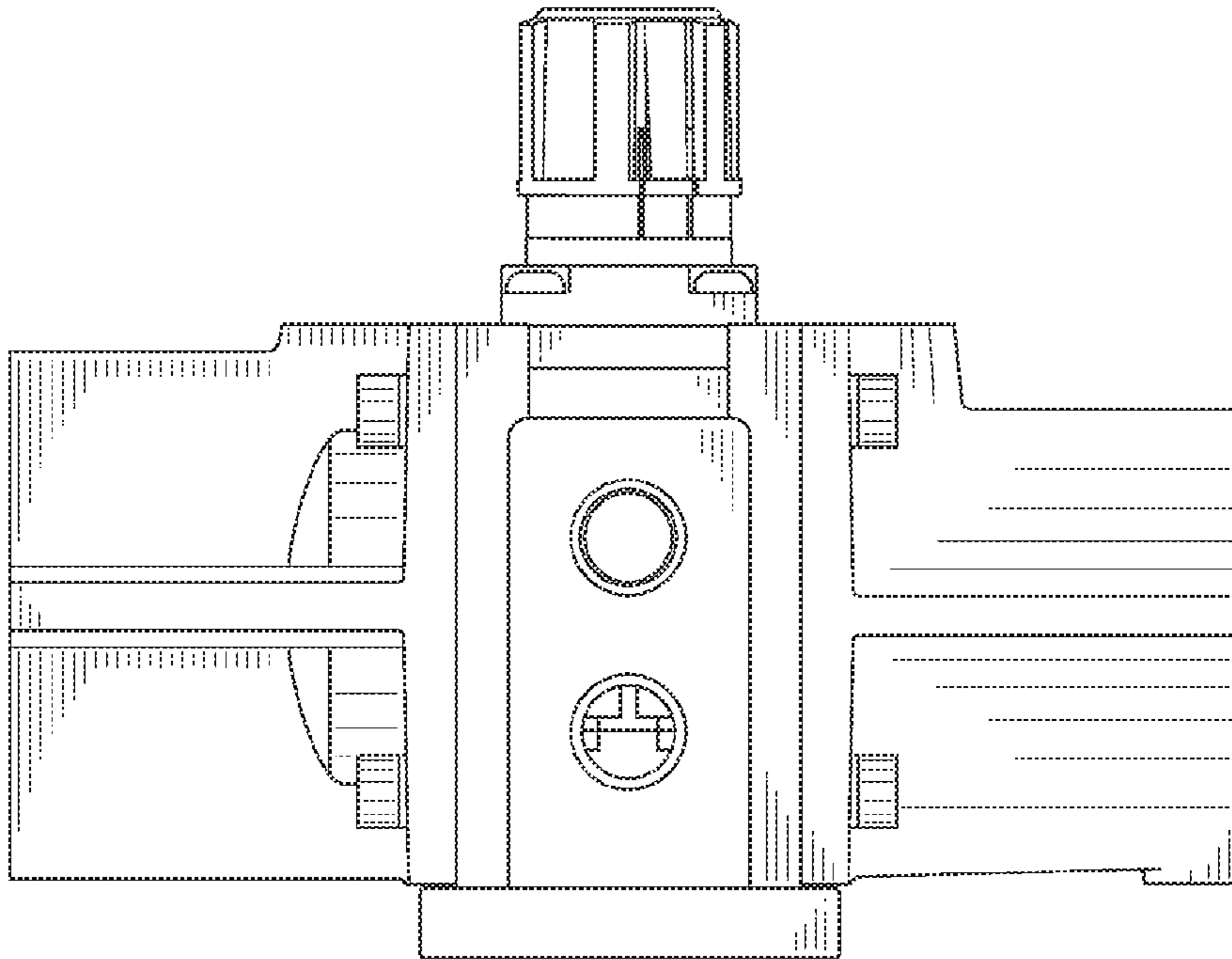


FIG. 2

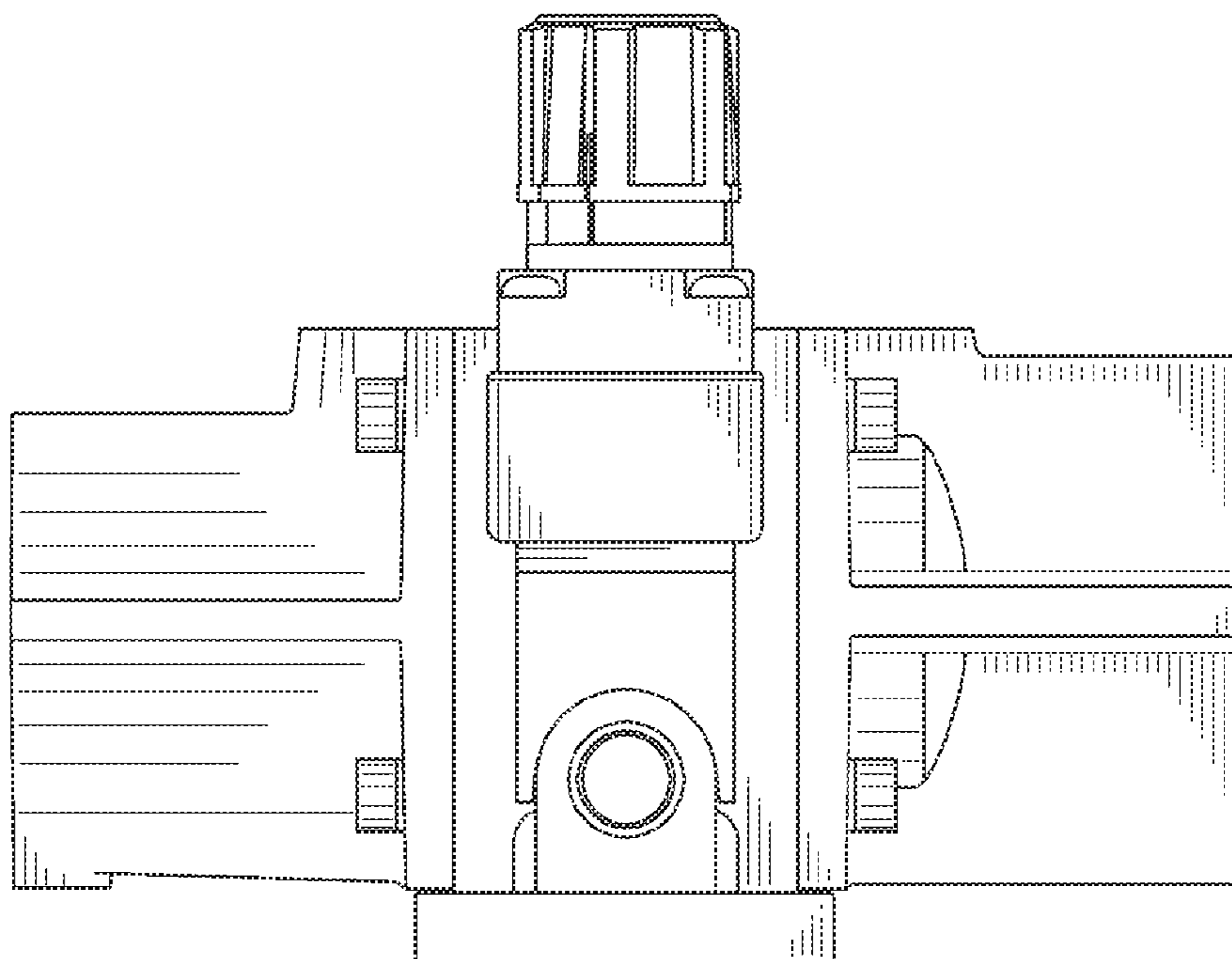


FIG. 3

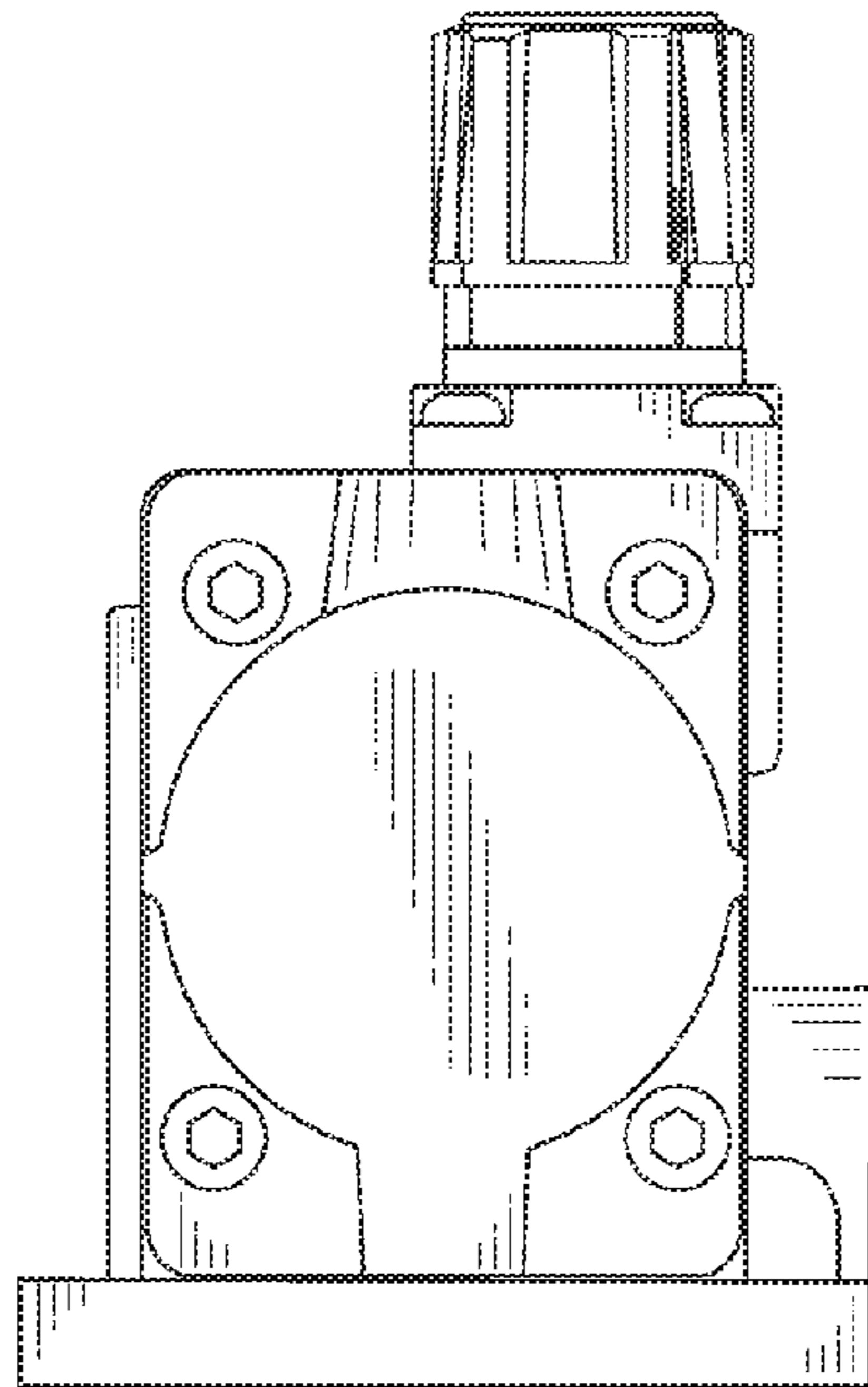


FIG. 4

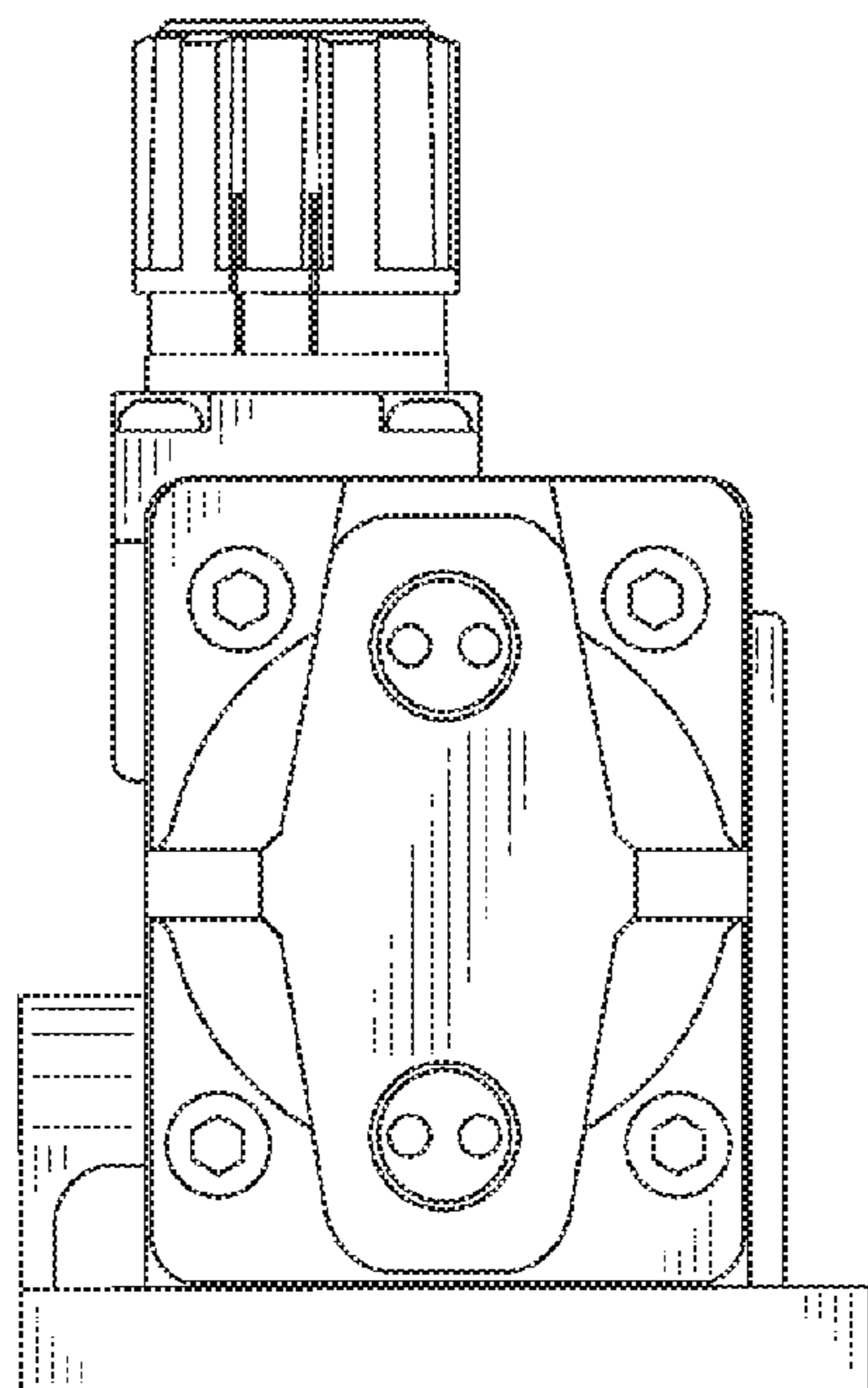


FIG. 5

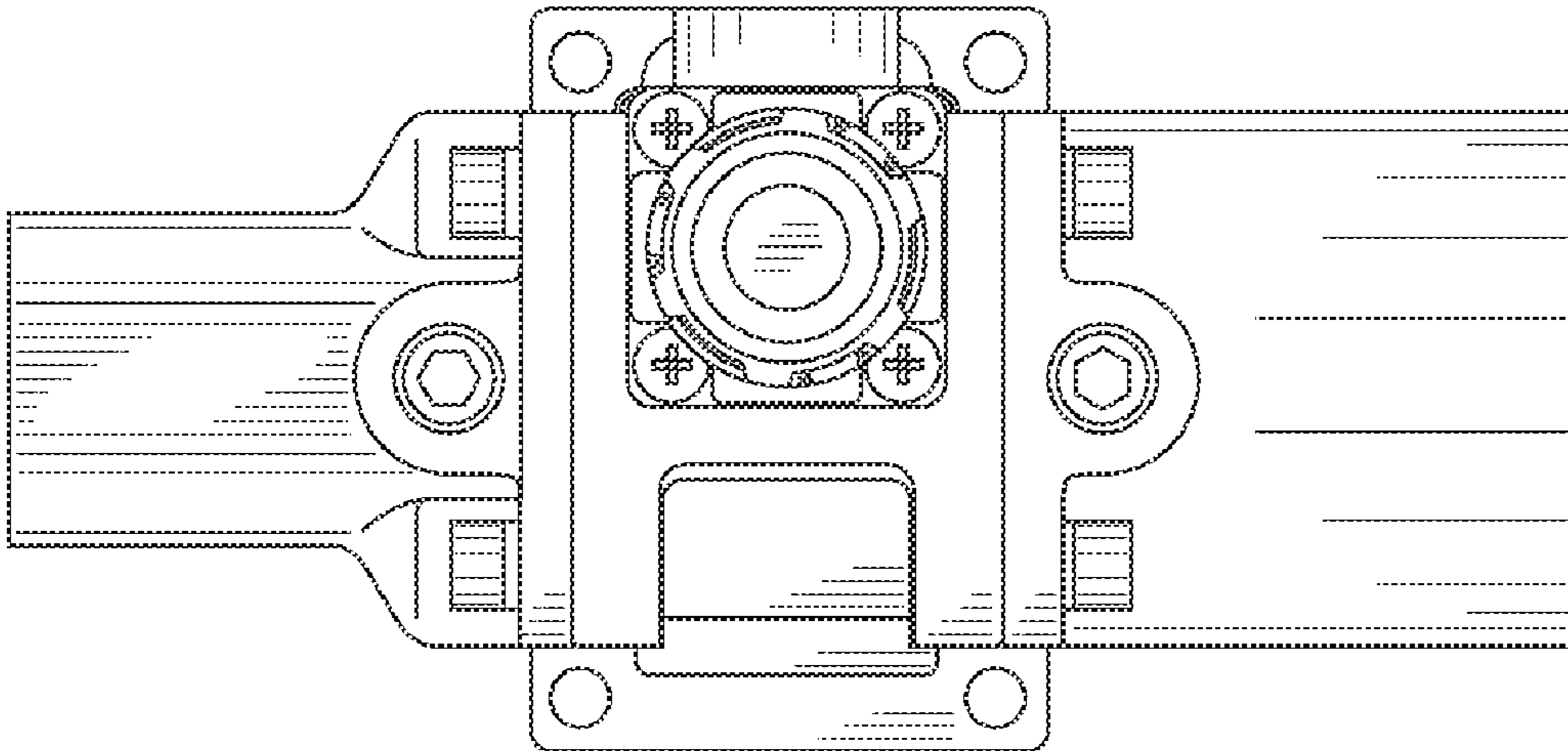


FIG. 6

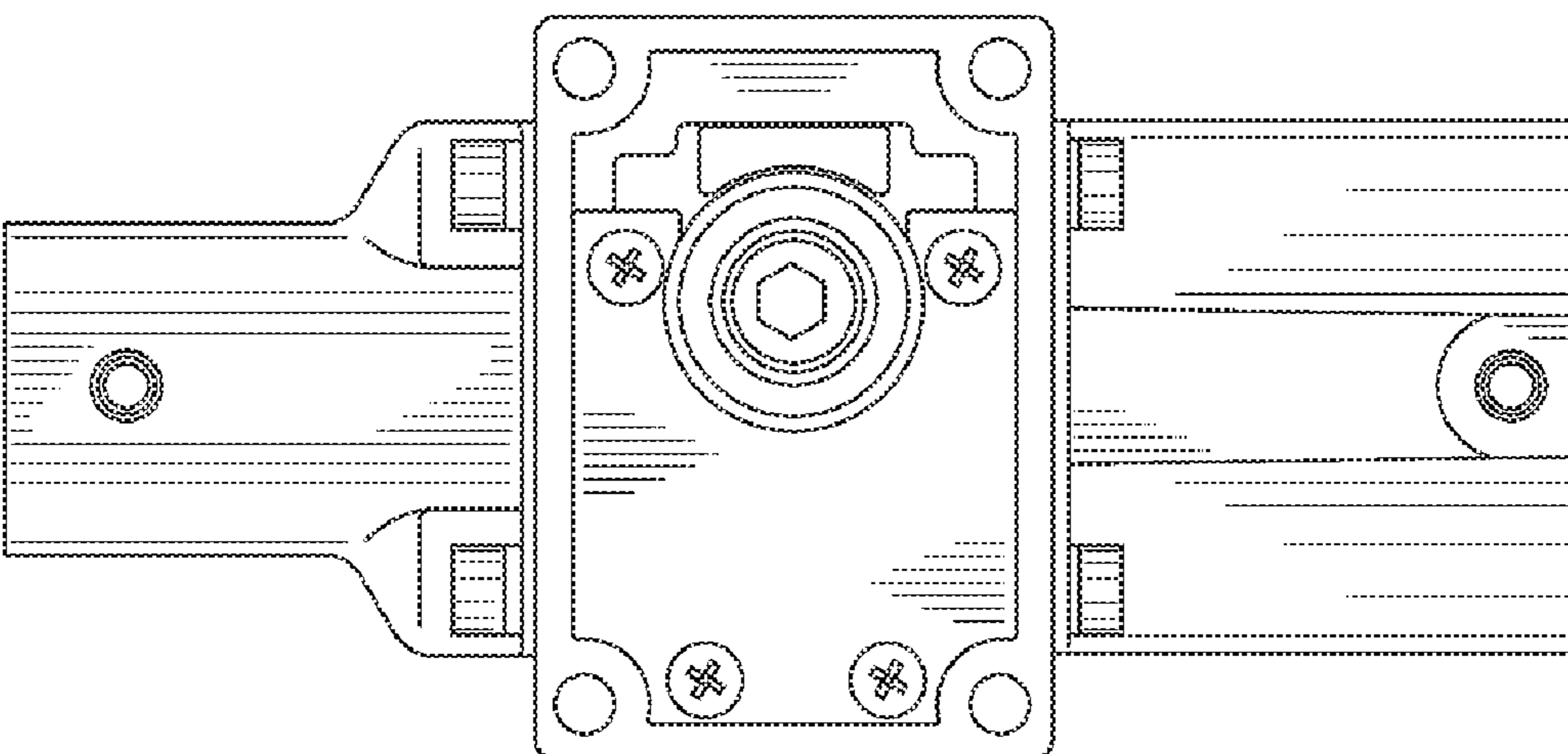


FIG. 7

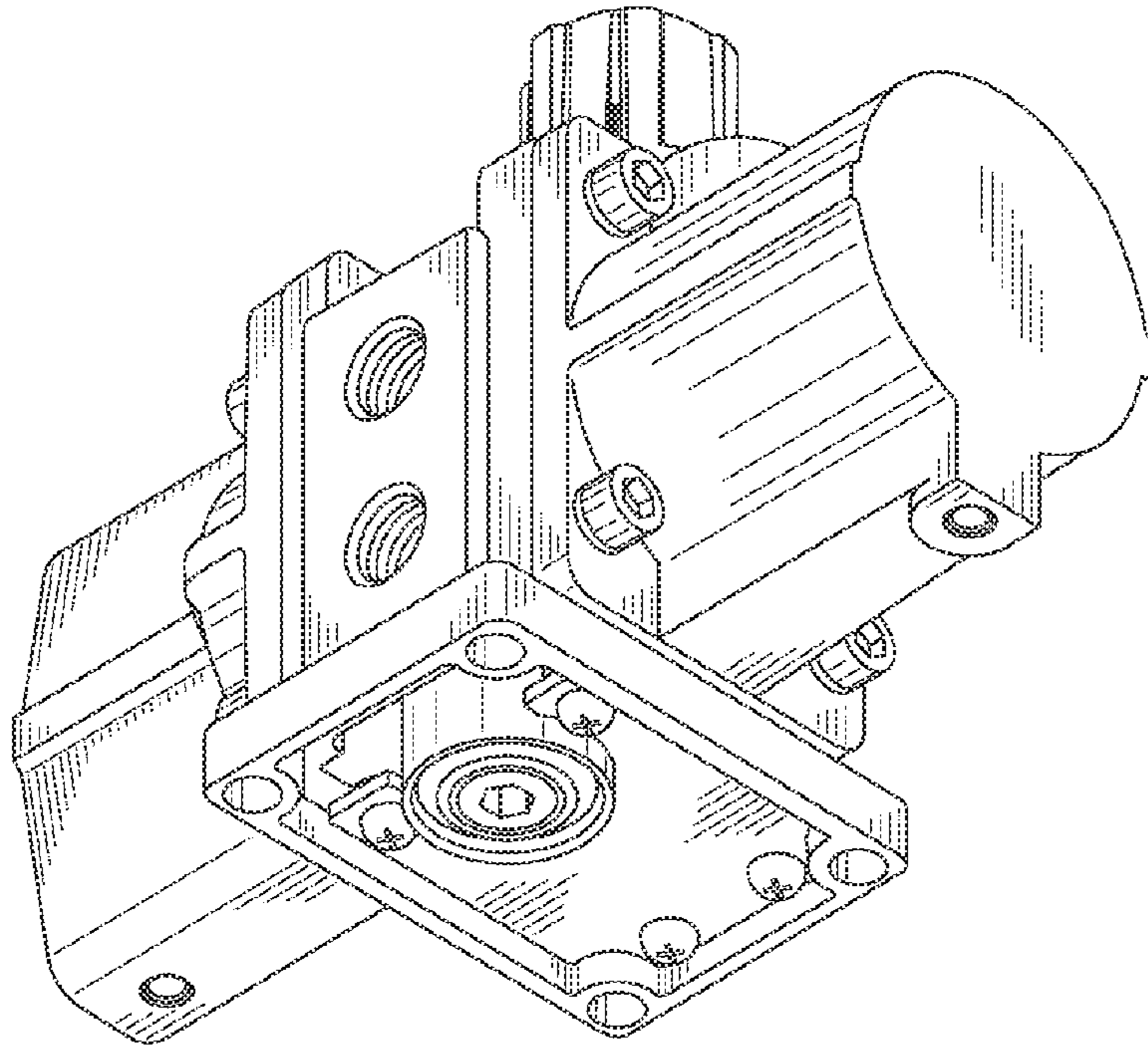


FIG. 8

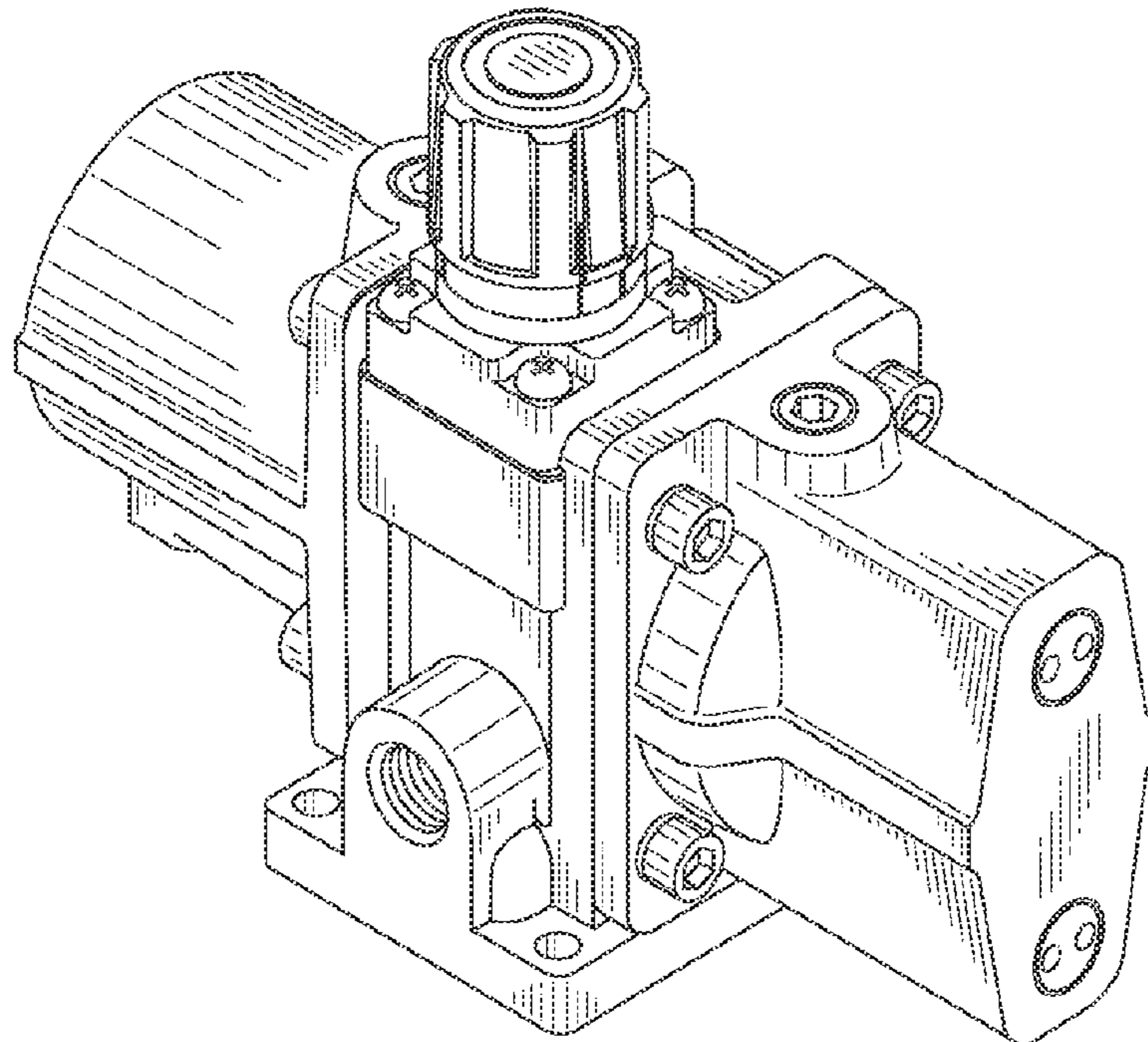


FIG. 9

