



US00D629493S

(12) **United States Design Patent**  
**Dane et al.**

(10) **Patent No.:** **US D629,493 S**  
(45) **Date of Patent:** **\*\* Dec. 21, 2010**

(54) **THROAT FOR FLOATING FOUNTAINS AND DISPLAY AERATORS**

7,427,036 B2 \* 9/2008 Skluzacek et al. .... 239/18  
D620,561 S \* 7/2010 Tracy et al. .... D23/249  
7,775,457 B2 \* 8/2010 Schnuckle .... 239/12

(75) Inventors: **Willis Dane**, Peru, IL (US); **Frederick Fess, II**, Utica, IL (US); **Steve Theisinger**, LaSalle, IL (US); **Curt Spayer**, Utica, IL (US)

\* cited by examiner

*Primary Examiner*—Cathron C. Brooks  
*Assistant Examiner*—Maurice Stevens

(73) Assignee: **Aqua Control, Inc.**, Spring Valley, IL (US)

(74) *Attorney, Agent, or Firm*—Knechtel, Demeur & Samlan

(\*\*) Term: **14 Years**

(57) **CLAIM**

(21) Appl. No.: **29/315,339**

We claim the ornamental design for a “throat for floating fountains and display aerators,” as shown and described.

(22) Filed: **Jun. 16, 2009**

**DESCRIPTION**

(51) **LOC (9) Cl.** ..... **23-01**

FIG. 1 is a perspective view of the throat showing the new design;

(52) **U.S. Cl.** ..... **D23/233**

FIG. 2 is a top side elevational view thereof;

(58) **Field of Classification Search** ..... D23/213,  
D23/233, 242, 249, 254–258; 239/16–18,  
239/22–23; 428/64.1, 66.6, 34.1, 36.9

FIG. 3 is a front side elevational view thereof;

See application file for complete search history.

FIG. 4 is a left side elevational view thereof;

The right side elevational view is a mirror image of the left side elevational view.

(56) **References Cited**

FIG. 5 is a rear side elevational view thereof; and,

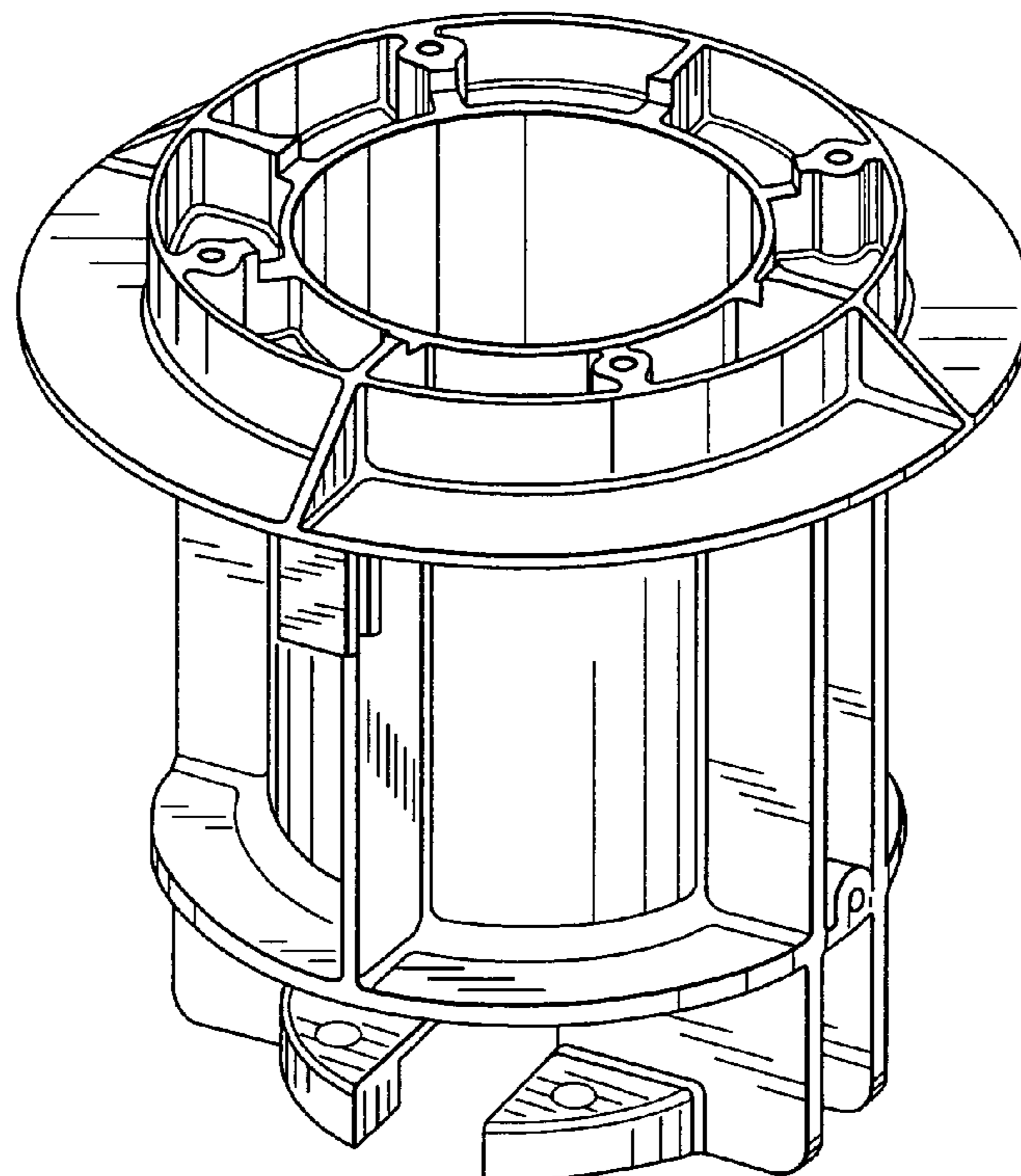
**U.S. PATENT DOCUMENTS**

FIG. 6 is a bottom side elevational view thereof.

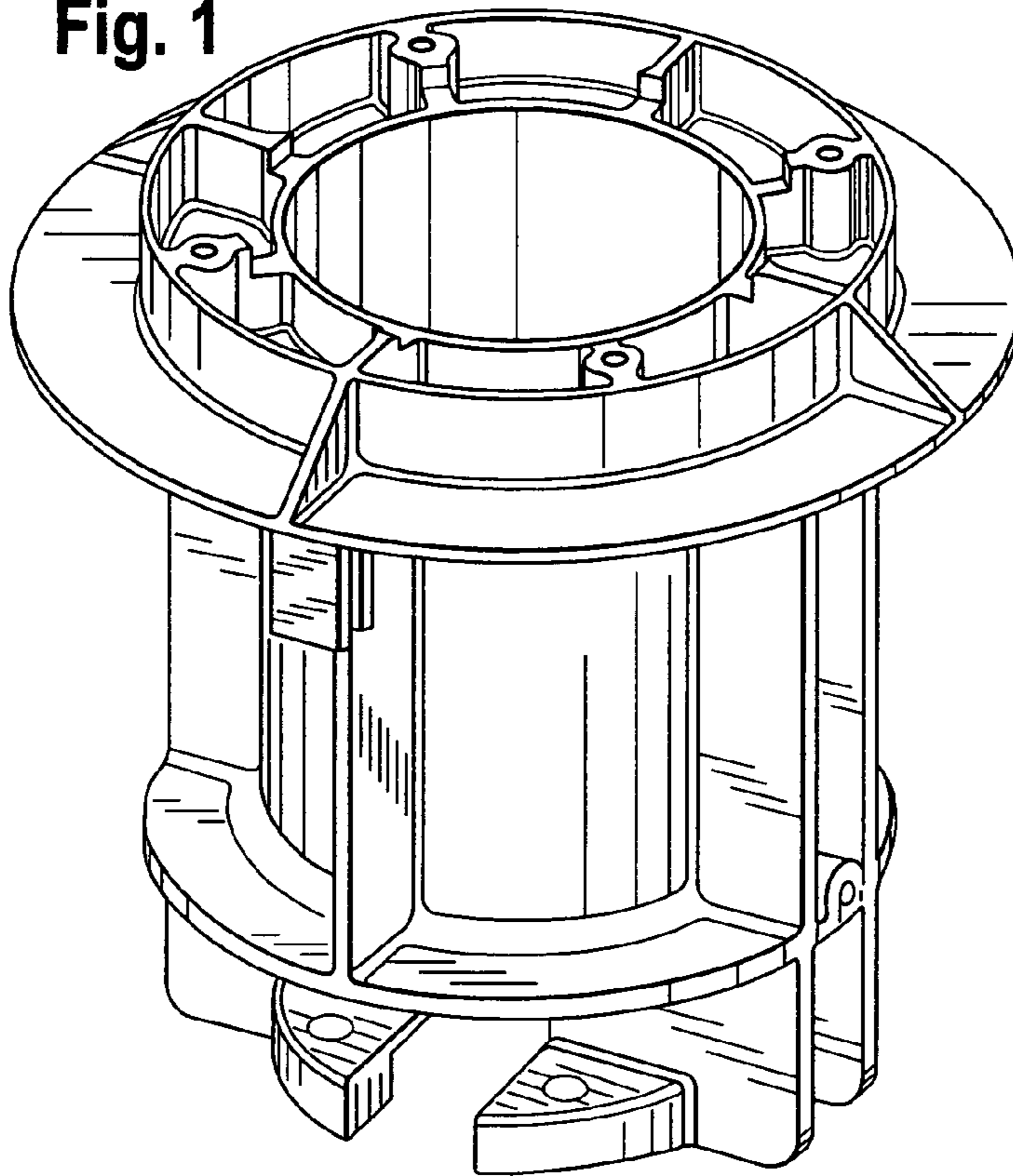
3,889,880	A *	6/1975	Hruby, Jr.	.....	239/18
4,416,420	A *	11/1983	Thompson	.....	239/22
6,224,041	B1 *	5/2001	Rebori et al.	.....	261/30
6,565,940	B1 *	5/2003	Lin	.....	428/64.1
6,695,222	B1 *	2/2004	Lin	.....	239/17

The broken line showing of unclaimed portions of the throat form no part of the claimed design.

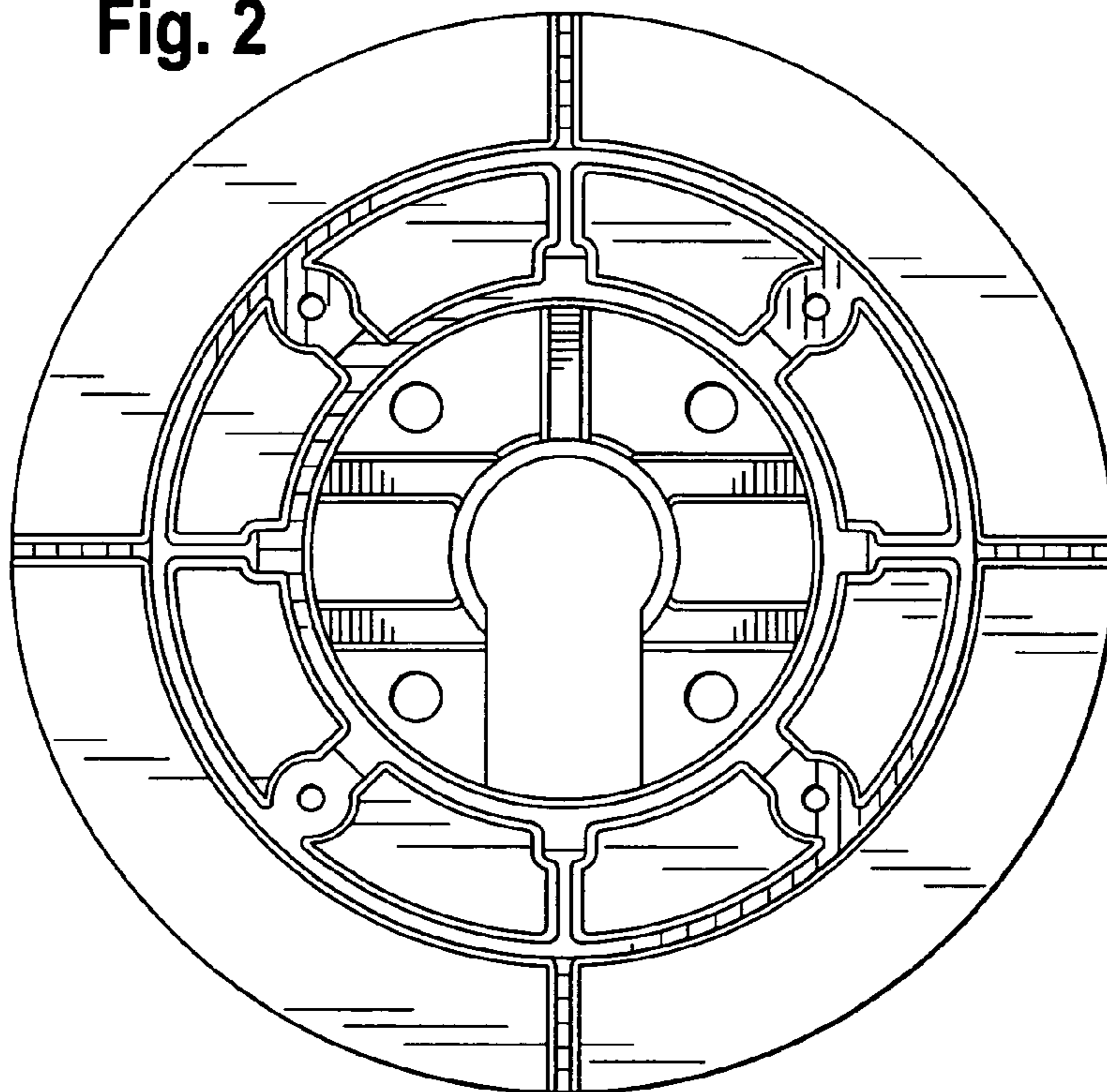
**1 Claim, 3 Drawing Sheets**



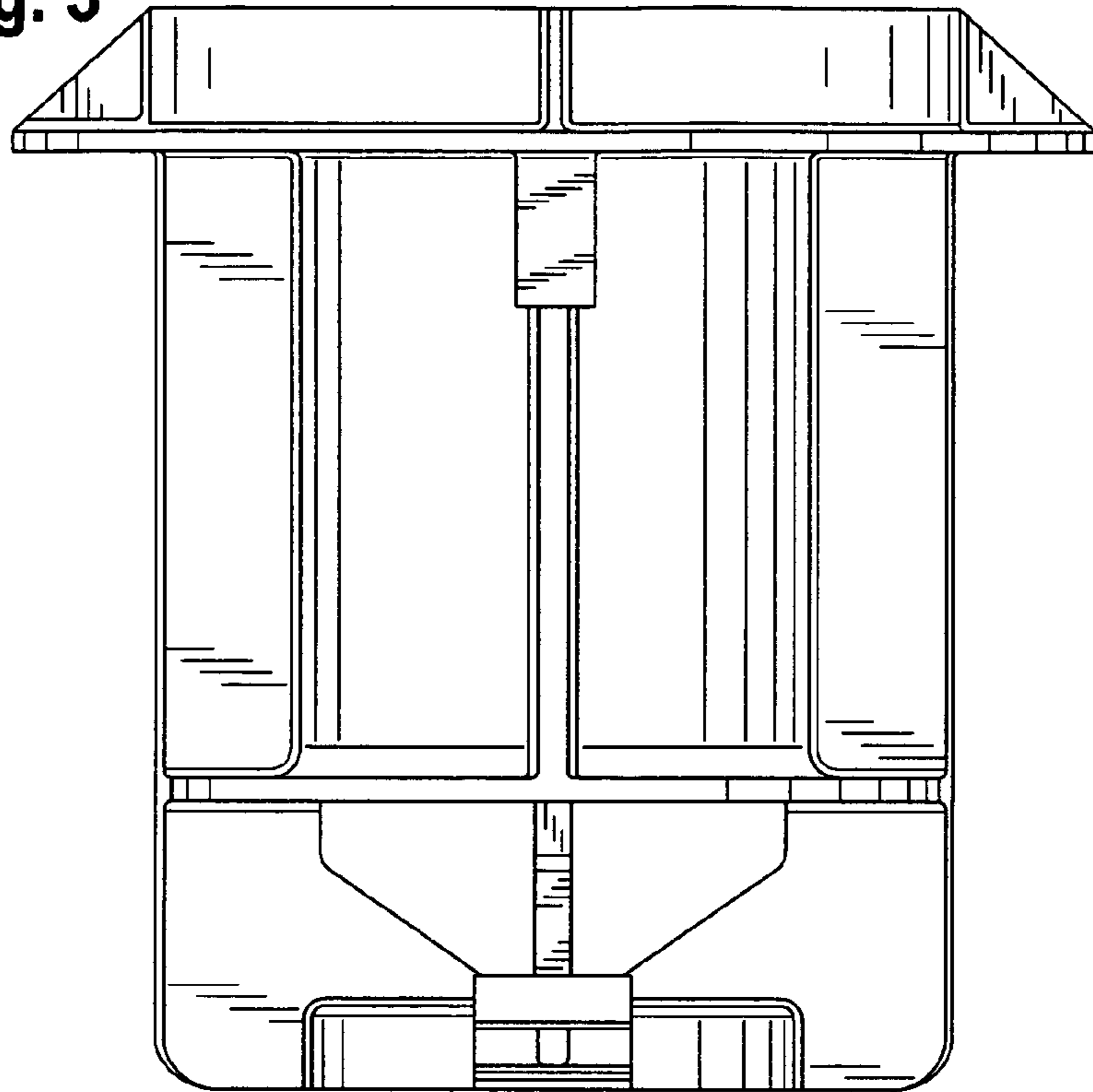
**Fig. 1**



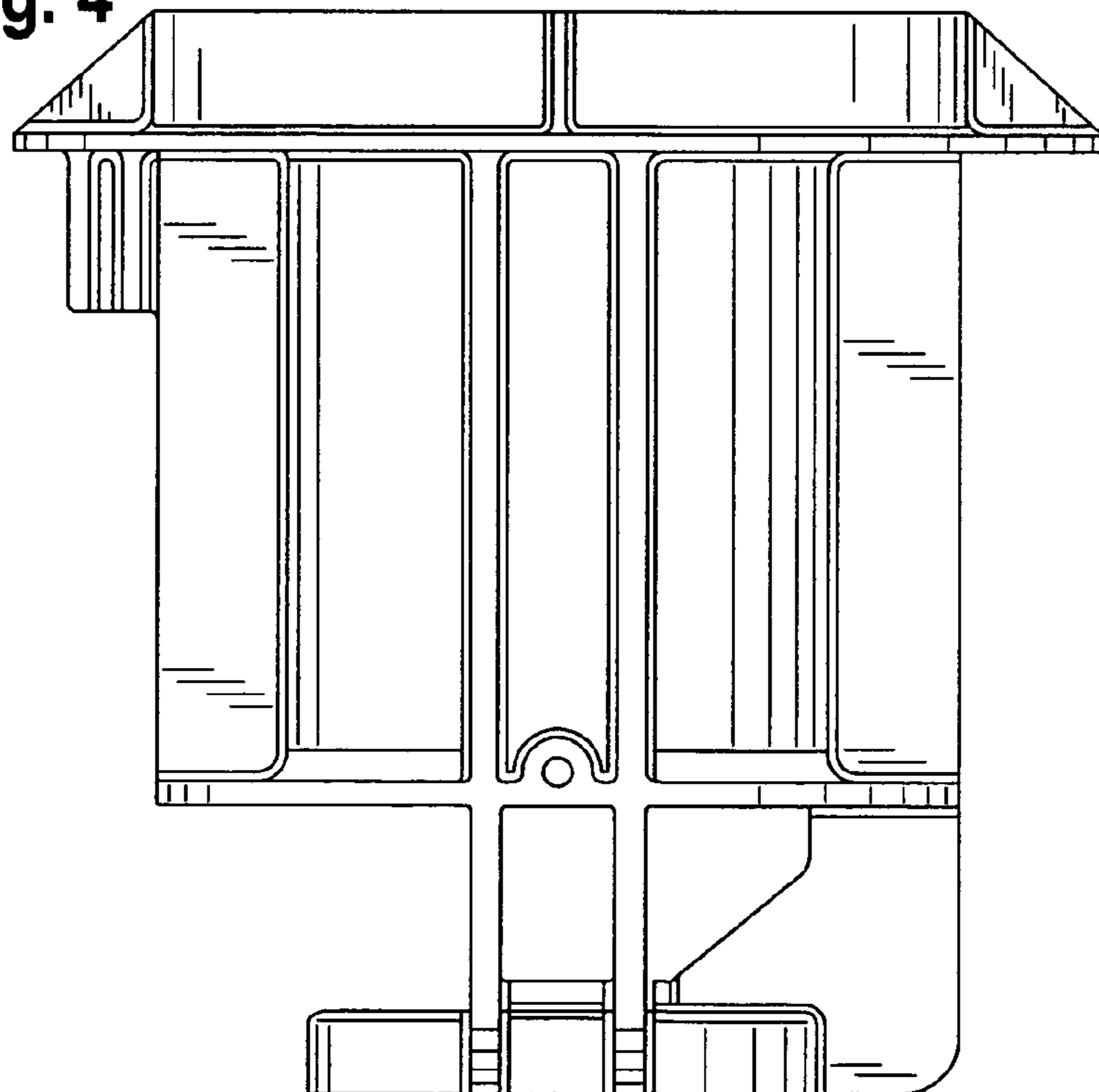
**Fig. 2**



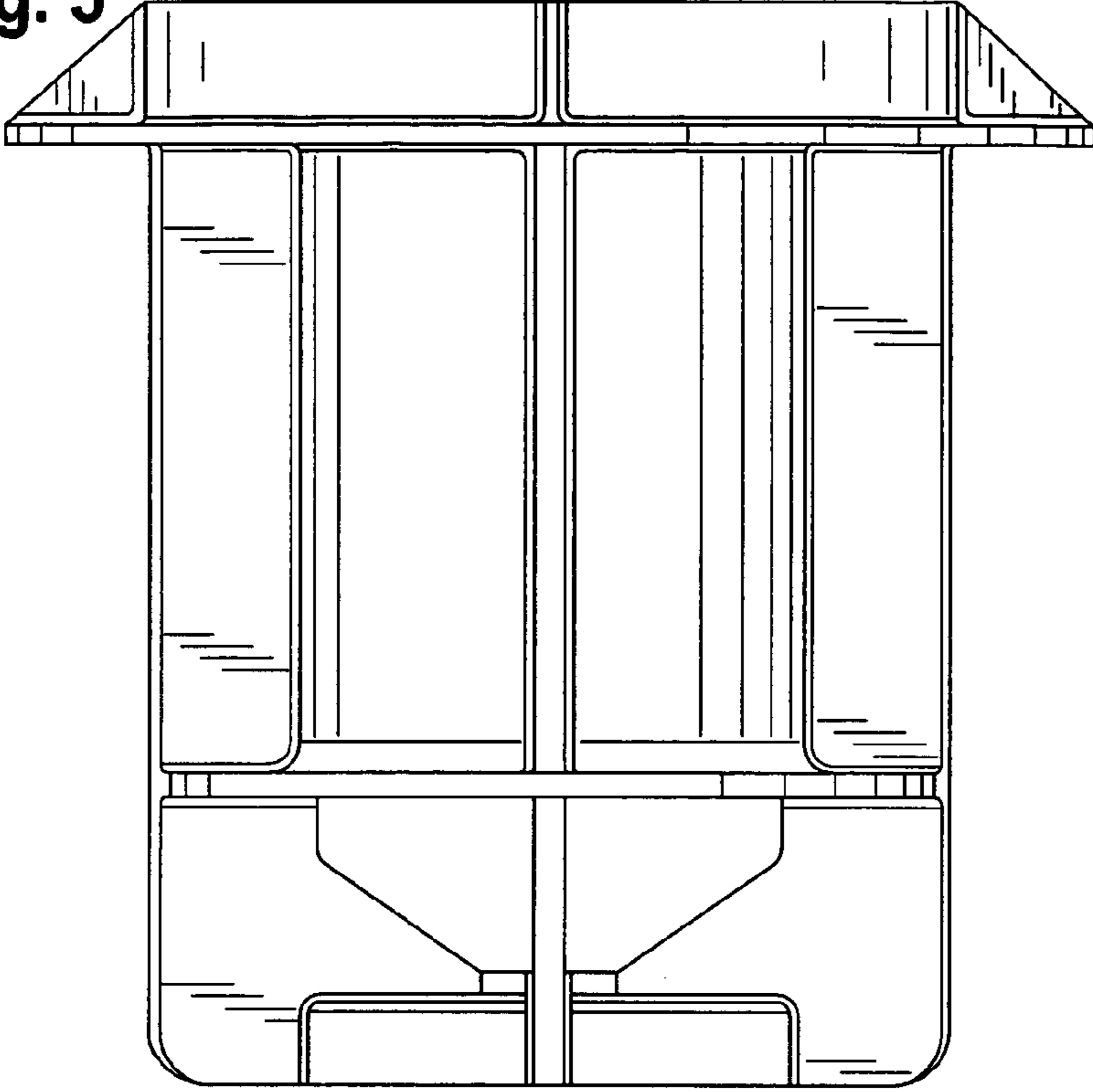
**Fig. 3**



**Fig. 4**



**Fig. 5**



**Fig. 6**

