



US00D629492S

(12) **United States Design Patent**  
**Cane et al.**

(10) **Patent No.:** **US D629,492 S**

(45) **Date of Patent:** **\*\* Dec. 21, 2010**

(54) **DIP TUBE PAINT APPLICATOR DEVICE CAP**

5,071,278 A \* 12/1991 Chen ..... 401/146  
5,755,361 A \* 5/1998 Restive et al. .... 222/209  
D417,618 S \* 12/1999 Shanklin et al. .... D9/448

(75) Inventors: **Michael Roger Cane**, Riverside (GB);  
**Ruth Elizabeth Walcot**, Bury St.  
Edmunds (GB); **Nicholas Field**, Coton  
(GB); **Ahmad Bittar**, Cambridge (GB);  
**Christopher John Ord**, Cambridge  
(GB)

**OTHER PUBLICATIONS**

Copending U.S. Appl. No. 29/329,404.

\* cited by examiner

*Primary Examiner*—Robin V Webster

(74) *Attorney, Agent, or Firm*—Timothy D. Meade

(73) Assignee: **Imperial Chemical Industries Limited**,  
London (GB)

(\*\*) Term: **14 Years**

(57) **CLAIM**

(21) Appl. No.: **29/329,420**

The ornamental design of a dip tube paint applicator device cap, as shown and described.

(22) Filed: **Dec. 15, 2008**

**DESCRIPTION**

(30) **Foreign Application Priority Data**

Jun. 13, 2003 (EM) ..... 000950704-0004

FIG. 1 is a front perspective view of a dip tube paint applicator device cap;

FIG. 2 is a top plan view of FIG. 1;

FIG. 3 is a bottom plan view of FIG. 1;

FIG. 4 is a left side elevational view with the right side being a mirrored image of FIG. 1;

FIG. 5 is a rear elevational view of FIG. 1; and,

FIG. 6 is a front elevational view of FIG. 1.

The broken line showing is included for the purpose of illustrating and forms no part of the claimed design.

(51) **LOC (9) Cl.** ..... **23-01**

(52) **U.S. Cl.** ..... **D23/225; D23/266; D32/54**

(58) **Field of Classification Search** ..... D23/213,  
D23/225, 266; D32/54; 401/188 R; 118/203,  
118/259, 263

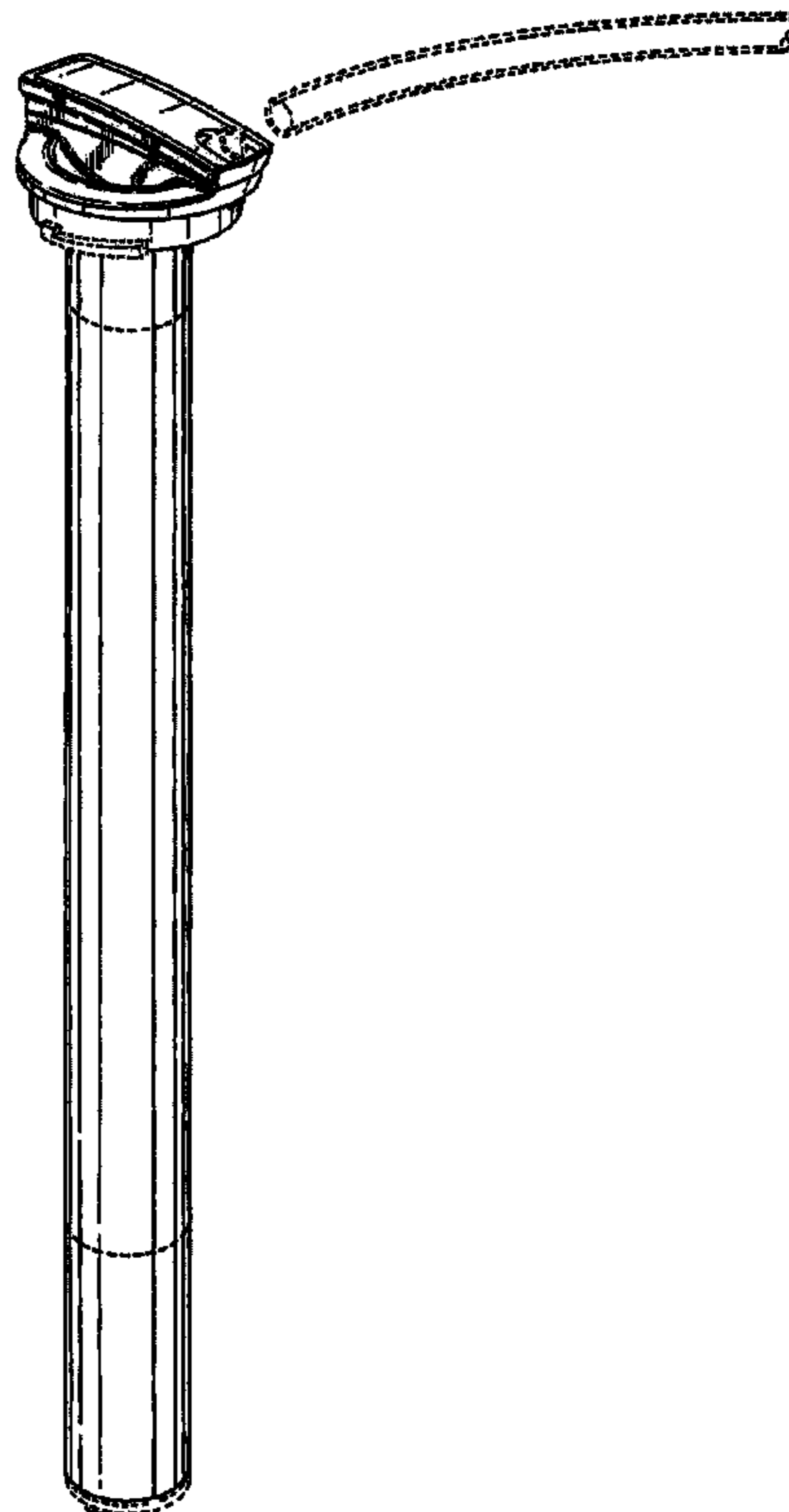
See application file for complete search history.

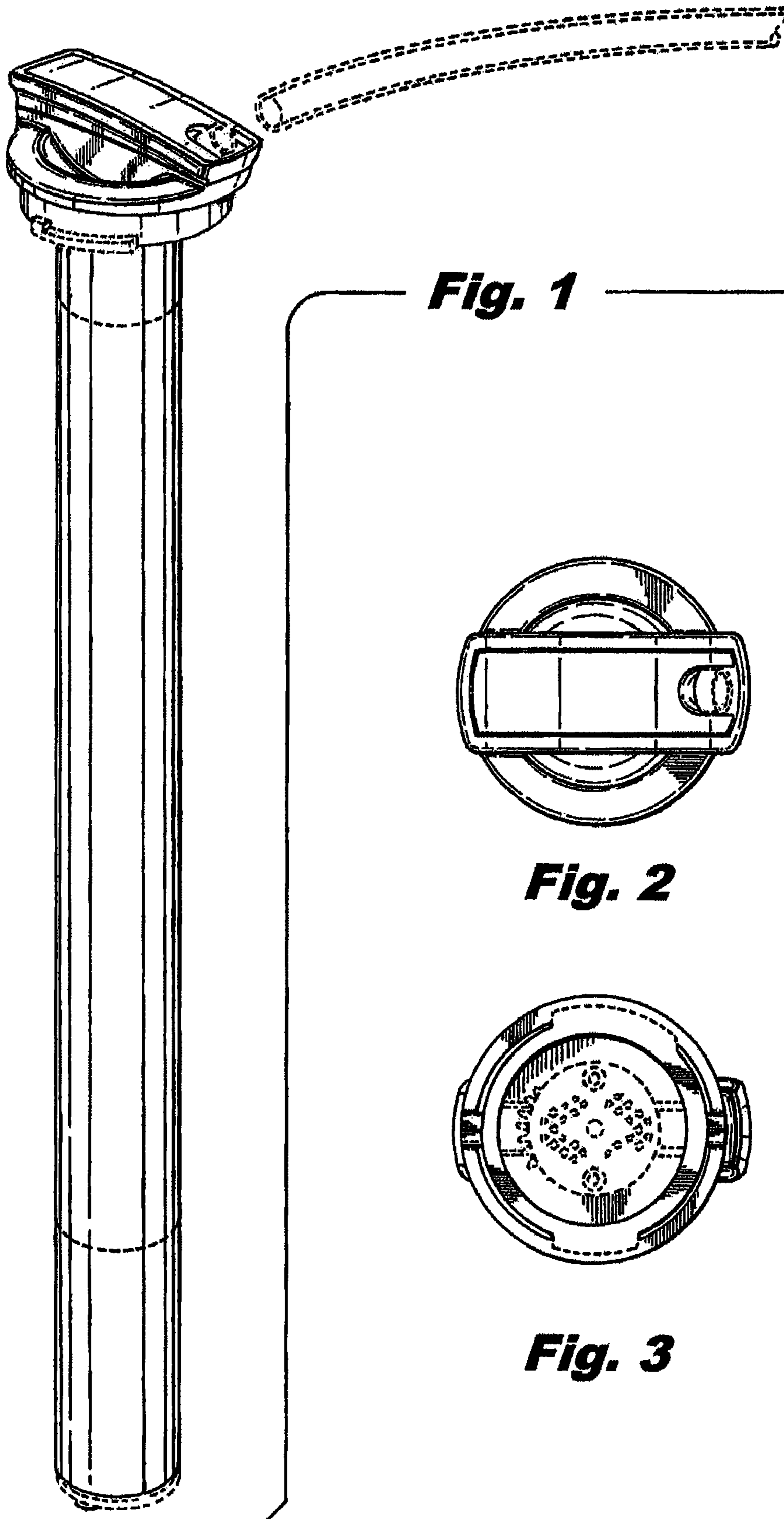
(56) **References Cited**

**U.S. PATENT DOCUMENTS**

3,776,645 A \* 12/1973 Walker ..... 401/188 R

**1 Claim, 2 Drawing Sheets**

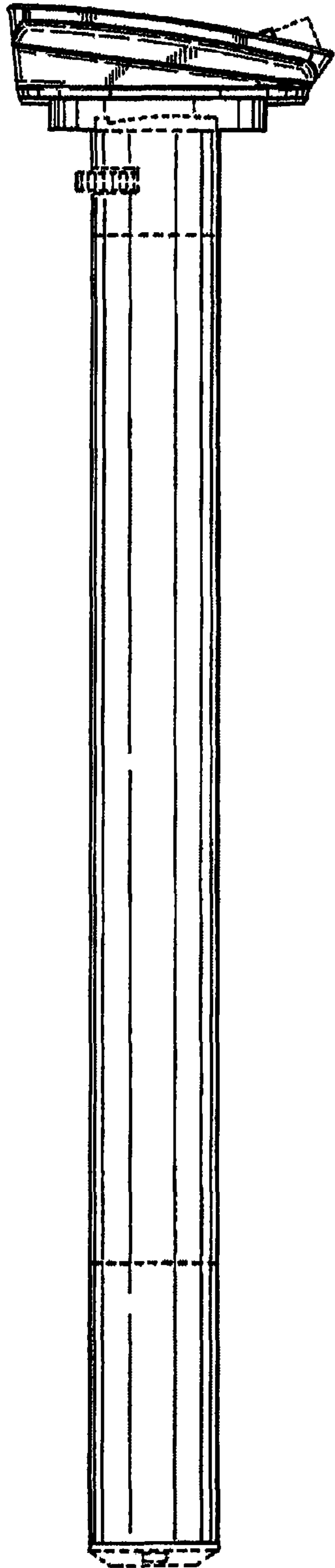




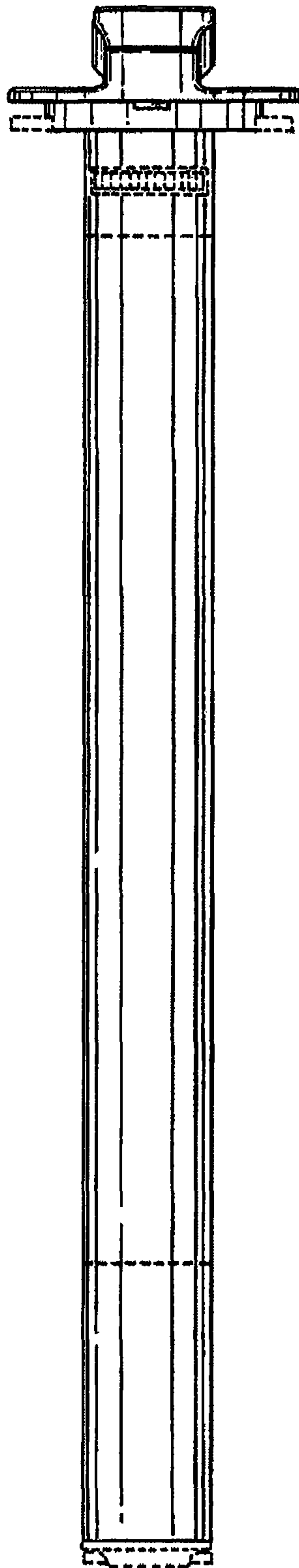
**Fig. 1**

**Fig. 2**

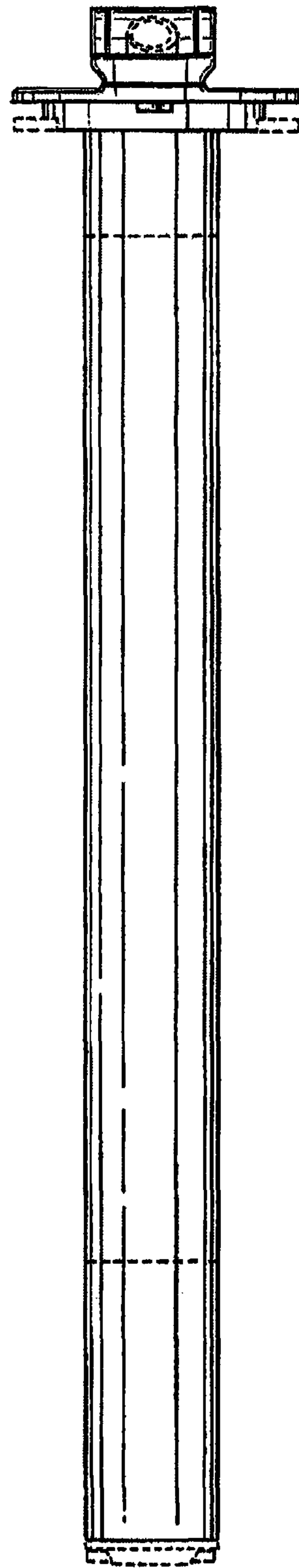
**Fig. 3**



**Fig. 4**



**Fig. 5**



**Fig. 6**