



US00D629491S

(12) **United States Design Patent**
Cane et al.

(10) **Patent No.:** **US D629,491 S**

(45) **Date of Patent:** **** Dec. 21, 2010**

(54) **DIP TUBE PAINT APPLICATOR DEVICE CAP**

5,071,278 A * 12/1991 Chen 401/146
5,755,361 A * 5/1998 Restive et al. 222/209
D417,618 S * 12/1999 Shanklin et al. D9/448

(75) Inventors: **Michael Roger Cane**, Riverside (GB);
Ruth Elizabeth Walcot, Edmunds (GB);
Nicholas Field, Coton (GB); **Ahmad**
Bittar, Cambridge (GB); **Christopher**
John Ord, Cambridge (GB)

OTHER PUBLICATIONS

Copending Patent U.S. Appl. No. 29/329,420.

* cited by examiner

Primary Examiner—Robin V Webster

(74) *Attorney, Agent, or Firm*—Timothy D. Meade

(73) Assignee: **Imperial Chemical Industries Limited**,
London (GB)

(**) Term: **14 Years**

(57) **CLAIM**

(21) Appl. No.: **29/329,404**

The ornamental design of a dip tube paint applicator device cap, as shown and described.

(22) Filed: **Dec. 15, 2008**

DESCRIPTION

(30) **Foreign Application Priority Data**

Jun. 13, 2008 (EM) 000950704-0005

FIG. 1 is a front perspective view of a dip tube paint applicator device cap;

FIG. 2 is a top plan view of FIG. 1;

FIG. 3 is a bottom plan view of FIG. 1;

FIG. 4 is a left side elevational view with the right side being a mirrored image of FIG. 1;

FIG. 5 is a rear elevational view of FIG. 1; and,

FIG. 6 is a front elevational view of FIG. 1.

The broken line showing is included for the purpose of illustrating and forms no part of the claimed design.

(51) **LOC (9) Cl.** **23-01**

(52) **U.S. Cl.** **D23/225; D23/266; D32/54**

(58) **Field of Classification Search** D23/213,
D23/225, 266; D32/54; 401/188 R; 118/203,
118/259, 263

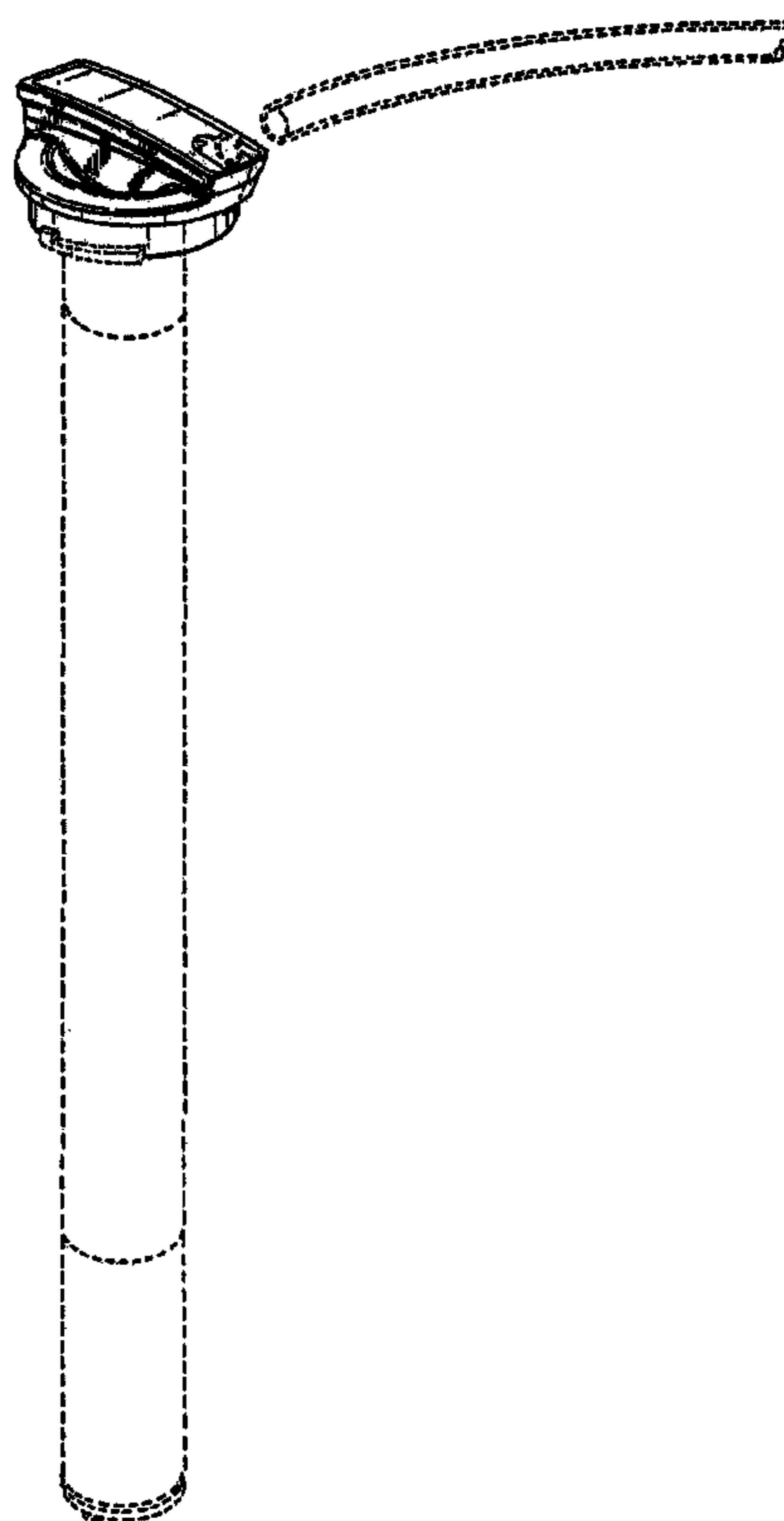
See application file for complete search history.

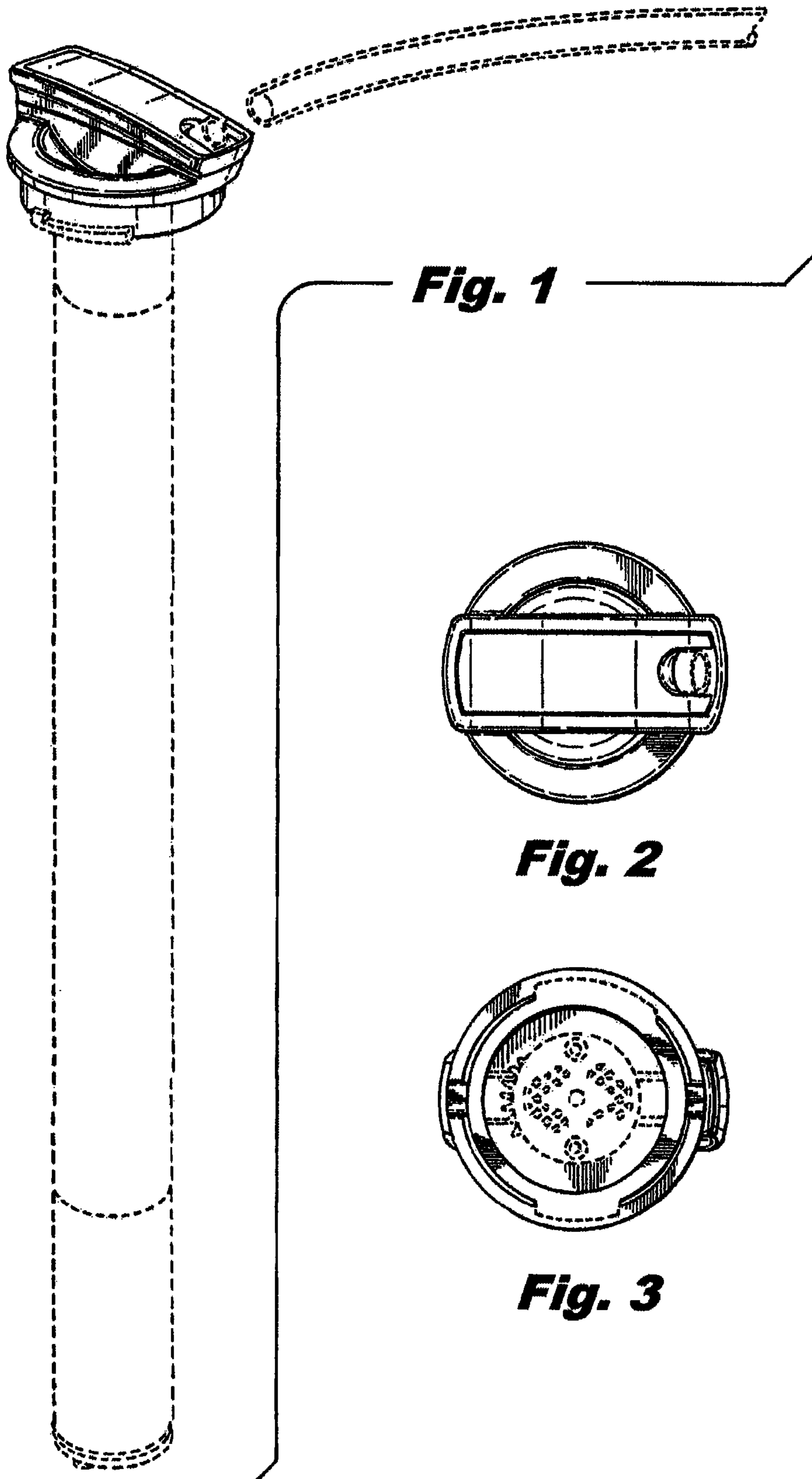
(56) **References Cited**

U.S. PATENT DOCUMENTS

3,776,645 A * 12/1973 Walker 401/188 R

1 Claim, 2 Drawing Sheets





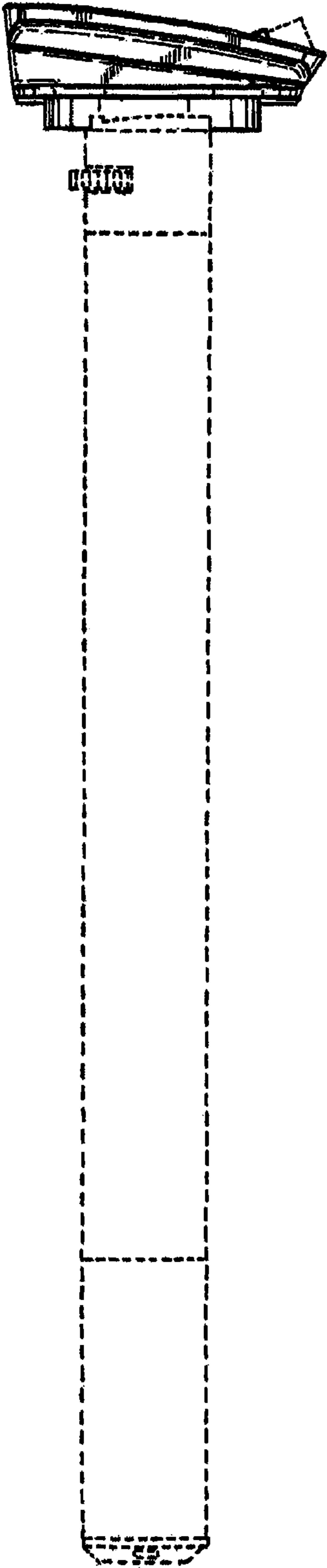


Fig. 4

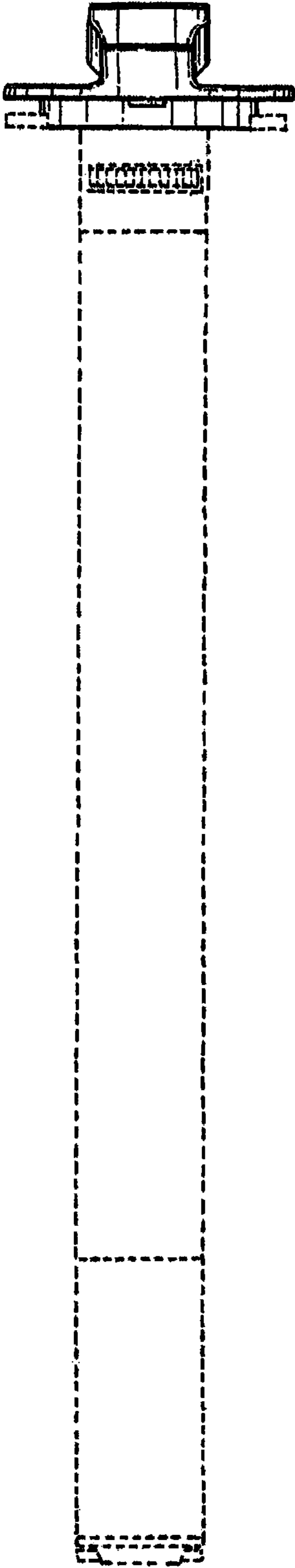


Fig. 5

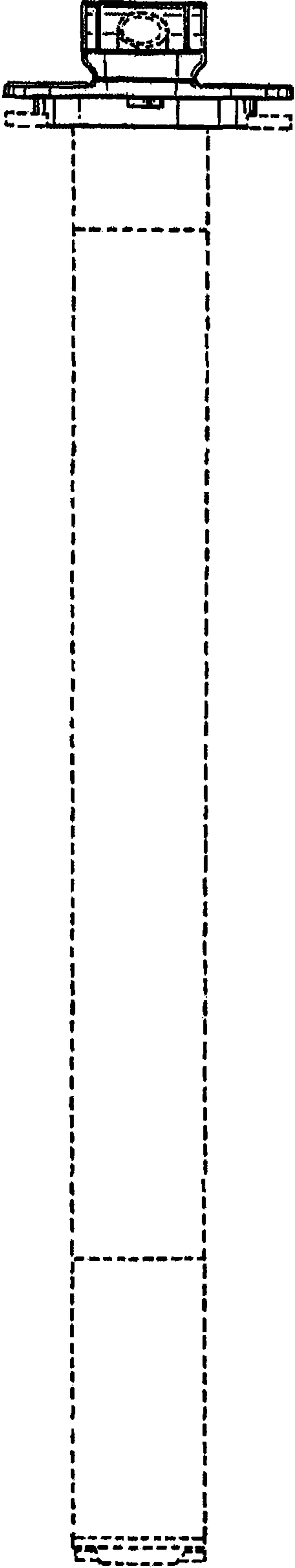


Fig. 6