



US00D629488S

(12) **United States Design Patent**
McGreevy et al.

(10) **Patent No.:** **US D629,488 S**

(45) **Date of Patent:** **** Dec. 21, 2010**

(54) **WATER FILTRATION DEVICE**

(75) Inventors: **Sean C. McGreevy**, St. Paul, MN (US);
Judd D. Olson, Deephaven, MN (US);
Benjamin P. Williams, St. Joseph, WI
(US); **Kevin E. Kinzer**, Forest Lake,
MN (US); **James M. Cooper**, St Paul,
MN (US); **Hyun Jin Ko**, Evanston, IL
(US); **Elizabeth R. Kelly**, Chicago, IL
(US); **Anastasios G. Karahalios**,
Skokie, IL (US); **Carly R. Price**,
Evanston, IL (US); **Jeremiah P.**
O’Leary, Chicago, IL (US); **Paula A.**
Marrs, Minneapolis, MN (US); **Shu**
Kun Chang, Evanston, IL (US)

(73) Assignee: **3M Innovative Properties Company**,
St. Paul, MN (US)

(**) Term: **14 Years**

(21) Appl. No.: **29/329,638**

(22) Filed: **Dec. 18, 2008**

(51) **LOC (9) Cl.** **23-01**

(52) **U.S. Cl.** **D23/209**

(58) **Field of Classification Search** D23/207,
D23/209; 141/59, 237; 210/195.2
See application file for complete search history.

(56) **References Cited**

U.S. PATENT DOCUMENTS

D312,679 S * 12/1990 Carrano et al. D23/207

D313,642 S * 1/1991 Carrano et al. D23/207
5,560,404 A * 10/1996 Blair et al. 141/98
D407,462 S * 3/1999 Bishop et al. D23/207
D444,845 S * 7/2001 Hilgers et al. D23/207
D496,984 S * 10/2004 Costa et al. D23/207

* cited by examiner

Primary Examiner—Robin V Webster

(74) *Attorney, Agent, or Firm*—David B. Patchett

(57) **CLAIM**

The ornamental design for a water filtration device, as shown and described.

DESCRIPTION

FIG. 1 is a perspective view showing the new design for a water filtration device.

FIG. 2 is a front view thereof;

FIG. 3 is a back view thereof;

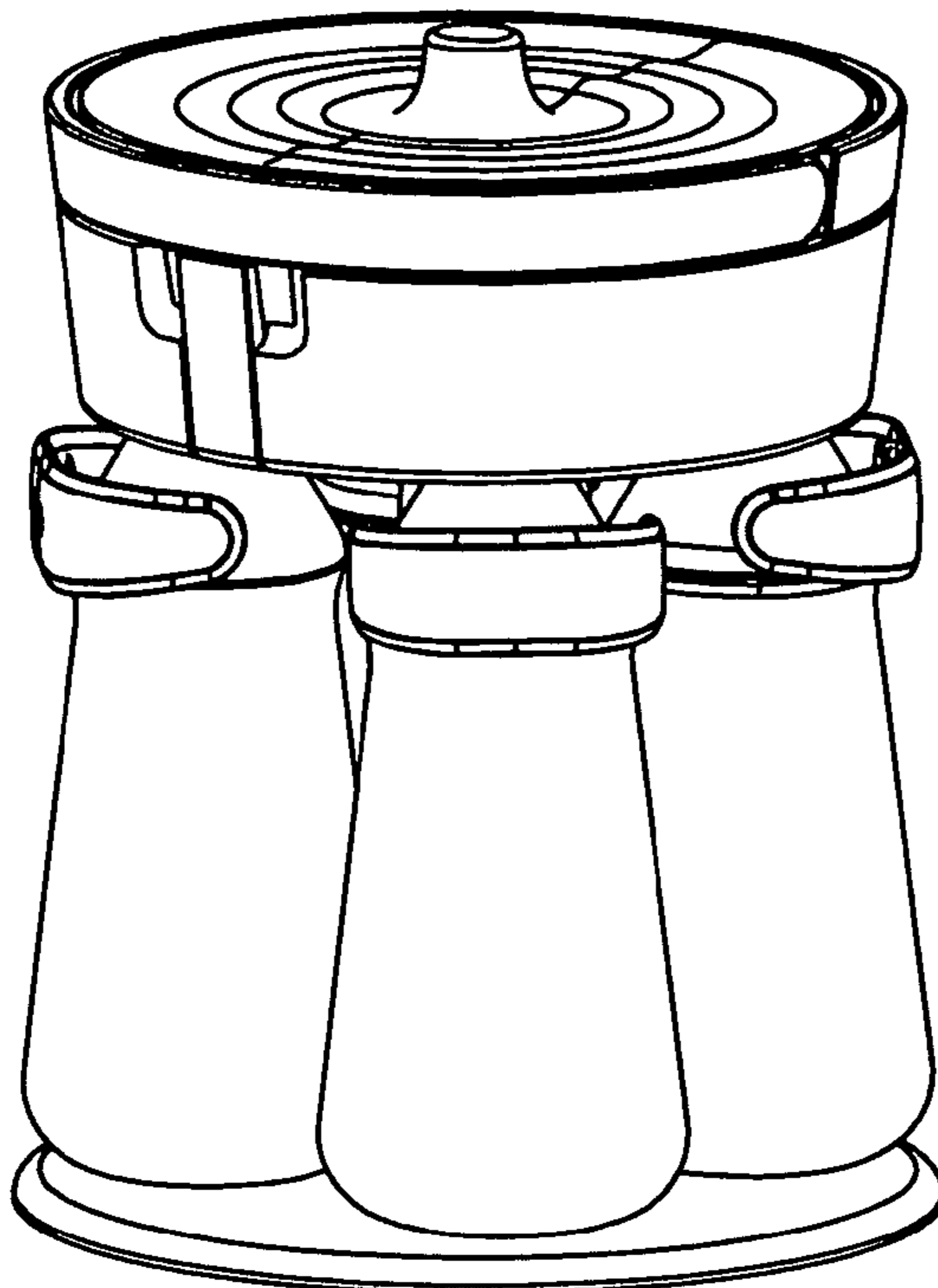
FIG. 4 is a left side view thereof, the right side view being a mirror image of the left side view shown;

FIG. 5 is a top view thereof;

FIG. 6 is a bottom view thereof; and,

FIG. 7 is a perspective view showing the design with the bottles removed.

1 Claim, 4 Drawing Sheets



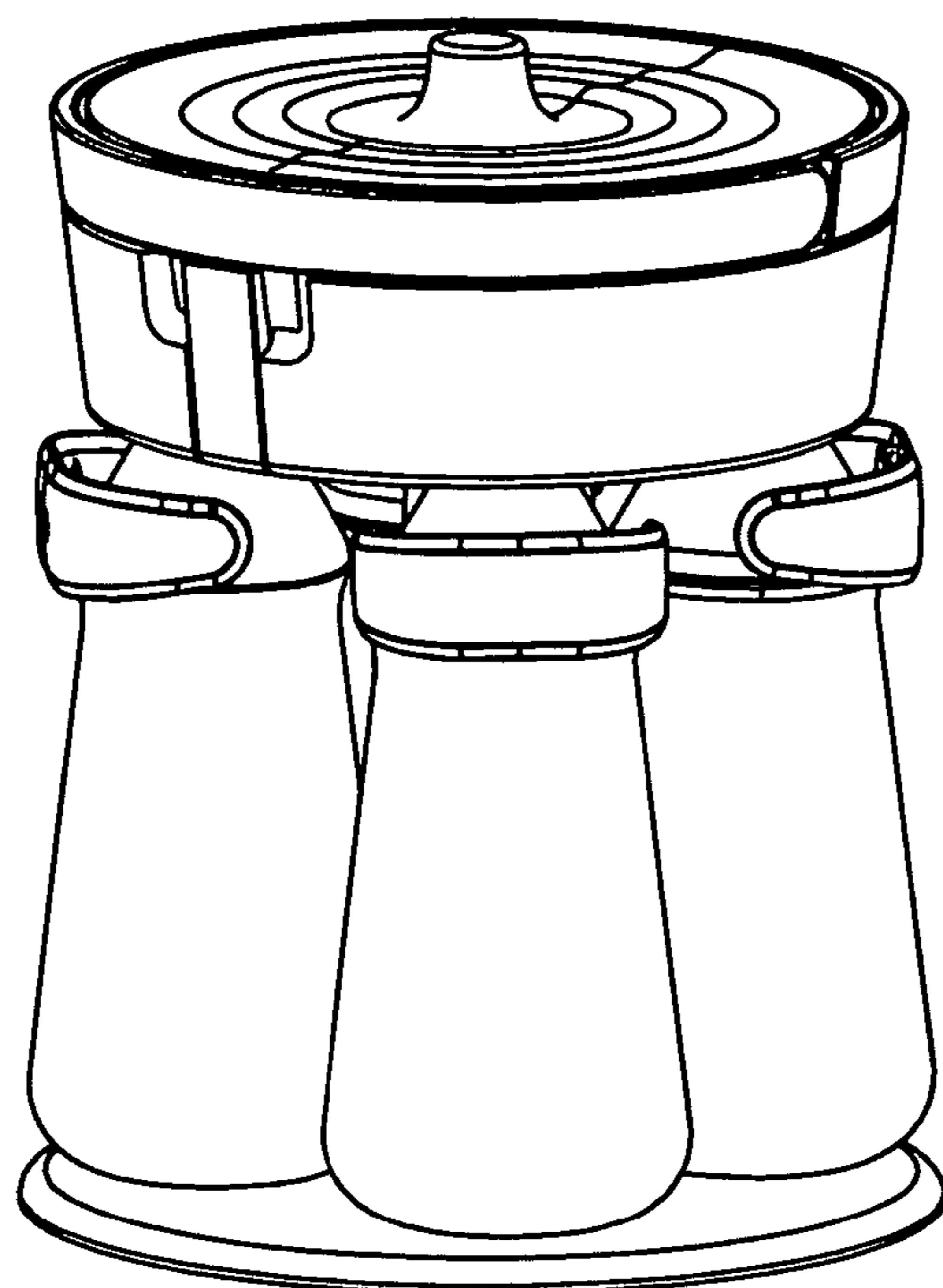


Fig. 1

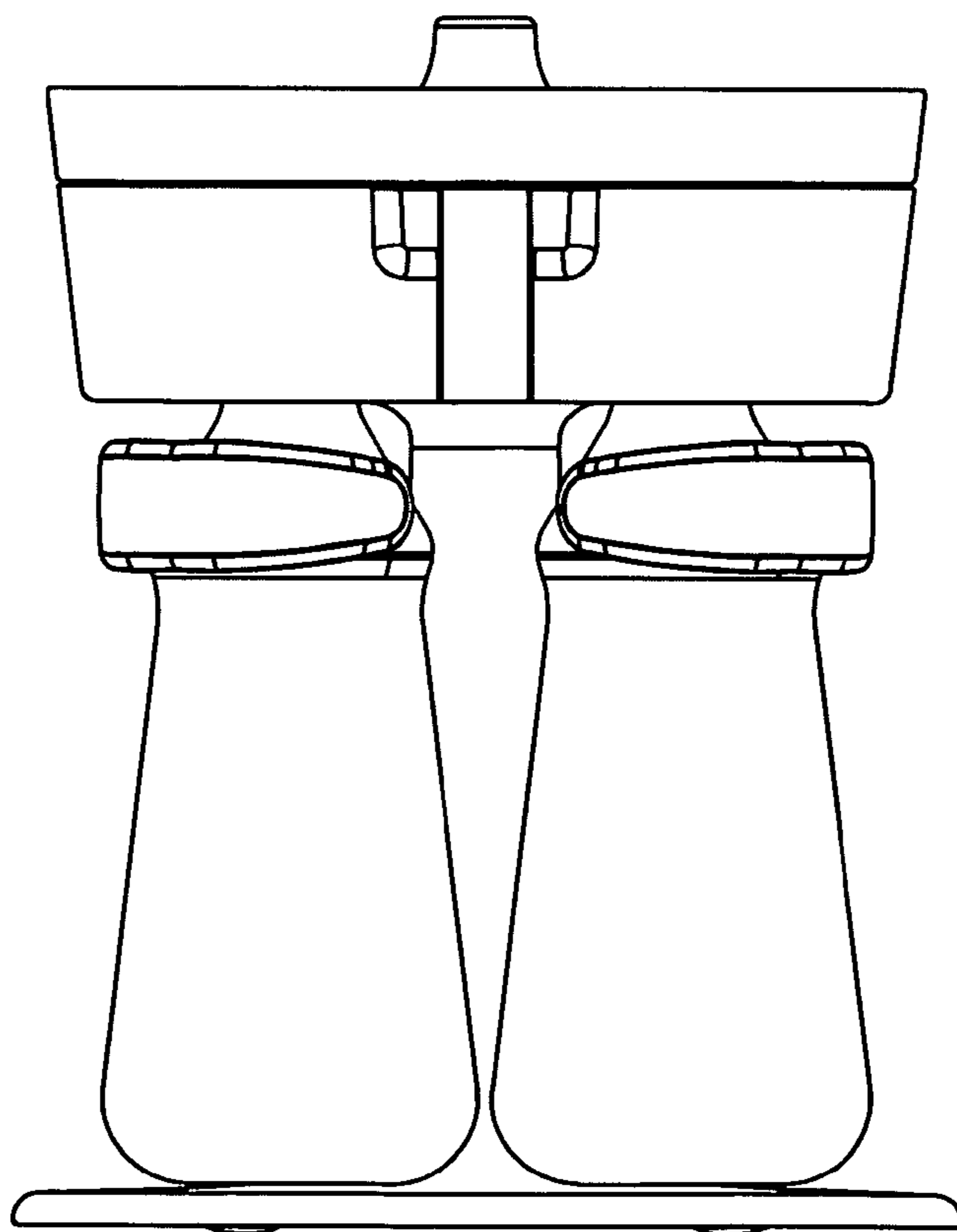


Fig. 2

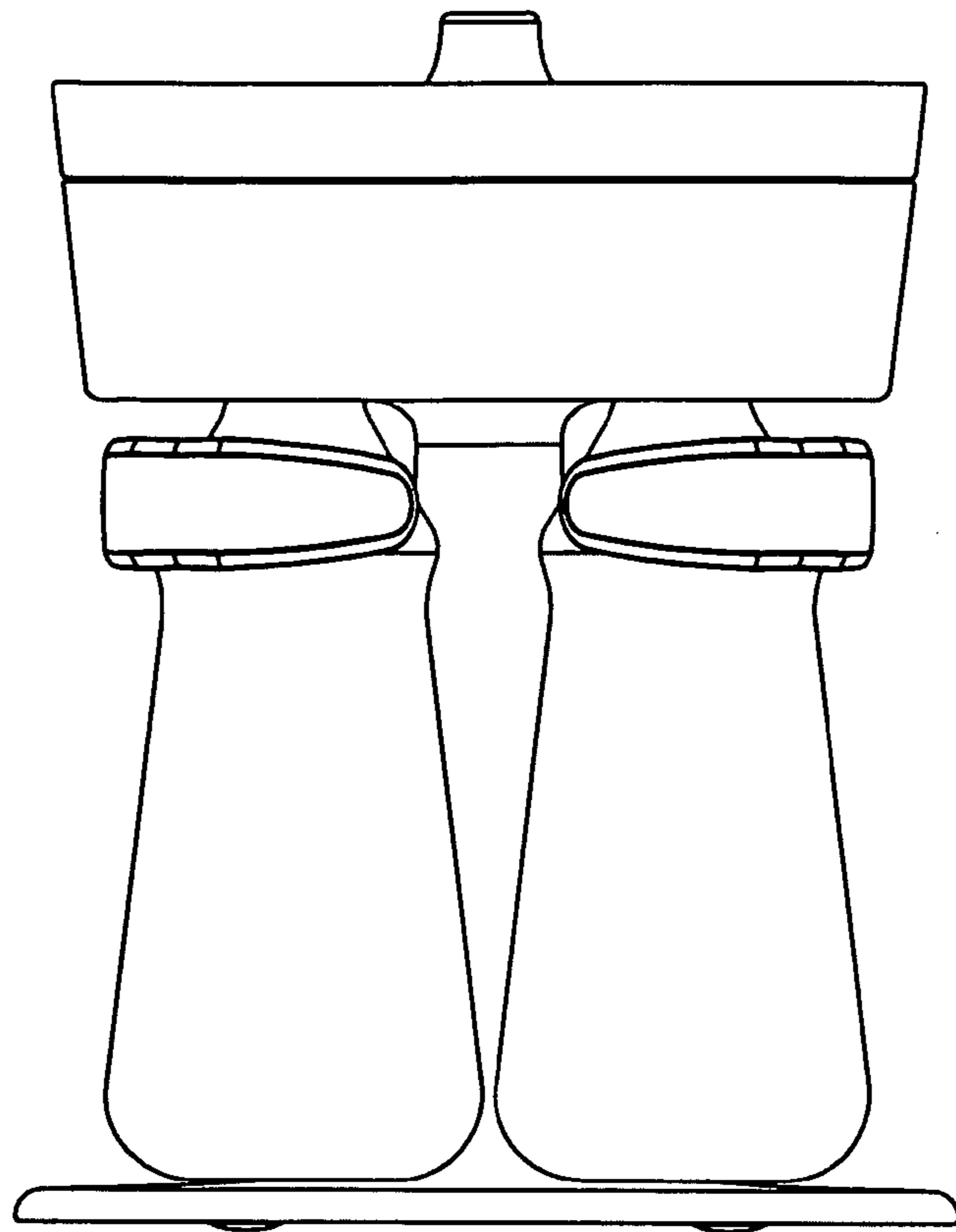


Fig. 3

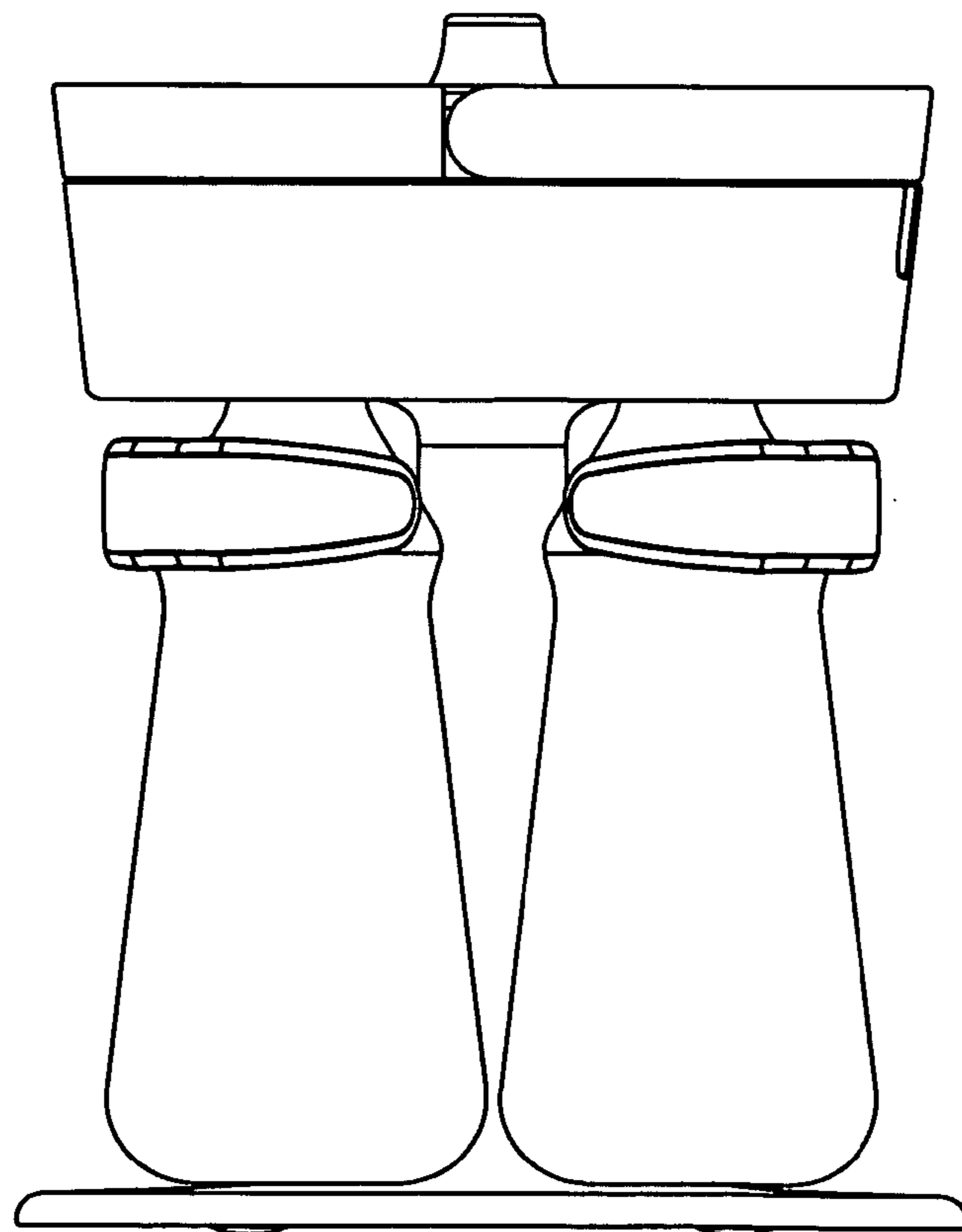


Fig. 4

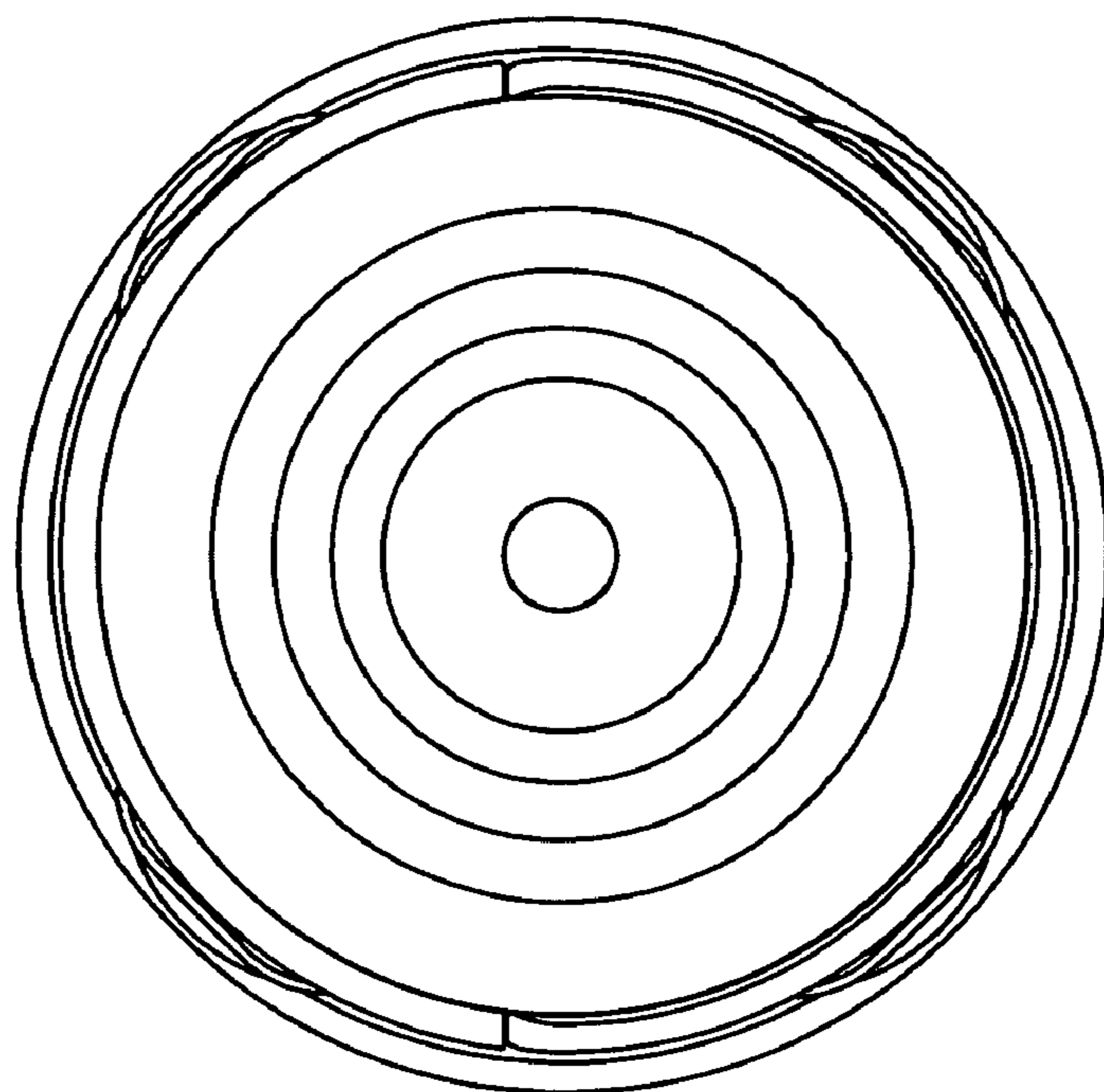


Fig. 5

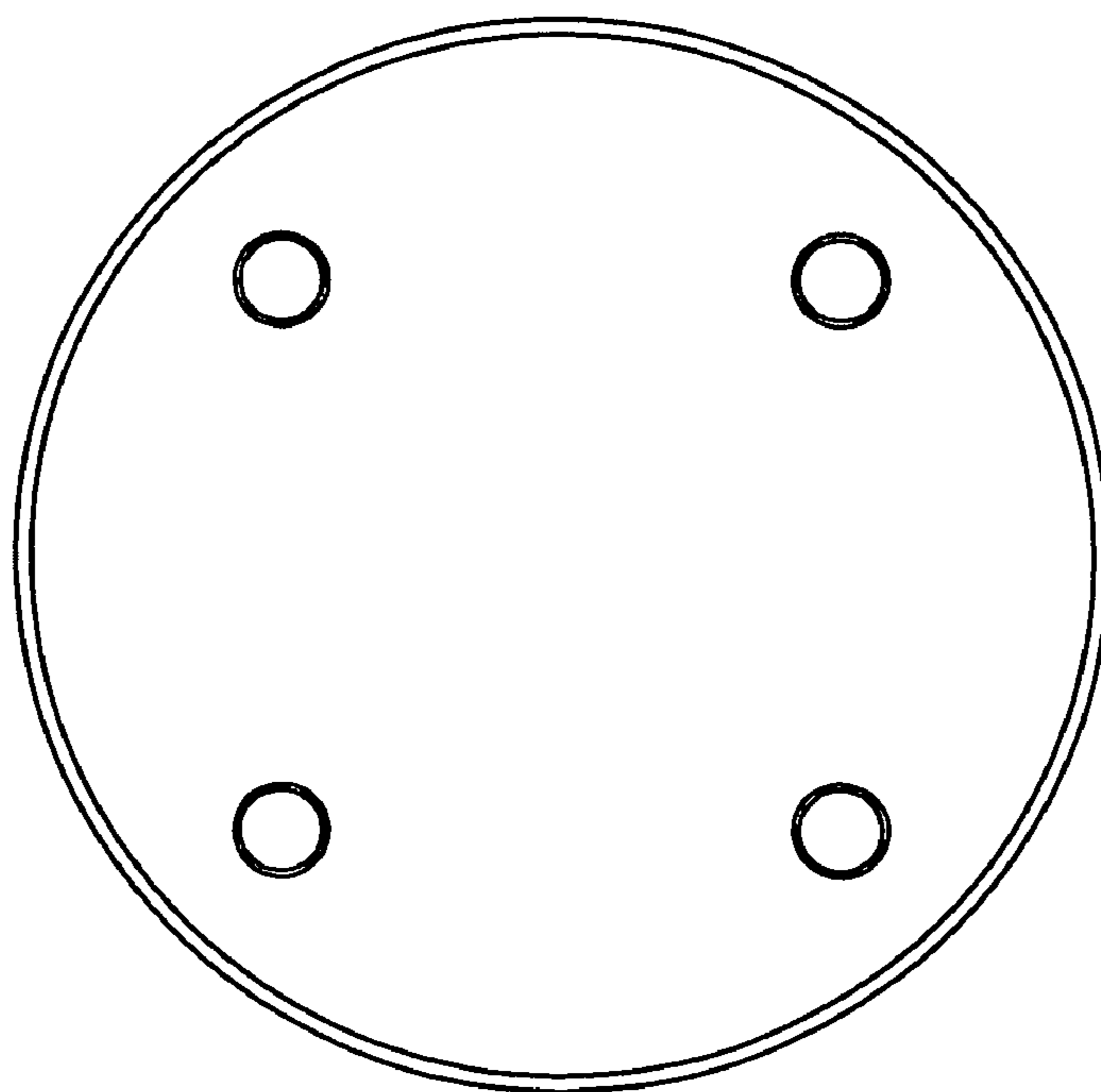


Fig. 6

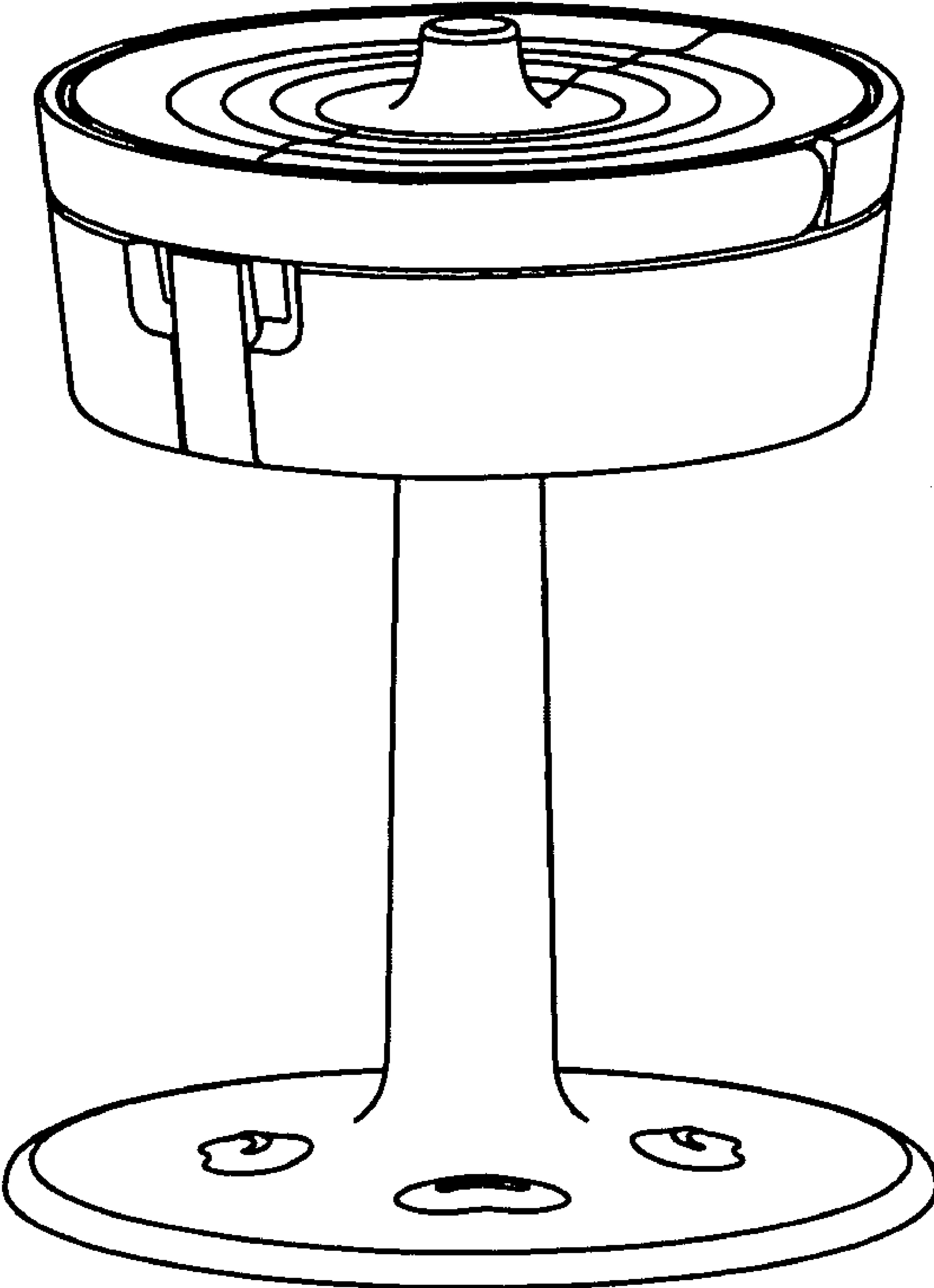


Fig. 7