



US00D629485S

(12) **United States Design Patent**  
**Lanfersieck et al.**

(10) **Patent No.:** **US D629,485 S**

(45) **Date of Patent:** **\*\* Dec. 21, 2010**

(54) **ANTLER SHED TRAP**

5,845,432 A \* 12/1998 Tully et al. .... 43/61

(76) Inventors: **Robert J. Lanfersieck**, 12 Executive Dr., Millstadt, IL (US) 62260; **Eric S. Pohrer**, 5340 Old Lemay Ferry, Imperial, MO (US) 63052

\* cited by examiner

*Primary Examiner*—Catherine R Oliver  
(74) *Attorney, Agent, or Firm*—Kevin L. Klug

(\*\*) Term: **14 Years**

(57) **CLAIM**

(21) Appl. No.: **29/358,991**

The ornamental design for an antler shed trap, as shown and described.

(22) Filed: **Apr. 2, 2010**

**DESCRIPTION**

(51) **LOC (9) Cl.** ..... **22-06**

(52) **U.S. Cl.** ..... **D22/119**

(58) **Field of Classification Search** ..... D22/119–124;  
43/58, 60–63

See application file for complete search history.

FIG. 1 is a front top left perspective view of an antler shed trap;

FIG. 2 is a left side elevation view thereof;

FIG. 3 is a right side elevation view thereof;

FIG. 4 is a rear view thereof;

FIG. 5 is a front view thereof;

FIG. 6 is a top plan view thereof; and,

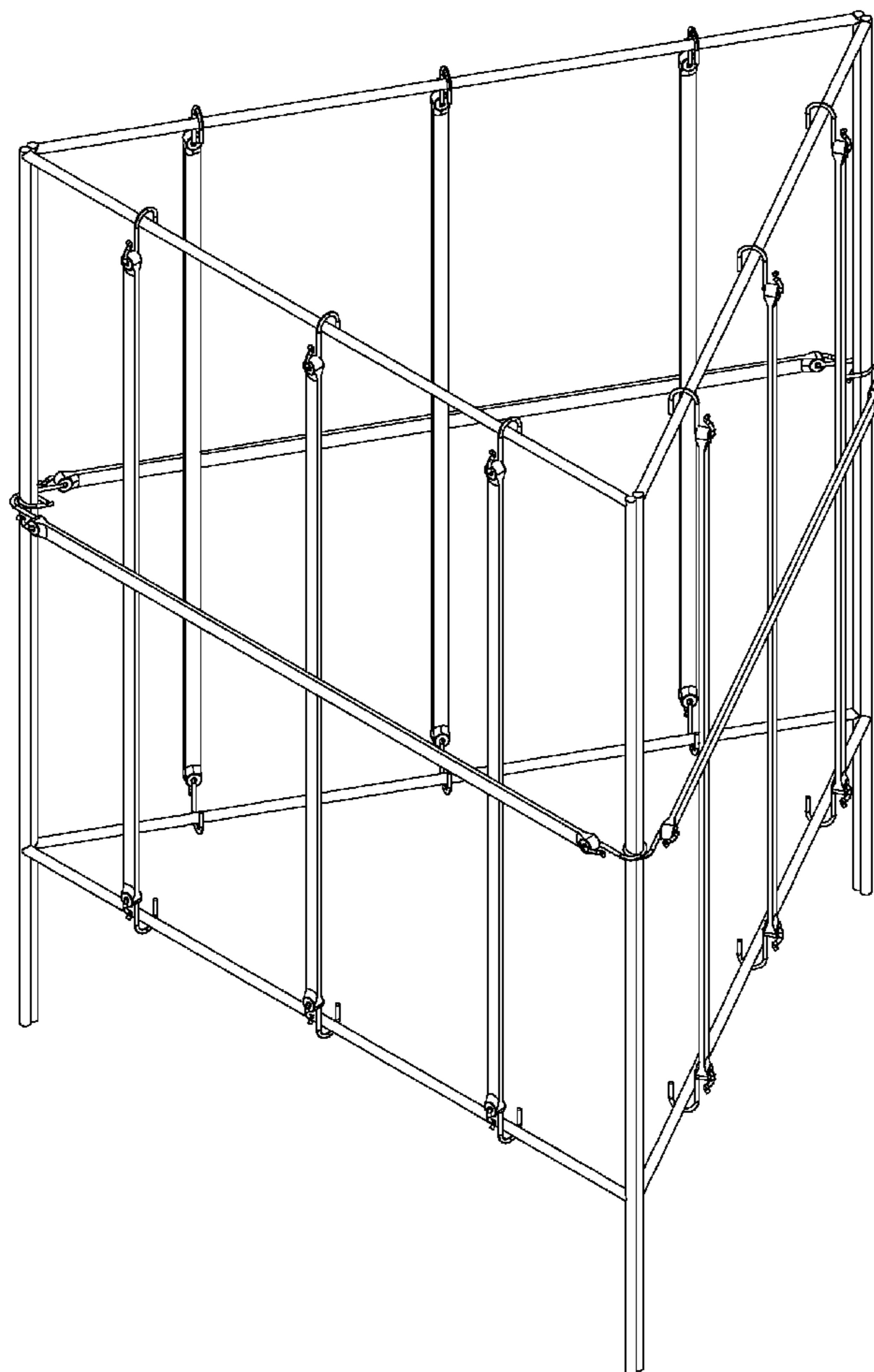
FIG. 7 is a bottom plan view thereof.

(56) **References Cited**

**U.S. PATENT DOCUMENTS**

1,075,954	A *	10/1913	Verner	.....	43/63
2,047,063	A *	7/1936	Gephardt	.....	43/61
3,055,139	A *	9/1962	Condello	.....	43/61
D297,966	S *	10/1988	Frazer	.....	D22/119

**1 Claim, 7 Drawing Sheets**



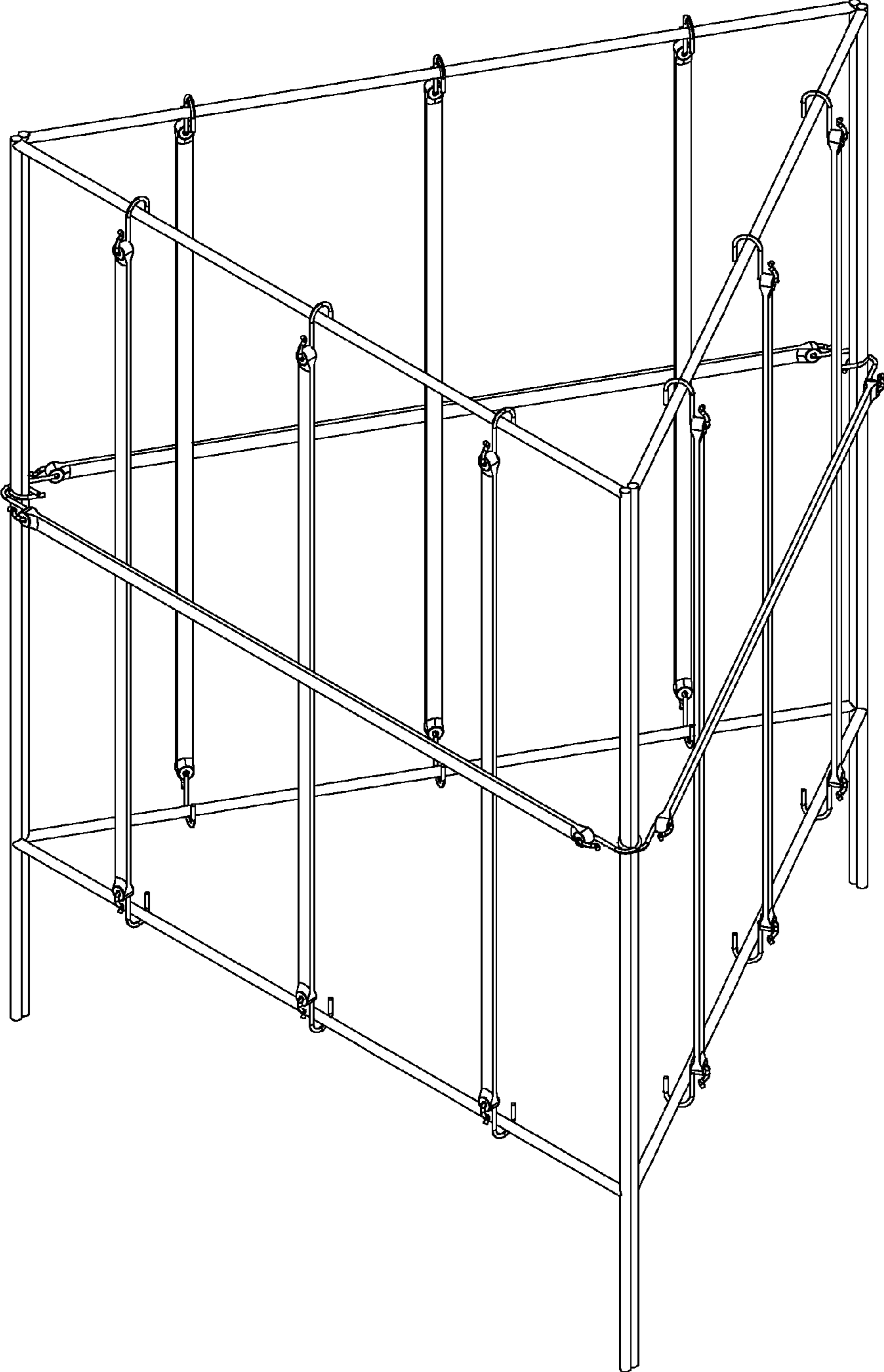


Fig. 1

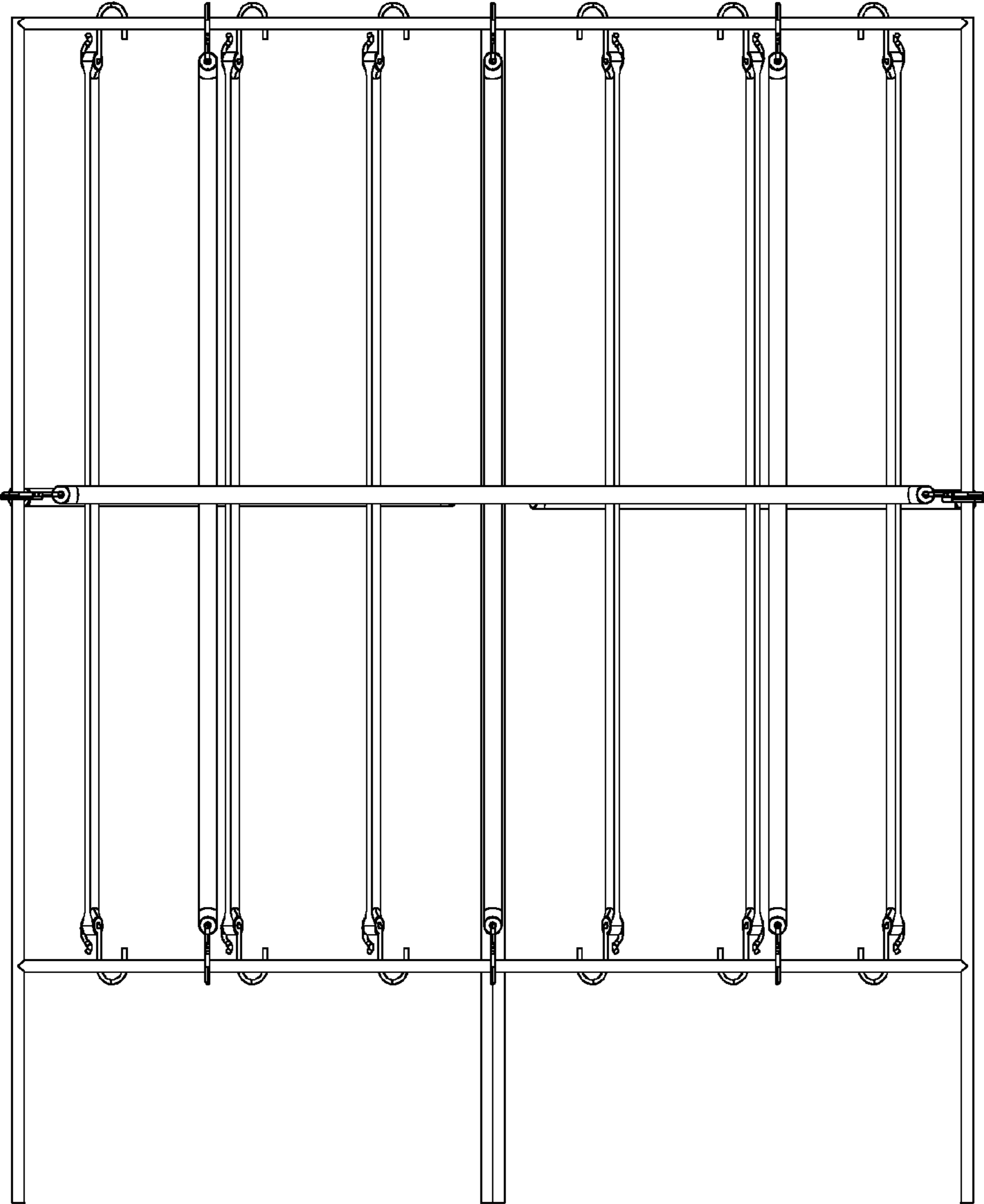


Fig. 2

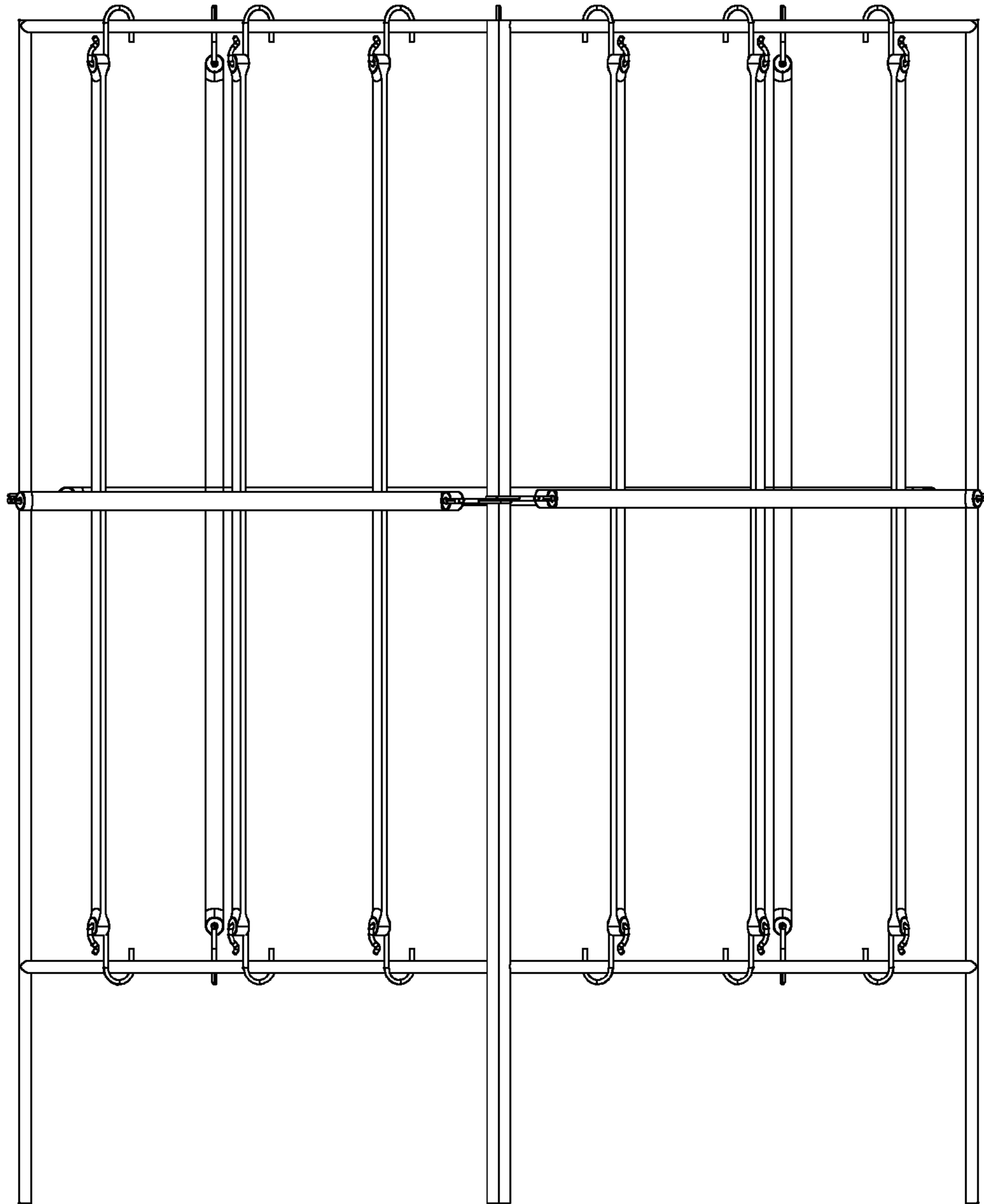


Fig. 3

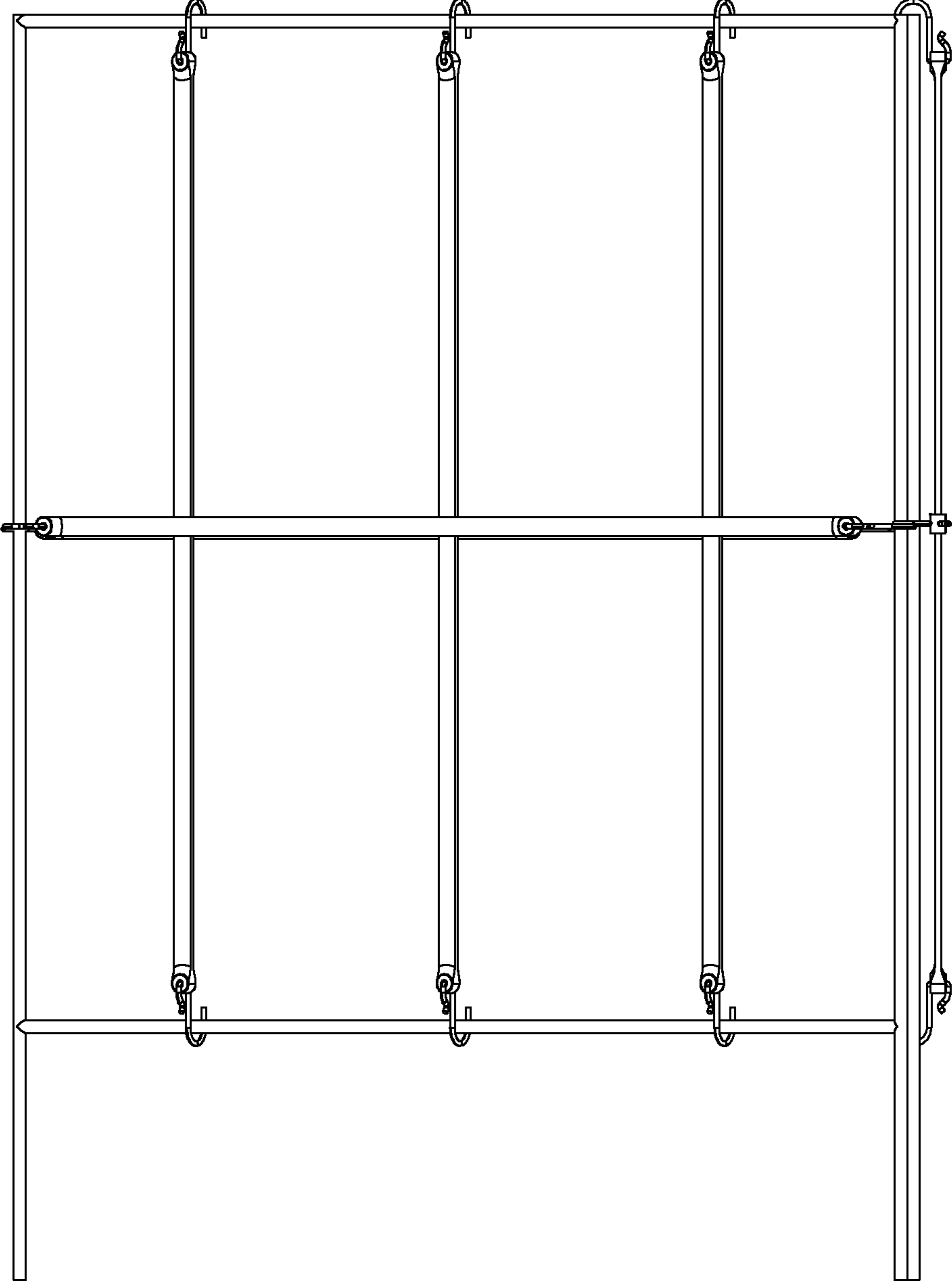


Fig. 4

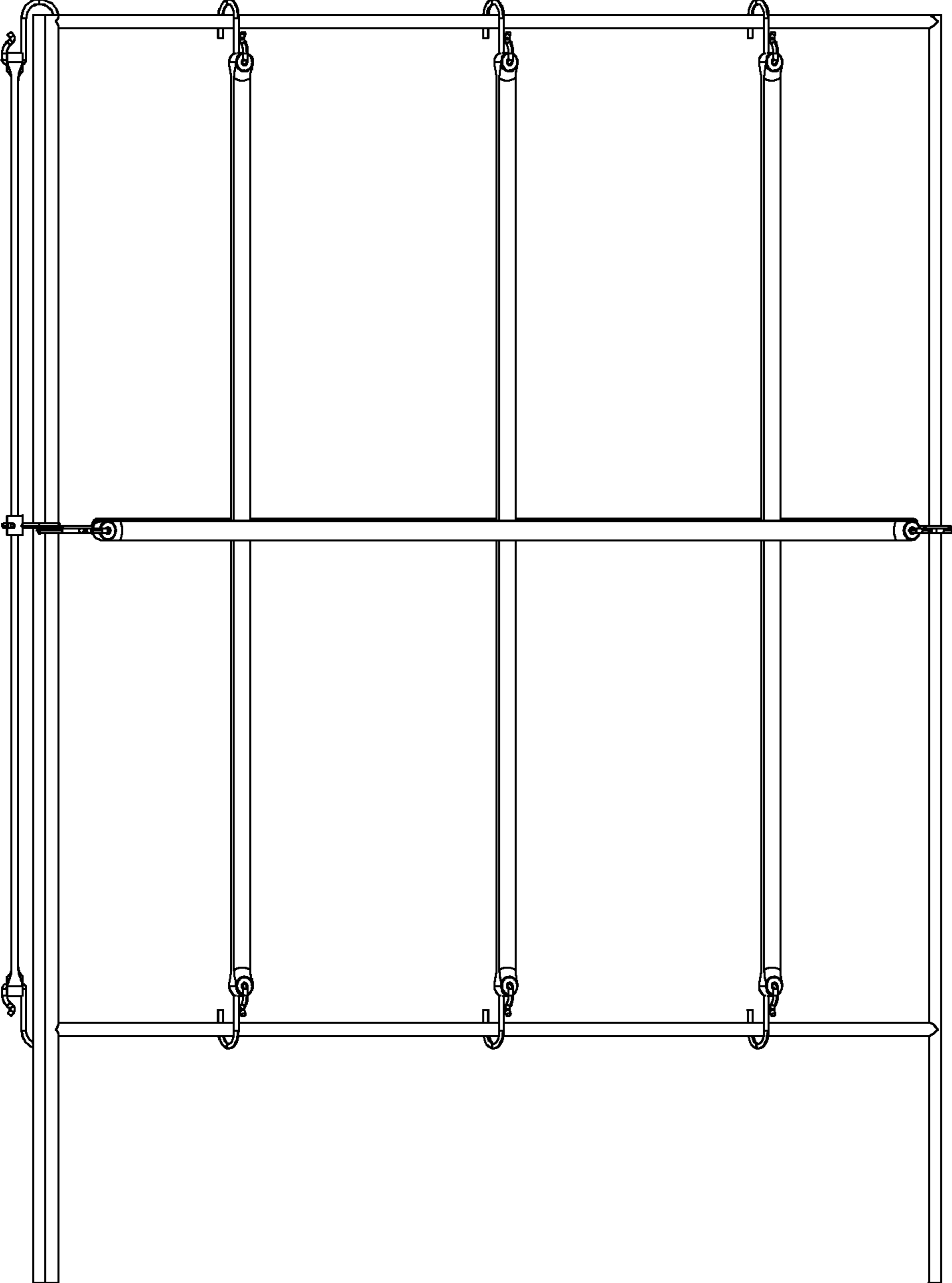


Fig. 5

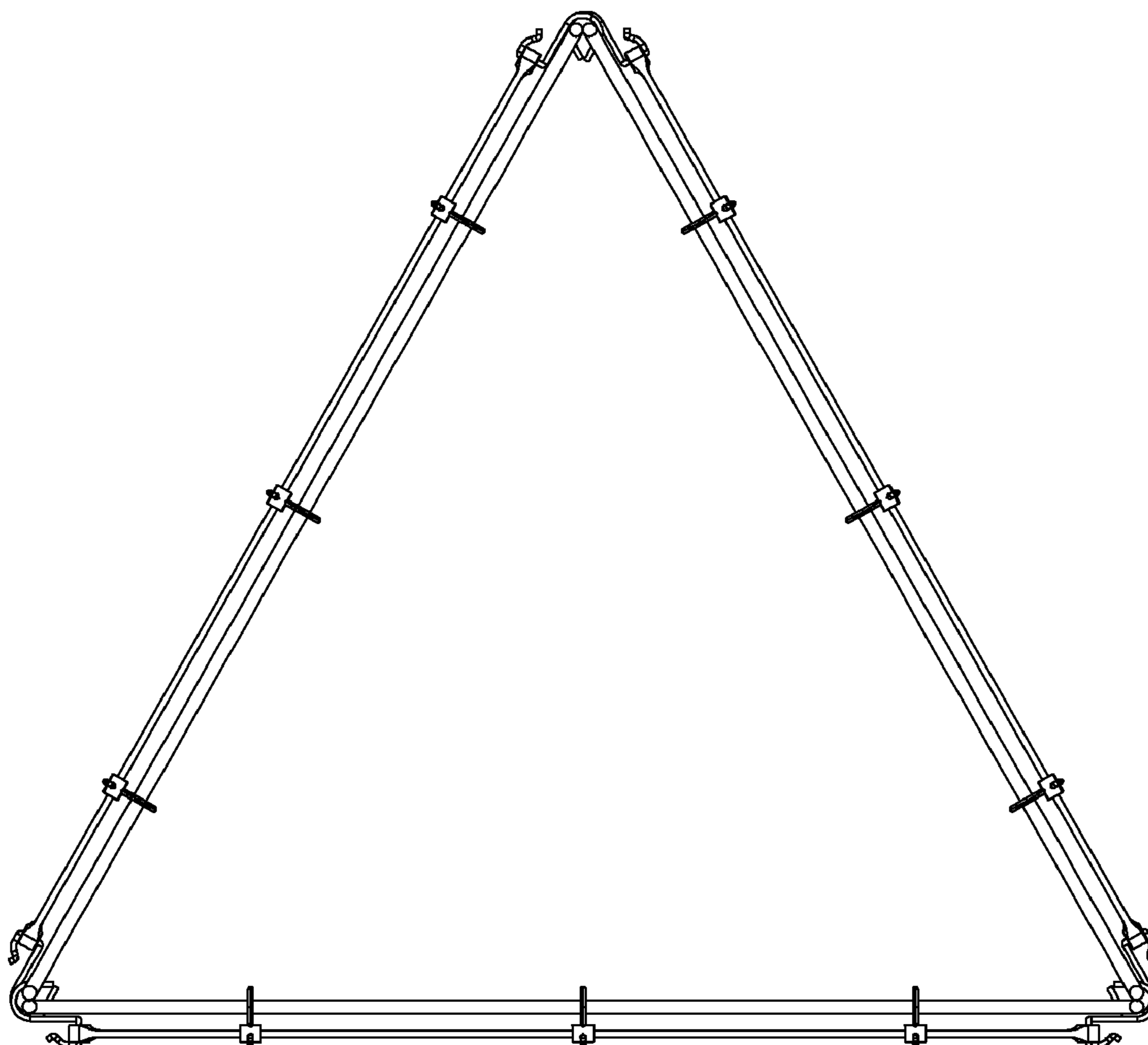


Fig. 6

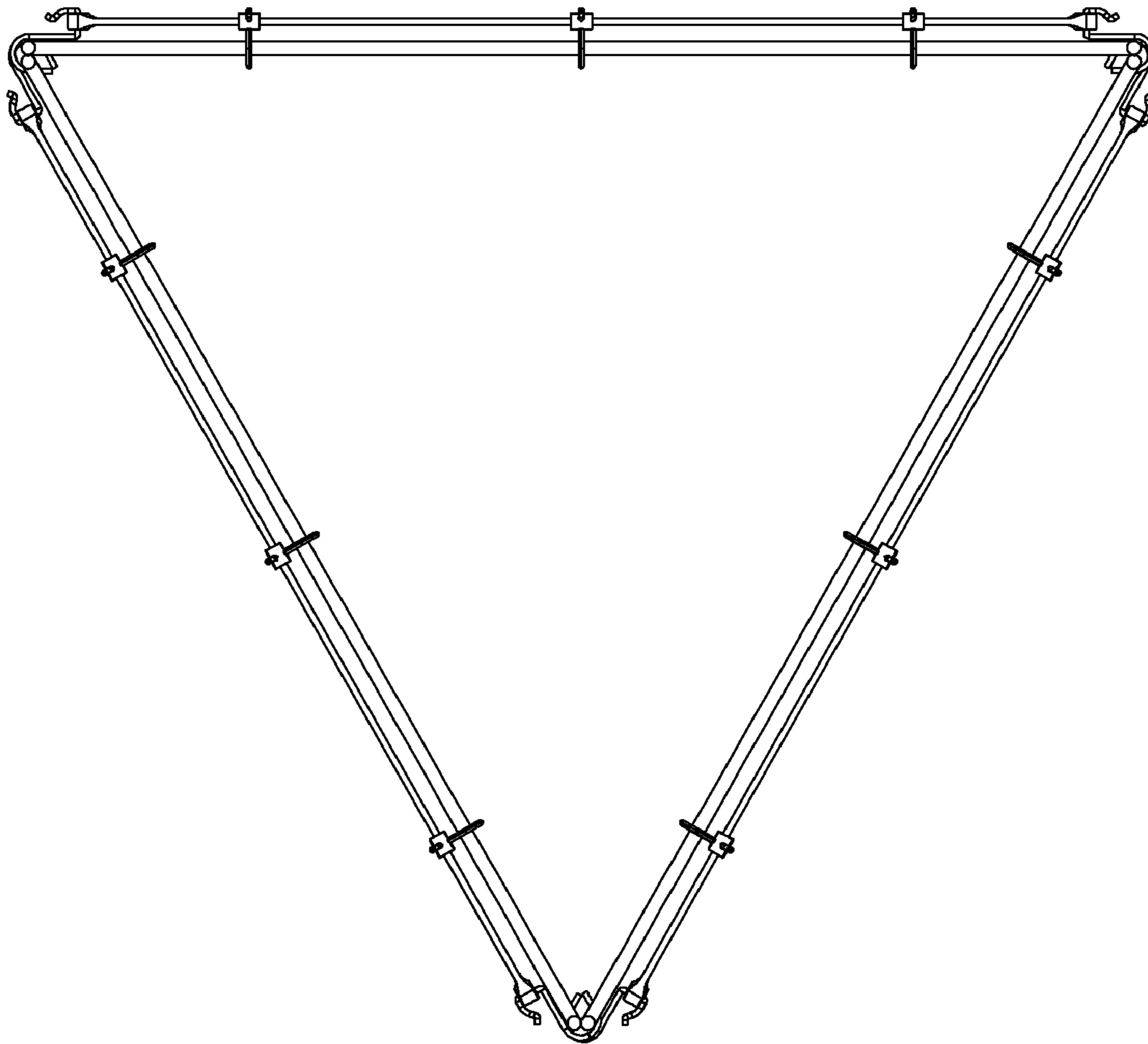


Fig. 7