



US00D629479S

(12) **United States Design Patent**
Chen

(10) **Patent No.:** **US D629,479 S**

(45) **Date of Patent:** **** Dec. 21, 2010**

(54) **THREE PIECE BASEBALL BAT GRIP AUGMENTATION**

2004/0023736 A1 2/2004 Cardinale

* cited by examiner

(75) Inventor: **Chung Chai Chen**, Dumont, NE (US)

Primary Examiner—Mitchell I Siegel

(74) *Attorney, Agent, or Firm*—Kenneth L. Green

(73) Assignee: **Proswingez LLC**, Dumont, NJ (US)

(**) Term: **14 Years**

(57) **CLAIM**

(21) Appl. No.: **29/356,963**

The ornamental design for a three piece baseball bat grip augmentation, as shown and described.

(22) Filed: **Mar. 4, 2010**

DESCRIPTION

(51) **LOC (9) Cl.** **21-02**

FIG. 1 is a perspective view of the three piece baseball bat grip augmentation showing my new design, with a baseball bat shown in phantom.

(52) **U.S. Cl.** **D21/756**

FIG. 2 is a perspective view of the three piece baseball bat grip augmentation showing my new design.

(58) **Field of Classification Search** D21/725,
D21/753, 756, 758, 780, 791; 473/564–568
See application file for complete search history.

FIG. 3 is a front elevation view of the three piece baseball bat grip augmentation of FIG. 1.

(56) **References Cited**

U.S. PATENT DOCUMENTS

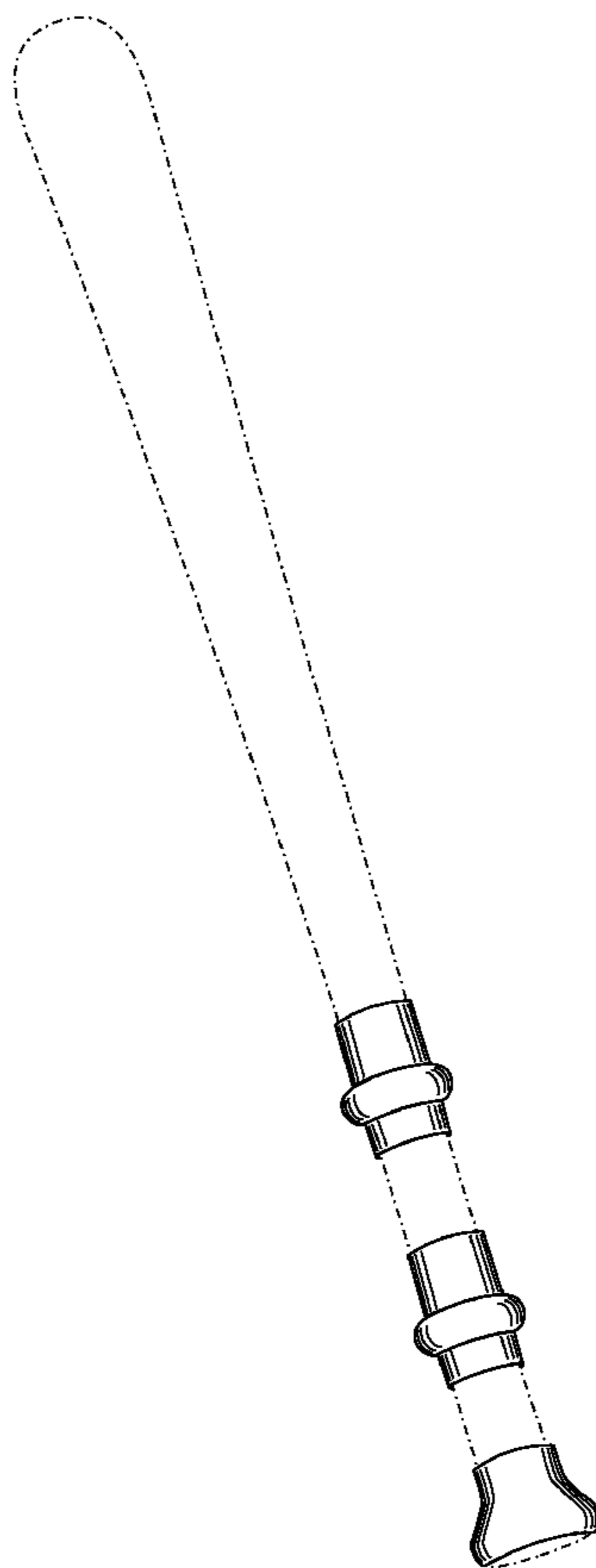
5,711,728	A	*	1/1998	Marcelo	473/564
D432,613	S	*	10/2000	Lewallen, Jr.	D21/791
D457,929	S	*	5/2002	Ciesar et al.	D21/725
D461,214	S		8/2002	Luciano		
D480,122	S	*	9/2003	Ciesar et al.	D21/780
D483,827	S	*	12/2003	Ciesar	D21/780
D498,806	S	*	11/2004	Sims	D21/753
D499,159	S	*	11/2004	Sims	D21/753
D504,479	S	*	4/2005	Sims	D21/753

FIG. 4 is a left side elevation view of the three piece baseball bat grip augmentation of FIG. 1, the right side elevation view being a mirror image of the left side view.

FIG. 5 is a top plan view of the three piece baseball bat grip augmentation of FIG. 1; and,

FIG. 6 is a bottom plan view of the three piece baseball bat grip augmentation of FIG. 1.

1 Claim, 2 Drawing Sheets



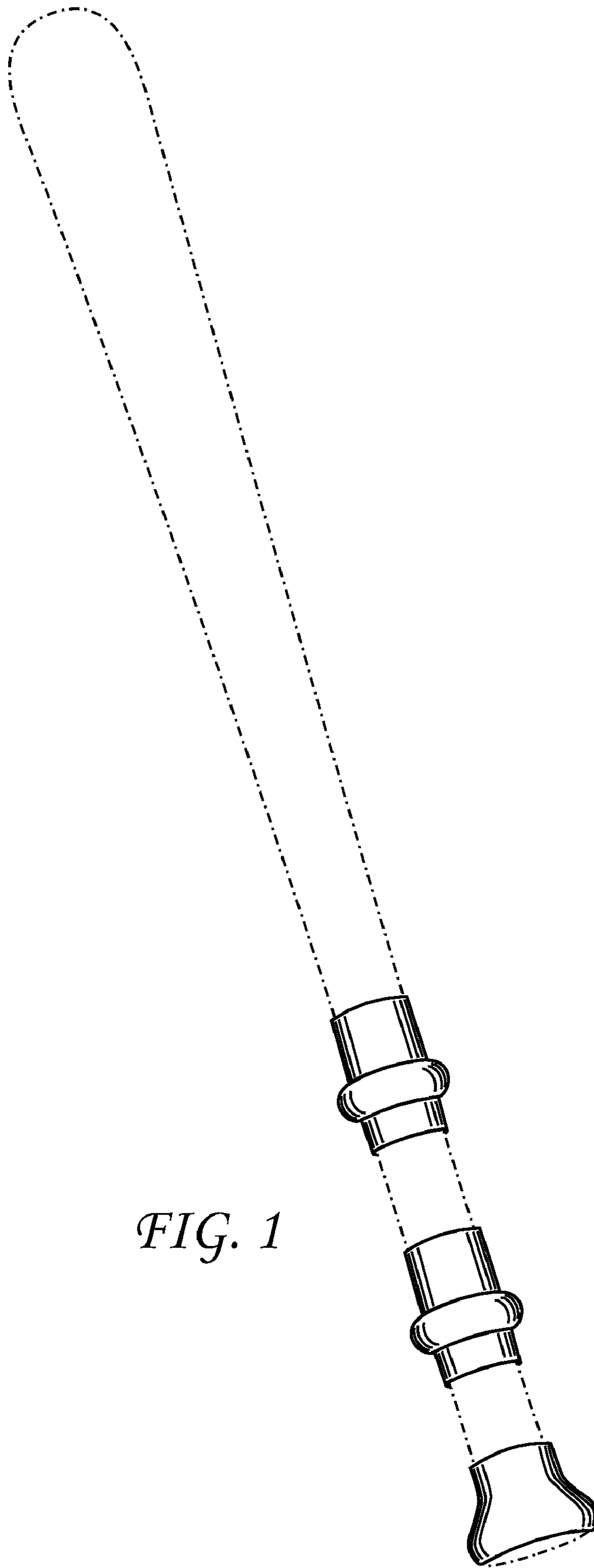


FIG. 1

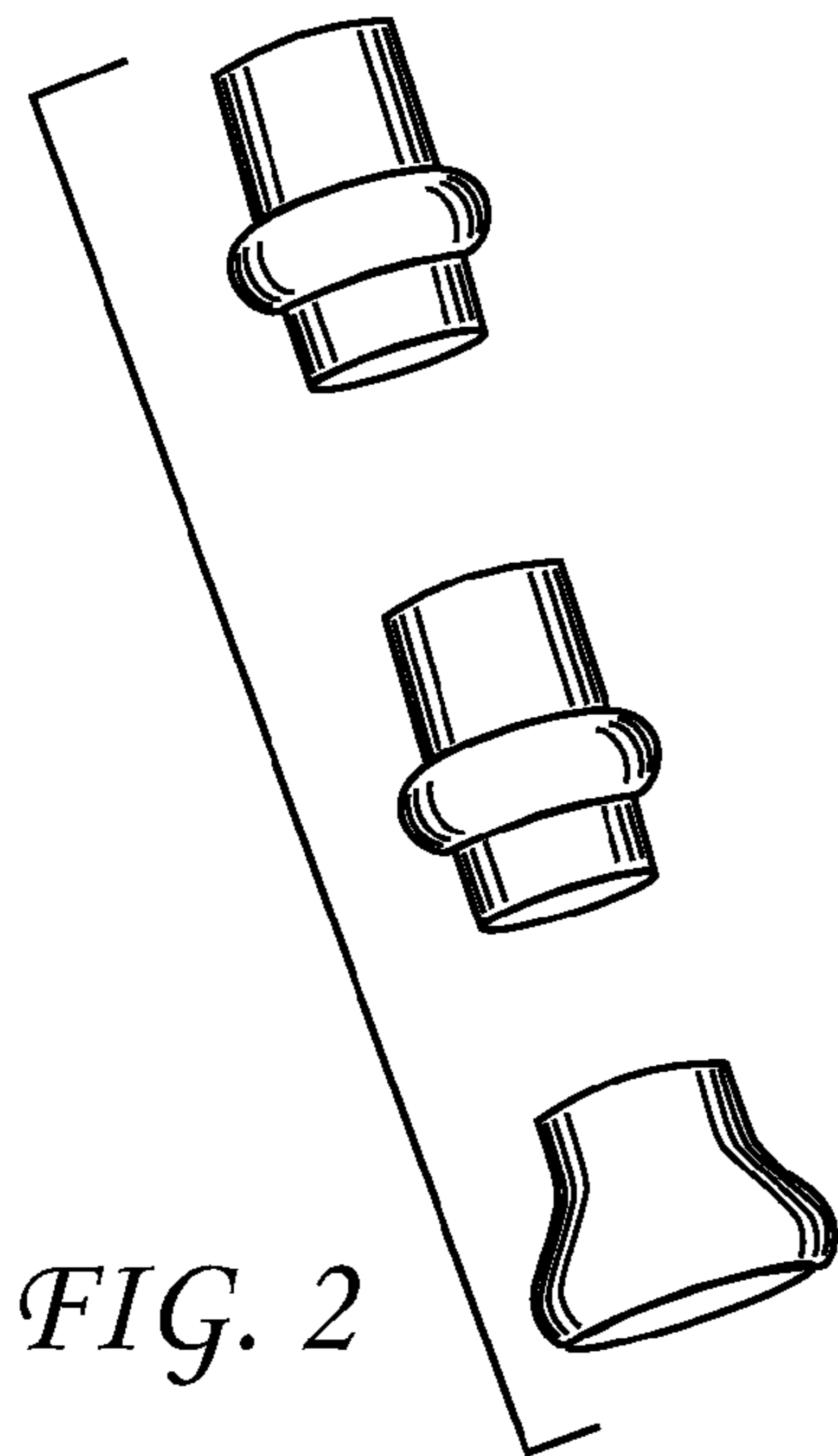


FIG. 2

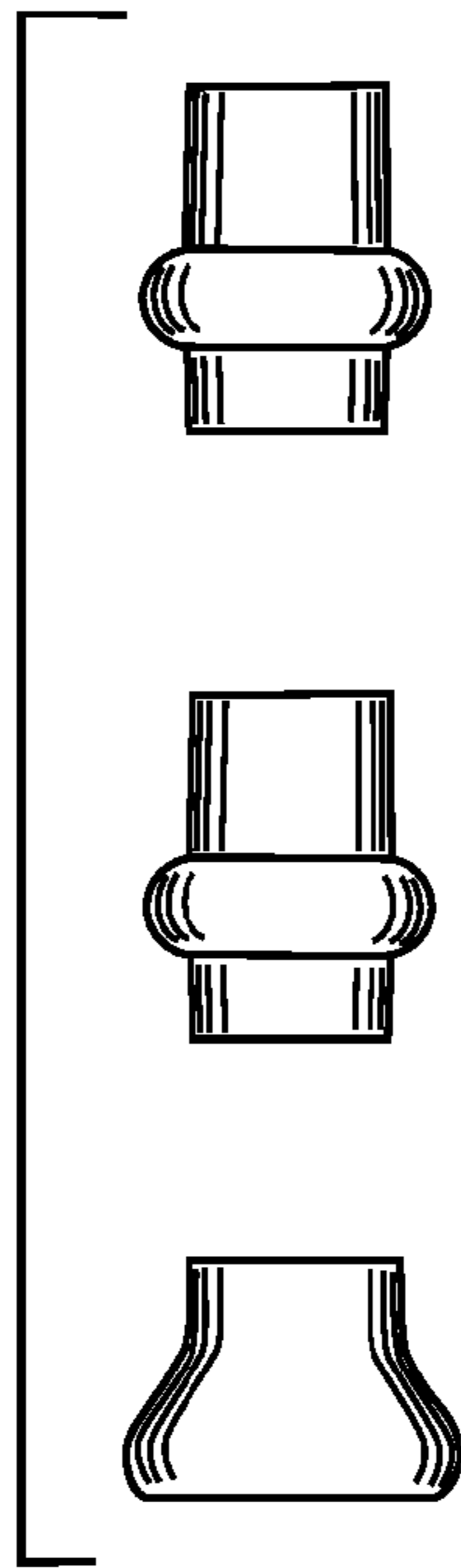


FIG. 3

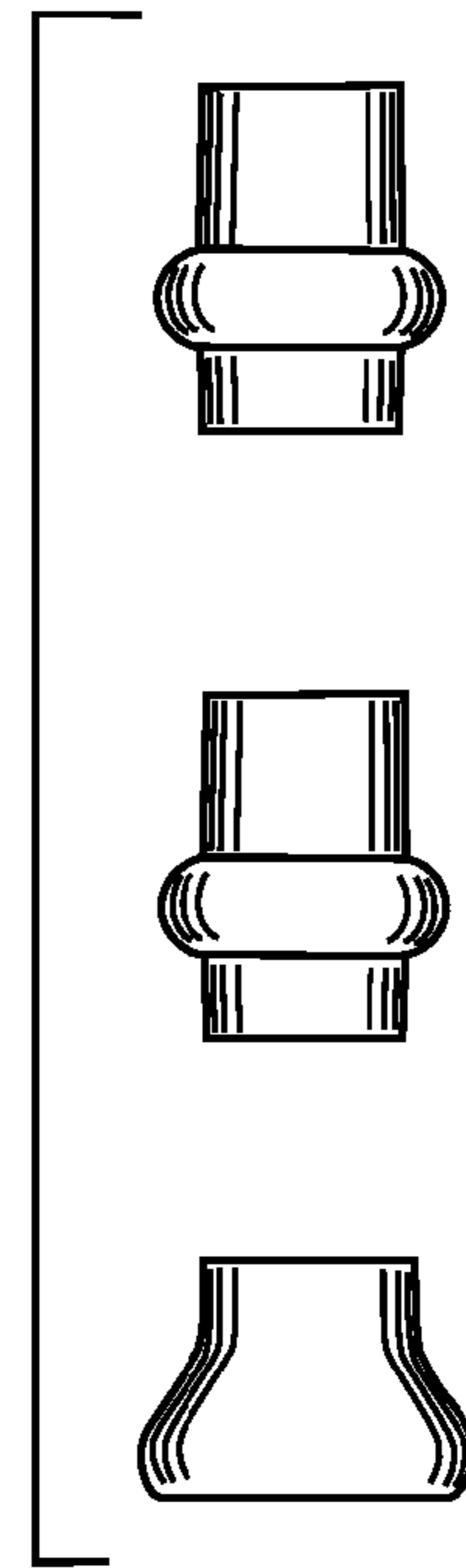


FIG. 4

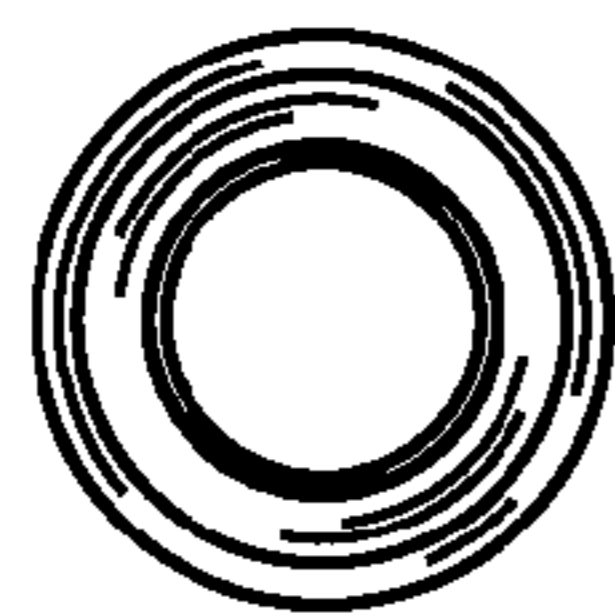


FIG. 5

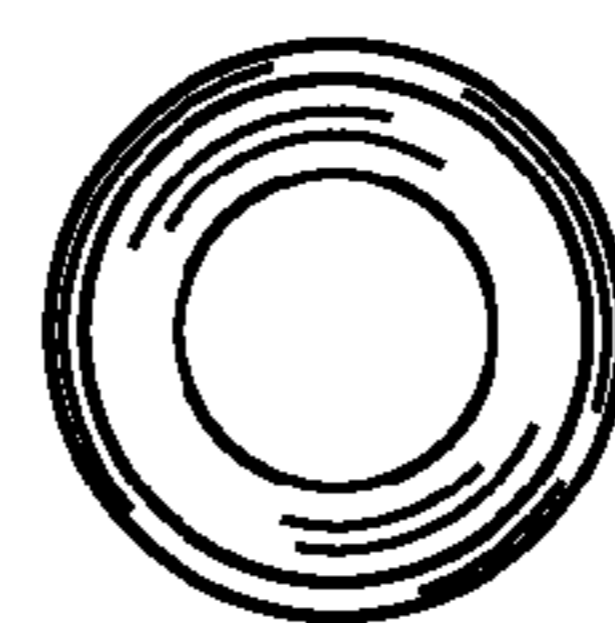


FIG. 6