



US00D629478S

(12) **United States Design Patent**
Appleton et al.

(10) **Patent No.:** **US D629,478 S**

(45) **Date of Patent:** **** Dec. 21, 2010**

(54) **END CAP FOR A LACROSSE SHAFT**

(75) Inventors: **Douglas S. Appleton**, San Carlos, CA (US); **Blakeley E. Kim**, San Francisco, CA (US); **Cortland R. Kim**, San Francisco, CA (US)

(73) Assignee: **Easton Sports, Inc.**, Van Nuys, CA (US)

(**) Term: **14 Years**

(21) Appl. No.: **29/356,616**

(22) Filed: **Mar. 1, 2010**

(51) **LOC (9) Cl.** **21-02**

(52) **U.S. Cl.** **D21/753**

(58) **Field of Classification Search** D21/724,
D21/753, 757-759; 473/505-515
See application file for complete search history.

(56) **References Cited**

U.S. PATENT DOCUMENTS

- D444,834 S * 7/2001 Tucker, Sr. D21/753
- D445,472 S * 7/2001 Tucker, Sr. D21/753
- 6,960,144 B2 * 11/2005 Tucker, Sr. 473/513
- D565,140 S * 3/2008 Appleton et al. D21/757

- D567,890 S * 4/2008 Appleton et al. D21/756
- 7,651,418 B2 * 1/2010 Appleton et al. 473/513
- 7,766,772 B2 * 8/2010 Morrow et al. 473/513
- 7,789,777 B2 * 9/2010 Tucker, Sr. 473/513

* cited by examiner

Primary Examiner—Mitchell I Siegel

(74) *Attorney, Agent, or Firm*—Xin Wen

(57) **CLAIM**

The ornamental design for an end cap for a lacrosse shaft, as shown and described.

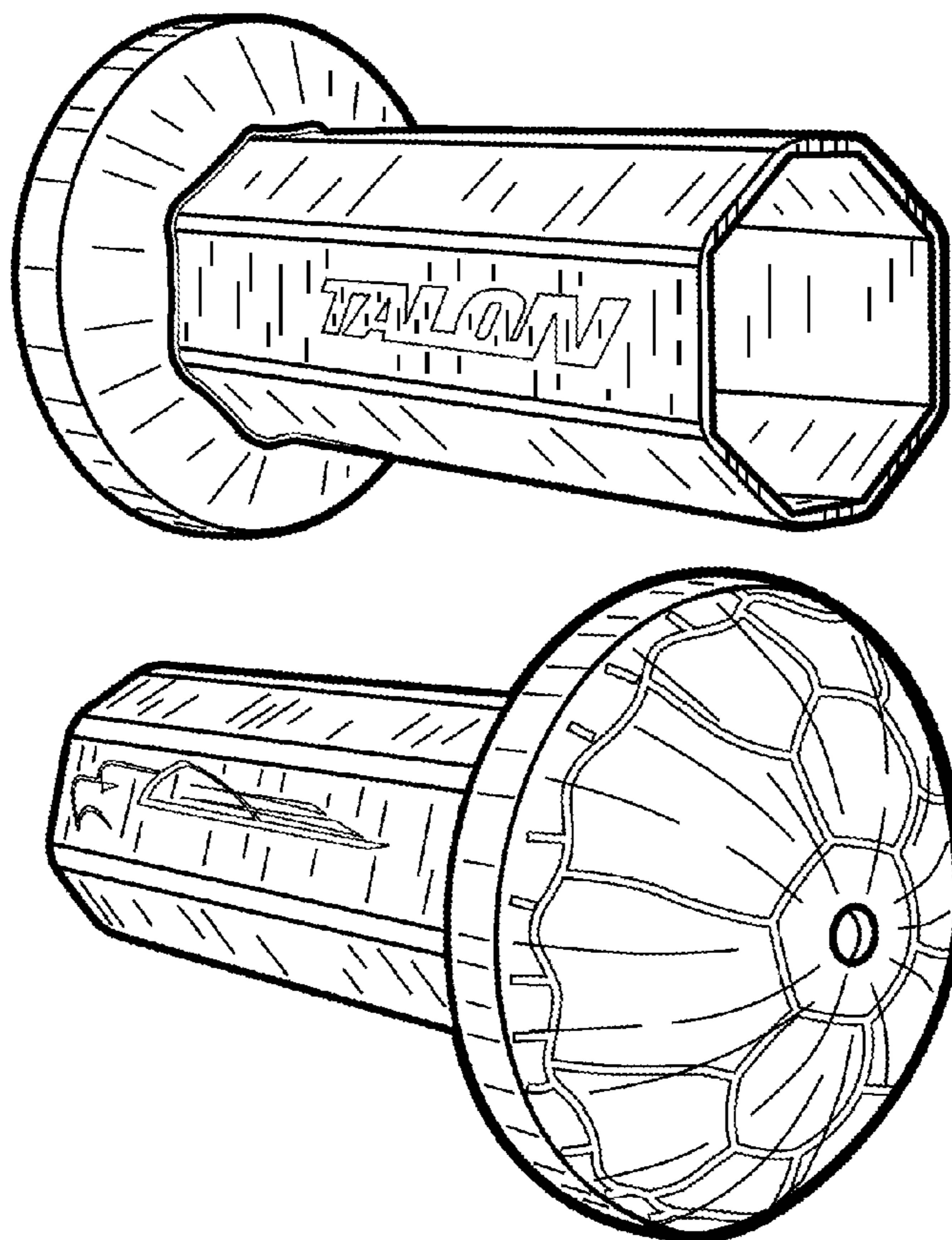
DESCRIPTION

FIG. 1 is a perspective view of an end cap for a lacrosse shaft when viewed from the open end of the end cap, wherein the end cap includes a round closed end and a hollow elongated portion for receiving a lacrosse shaft.

FIG. 2 is a side view of the end cap of FIG. 1 showing a turtle-shell pattern on the round closed end of the end cap; and,

FIG. 3 is a perspective view of the end cap of FIG. 1 when viewed from the closed end of the end cap, showing the turtle-shell pattern on the round closed end of the end cap.

1 Claim, 1 Drawing Sheet



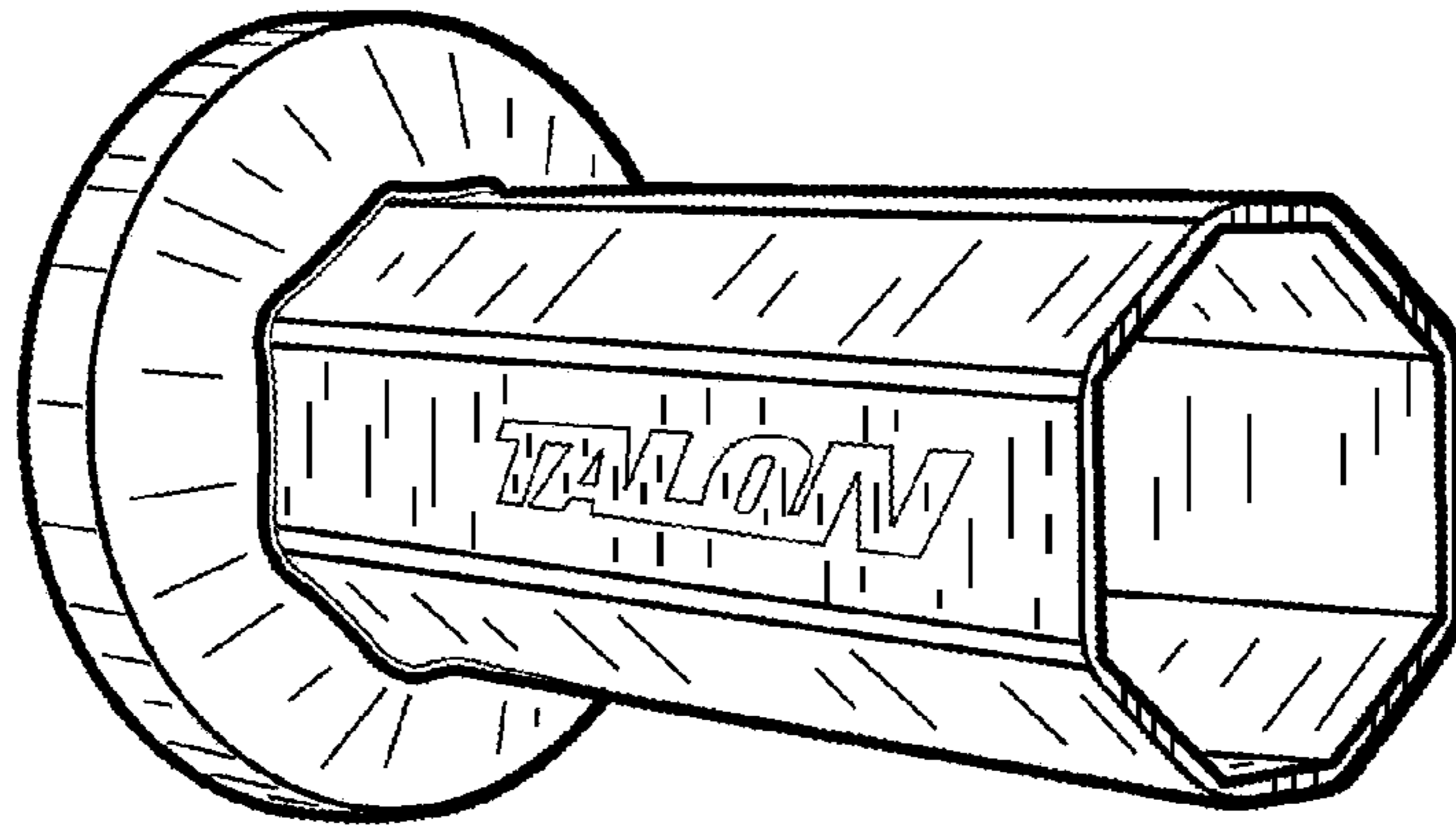


FIG. 1

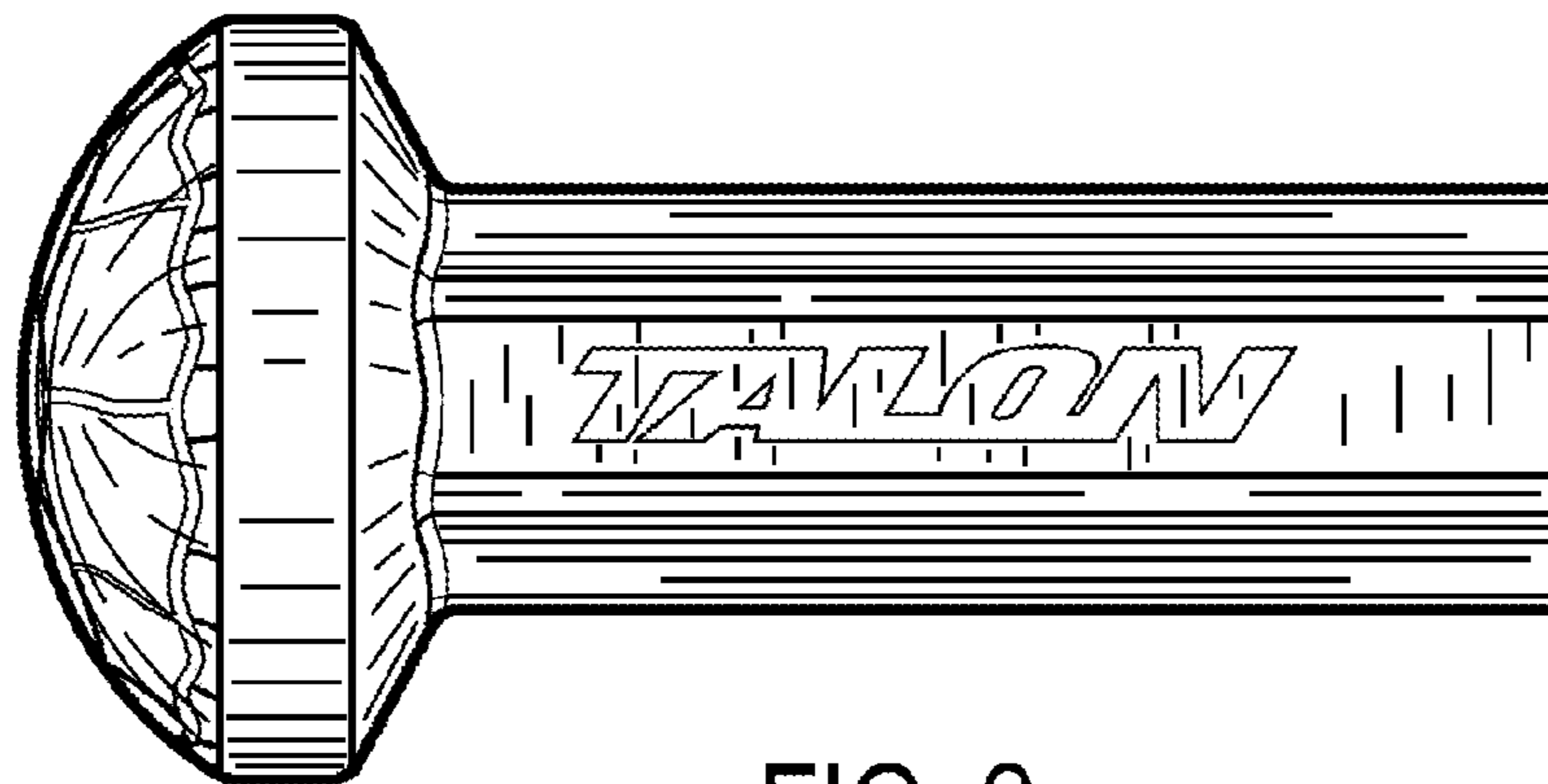


FIG. 2

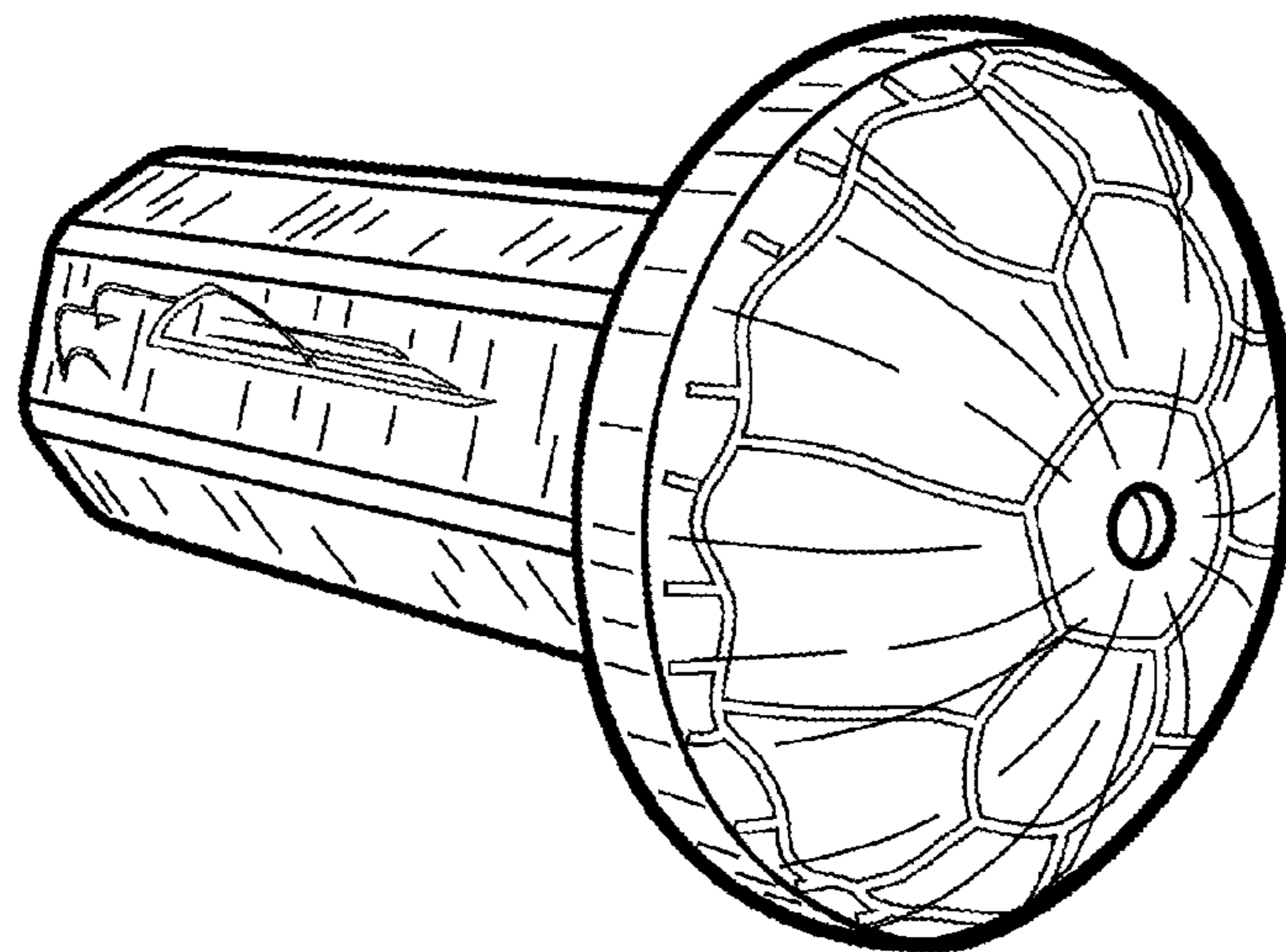


FIG. 3