



US00D629477S

(12) **United States Design Patent**
Rollinson

(10) **Patent No.:** **US D629,477 S**
(45) **Date of Patent:** **** Dec. 21, 2010**

(54) **GOLF CLUB CHIPPER HEAD**

(75) Inventor: **Augustin W. Rollinson**, Carlsbad, CA
(US)

(73) Assignee: **Callaway Golf Company**, Carlsbad, CA
(US)

(**) Term: **14 Years**

(21) Appl. No.: **29/368,488**

(22) Filed: **Aug. 24, 2010**

(51) **LOC (9) Cl.** **21-02**

(52) **U.S. Cl.** **D21/752**

(58) **Field of Classification Search** D21/733-752;
473/324-331, 340-346

See application file for complete search history.

(56) **References Cited**

U.S. PATENT DOCUMENTS

D320,427 S	*	10/1991	Antonious	D21/751
D334,606 S	*	4/1993	Cameron	D21/751
D368,126 S		3/1996	Magerman et al.		
D396,083 S	*	7/1998	Sheets	D21/742
D400,610 S	*	11/1998	Cameron et al.	D21/742
D402,343 S		12/1998	Helmstetter et al.		
D443,906 S		6/2001	Hettinger et al.		
D470,203 S	*	2/2003	Rollinson et al.	D21/733
D470,552 S	*	2/2003	Cleveland et al.	D21/733
D485,320 S		1/2004	Breier et al.		
D486,194 S		2/2004	Helmstetter et al.		

D502,749 S	*	3/2005	Gillig	D21/742
D502,973 S	*	3/2005	Gillig	D21/736
D502,974 S	*	3/2005	Gillig	D21/742
D503,443 S	*	3/2005	Gillig	D21/733
D503,444 S	*	3/2005	Gillig	D21/736
D532,473 S	*	11/2006	Chen et al.	D21/759
D533,242 S		12/2006	Tang		
D537,495 S	*	2/2007	Schweigert et al.	D21/752
D548,293 S		8/2007	Cleveland et al.		
D552,198 S	*	10/2007	Schweigert et al.	D21/752
D567,889 S	*	4/2008	Tang et al.	D21/752
D574,045 S	*	7/2008	Kim et al.	D21/747

* cited by examiner

Primary Examiner—Mitchell I Siegel

(74) *Attorney, Agent, or Firm*—Michael A. Catania

(57) **CLAIM**

The ornamental design for a golf club chipper head, as shown and described.

DESCRIPTION

FIG. 1 is a front perspective view of a golf club chipper head;

FIG. 2 is a top plan view thereof;

FIG. 3 is a rear elevational view thereof;

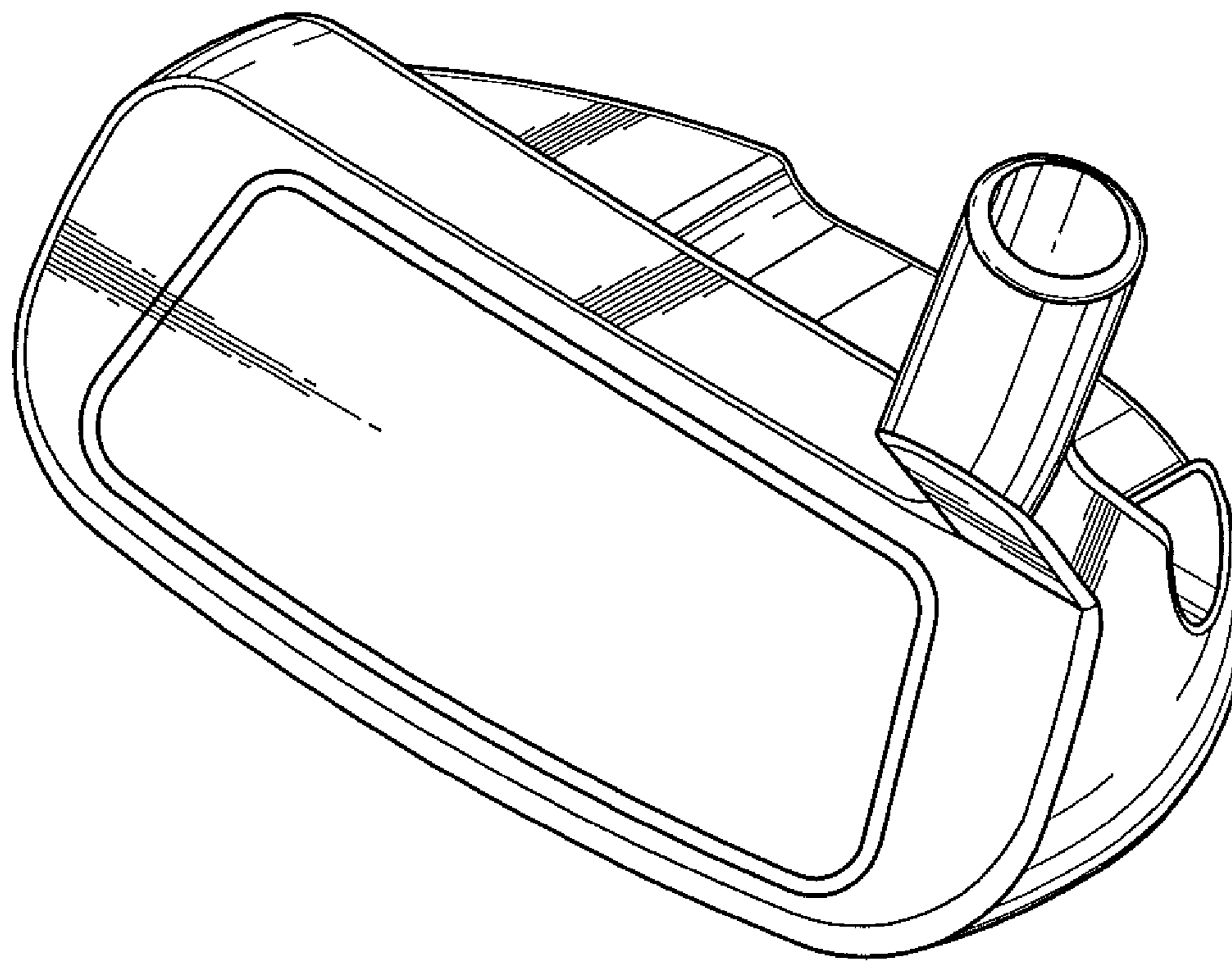
FIG. 4 is a front elevational view thereof;

FIG. 5 is a bottom plan view thereof;

FIG. 6 is a toe elevational view thereof; and,

FIG. 7 is a heel elevational view thereof.

1 Claim, 3 Drawing Sheets



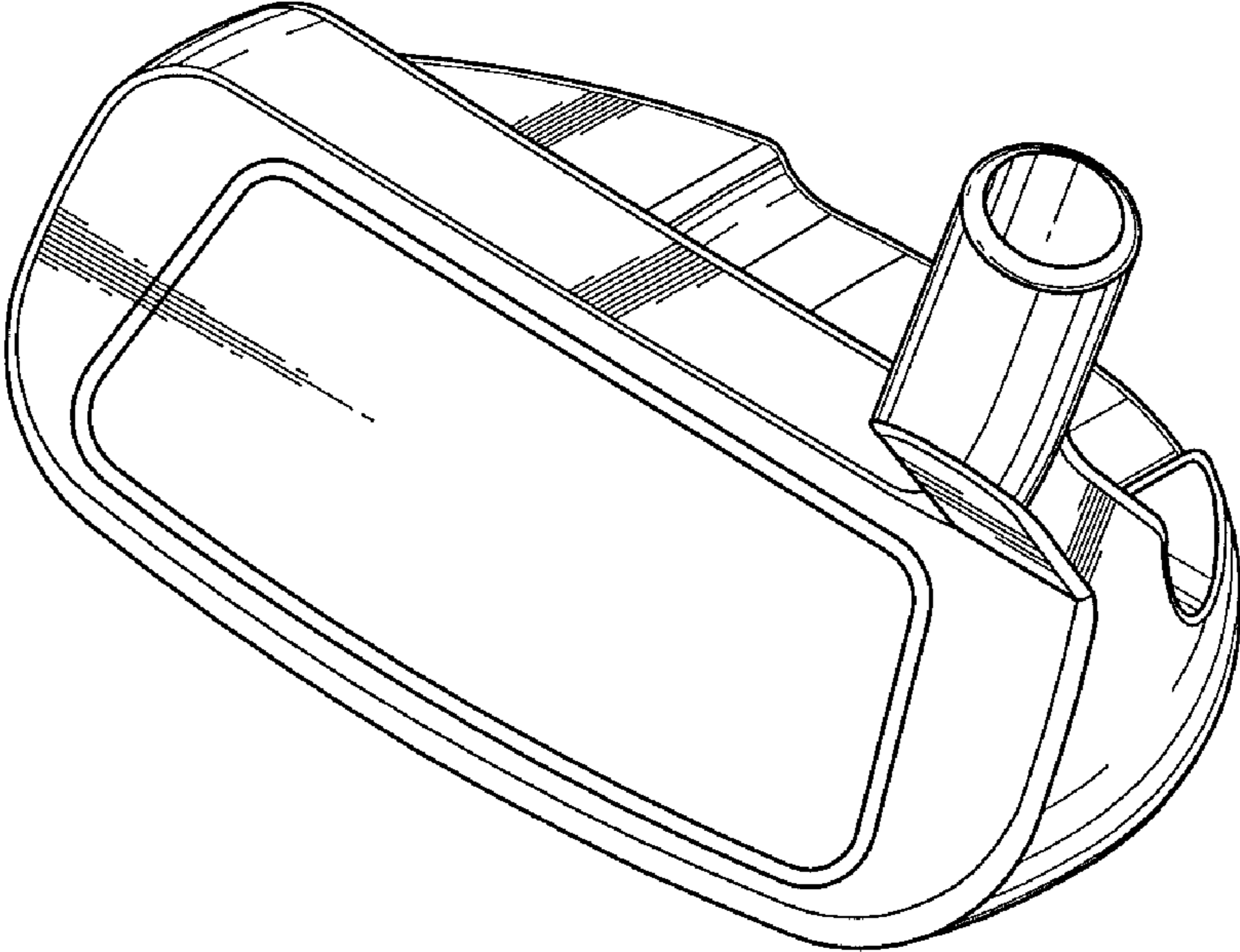


FIG. 1

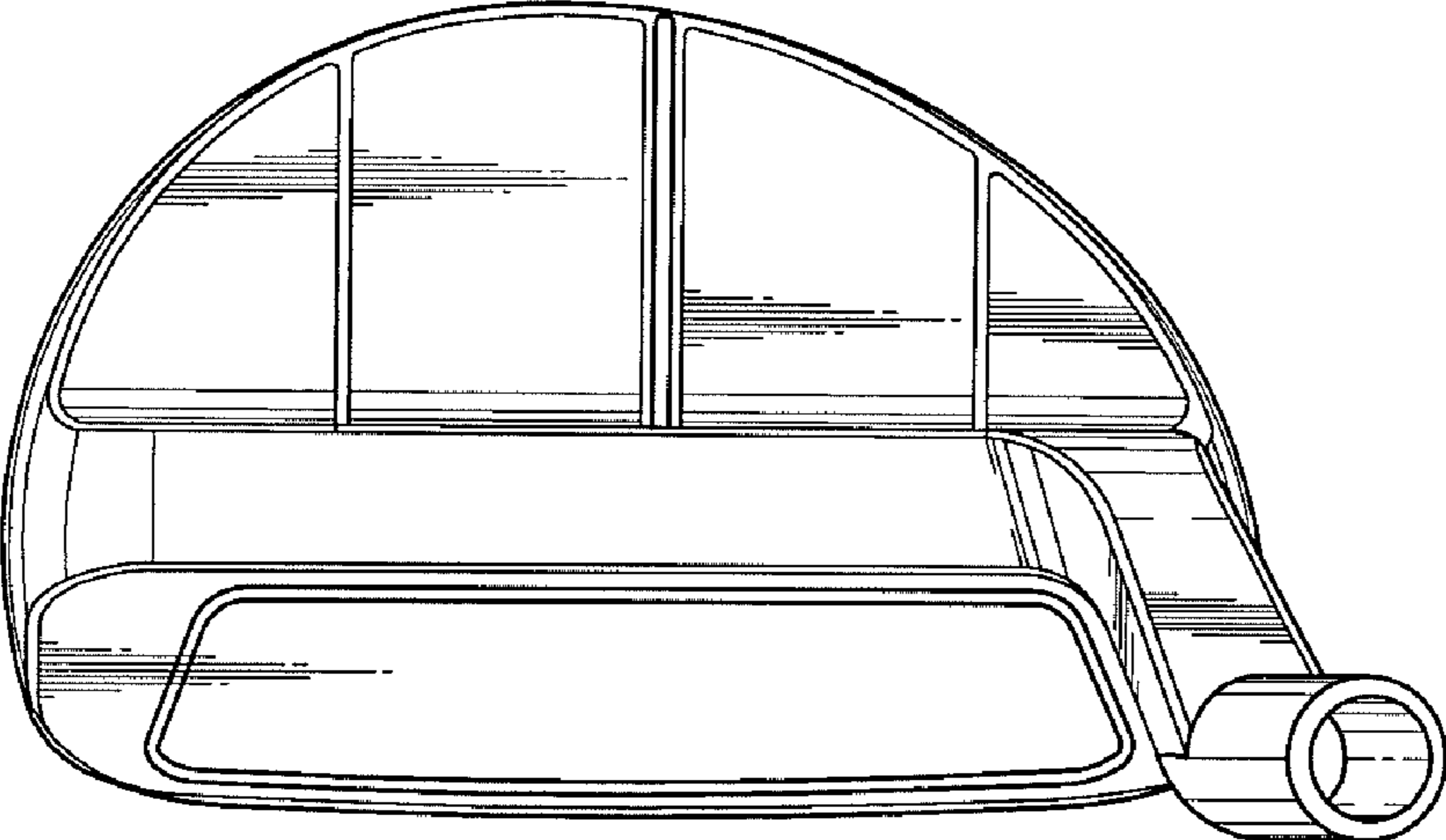


FIG. 2

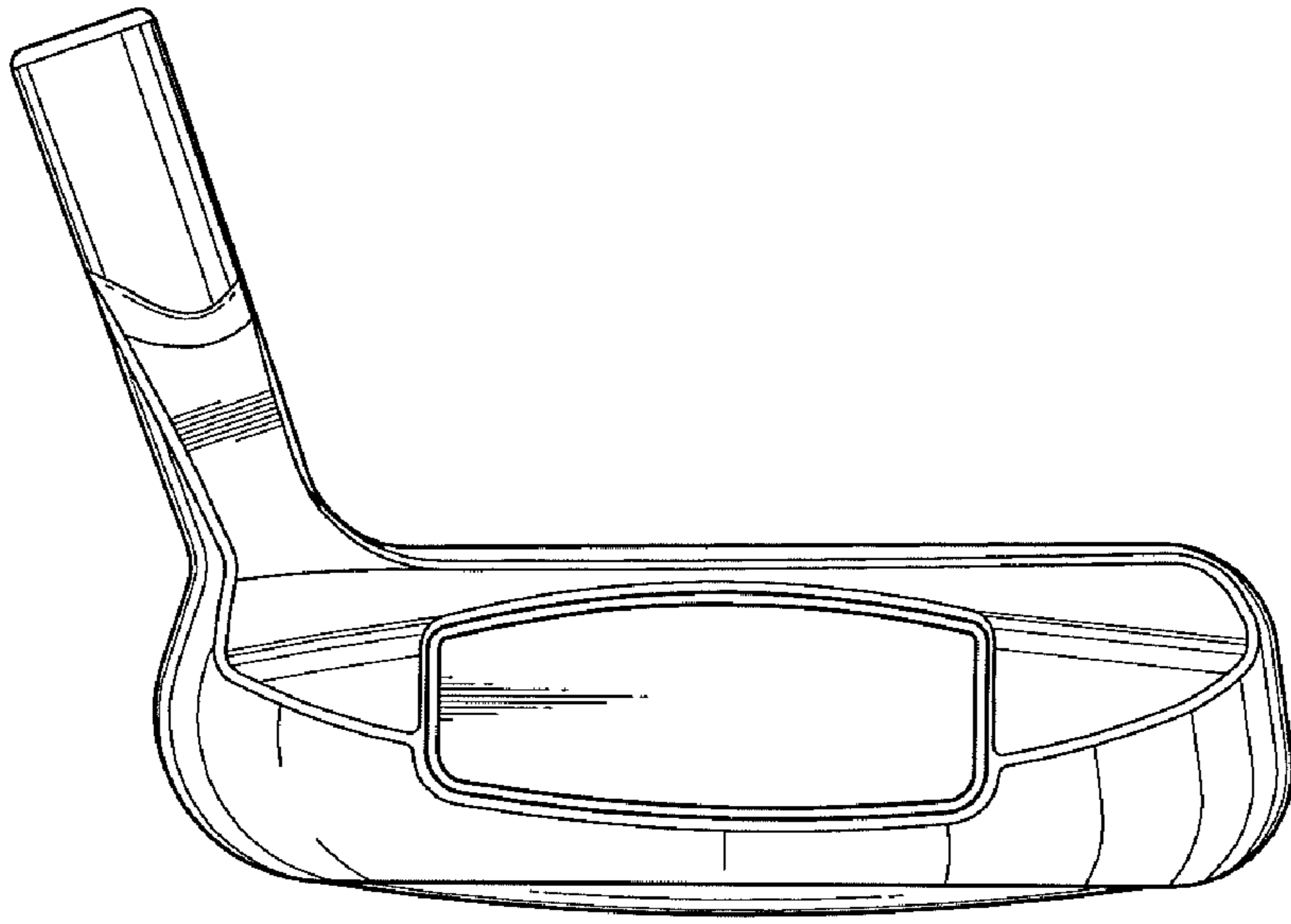


FIG. 3

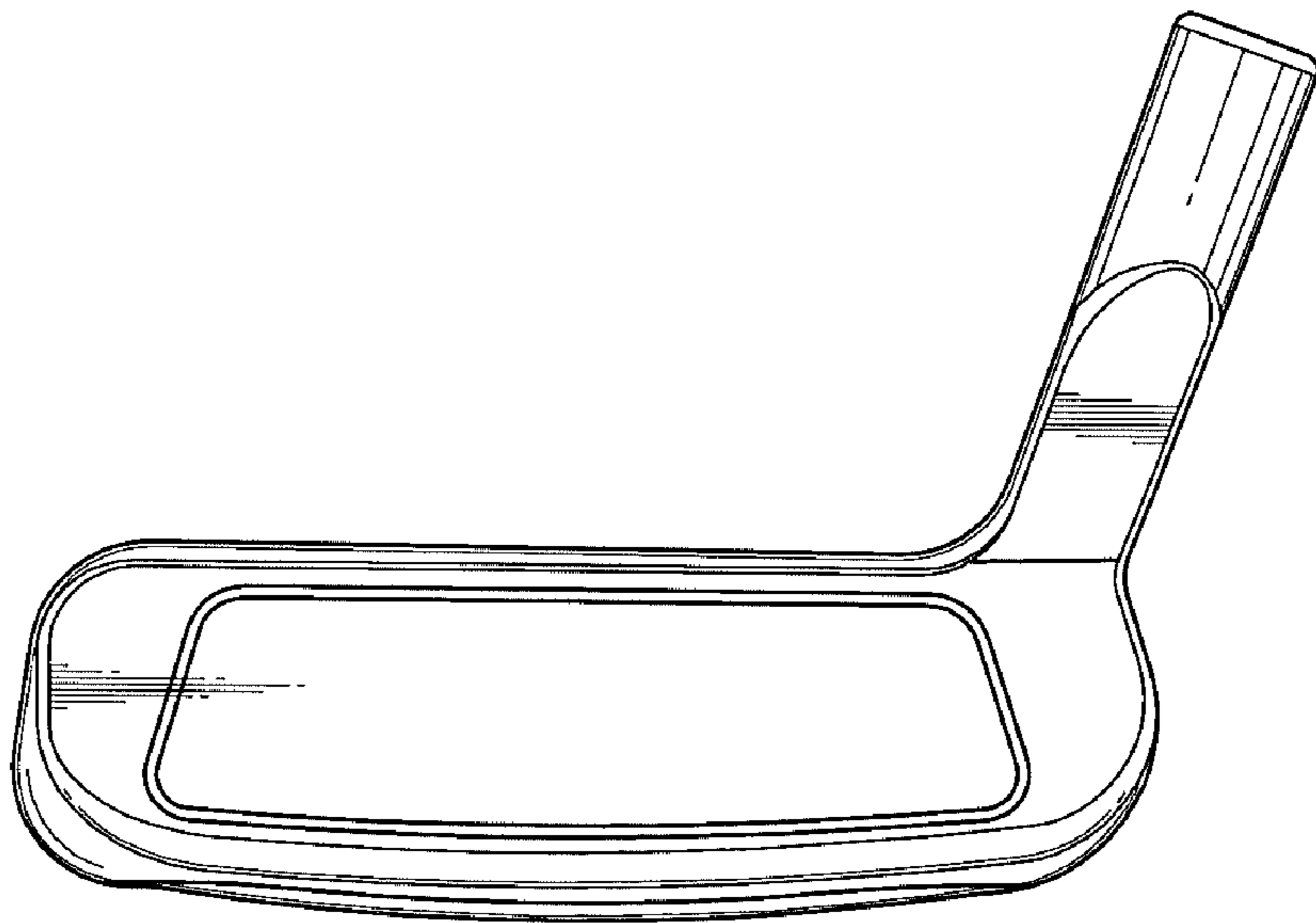


FIG. 4

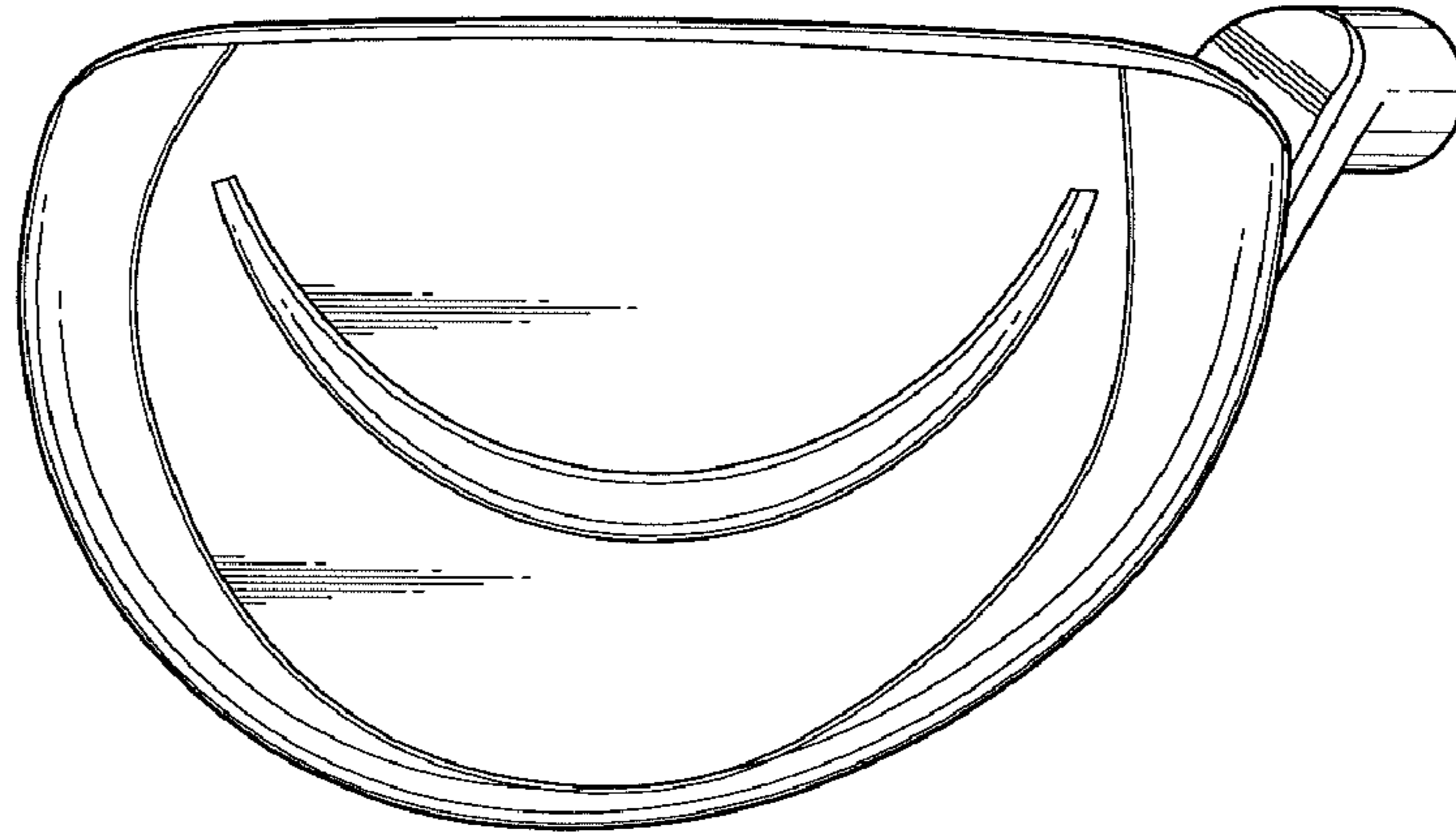


FIG. 5

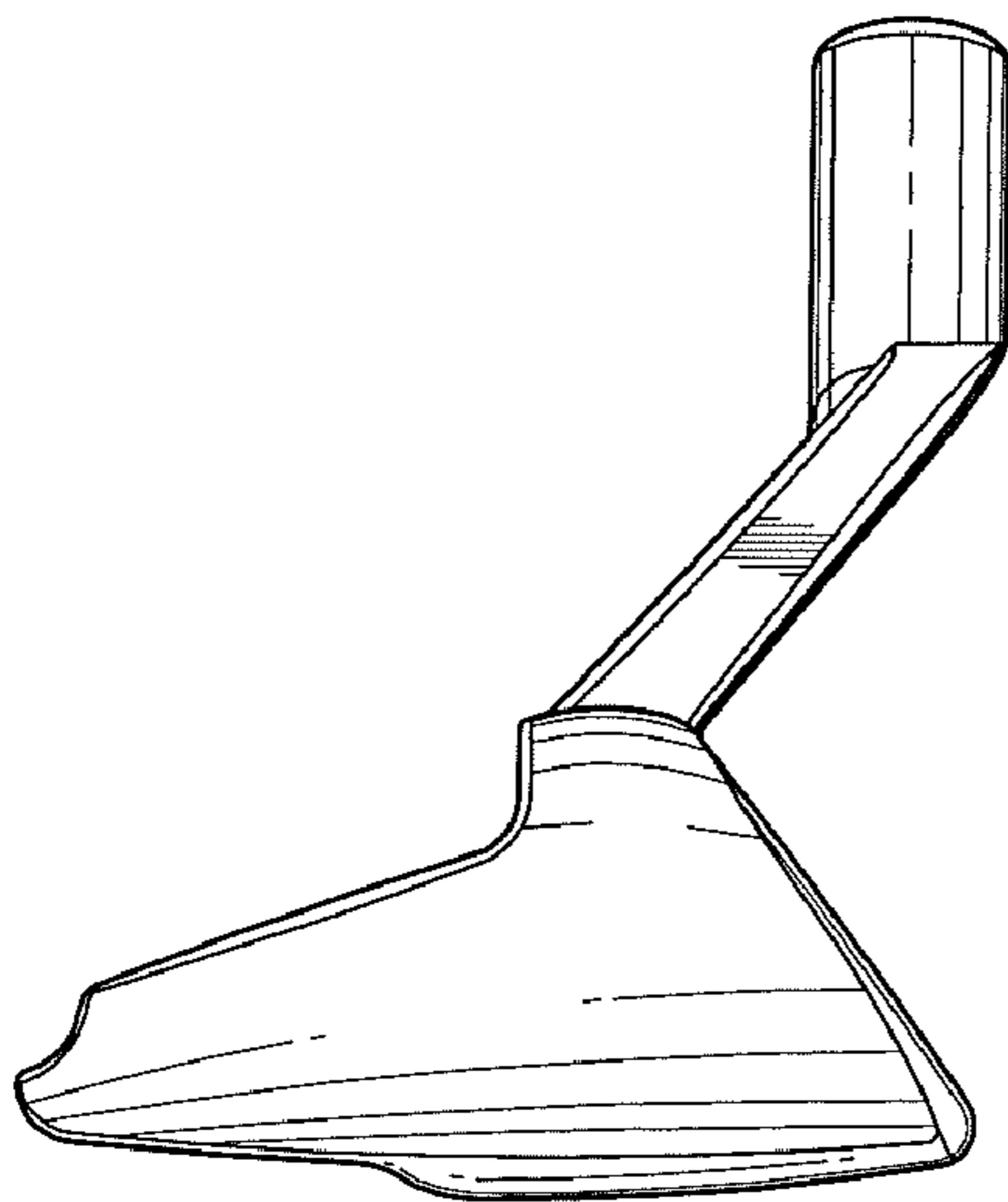


FIG. 6

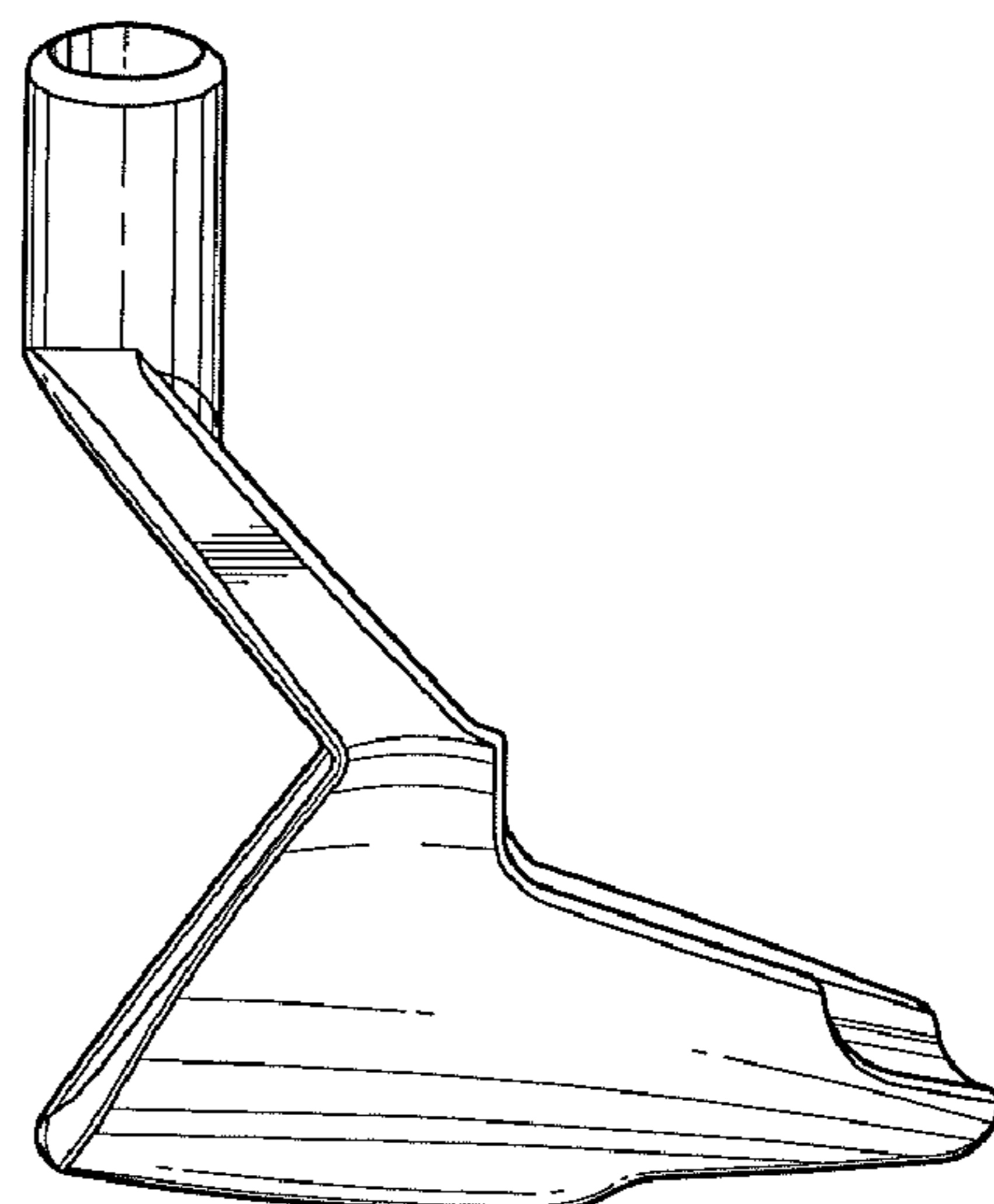


FIG. 7