



US00D629475S

(12) **United States Design Patent**
Rollinson

(10) **Patent No.:** **US D629,475 S**

(45) **Date of Patent:** **** *Dec. 21, 2010**

(54) **PUTTER HEAD**

(75) **Inventor:** **Augustin W. Rollinson**, Carlsbad, CA
(US)

(73) **Assignee:** **Callaway Golf Company**, Carlsbad, CA
(US)

(*) **Notice:** This patent is subject to a terminal disclaimer.

(**) **Term:** **14 Years**

(21) **Appl. No.:** **29/354,274**

(22) **Filed:** **Jan. 21, 2010**

(51) **LOC (9) Cl.** **21-02**

(52) **U.S. Cl.** **D21/736**

(58) **Field of Classification Search** D21/735-746,
D21/759; 473/324-331, 340-341, 251-256
See application file for complete search history.

(56) **References Cited**

U.S. PATENT DOCUMENTS

D455,467 S * 4/2002 Shenoha D21/736

D538,865 S * 3/2007 Cameron D21/736
D559,930 S * 1/2008 Cameron D21/746
D585,511 S * 1/2009 Cameron D21/743
2002/0123393 A1* 9/2002 Tang et al. 473/340

* cited by examiner

Primary Examiner—Mitchell I Siegel

(74) *Attorney, Agent, or Firm*—Michael A. Catania

(57) **CLAIM**

The ornamental design for a putter head, as shown and described.

DESCRIPTION

FIG. 1 is a top plan view of a putter head;

FIG. 2 is a bottom plan view thereof;

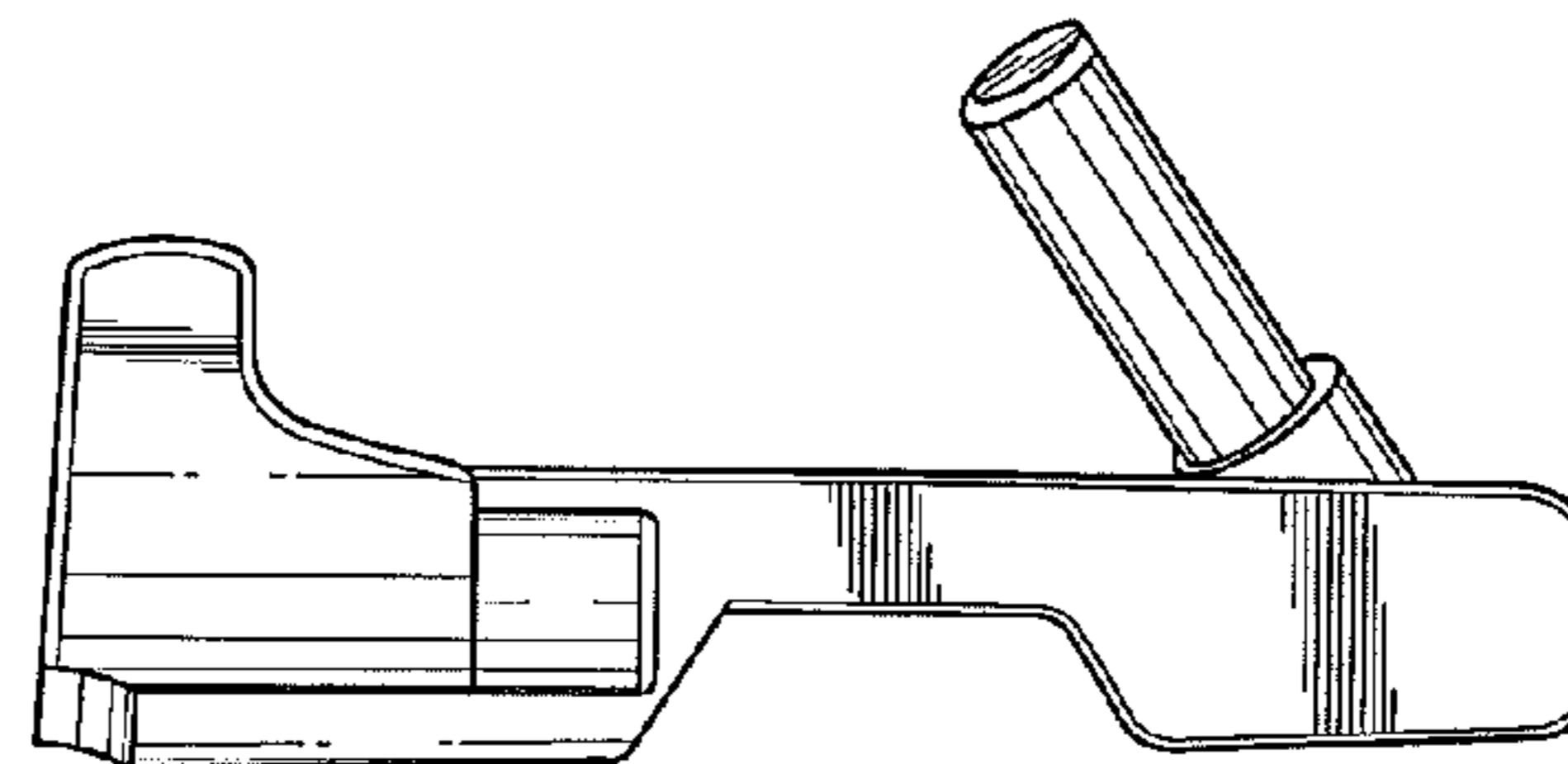
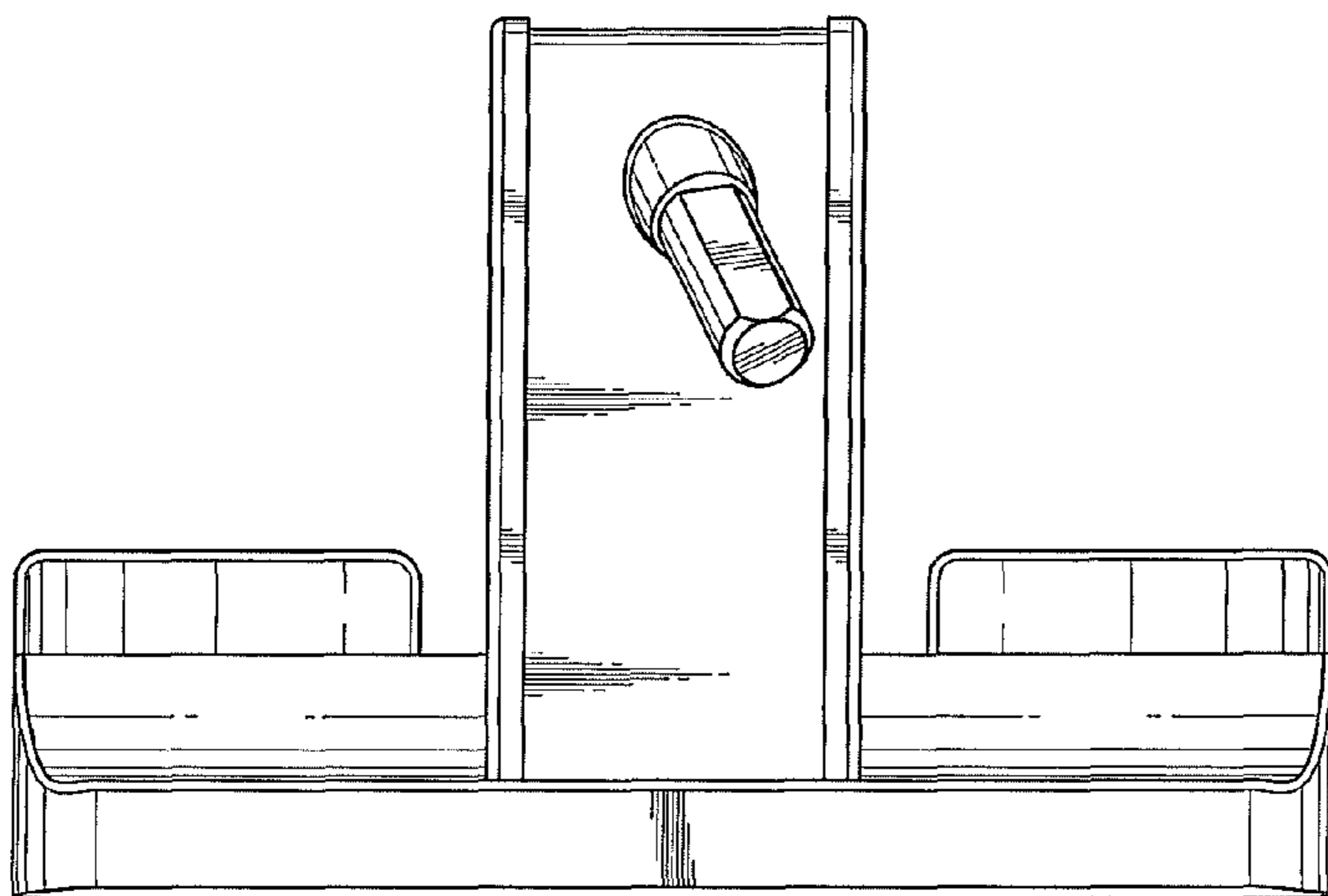
FIG. 3 is a front view thereof;

FIG. 4 is a rear perspective view thereof;

FIG. 5 is a toe perspective view thereof; and,

FIG. 6 is a heel perspective view thereof.

1 Claim, 3 Drawing Sheets



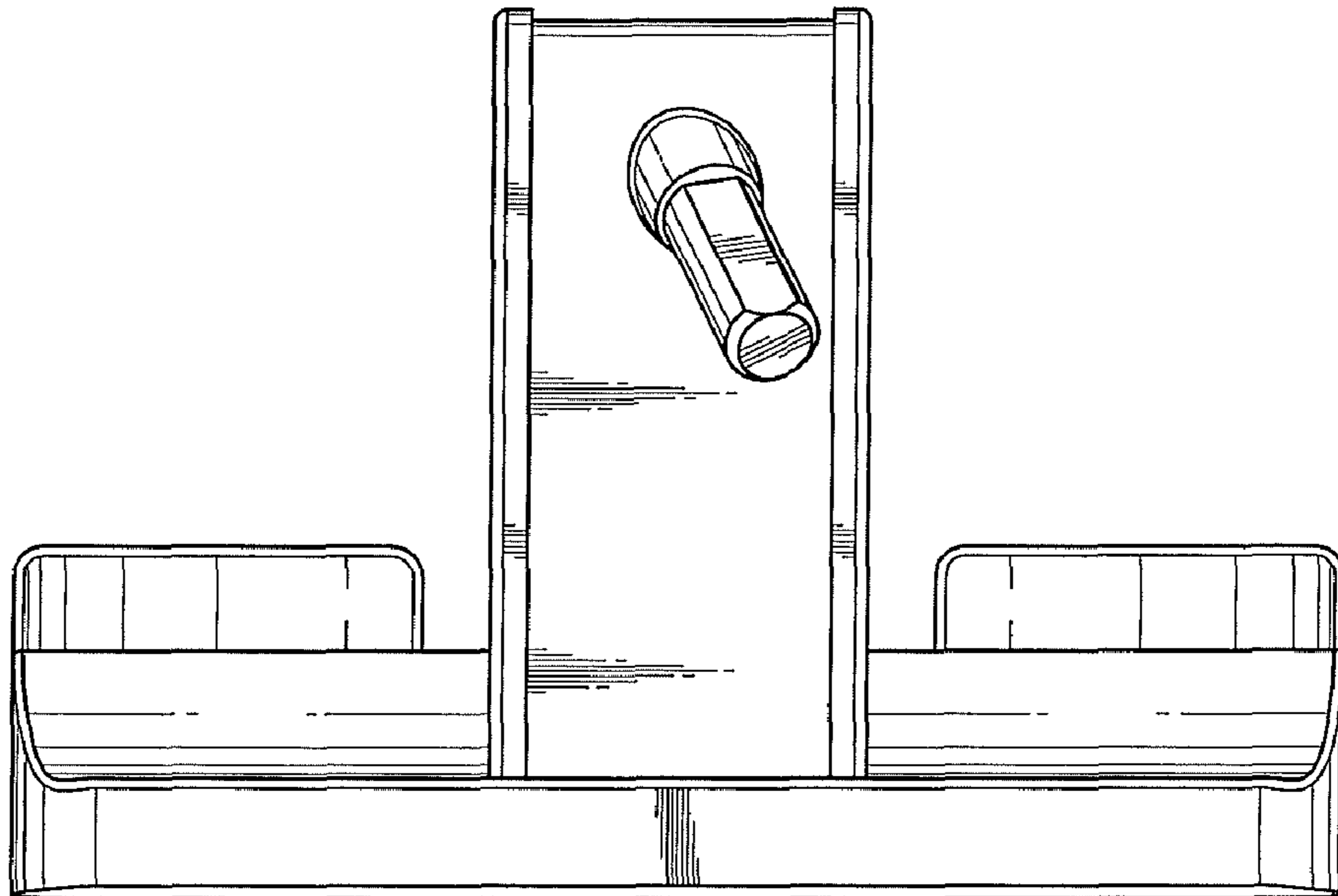


FIG. 1

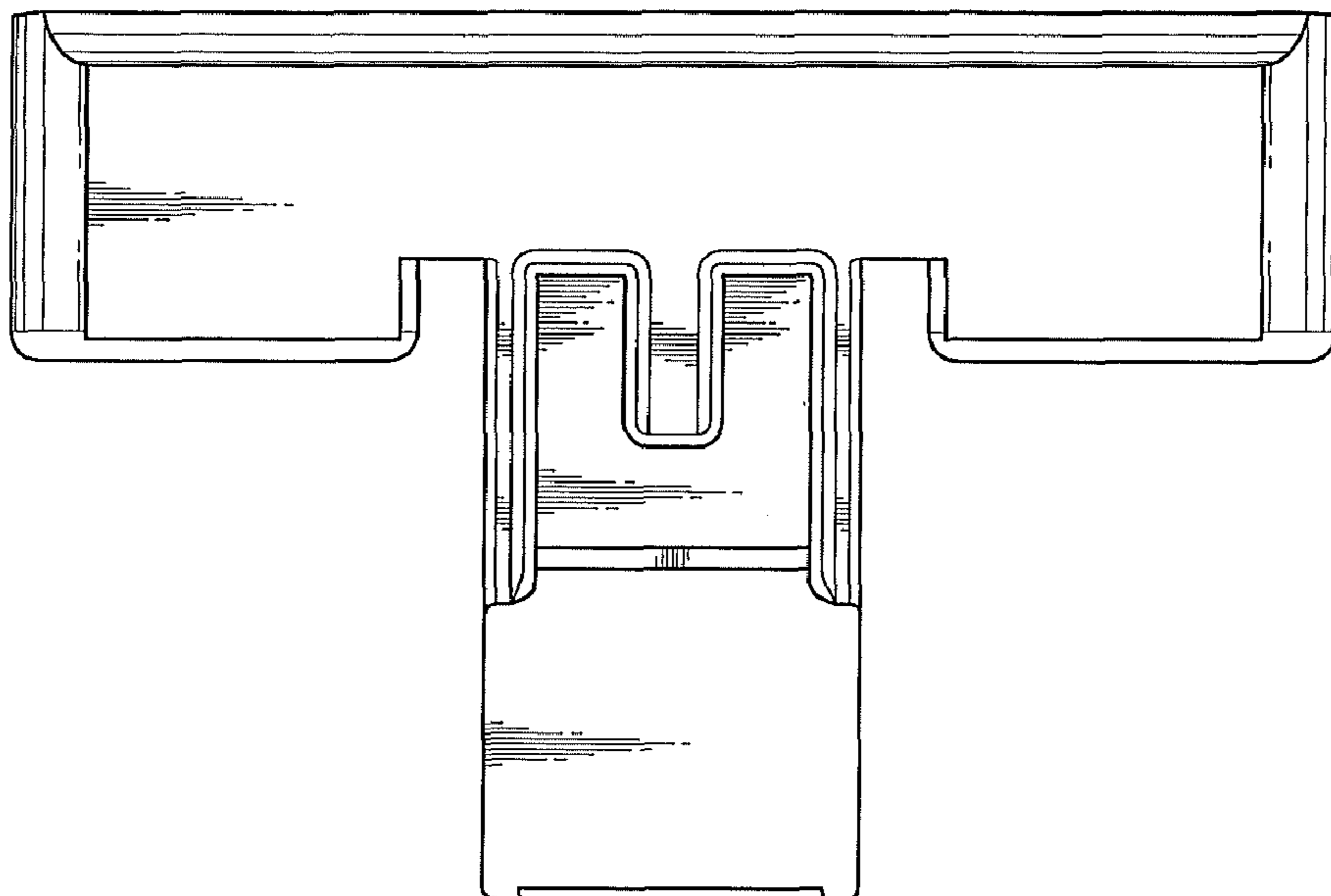


FIG. 2

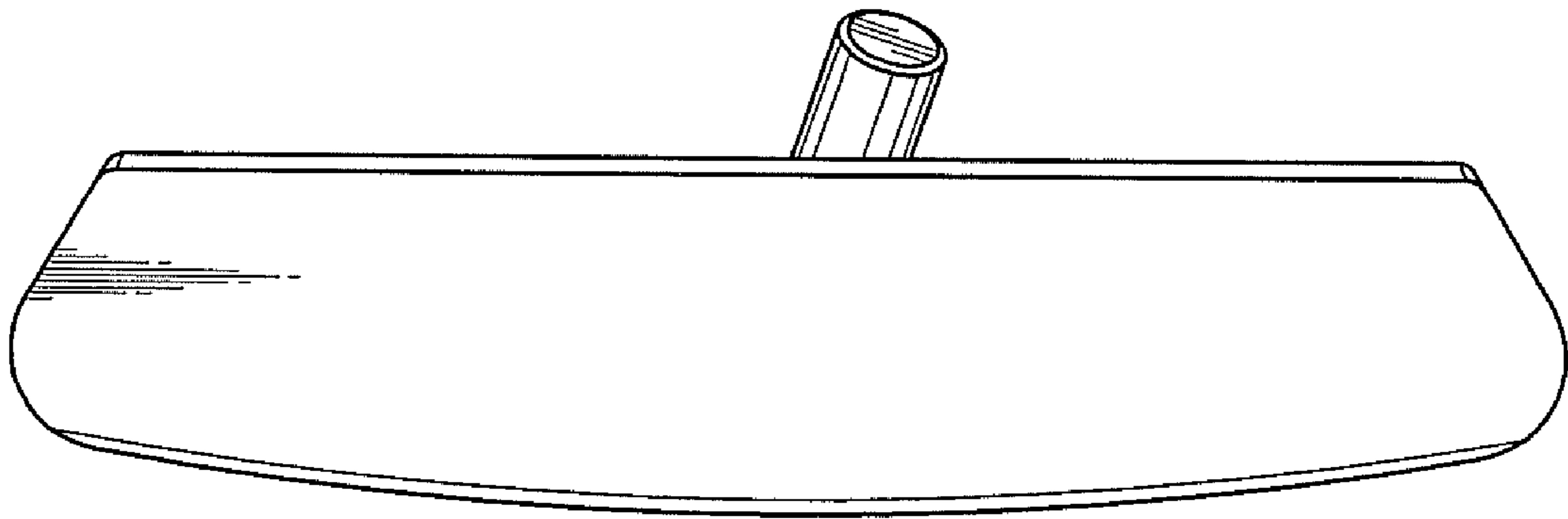


FIG. 3

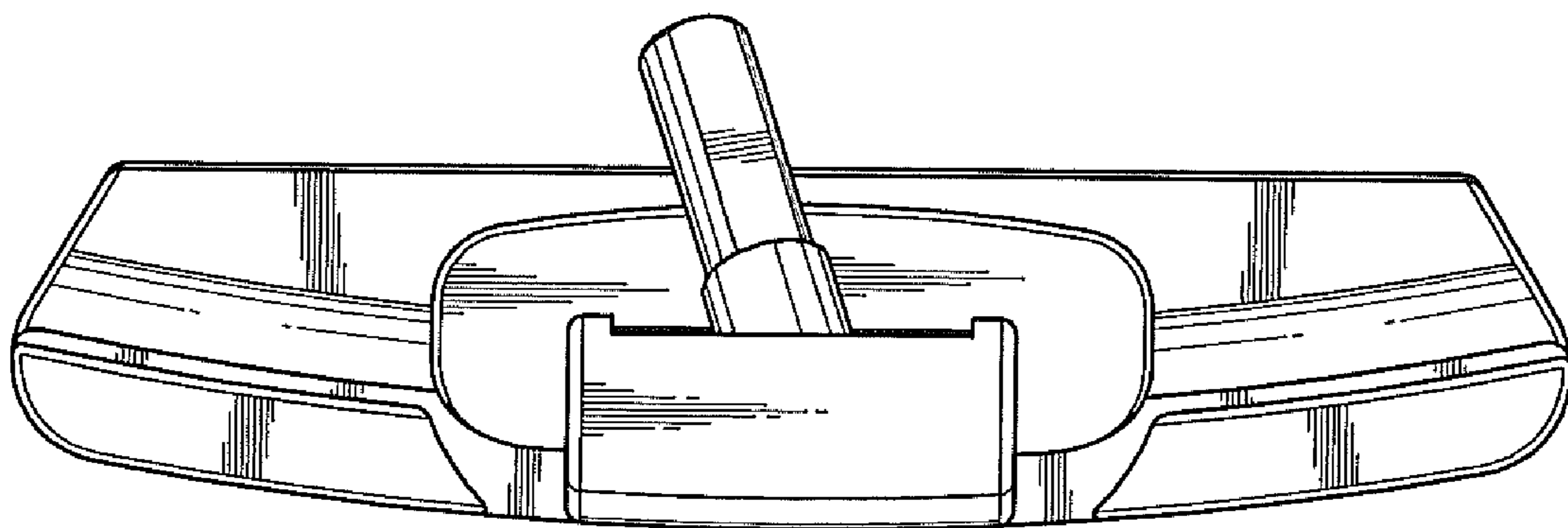


FIG. 4

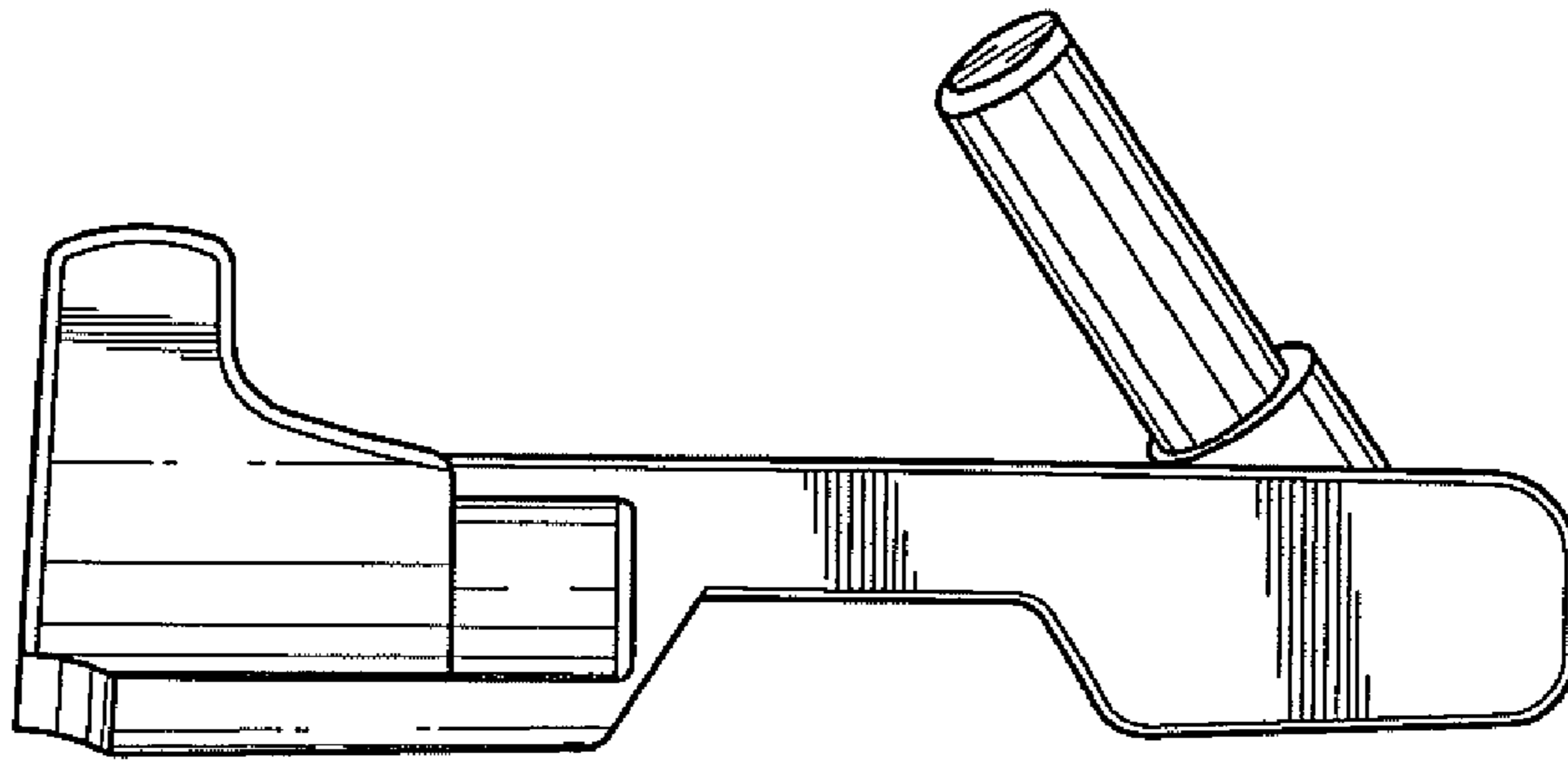


FIG. 5

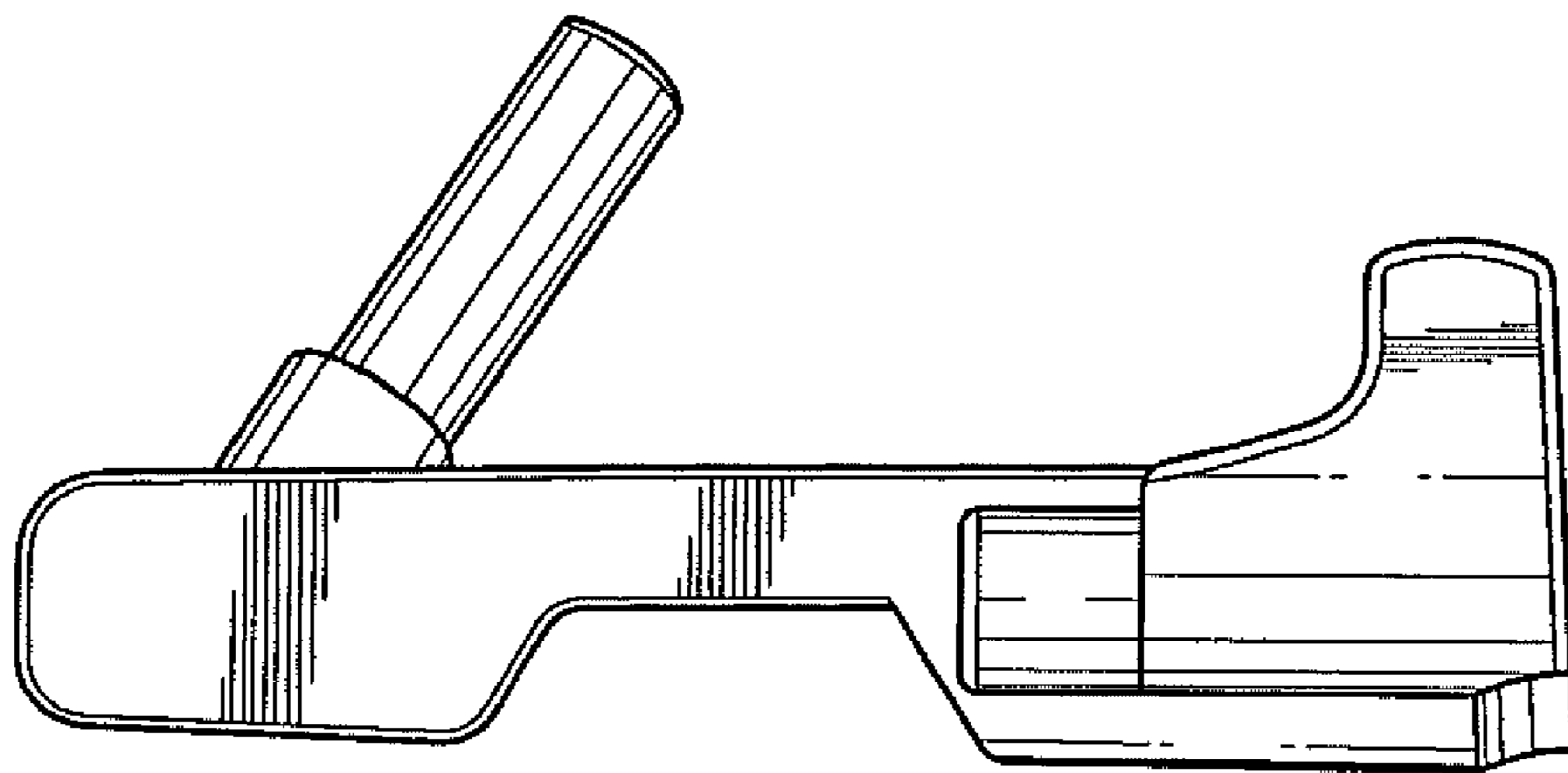


FIG. 6