



US00D629473S

(12) **United States Design Patent**  
**Paxton**

(10) **Patent No.:** **US D629,473 S**

(45) **Date of Patent:** **\*\* Dec. 21, 2010**

(54) **EXERCISING DEVICE**

(76) Inventor: **Daniel Frank Paxton**, 15/2 Geraldton Drive, Varsity Lakes, QLD (AU) 4227

(\*\*) Term: **14 Years**

(21) Appl. No.: **29/343,609**

(22) Filed: **Sep. 16, 2009**

(30) **Foreign Application Priority Data**

Mar. 20, 2009 (AU) ..... 10907/2009

(51) **LOC (9) Cl.** ..... **21-02**

(52) **U.S. Cl.** ..... **D21/689**

(58) **Field of Classification Search** ..... D21/662,  
D21/686, 688, 689, 694; 482/51, 71, 96,  
482/131-132, 140, 142, 146-147; 601/5,  
601/23, 33, 40, 127, 131

See application file for complete search history.

(56) **References Cited**

**U.S. PATENT DOCUMENTS**

- 3,021,137 A \* 2/1962 Palmer et al. .... 482/71
- 3,100,639 A \* 8/1963 Bonewitz ..... 482/147
- 3,575,412 A \* 4/1971 Arsenian et al. .... 482/71
- 4,026,279 A \* 5/1977 Simjian ..... 601/5
- 4,313,603 A \* 2/1982 Simjian ..... 482/147
- 4,391,441 A \* 7/1983 Simjian ..... 482/131
- D278,924 S \* 5/1985 Seel et al. .... D21/689
- 4,638,996 A \* 1/1987 Simjian ..... 482/147
- D349,931 S \* 8/1994 Bostic et al. .... D21/689
- D352,980 S \* 11/1994 Wu ..... D21/689

- D353,858 S \* 12/1994 Huang ..... D21/689
- D362,479 S \* 9/1995 Destasio, Jr. .... D21/688
- D380,508 S \* 7/1997 Chang ..... D21/688
- 5,879,276 A \* 3/1999 Miller ..... 482/146
- D415,224 S \* 10/1999 Broudy et al. .... D21/688
- D469,831 S \* 2/2003 Tuccillo ..... D21/689
- D489,423 S \* 5/2004 Fan et al. .... D21/688
- 6,875,159 B2 \* 4/2005 Chuang ..... 482/51
- 7,591,774 B1 \* 9/2009 Tien ..... 482/147
- 2008/0020915 A1 \* 1/2008 Pacheco et al. .... 482/146

\* cited by examiner

*Primary Examiner*—Susan E Krakower

(74) *Attorney, Agent, or Firm*—Shoemaker and Mattare

(57) **CLAIM**

The ornamental design for an exercising device, as shown and described.

**DESCRIPTION**

FIG. 1 is an isometric view from above and front of an exercising device showing my new design;

FIG. 2 is an isometric view of the exercising device from above and rear thereof;

FIG. 3 is a top plan view thereof;

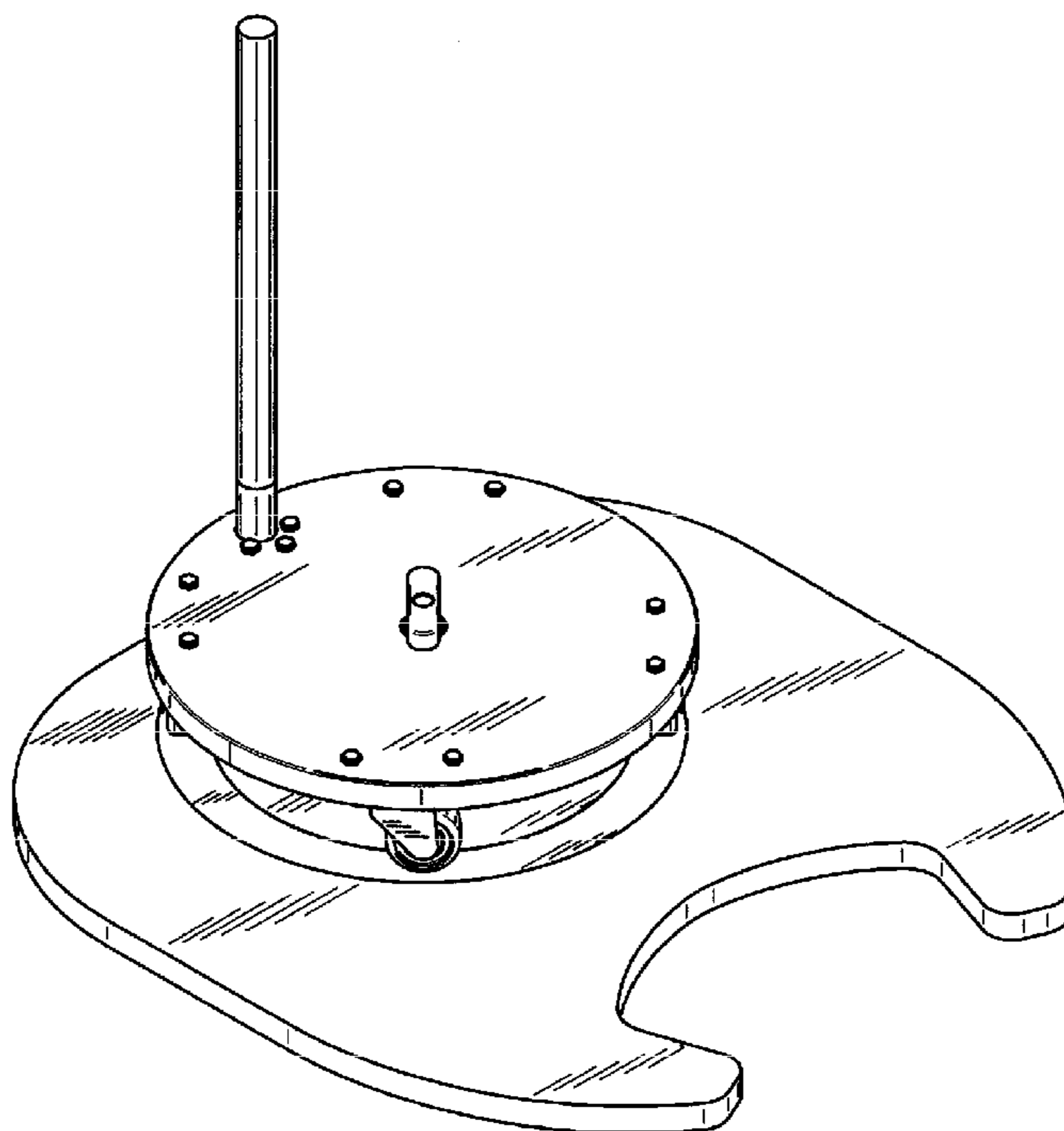
FIG. 4 is a side elevation view thereof, the opposite side being a mirror image thereof;

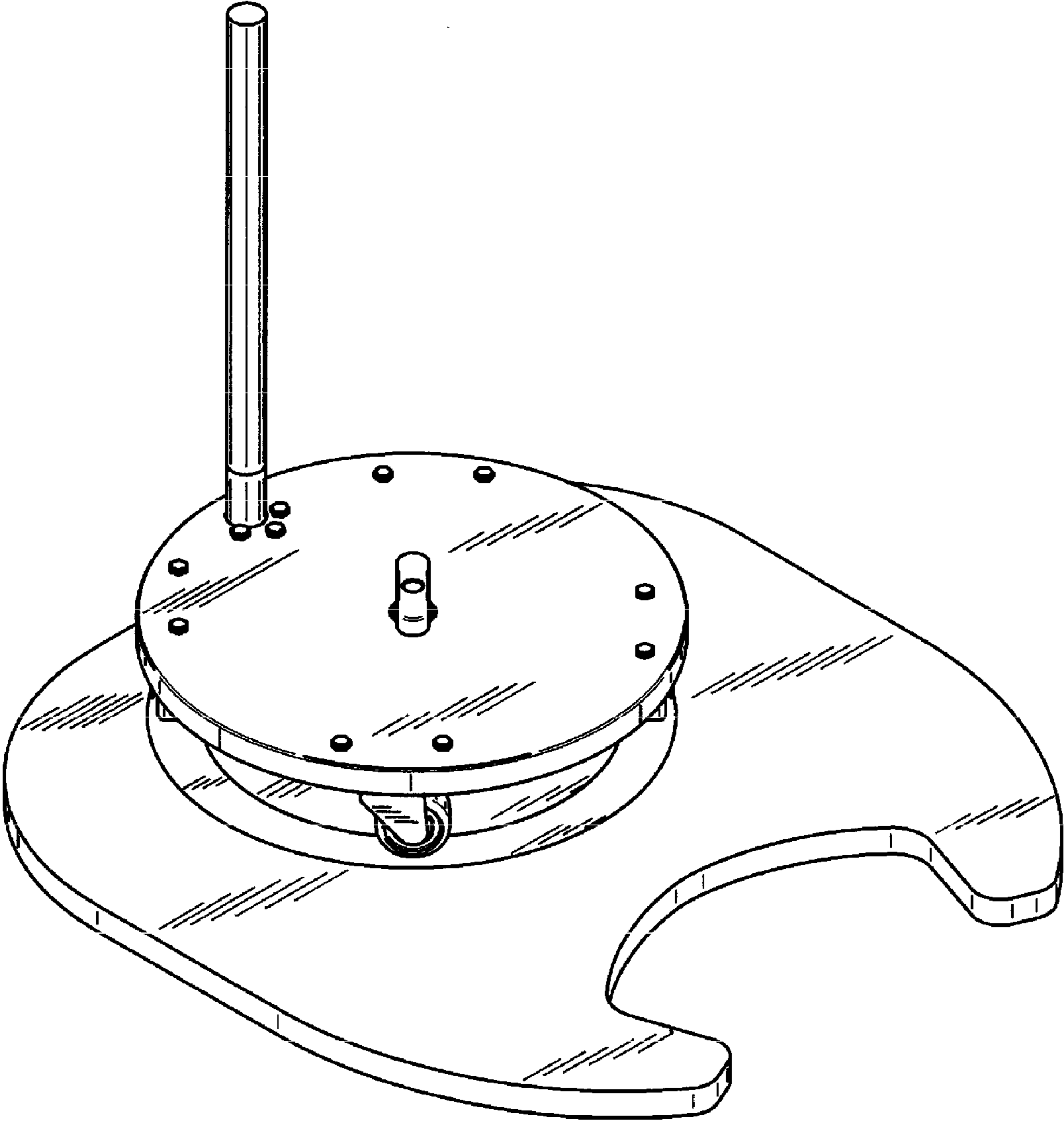
FIG. 5 is a front elevation view thereof; and,

FIG. 6 is a rear elevation view thereof.

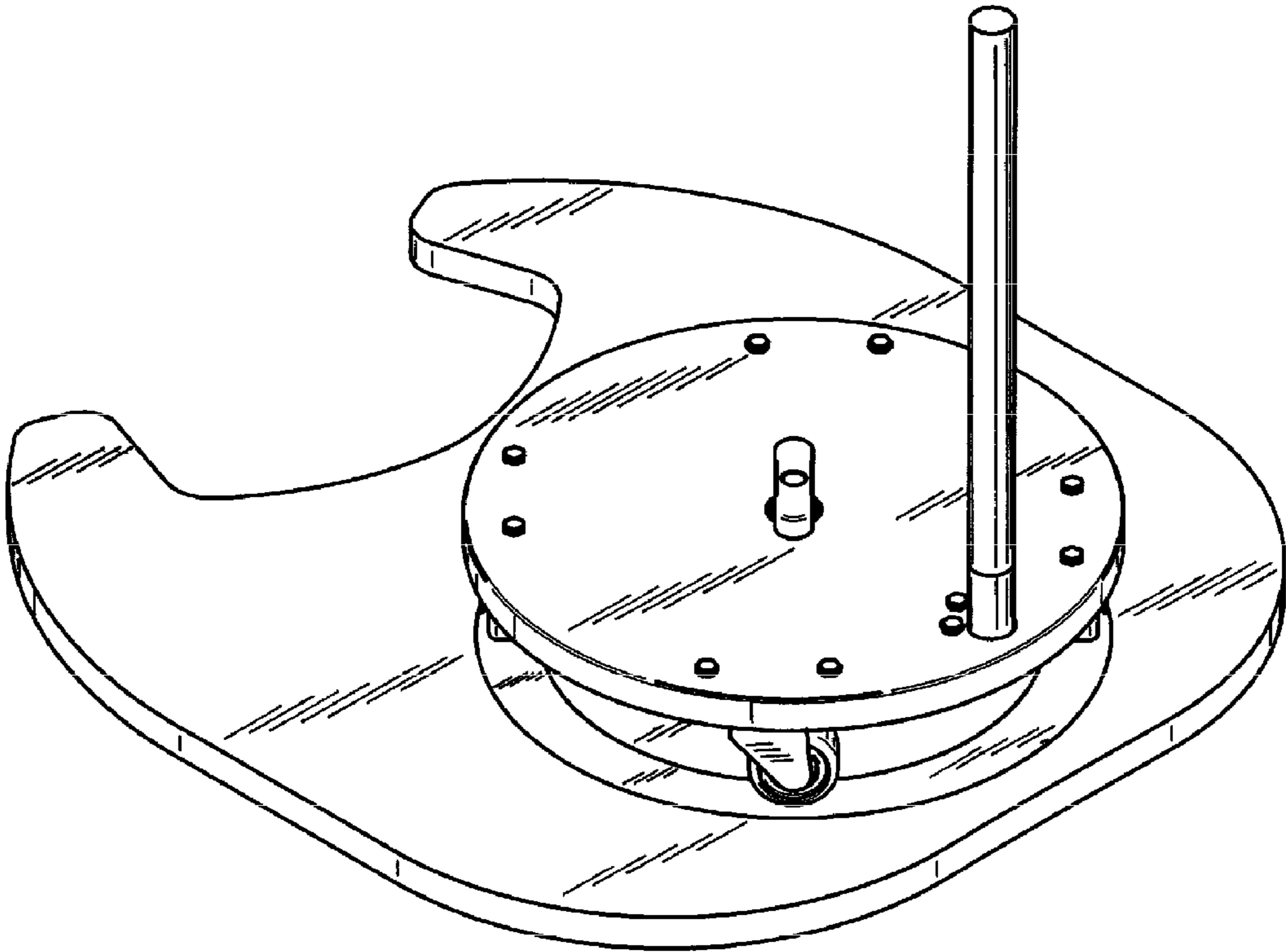
The bottom of the design is flat and unornamented.

**1 Claim, 4 Drawing Sheets**

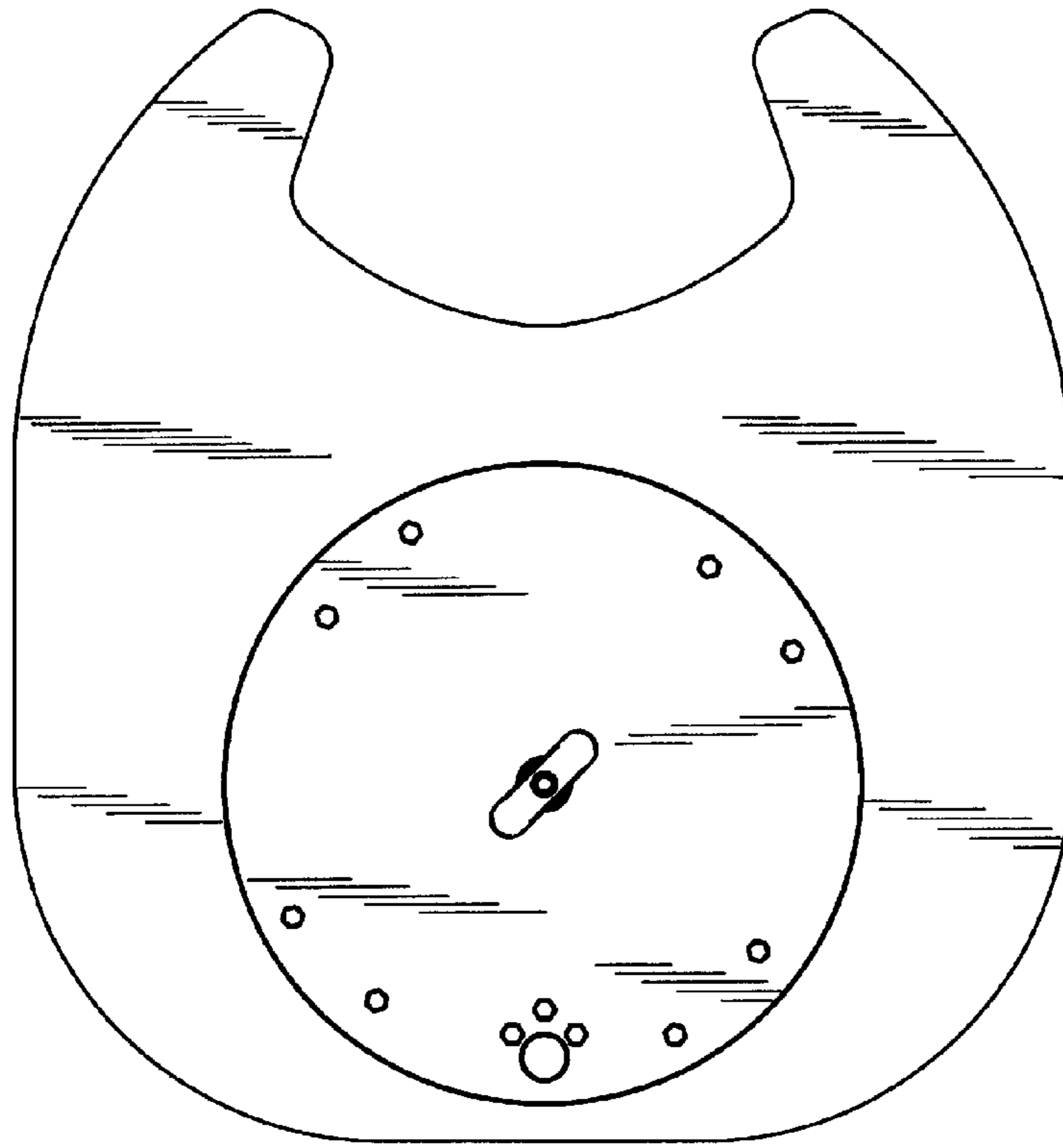




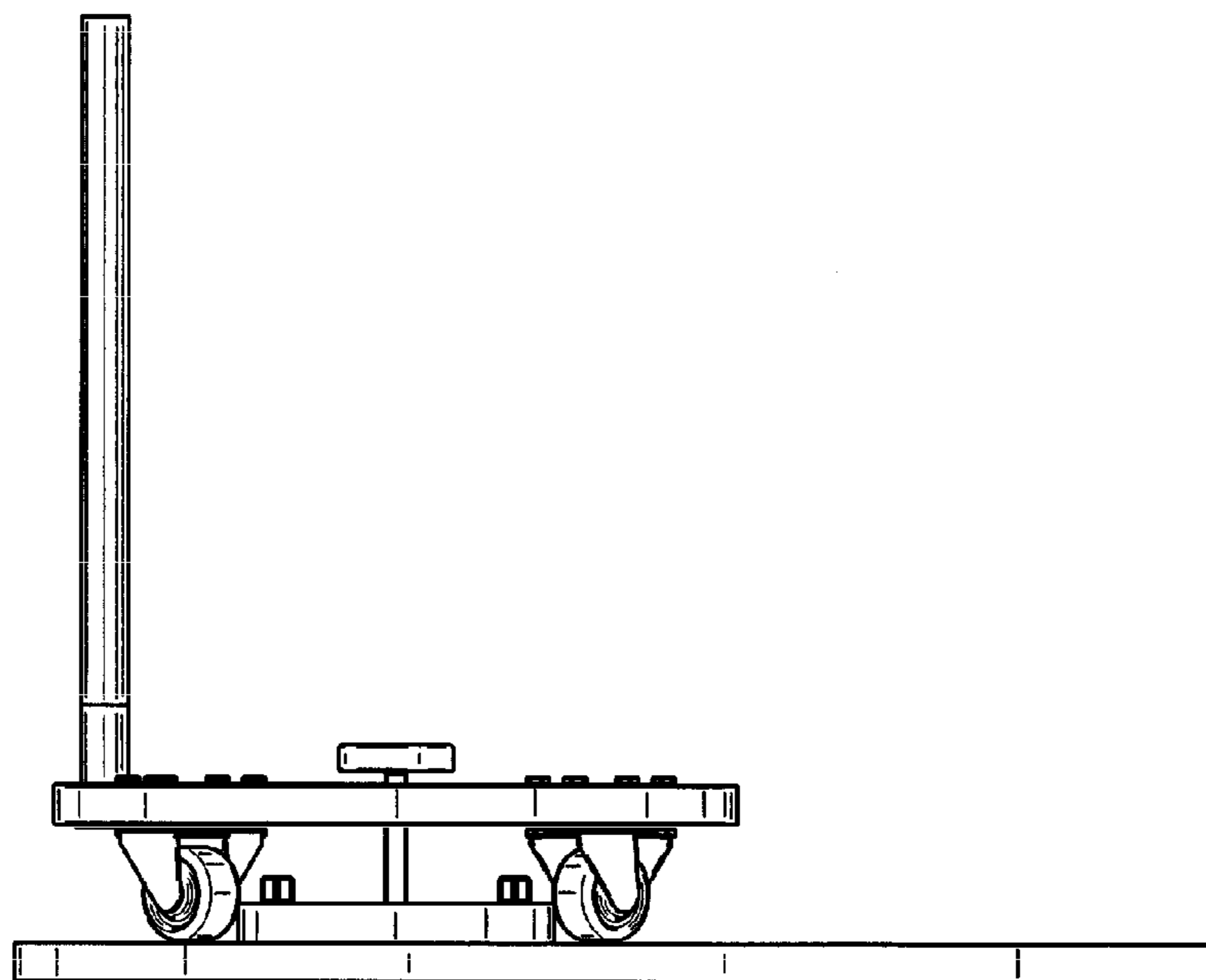
**FIG. 1**



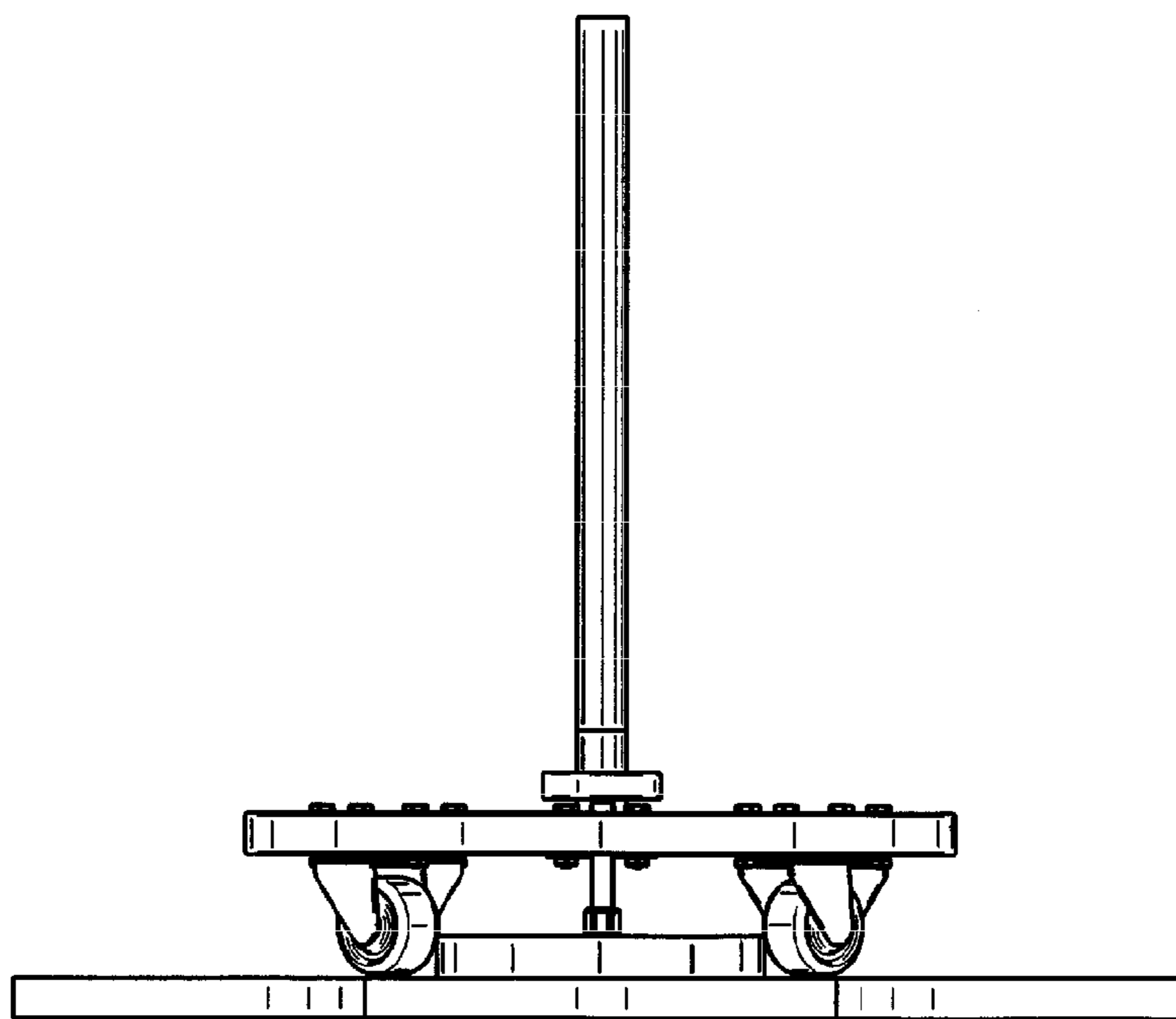
**FIG. 2**



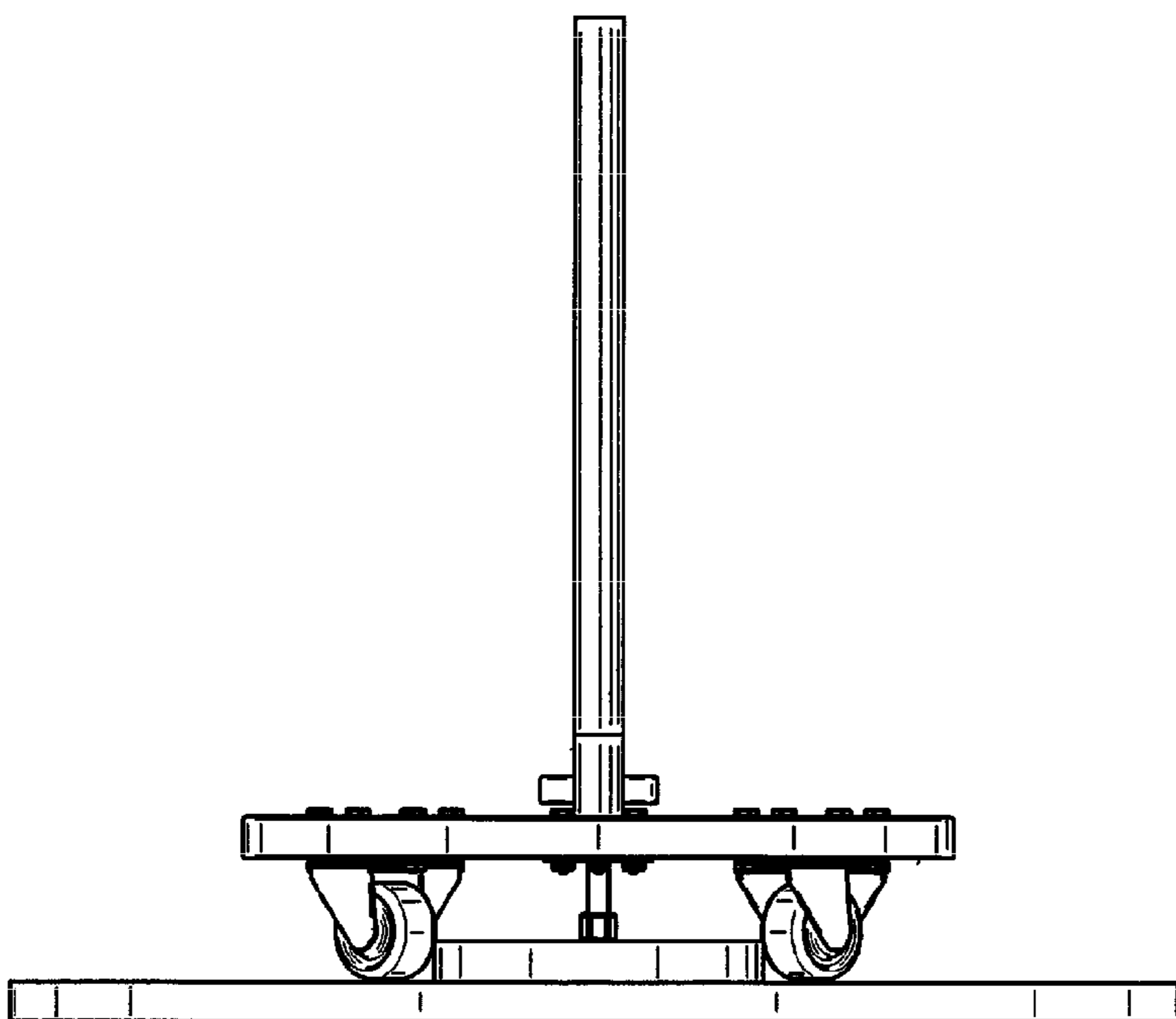
**FIG. 3**



**FIG. 4**



**FIG. 5**



**FIG. 6**