



US00D629472S

(12) **United States Design Patent**
Rhodes

(10) **Patent No.:** **US D629,472 S**
(45) **Date of Patent:** **** Dec. 21, 2010**

(54) **OCTAGON SHAPED CROSS-FITNESS TRAINER**

(76) **Inventor:** **Ronald Frank Rhodes**, 21293 N. Sally Dr., Maricopa, AZ (US) 85238

(**) **Term:** **14 Years**

(21) **Appl. No.:** **29/341,507**

(22) **Filed:** **Aug. 6, 2009**

(51) **LOC (9) Cl.** **21-02**

(52) **U.S. Cl.** **D21/686; D21/675**

(58) **Field of Classification Search** D21/662,
D21/673-676, 686, 690-691; 482/38, 83-84,
482/87, 98-100, 104, 140-142, 148
See application file for complete search history.

(56) **References Cited**

U.S. PATENT DOCUMENTS

D204,397	S *	4/1966	Marcyan et al.	D21/675
D262,813	S *	1/1982	Lambert et al.	D21/675
4,795,149	A *	1/1989	Pearson	482/98
5,092,590	A *	3/1992	Jones	482/100
5,184,992	A *	2/1993	Banks	482/104
5,221,243	A *	6/1993	Walker	482/83
5,360,383	A *	11/1994	Boren	482/10
7,699,756	B2 *	4/2010	Piane, Jr.	482/38

7,713,179	B2 *	5/2010	Webber	482/104
2005/0070408	A1 *	3/2005	Fallacaro	482/148
2007/0032357	A1 *	2/2007	Piane, Jr.	482/142
2010/0227743	A1 *	9/2010	Jutte	482/87

* cited by examiner

Primary Examiner—Susan E Krakower

(74) *Attorney, Agent, or Firm*—QuickPatents, Inc.; Kevin Prince

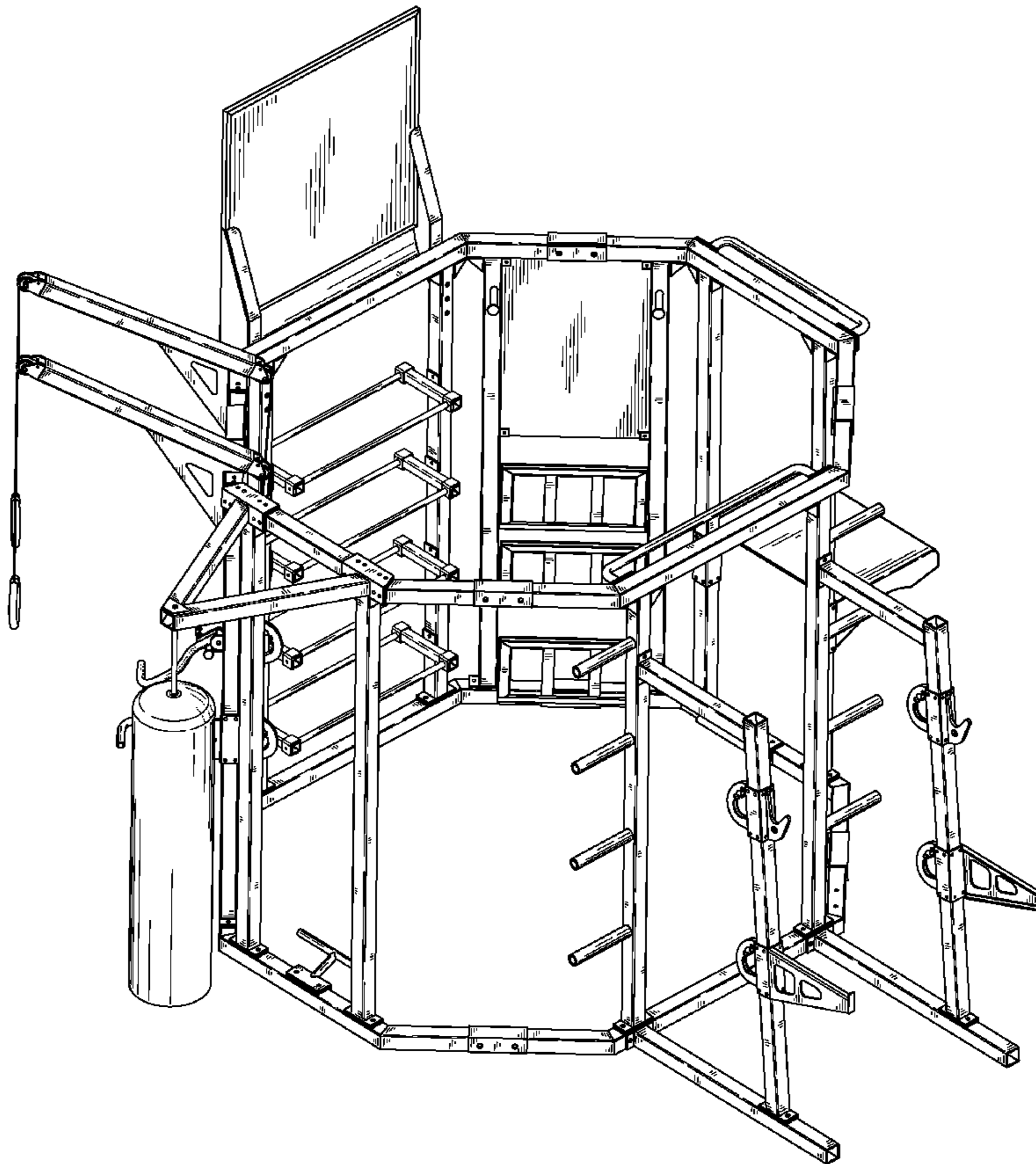
(57) **CLAIM**

I claim the ornamental design for a octagon shaped cross-fitness trainer, as shown and described.

DESCRIPTION

FIG. 1 is a front perspective view of a octagon shaped cross-fitness trainer, showing my new design;
FIG. 2 is a rear perspective view thereof;
FIG. 3 is a front elevational view thereof
FIG. 4 is a rear elevational view thereof;
FIG. 5 is a left-side elevational view thereof;
FIG. 6 is a right-side elevational view thereof;
FIG. 7 is a top plan view thereof; and,
FIG. 8 is a bottom plan view thereof.

1 Claim, 8 Drawing Sheets



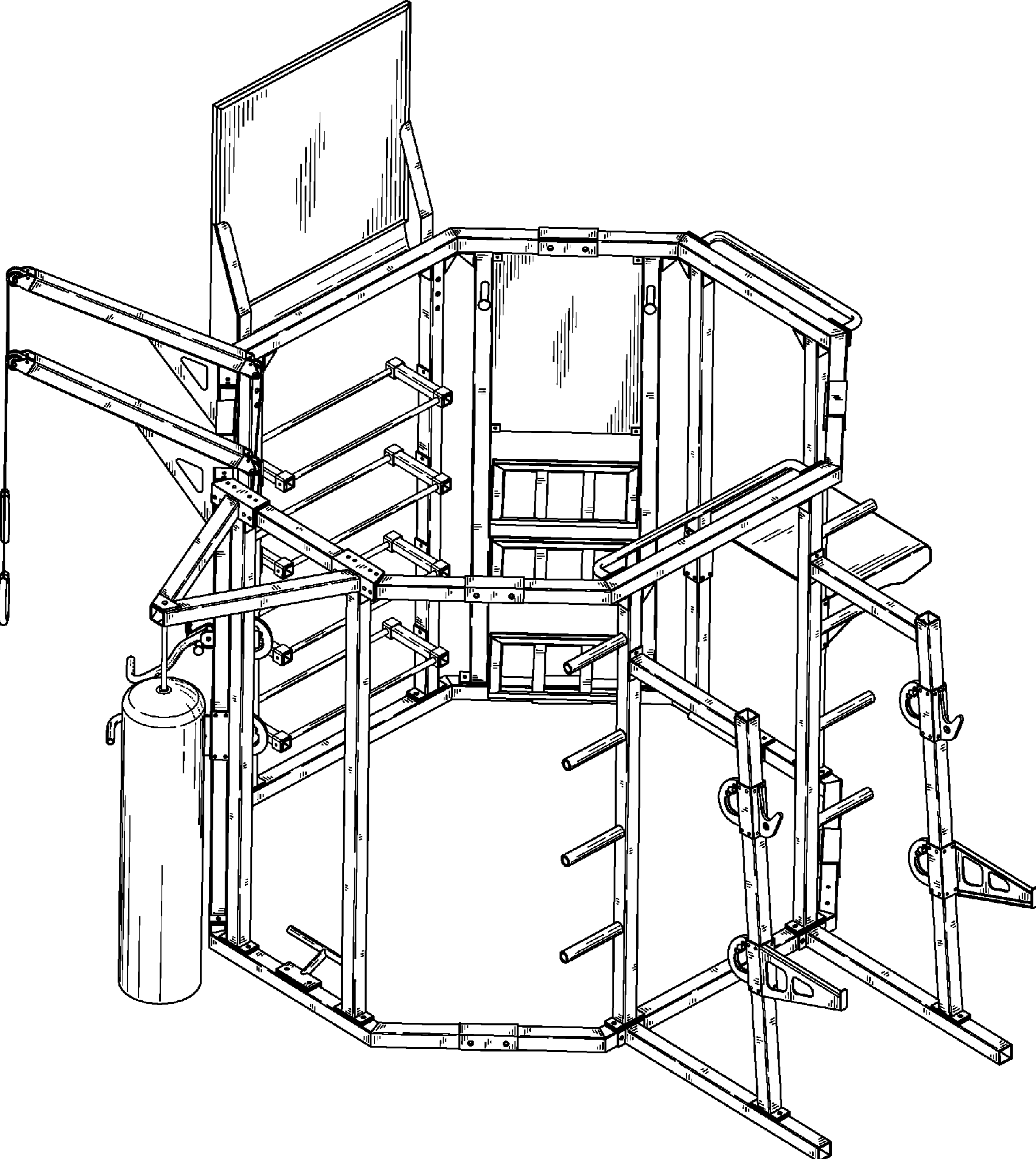


FIG. 1

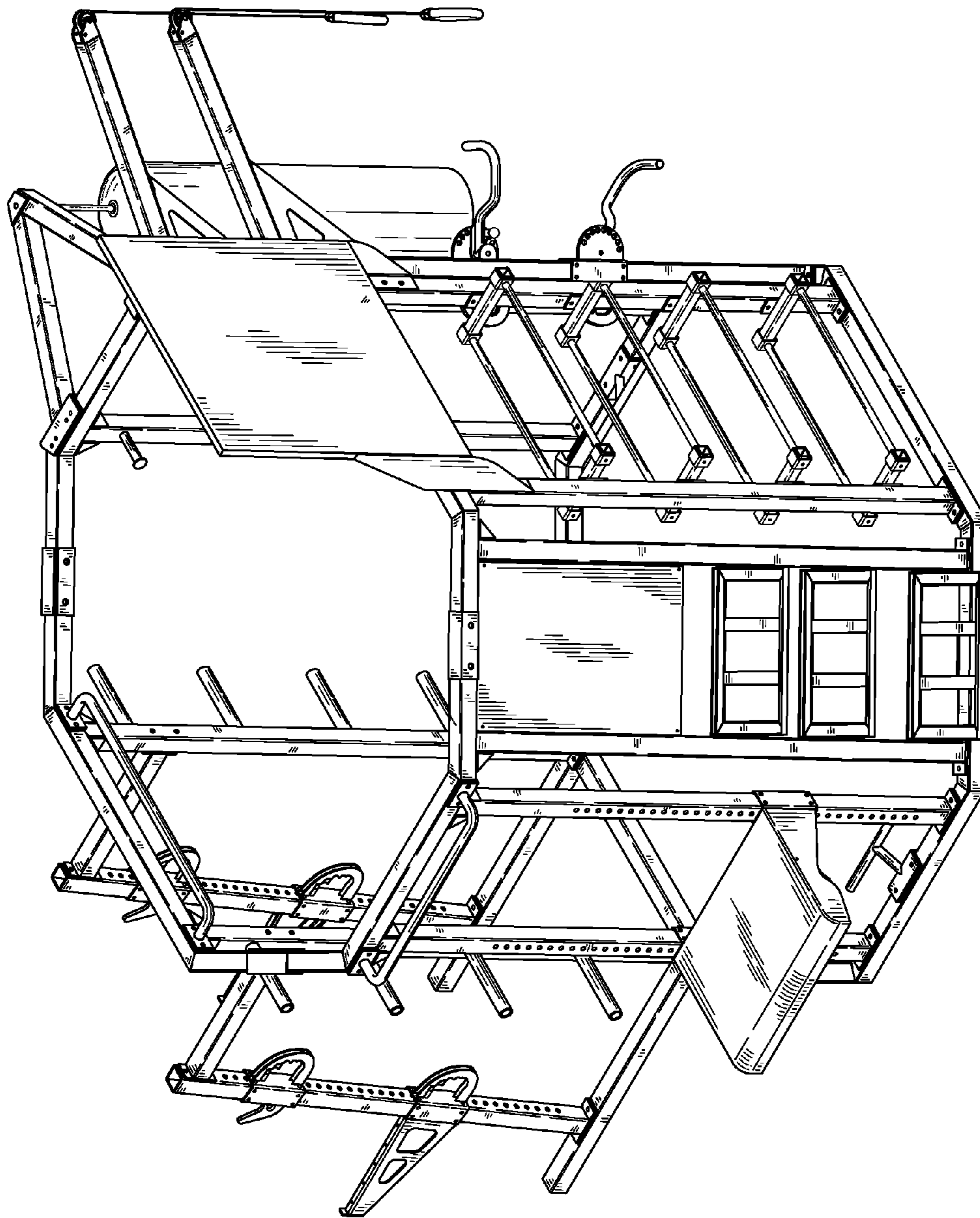


FIG. 2

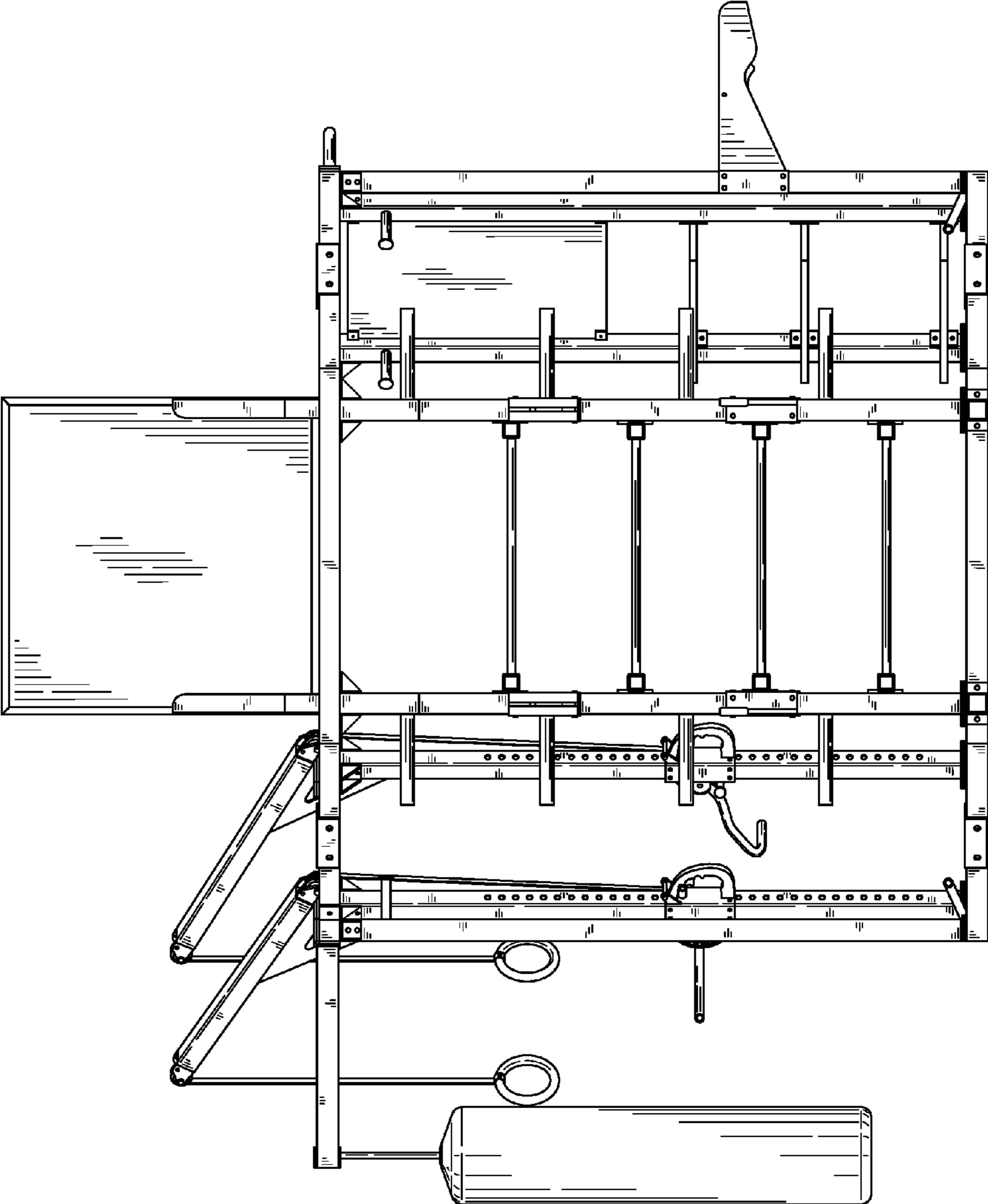


FIG. 3

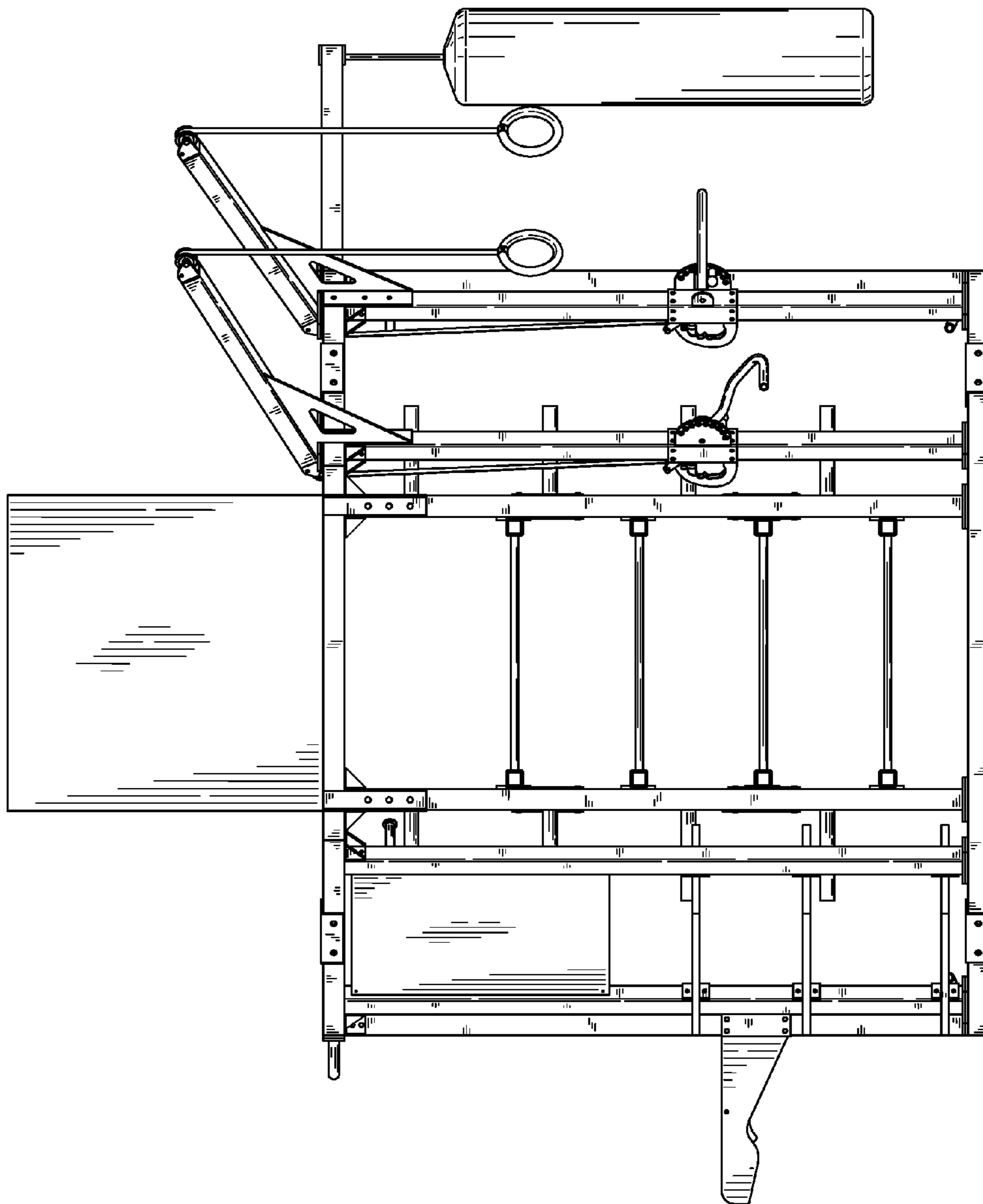


FIG. 4

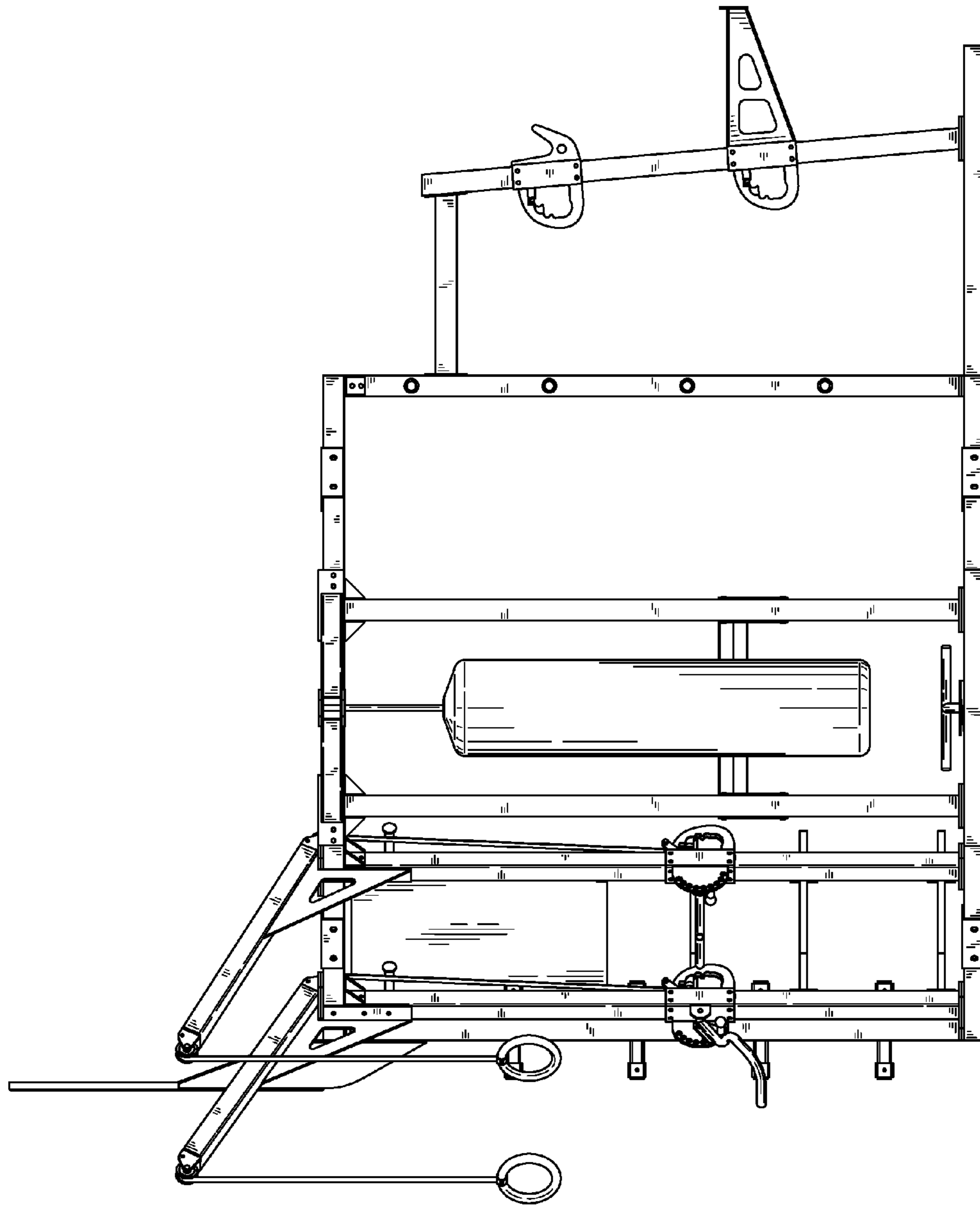


FIG. 5

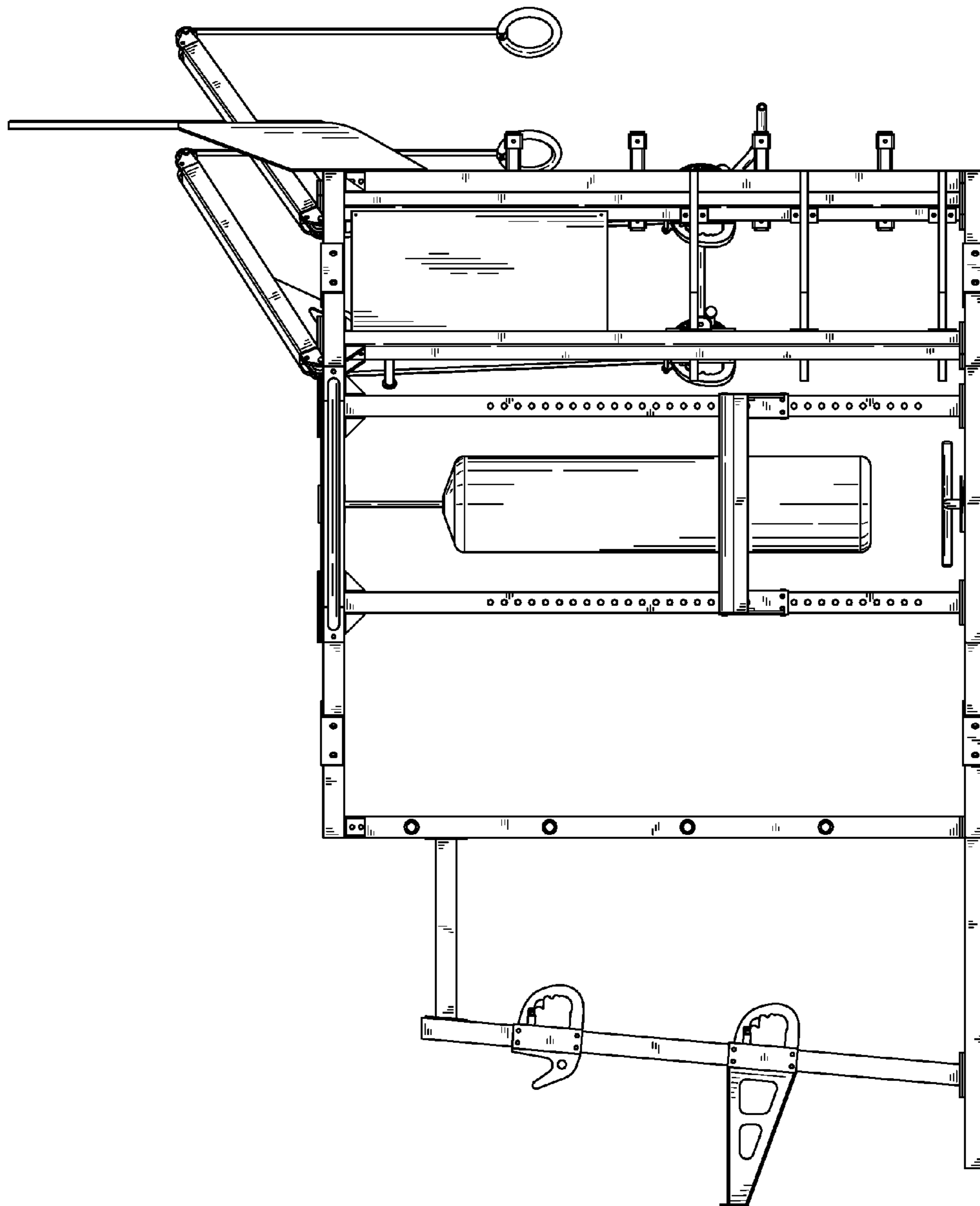


FIG. 6

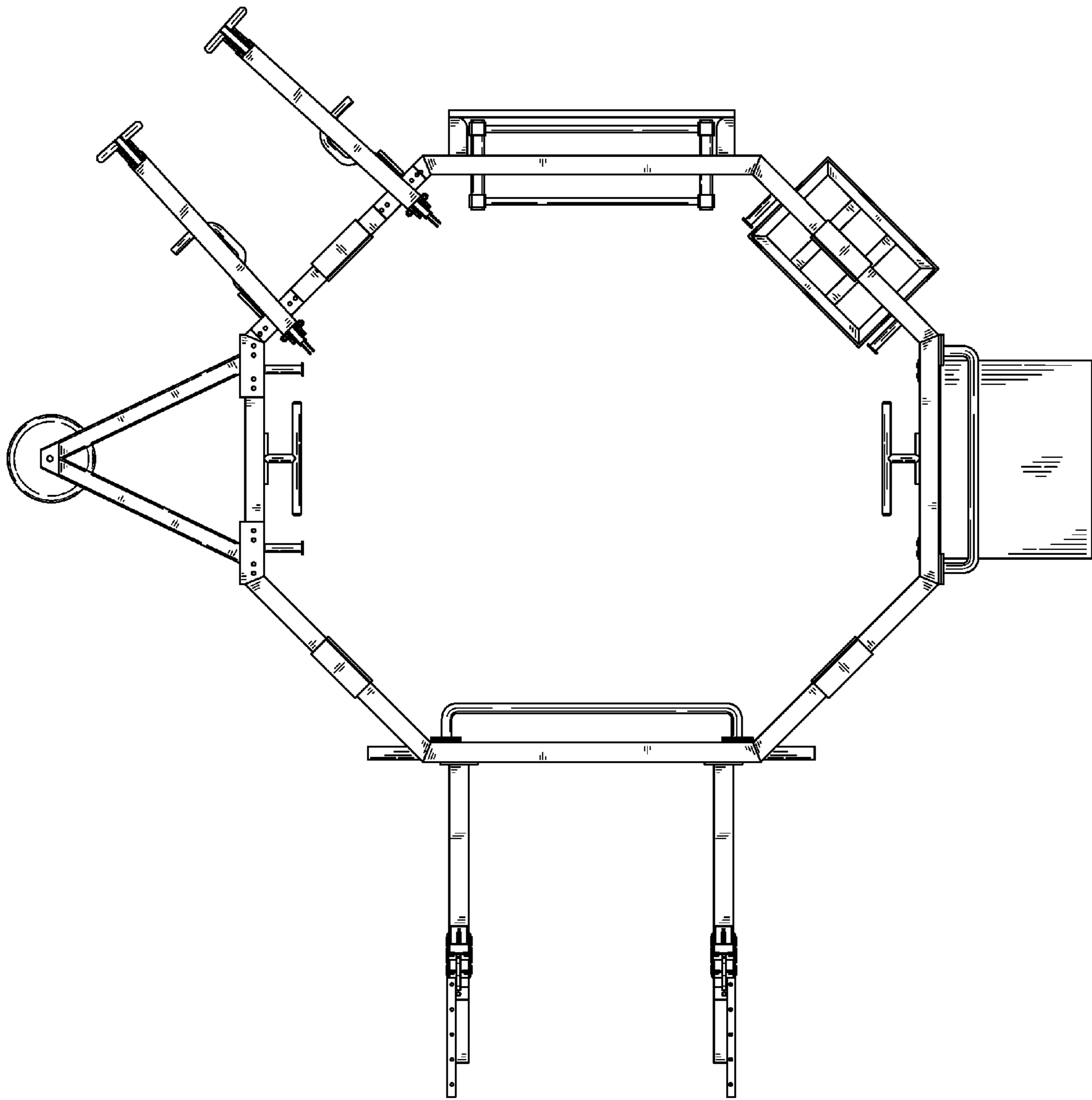


FIG. 7

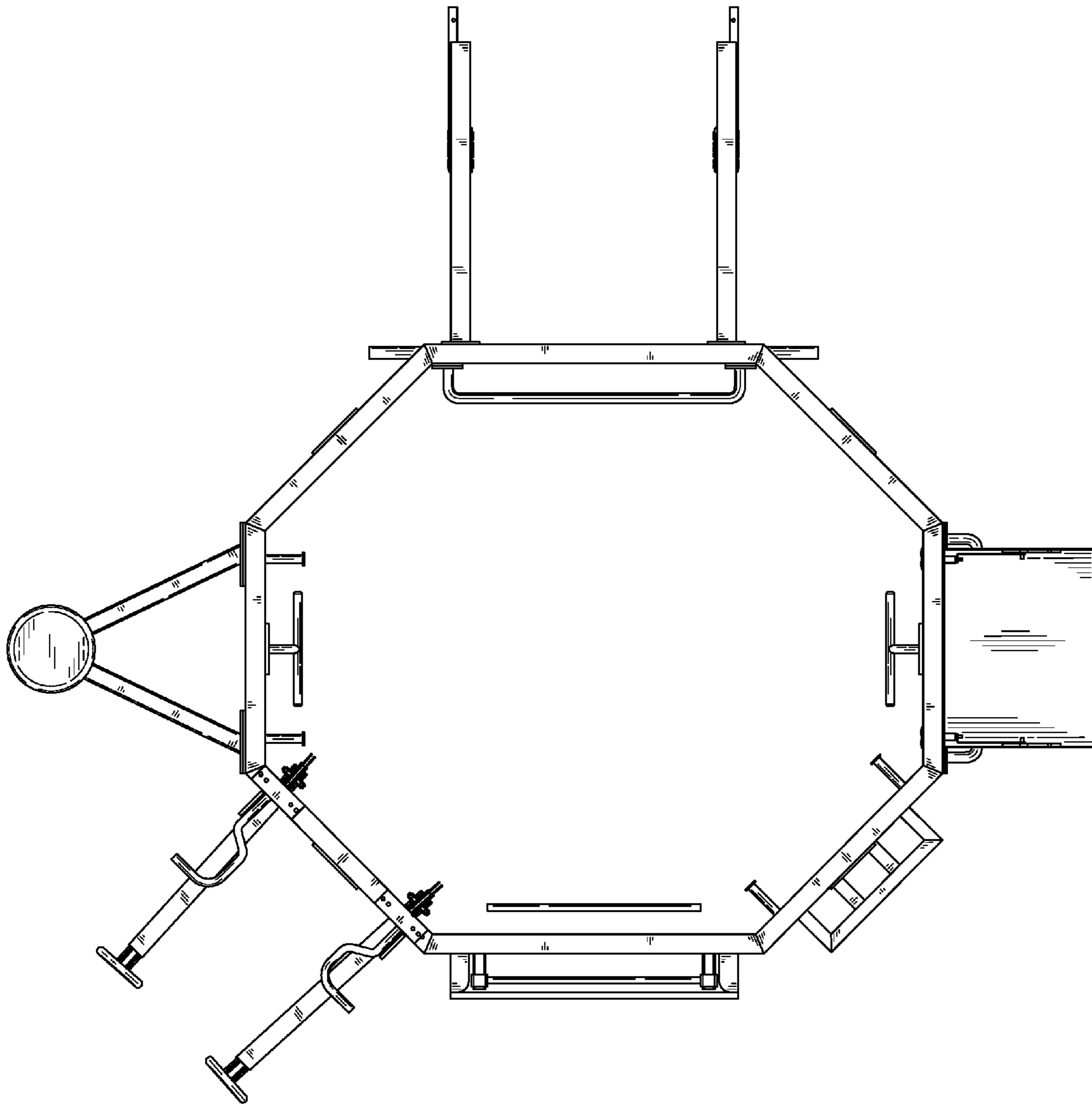


FIG. 8