



US00D629468S

(12) **United States Design Patent**
Ujita

(10) **Patent No.:** **US D629,468 S**
(45) **Date of Patent:** **** Dec. 21, 2010**

(54) **TOY TOP**

(75) Inventor: **Haruhisa Ujita**, Tokyo (JP)

(73) Assignee: **Tomy Company, Ltd.**, Tokyo (JP)

(**) Term: **14 Years**

(21) Appl. No.: **29/347,188**

(22) Filed: **Oct. 20, 2009**

(30) **Foreign Application Priority Data**

Apr. 20, 2009 (JP) 2009-009056

(51) **LOC (9) Cl.** **21-01**

(52) **U.S. Cl.** **D21/460**

(58) **Field of Classification Search** D21/385,
D21/386, 390, 398, 404, 436-438, 441-444,
D21/447, 451, 453-464, 563, 578, 585, 592;
446/34, 36-48, 217, 218, 330, 352, 358,
446/359, 366, 368, 421, 429, 430, 486, 489
See application file for complete search history.

(56) **References Cited**

U.S. PATENT DOCUMENTS

461,948 A	10/1891	Wilson
1,552,530 A	8/1921	Woods
D155,015 S	8/1949	Krapp
2,789,392 A	4/1957	Palmieri
3,220,142 A	11/1965	Butterfield
3,613,295 A	10/1971	Everett
4,157,632 A	6/1979	Everett
D262,610 S	1/1982	Westlake et al.
D353,632 S	12/1994	Nonaka et al.
D356,347 S	3/1995	Nonaka et al.
5,518,437 A	5/1996	Nonaka et al.
5,593,338 A	1/1997	Itoh et al.
6,604,979 B1	8/2003	Liu
6,626,729 B2	9/2003	Osawa
6,739,939 B2	5/2004	Matsukawa
6,743,070 B1	6/2004	Lin
6,746,300 B1	6/2004	Matsukawa
6,905,389 B2	6/2005	Matsukawa
7,063,589 B2	6/2006	Matsukawa et al.

7,427,225 B2 9/2008 Matsukawa et al.

D584,366 S 1/2009 Bowen et al.

2002/0102907 A1 8/2002 Osawa

(Continued)

FOREIGN PATENT DOCUMENTS

CN 2604212 Y 2/2004

(Continued)

OTHER PUBLICATIONS

Abstract of Japanese Publication No. 3156926, published Feb. 27, 2001.

(Continued)

Primary Examiner—Catherine Tuttle
(74) *Attorney, Agent, or Firm*—Staas & Halsey LLP

(57) **CLAIM**

The ornamental design for a toy top, as shown and described.

DESCRIPTION

FIG. 1 is a top perspective view of the toy top showing my design;

FIG. 2 is a front view thereof, the rear view being a mirror image;

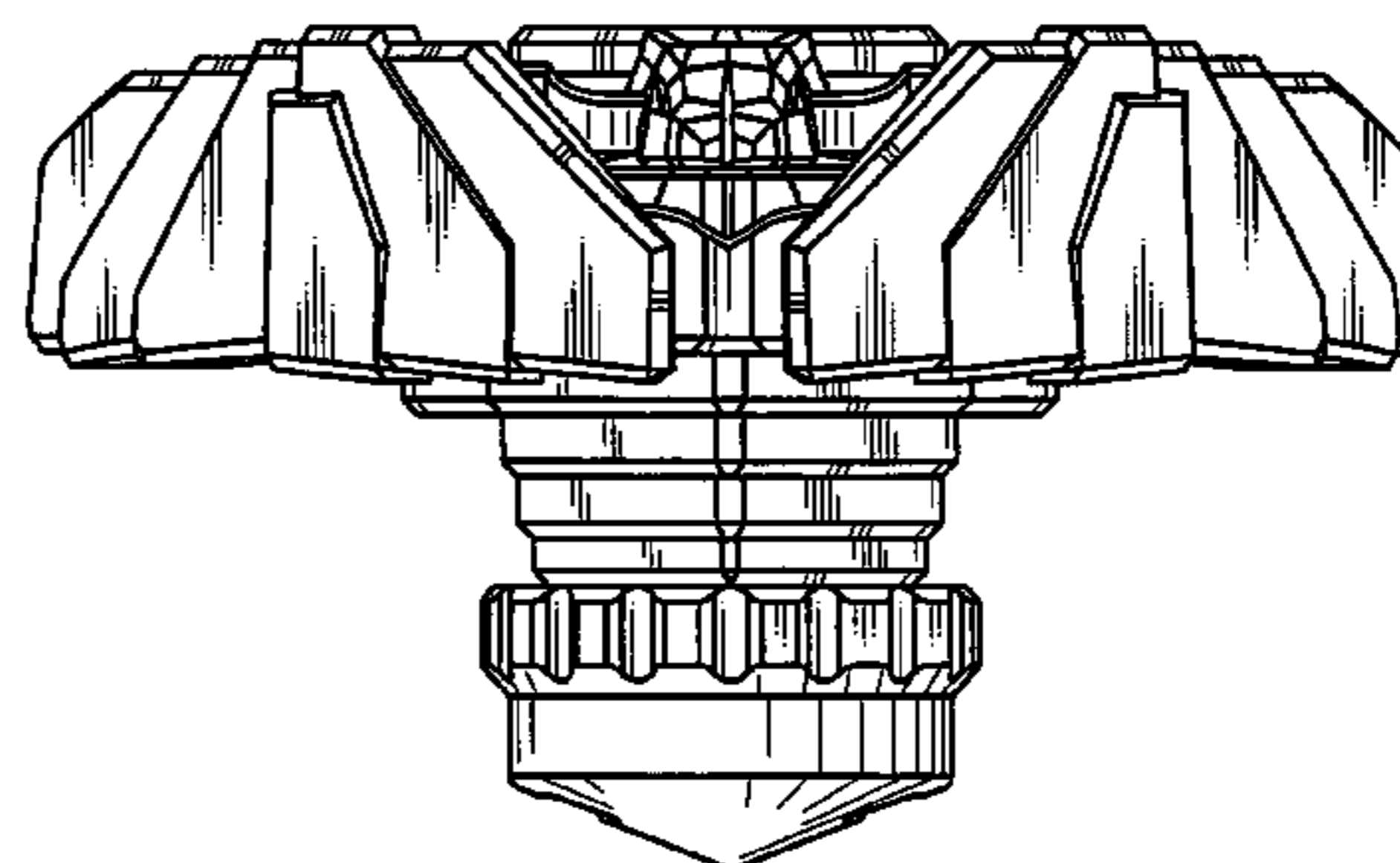
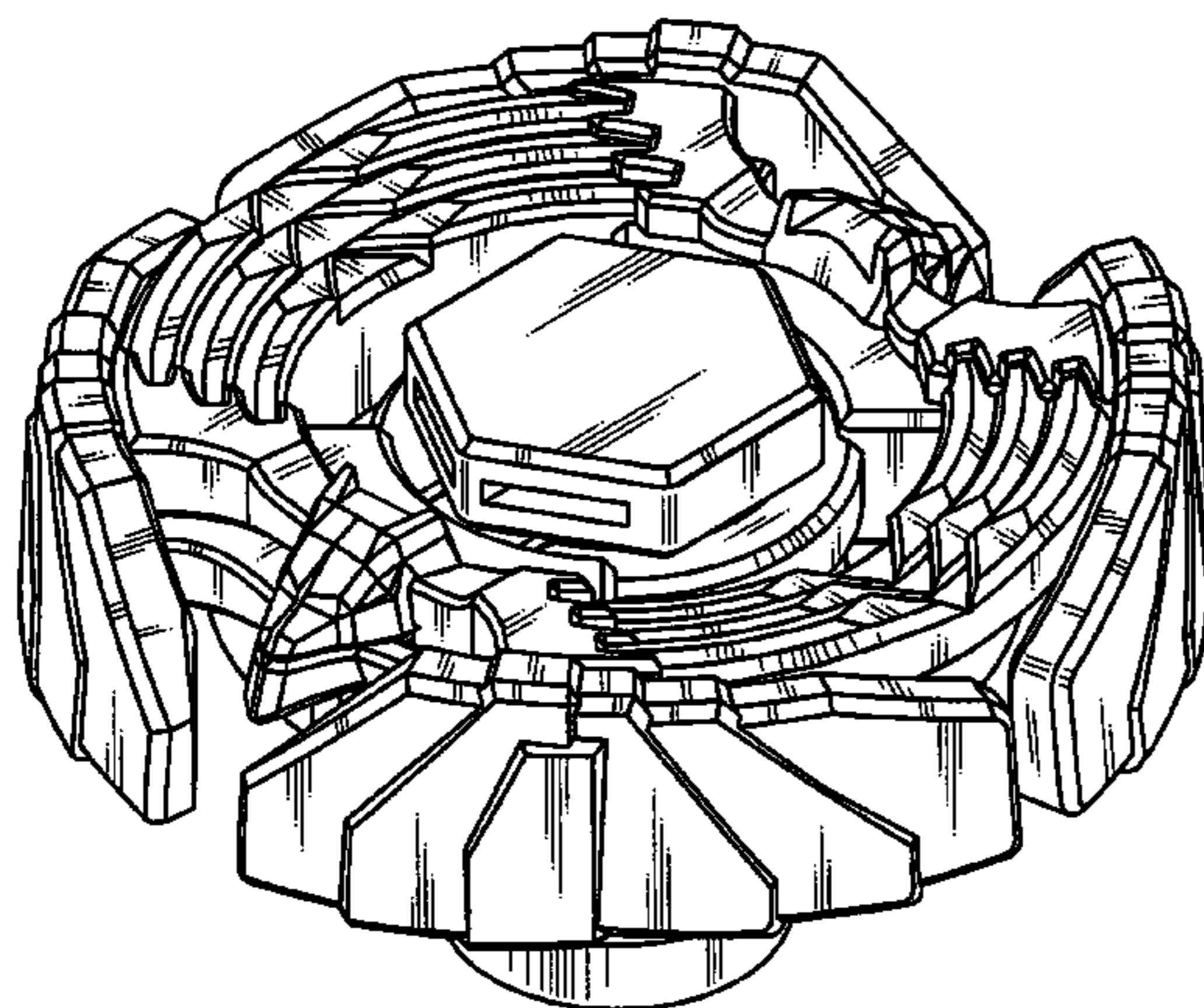
FIG. 3 is a right side view thereof, the left side view being a mirror image;

FIG. 4 is a top view thereof;

FIG. 5 is a bottom view thereof; and,

FIG. 6 is a bottom perspective view thereof.

1 Claim, 6 Drawing Sheets



U.S. PATENT DOCUMENTS

2003/0064660 A1 4/2003 Matsukawa
 2004/0198152 A1 10/2004 Matsukawa
 2006/0258259 A1 11/2006 Lin

FOREIGN PATENT DOCUMENTS

CN	2925561	Y	7/2007
CN	300687773	*	9/2007
CN	300830962	*	9/2007
CN	300830963	*	9/2007
CN	200977395	Y	11/2007
CN	200977396	Y	11/2007
CN	200977397	Y	11/2007
CN	200977398	Y	11/2007
CN	20098446	Y	12/2007
CN	300830960	*	9/2008
CN	300839700	*	10/2008
CN	300862259	*	12/2008
CN	300894281	*	3/2009
DE	2002 07 253		10/2002
EP	077438		4/1983
JP	3067318		3/2000
JP	3071356		8/2000
JP	3156926		2/2001
JP	2003-320174	A	11/2003
JP	2005-328976		12/2005
KR	300520338.0000	*	2/2009
KR	300520343.000	*	2/2009

OTHER PUBLICATIONS

Abstract of Japanese Publication No. 2005-328976, published Dec. 2, 2005.
 European Search Report in Application No. 08253264.9 dated Jun. 25, 2009.
 Apr. 2, 2009 Office Action in co-pending U.S. Appl. No. 29/309,758.
 Apr. 7, 2009 Notice of Allowance in co-pending U.S. Appl. No. 29/309,764.
 Apr. 15, 2009 Office Action in co-pending U.S. Appl. No. 29/309,759.
 Apr. 15, 2009 Office Action in co-pending U.S. Appl. No. 29/309,761.
 Apr. 15, 2009 Office Action in co-pending U.S. Appl. No. 29/309,766.
 Apr. 16, 2009 Office Action in co-pending U.S. Appl. No. 29/309,768.
 Sep. 3, 2009 Notice of Allowance in co-pending U.S. Appl. No. 29/309,762.
 Sep. 3, 2009 Notice of Allowance in co-pending U.S. Appl. No. 29/309,764.
 U.S. Appl. No. 29/309,758, filed Oct. 6, 2008, Nishimoto, Tomy Company, Ltd.
 U.S. Appl. No. 29/309,759, filed Oct. 6, 2008, Ujita, Tomy Company, Ltd.
 U.S. Appl. No. 29/309,761, filed Oct. 6, 2008, Nishimoto, Tomy Company, Ltd.

U.S. Appl. No. 29/309,762, filed Oct. 6, 2008, Nishimoto, Tomy Company, Ltd.
 U.S. Appl. No. 29/309,764, filed Oct. 6, 2008, Nishimoto, Tomy Company, Ltd.
 U.S. Appl. No. 29/309,766, filed Oct. 6, 2008, Nishimoto, Tomy Company, Ltd.
 U.S. Appl. No. 29/309,768, filed Oct. 6, 2008, Nishimoto, Tomy Company, Ltd.
 U.S. Appl. No. 12/285,877, filed Oct. 15, 2008, Ujita et al., Tomy Company, Ltd.
 U.S. Appl. No. 29/311,775, filed Jun. 17, 2009, Ujita, Tomy Company, Ltd.
 U.S. Appl. No. 29/311,776, filed Jun. 17, 2009, Ujita, Tomy Company, Ltd.
 U.S. Appl. No. 29/311,777, filed Jun. 17, 2009, Ujita, Tomy Company, Ltd.
 U.S. Appl. No. 29/311,821, filed Jul. 2, 2009, Nishimoto, Tomy Company, Ltd.
 U.S. Appl. No. 29,347,147, filed Sep. 28, 2009, Nishimoto, Tomy Company, Ltd.
 U.S. Copyright Registration No. VA1-151-590 dated Nov. 15, 2002 with deposit copy.
 U.S. Copyright Registration No. VA1-151-591 dated Nov. 15, 2002 with deposit copy.
 U.S. Copyright Registration No. VA1-151-592 dated Nov. 15, 2002 with deposit copy.
 U.S. Copyright Registration No. VA1-151-593 dated Nov. 15, 2002 with deposit copy.
 U.S. Copyright Registration No. VA1-151-594 dated Nov. 15, 2002 with deposit copy.
 U.S. Copyright Registration No. VA1-151-595 dated Nov. 15, 2002 with deposit copy.
 U.S. Copyright Registration No. VA1-172-925 dated Oct. 22, 2002 with deposit copy.
 U.S. Copyright Registration No. VA1-172-926 dated Oct. 22, 2002 with deposit copy.
 U.S. Copyright Registration No. VA1-172-927 dated Oct. 22, 2002 with deposit copy.
 U.S. Copyright Registration No. VA1-172-928 dated Oct. 22, 2002 with deposit copy.
 U.S. Copyright Registration No. VA1-172-929 dated Oct. 22, 2002 with deposit copy.
 U.S. Copyright Registration No. VA1-172-930 dated Oct. 22, 2002 with deposit copy.
 U.S. Copyright Registration No. VA1-172-931 dated Oct. 22, 2002 with deposit copy.
 U.S. Copyright Registration No. VA1-172-932 dated Oct. 22, 2002 with deposit copy.
 U.S. Copyright Registration No. VA1-172-933 dated Oct. 22, 2002 with deposit copy.
 U.S. Copyright Registration No. VA1-172-934 dated Oct. 22, 2002 with deposit copy.
 U.S. Copyright Registration No. VA1-172-935 dated Oct. 22, 2002 with deposit copy.

* cited by examiner

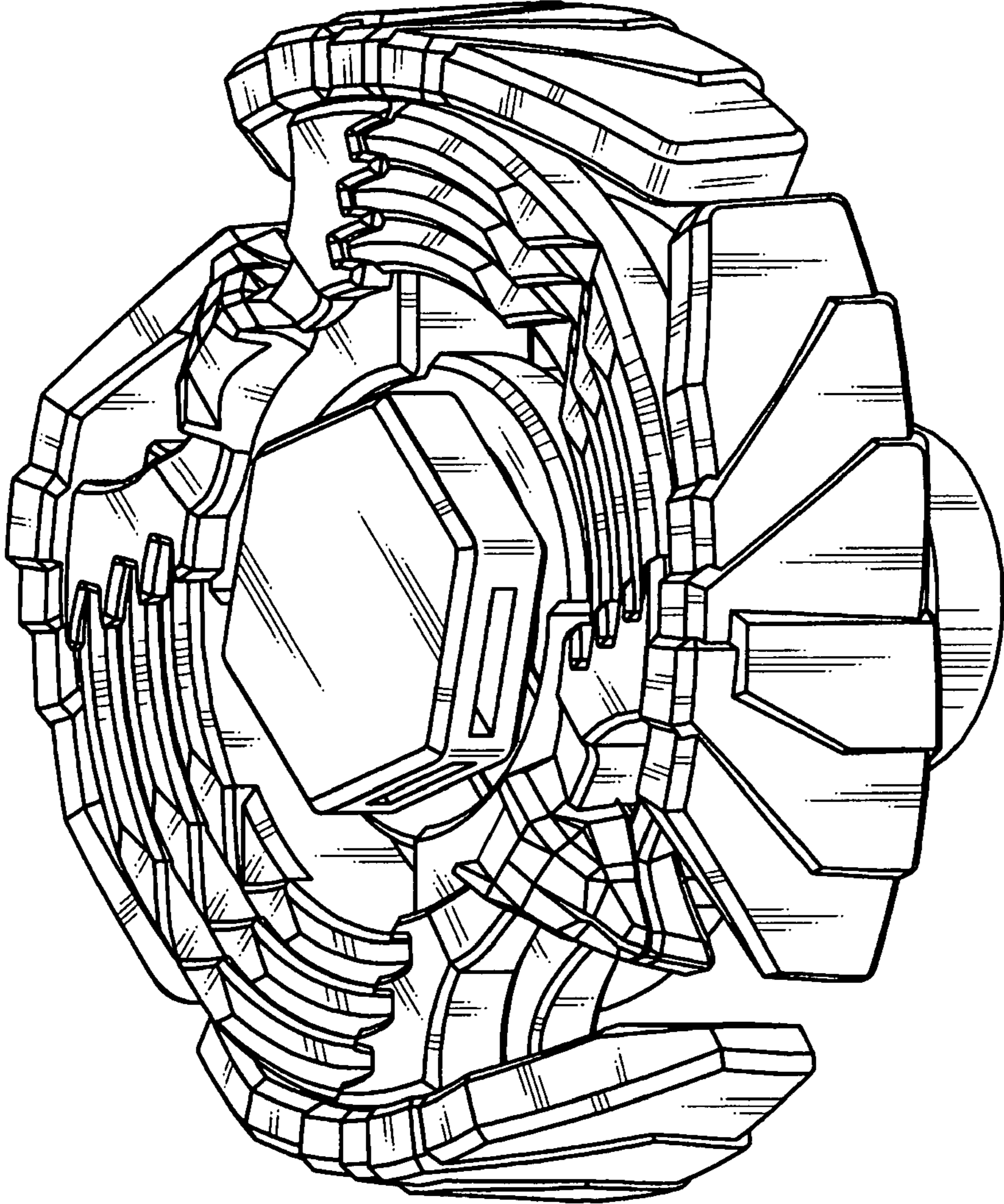


FIG.1

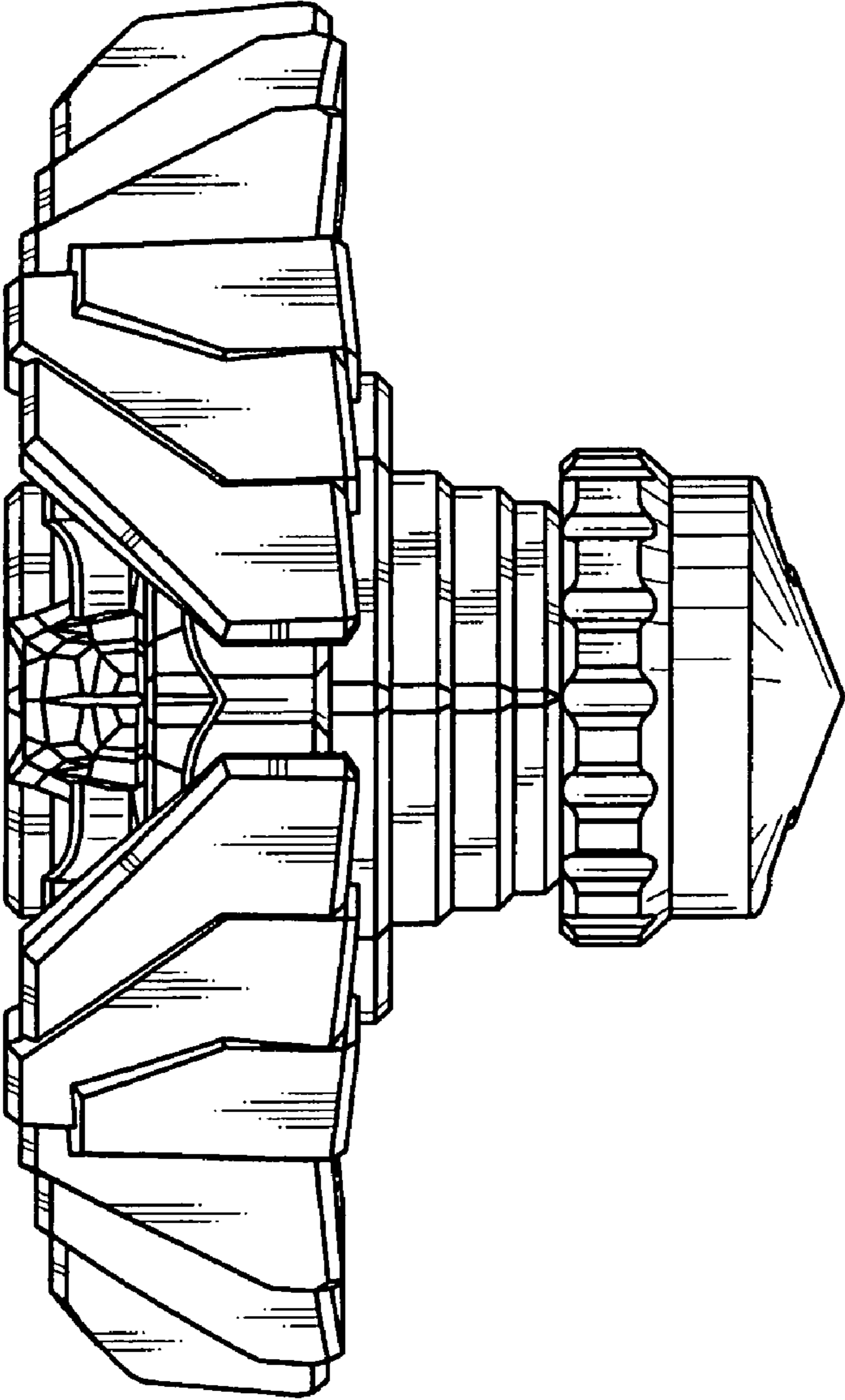


FIG. 2

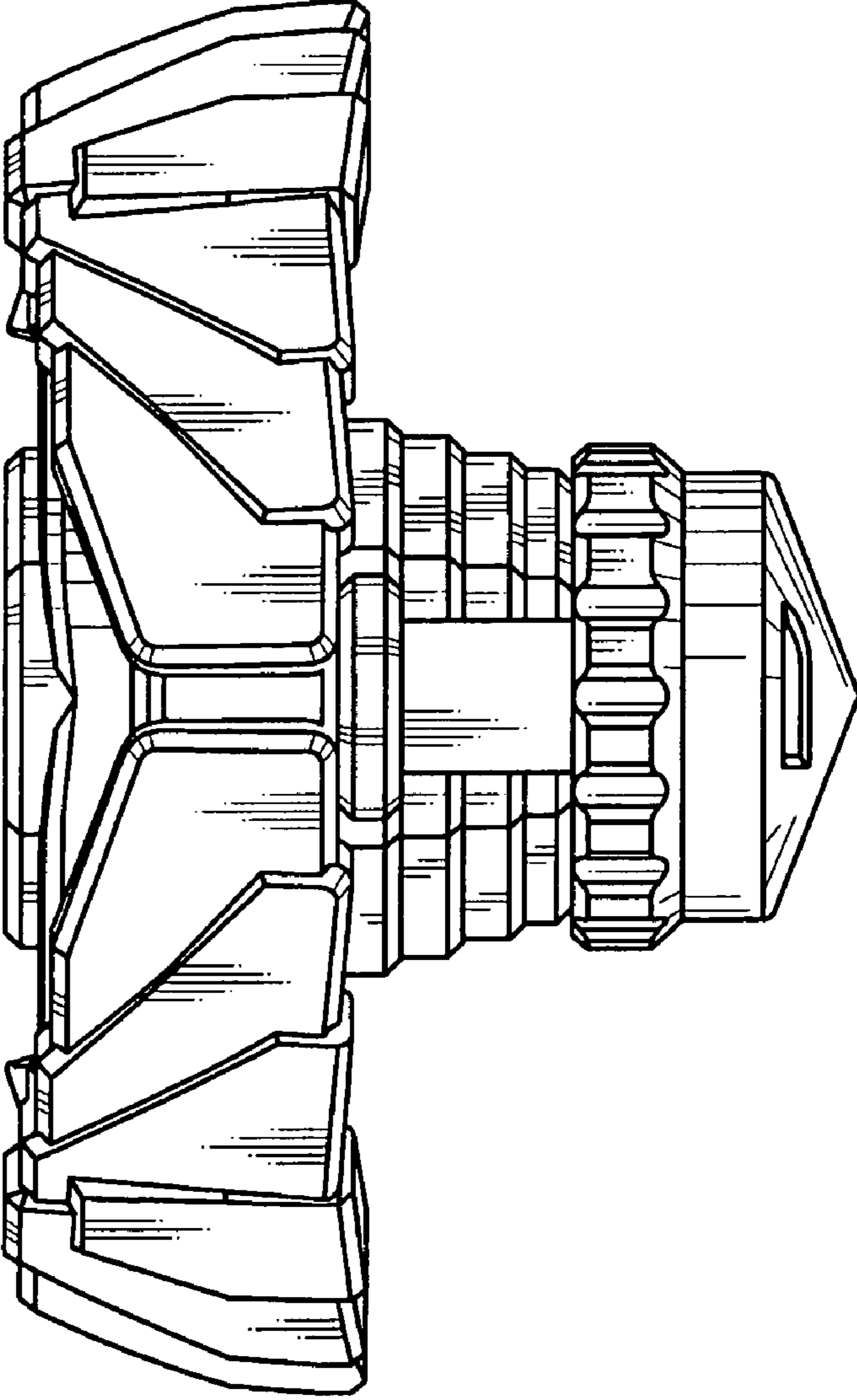


FIG. 3

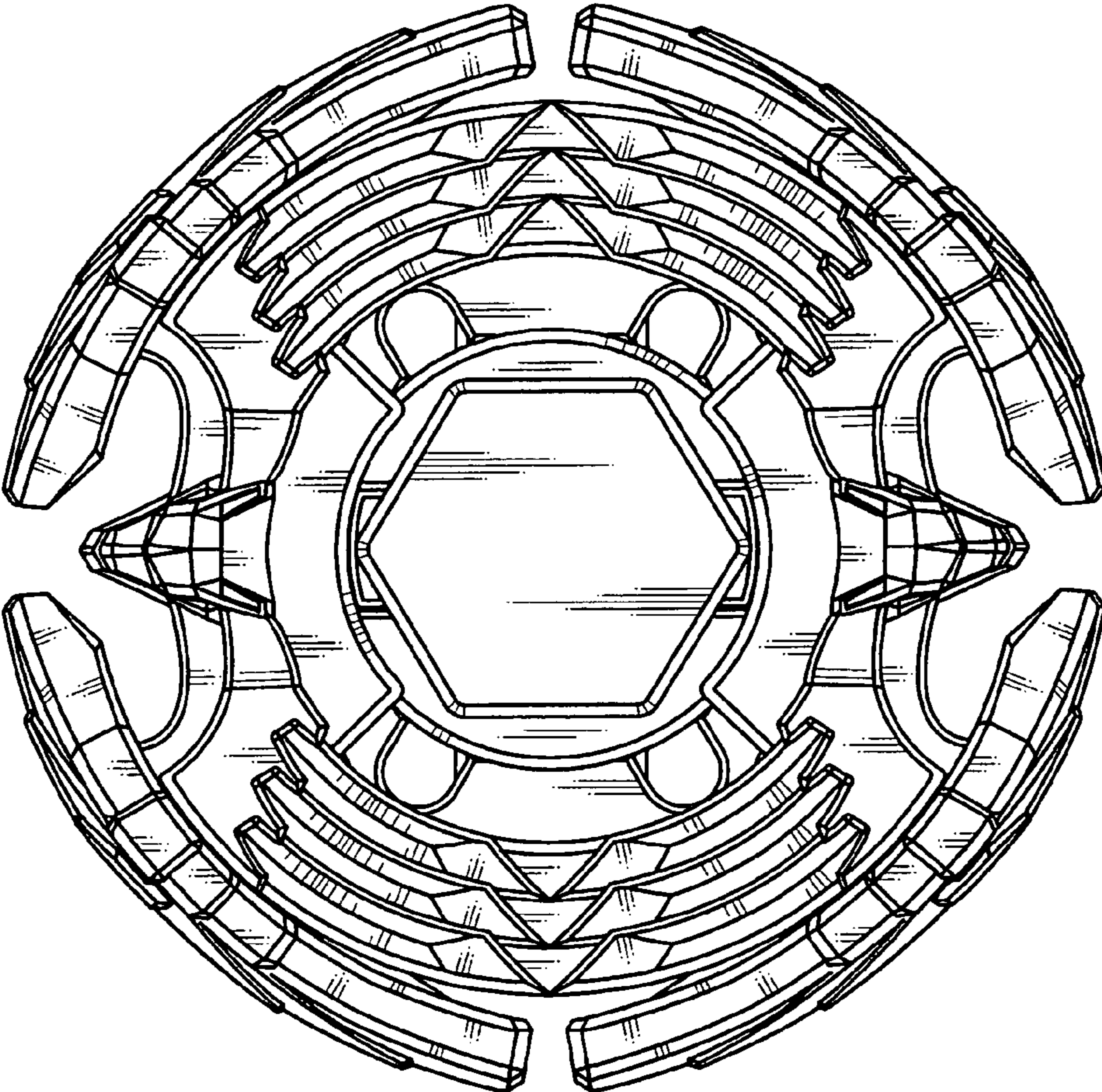


FIG.4

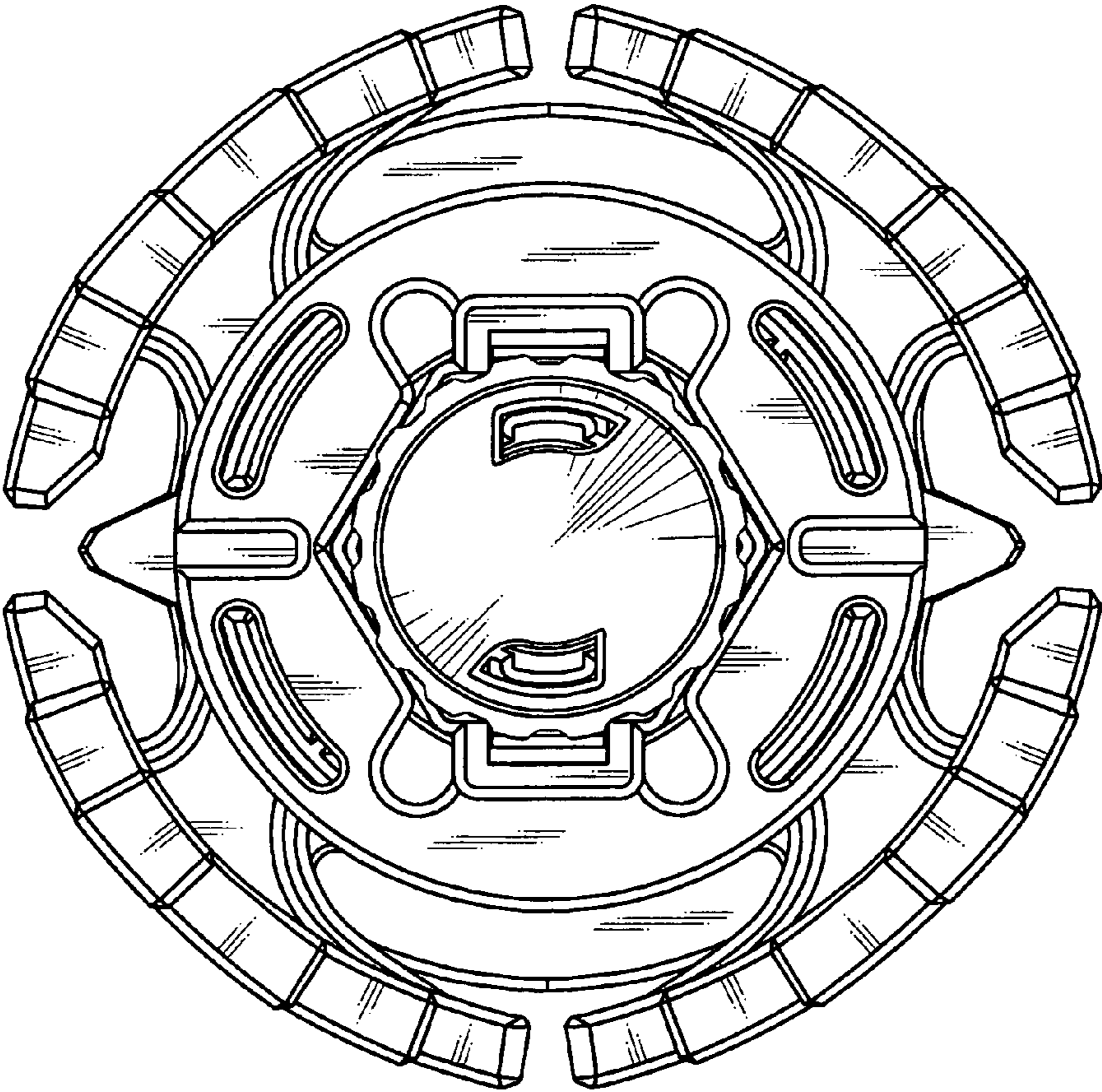


FIG.5

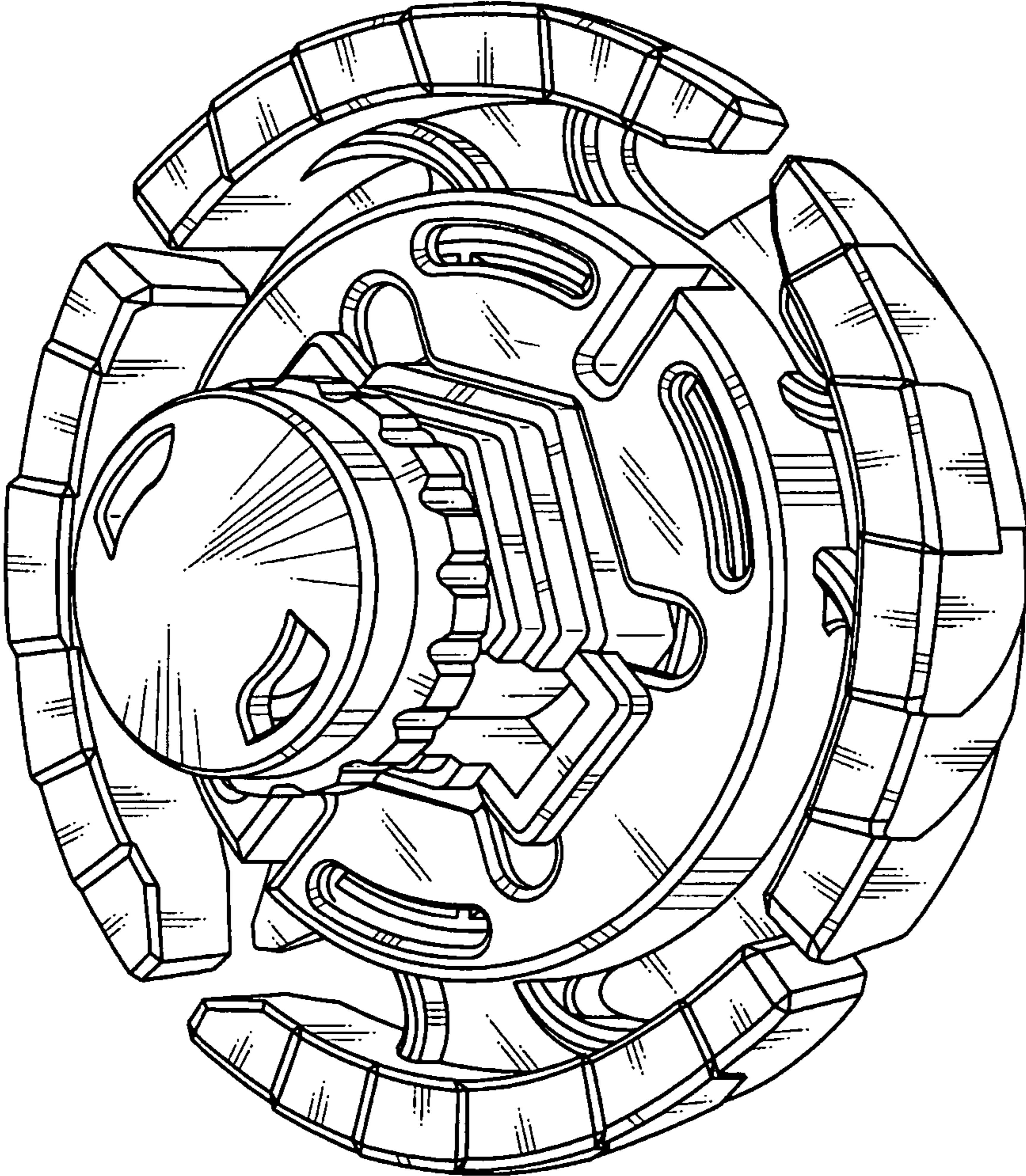


FIG. 6