



US00D629467S

(12) **United States Design Patent**
Cai

(10) **Patent No.:** **US D629,467 S**
(45) **Date of Patent:** **** Dec. 21, 2010**

(54) **DUAL ROTOR MINI TOY HELICOPTER**

HK 0703120.4M001 * 2/2008
HK 0800077.0 * 3/2008

(76) Inventor: **Muxiong Cai**, Huafu Village, Dengfeng Road, Guangyi Street, Shanton City, Guangdong Province (CN)

* cited by examiner

(**) Term: **14 Years**

Primary Examiner—Catherine Tuttle
(74) *Attorney, Agent, or Firm*—Frederick Gotha

(21) Appl. No.: **29/307,505**

(57) **CLAIM**

(22) Filed: **Apr. 24, 2008**

The ornamental design for a dual rotor mini toy helicopter, as shown and described.

(51) **LOC (9) Cl.** **21-01**

(52) **U.S. Cl.** **D21/442**

(58) **Field of Classification Search** D21/436-454;
D12/319-345; 446/30-68, 88; 244/17.11-17.27
See application file for complete search history.

DESCRIPTION

(56) **References Cited**

U.S. PATENT DOCUMENTS

D546,269 S * 7/2007 Van de Rostyne et al. .. D12/345
D548,803 S * 8/2007 Zimet D21/442
2006/0121819 A1* 6/2006 Isawa 446/37
2006/0231677 A1* 10/2006 Zimet et al. 244/17.23
2007/0012818 A1* 1/2007 Miyazawa et al. 244/17.25
2007/0105475 A1* 5/2007 Gotou et al. 446/37
2007/0164149 A1* 7/2007 Van de Rostyne 244/17.21

FIG. 1 is a perspective view of a dual rotor mini toy helicopter showing my new design where the broken lines are included for the purpose of illustrating portions of the article that form no part of the new design;

FIG. 2 is a left side view of the new design shown in FIG. 1.

FIG. 3 is a front view of the new design shown in FIG. 1.

FIG. 4 is a right side view of the new design shown in FIG. 1.

FIG. 5 is a rear view of the new design shown in FIG. 1.

FIG. 6 is a top view of the new design as shown in FIG. 1; and,

FIG. 7 is a bottom view of the new design shown in FIG. 1.

FOREIGN PATENT DOCUMENTS

EM 000905724.0001 * 3/2008

1 Claim, 7 Drawing Sheets

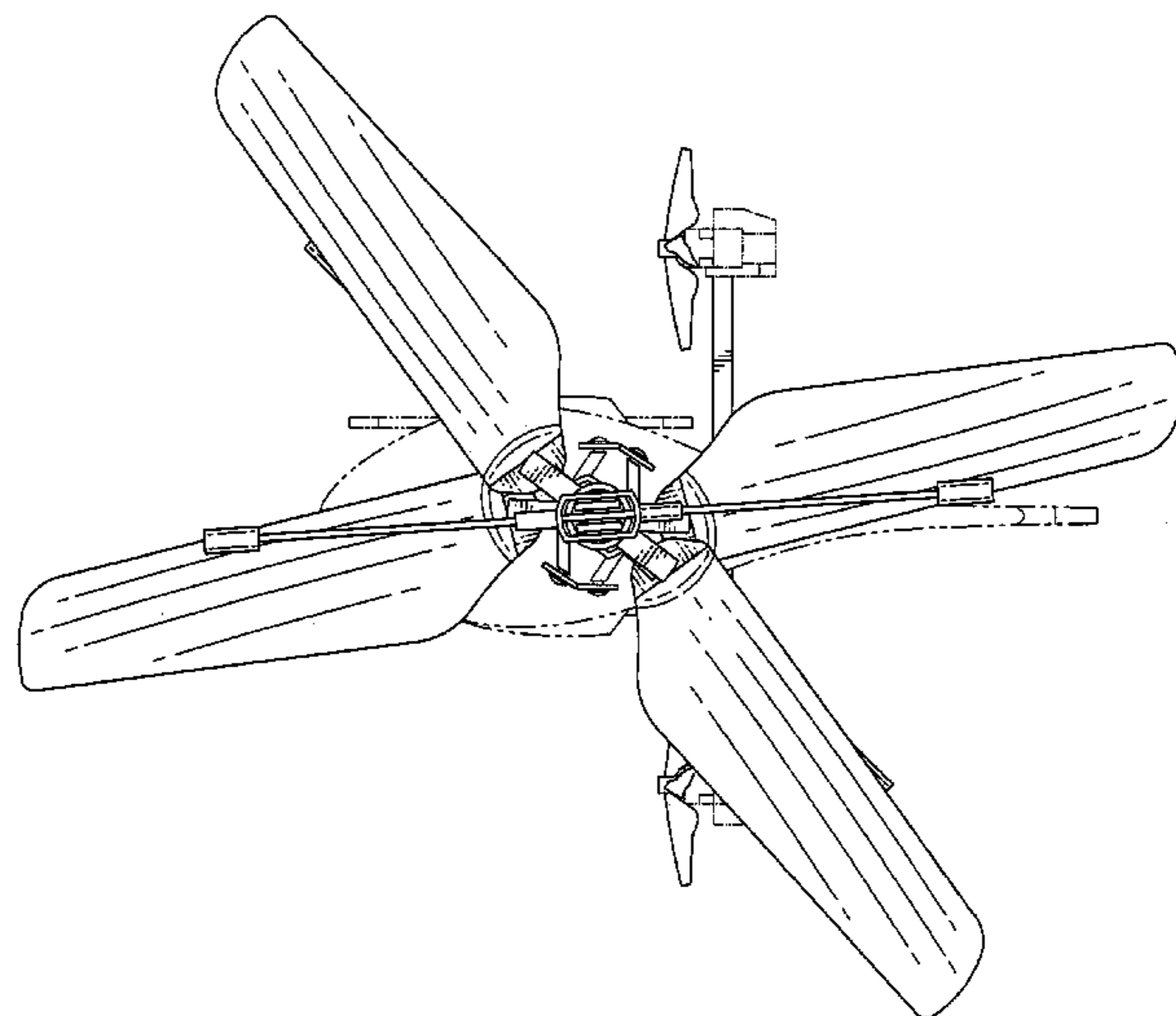
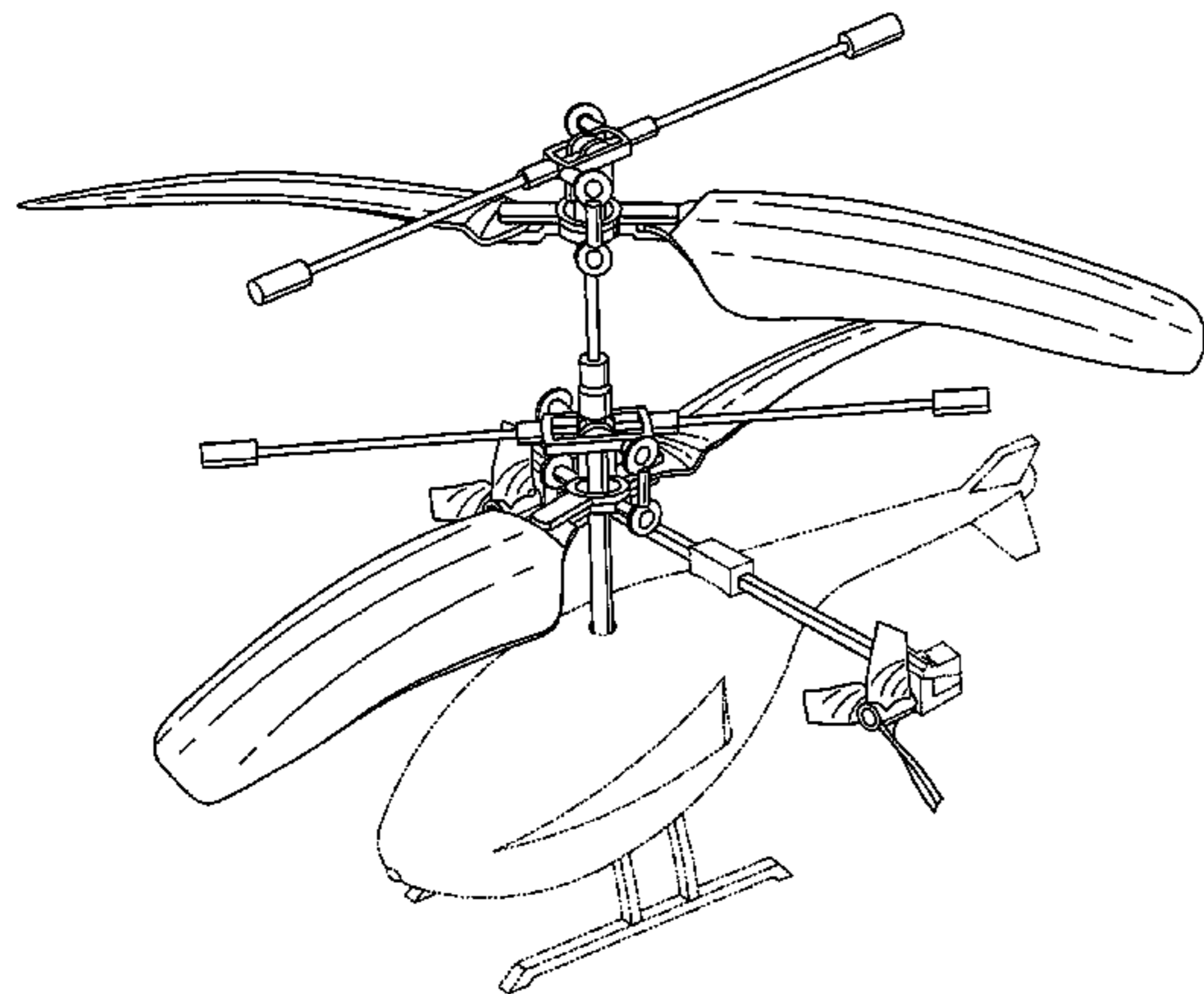
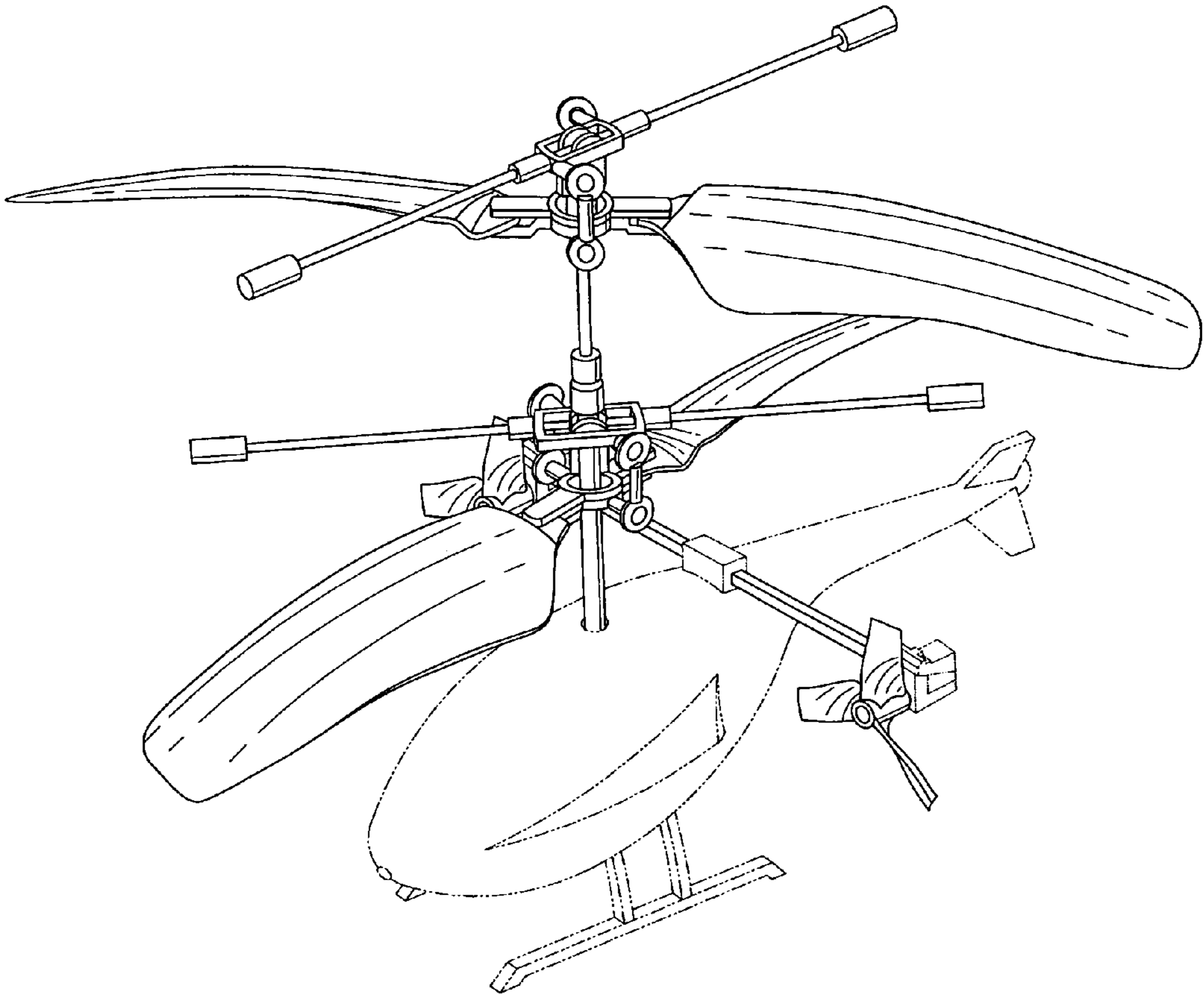


FIG. 1



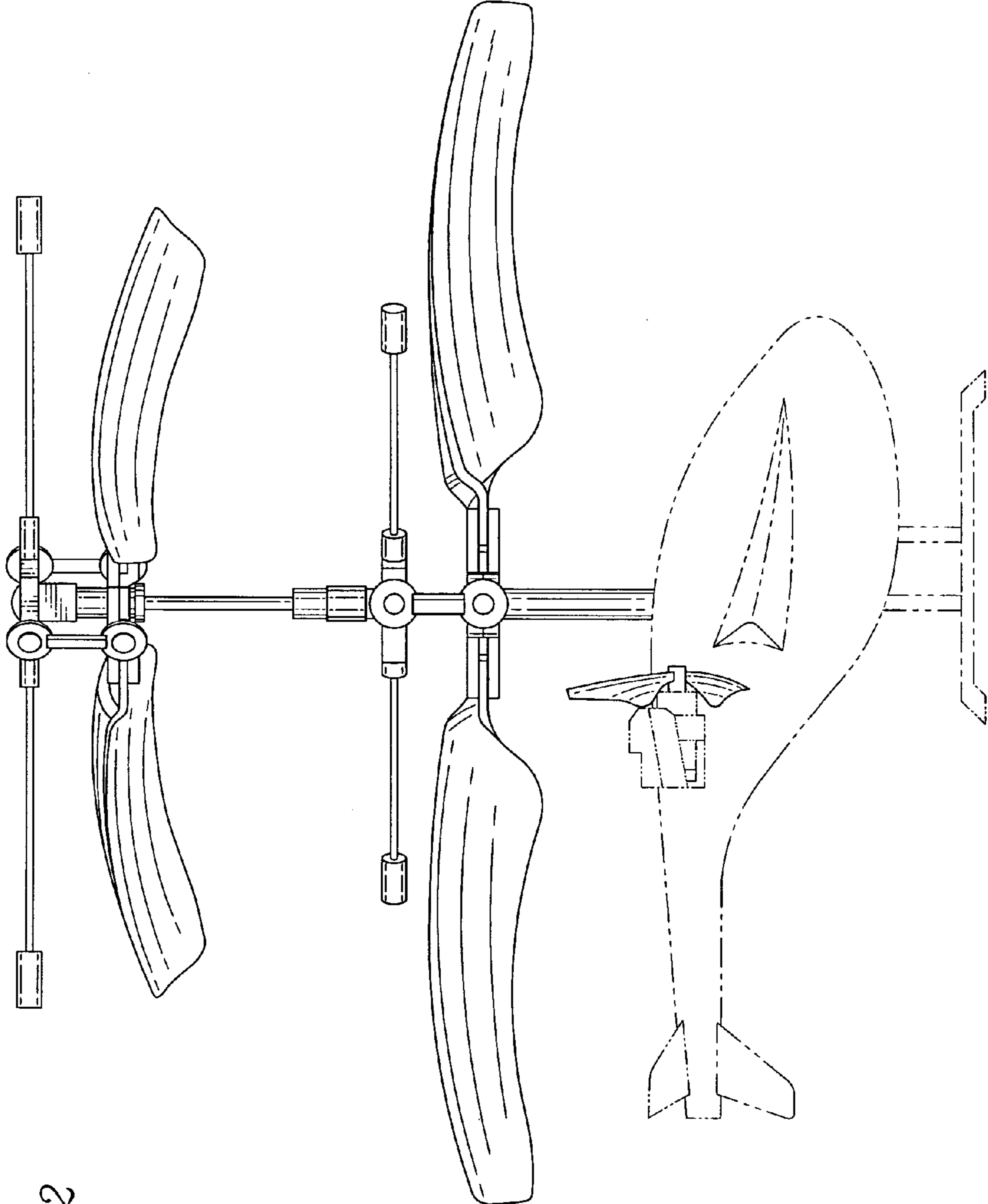


FIG. 2

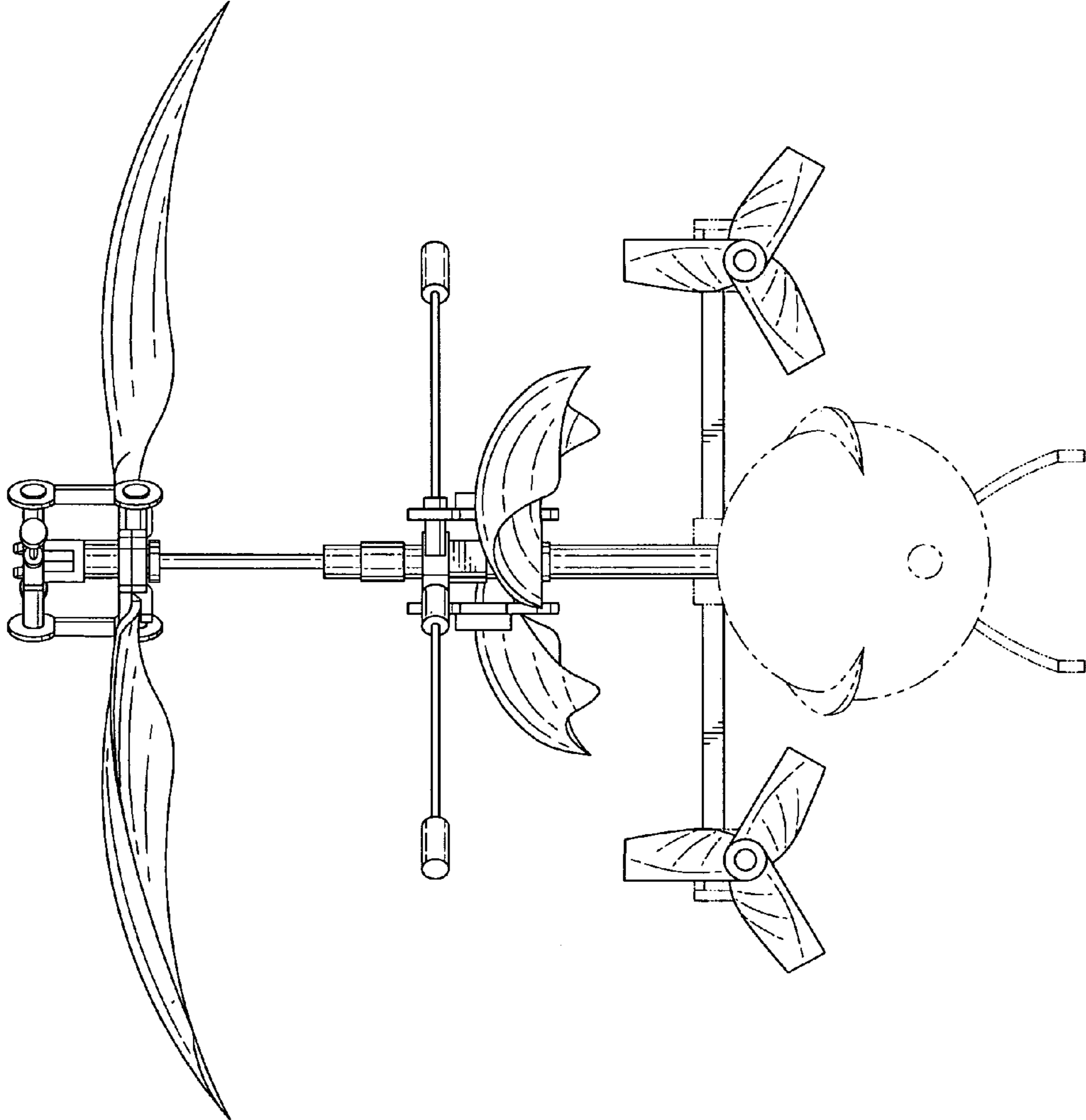


FIG. 3

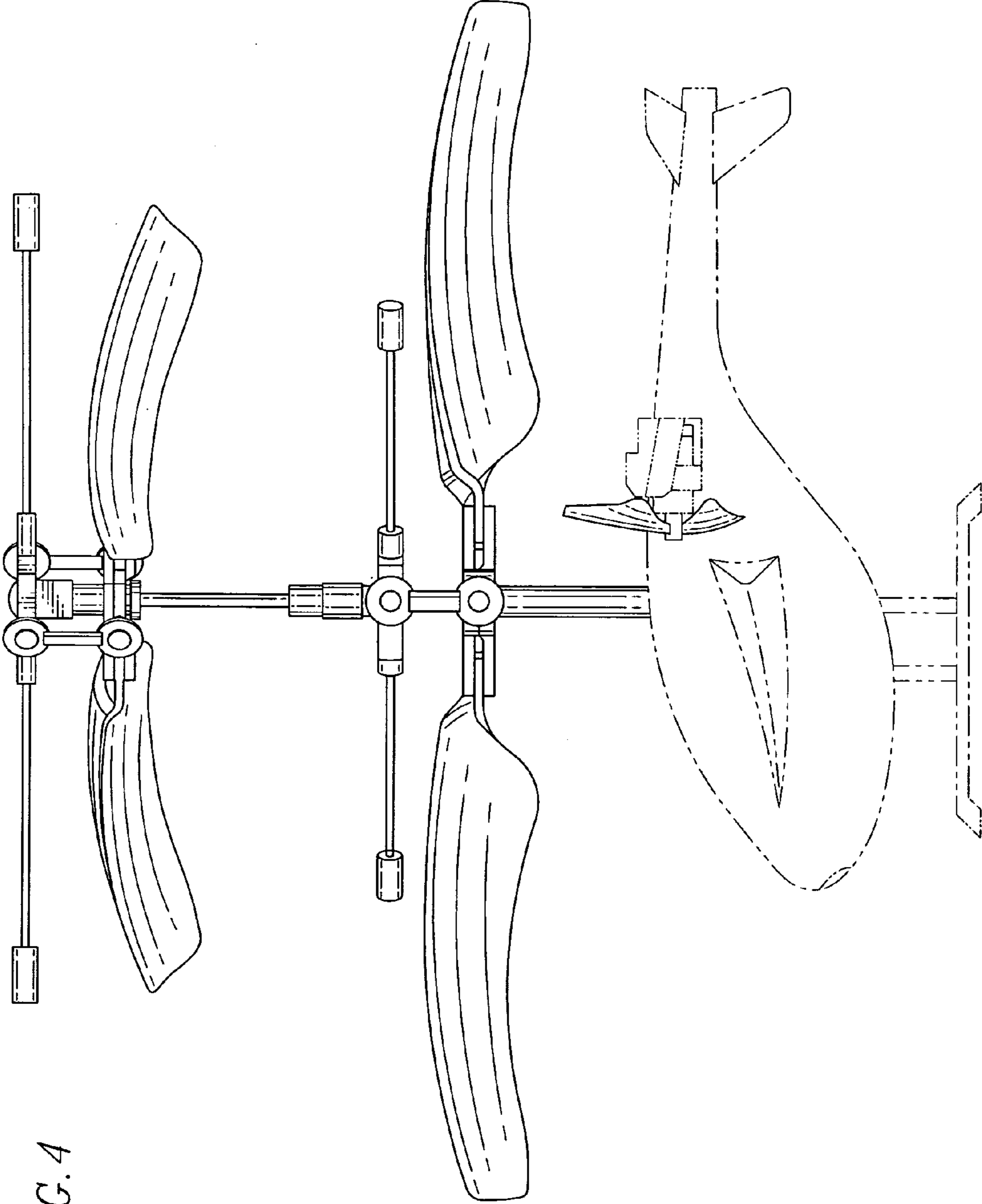


FIG. 4

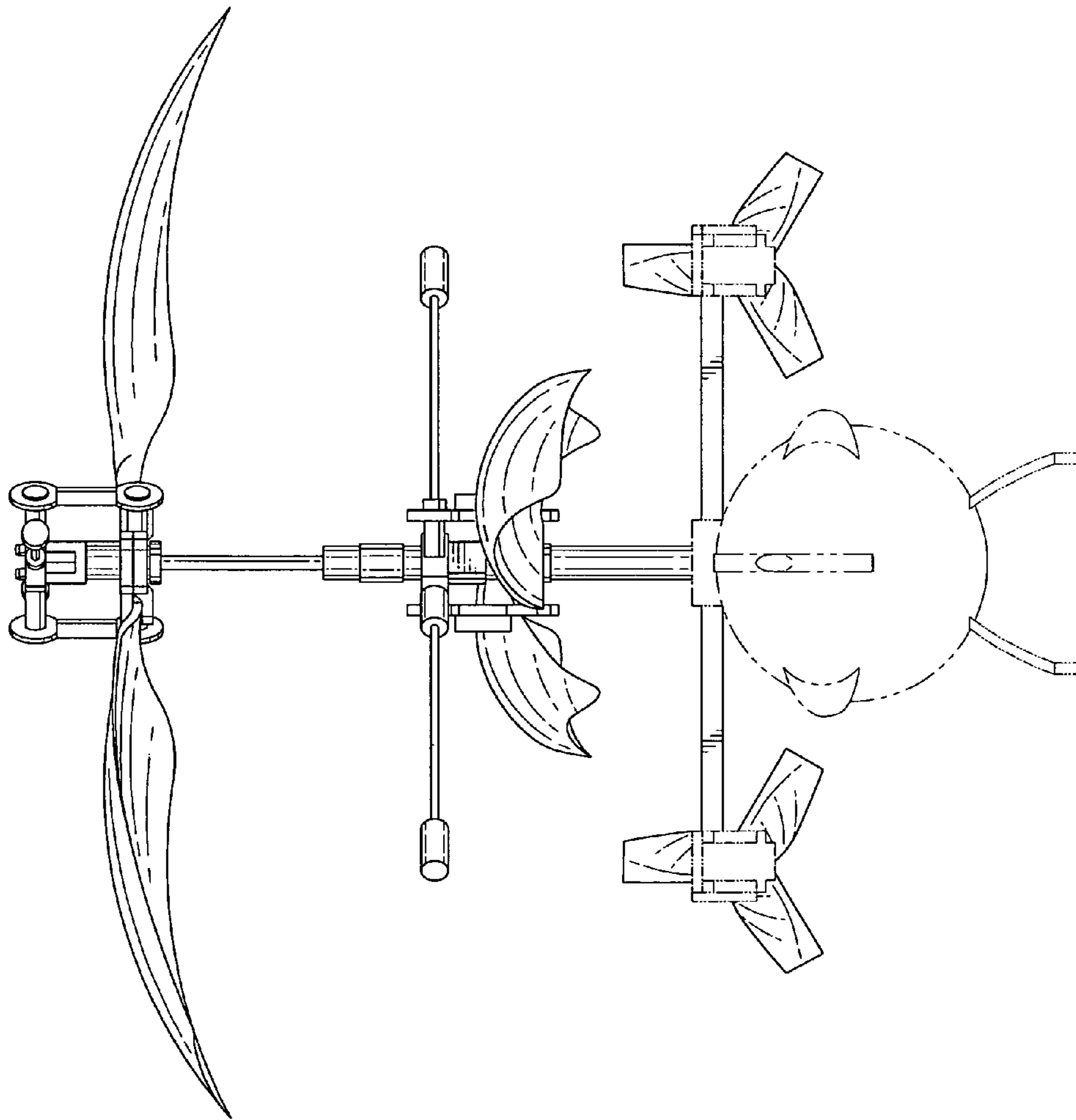


FIG. 5

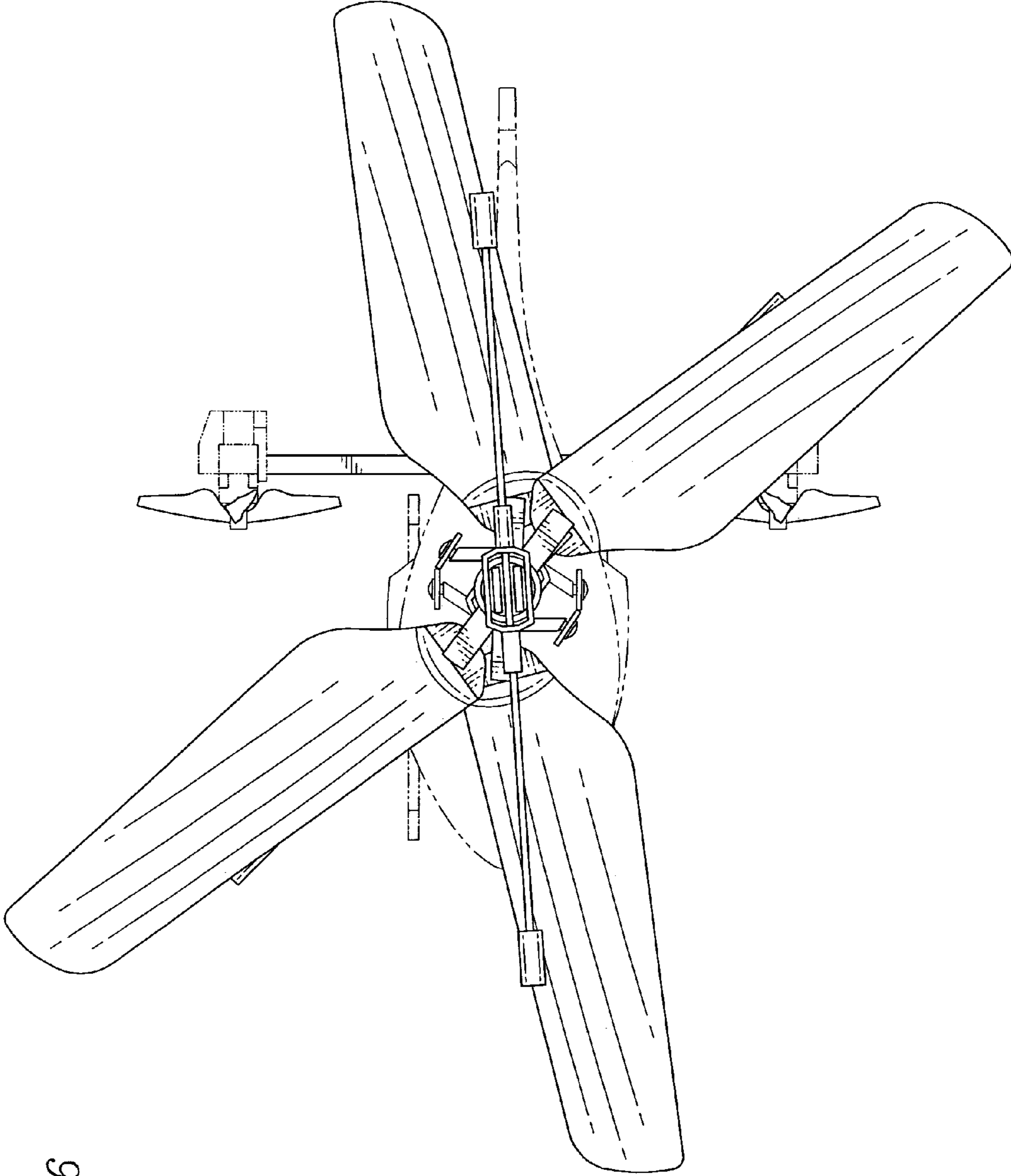


FIG. 6

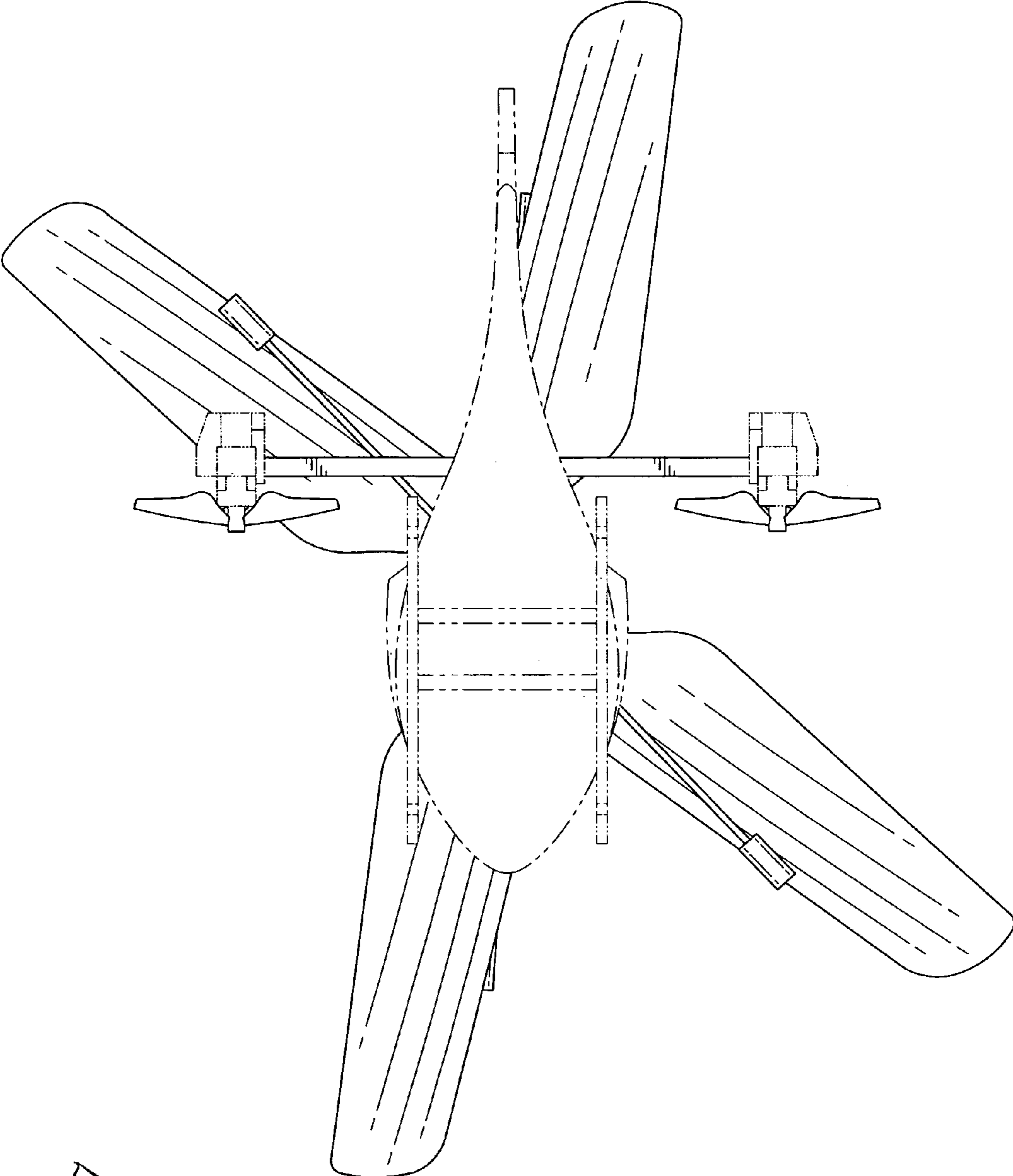


FIG. 7