



US00D629461S

(12) **United States Design Patent**
Shibata

(10) **Patent No.:** **US D629,461 S**

(45) **Date of Patent:** **** Dec. 21, 2010**

(54) **BALLPOINT PEN**

(75) Inventor: **Tomoaki Shibata**, Yokohama (JP)

(73) Assignee: **Pentel Kabushiki Kaisha** (JP)

(**) Term: **14 Years**

(21) Appl. No.: **29/348,110**

(22) Filed: **Nov. 30, 2009**

(30) **Foreign Application Priority Data**

May 29, 2009 (JP) 2009-012232

(51) **LOC (9) Cl.** **19-06**

(52) **U.S. Cl.** **D19/49**

(58) **Field of Classification Search** D19/35,
D19/36, 41-51, 53-57; 24/11 F, 11 P, 11 R;
401/52, 99, 100, 104-109, 192, 195, 196
See application file for complete search history.

(56) **References Cited**

U.S. PATENT DOCUMENTS

D85,500 S *	11/1931	Van Dorn	D19/58
D124,725 S *	1/1941	Ornstein	D10/31
D130,443 S *	11/1941	Gower	D19/58
D158,832 S *	6/1950	Beaver	D8/14.1
D179,615 S *	1/1957	Spatz	D28/4
D207,986 S *	6/1967	Smalley	D23/250
D280,420 S *	9/1985	Verhaegue	D19/48
D324,543 S *	3/1992	Poisson	D19/49
D336,923 S *	6/1993	Lin	D19/57
D372,736 S *	8/1996	Stabler	D19/57
D453,790 S *	2/2002	Tsuchikura	D19/36
D457,915 S *	5/2002	Carroll et al.	D19/36
D458,964 S *	6/2002	Nakazawa	D19/48
D495,002 S *	8/2004	Sung	D19/51
D499,139 S *	11/2004	Oka	D19/47
D512,458 S *	12/2005	Shiina	D19/49

D533,591 S *	12/2006	Togawa	D19/49
D563,472 S *	3/2008	Cetera	D19/49
D563,473 S *	3/2008	Qiu et al.	D19/50
D568,393 S *	5/2008	Bhavnani	D19/51
D573,640 S *	7/2008	Qiu et al.	D19/48
D575,338 S *	8/2008	Shimizu	D19/49
D575,339 S *	8/2008	Daida	D19/50
D580,978 S *	11/2008	Miller	D19/51
D587,752 S *	3/2009	Shimizu	D19/50
D594,059 S *	6/2009	Shibata	D19/48
D595,353 S *	6/2009	Li	D19/48
D609,744 S *	2/2010	Rathod	D19/48
D611,538 S *	3/2010	Zhou	D19/51

* cited by examiner

Primary Examiner—Elizabeth A Albert

(74) *Attorney, Agent, or Firm*—Adams & Wilks

(57) **CLAIM**

The ornamental design for a ballpoint pen, as shown and described.

DESCRIPTION

FIG. 1 is a perspective view of the front, top plan and left side of a ballpoint pen showing my new design;

FIG. 2 is a front view thereof;

FIG. 3 is a bottom view, a top plan view being a mirror image thereof;

FIG. 4 is a rear view thereof;

FIG. 5 is a left side view thereof;

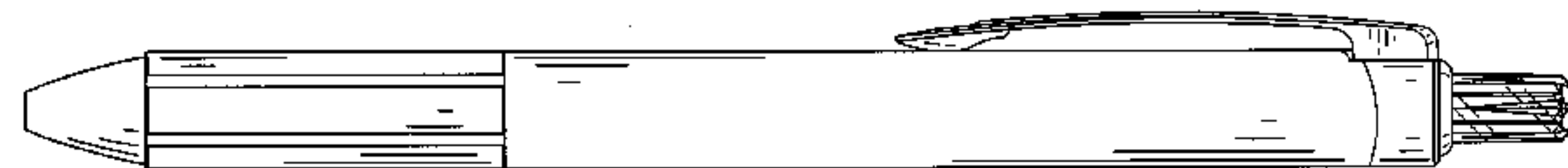
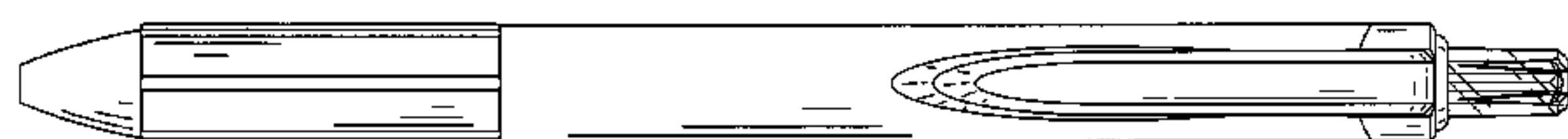
FIG. 6 is a right side view thereof;

FIG. 7 is a front view thereof, with the writing tip extended;

FIG. 8 is an enlarged left side reference view thereof; and,

FIG. 9 is an enlarged right side view thereof with the writing tip extended.

1 Claim, 3 Drawing Sheets



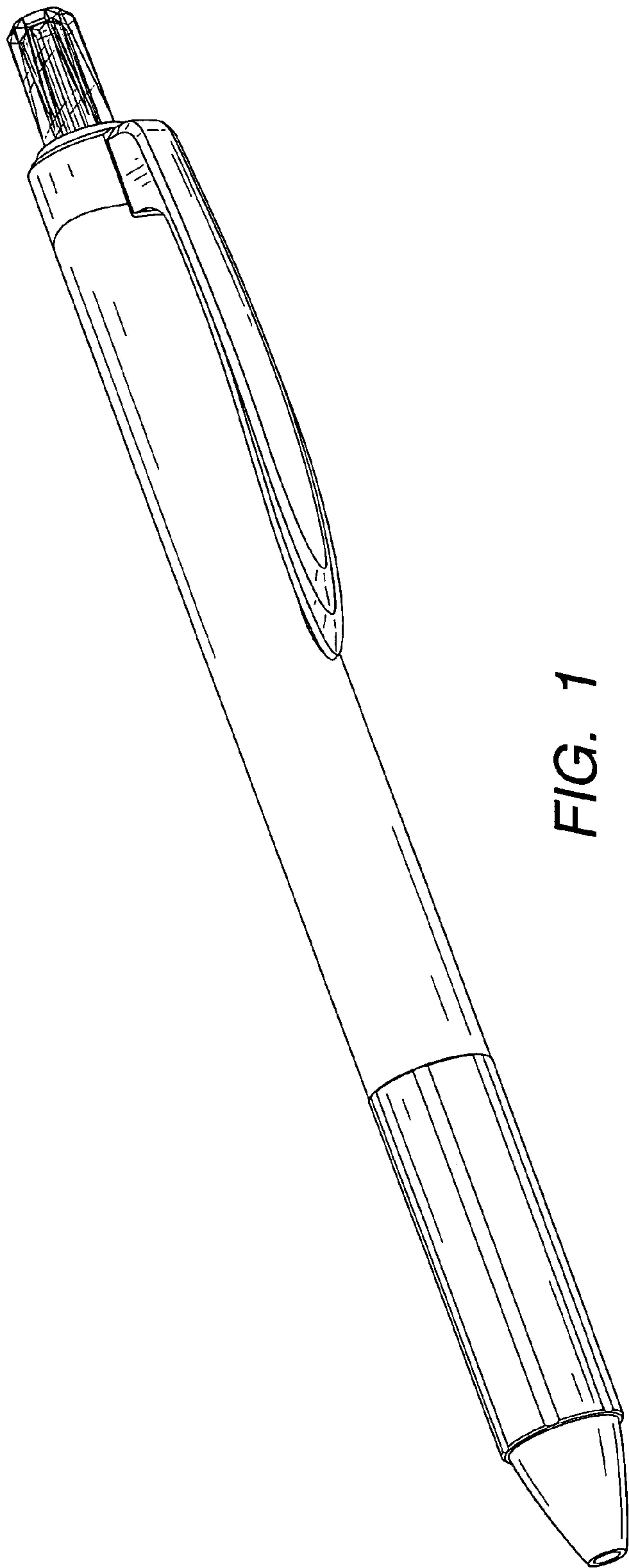


FIG. 1

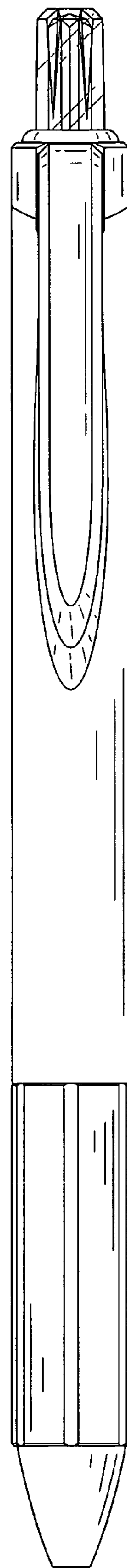


FIG. 2

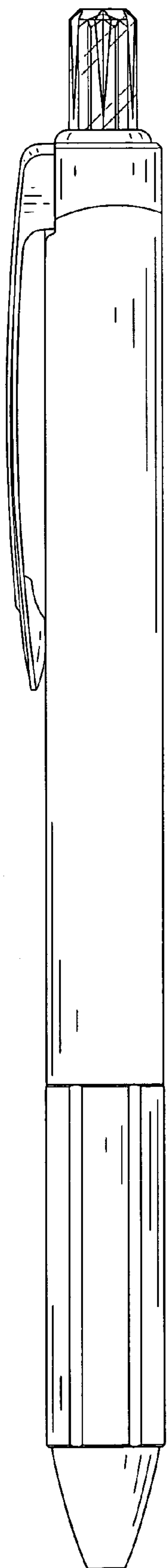


FIG. 3

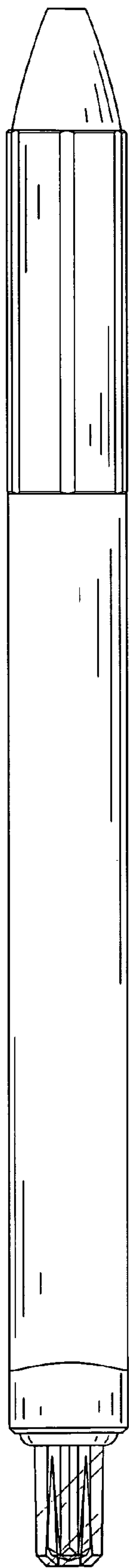


FIG. 4

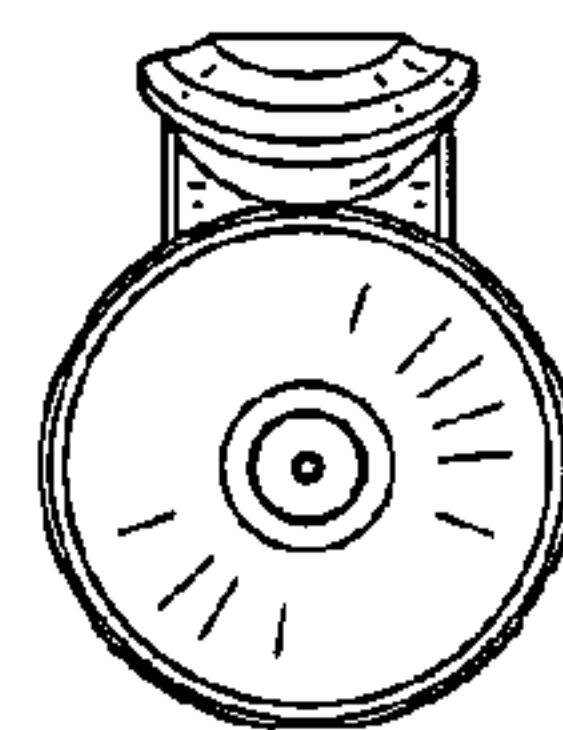


FIG. 5

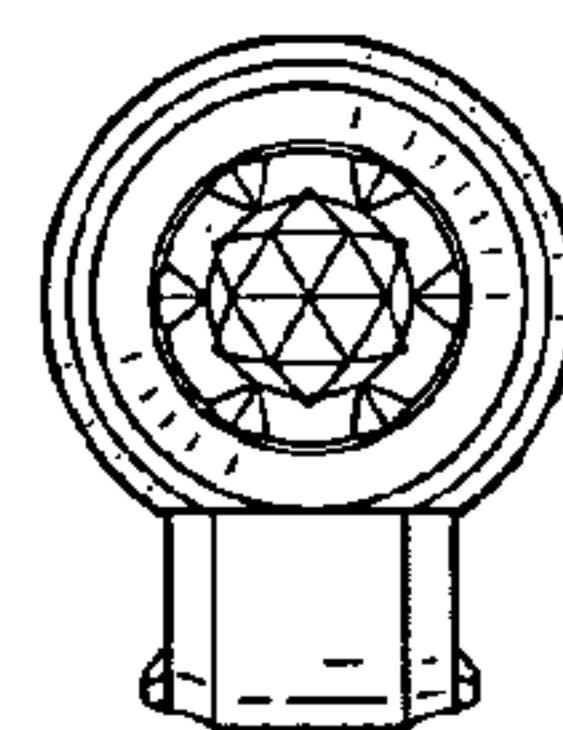


FIG. 6

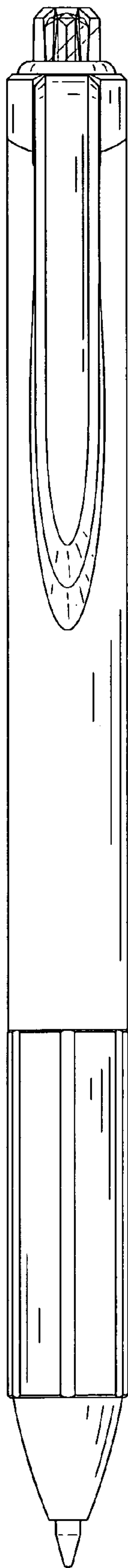


FIG. 7

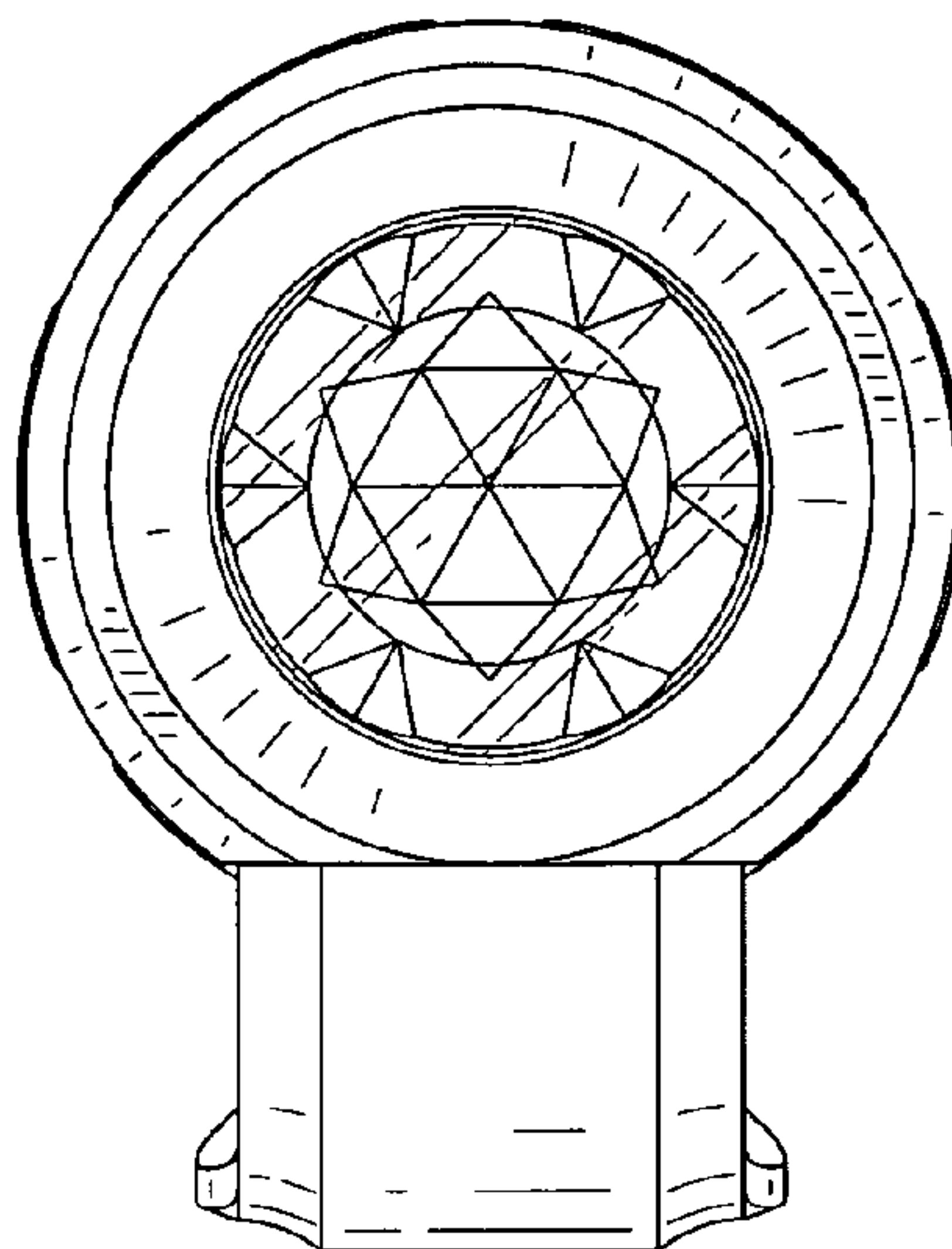


FIG. 9

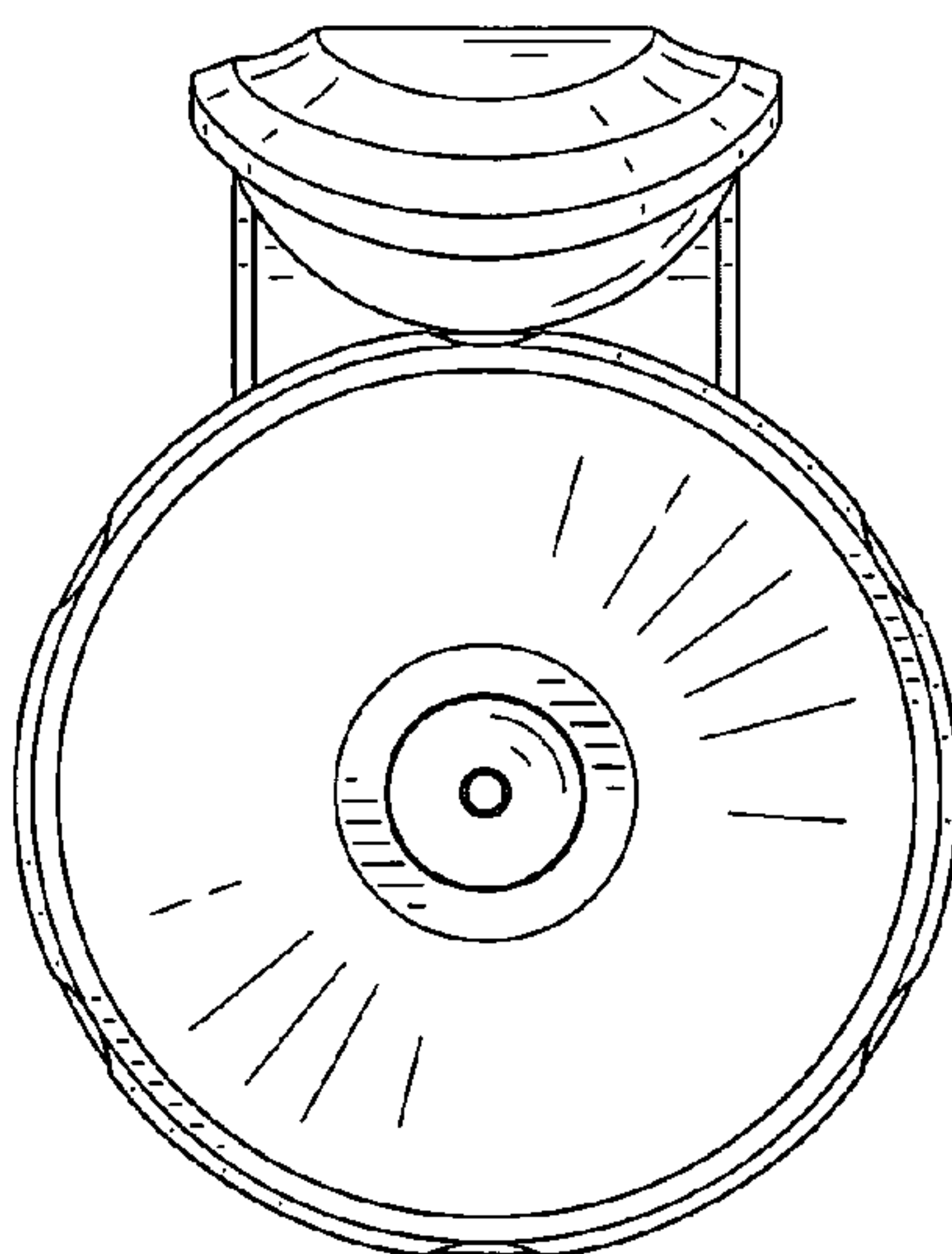


FIG. 8