

US00D629458S

(12) **United States Design Patent**
Clegg et al.

(10) **Patent No.:** **US D629,458 S**
(45) **Date of Patent:** **** Dec. 21, 2010**

(54) **NOVELTY VIDEO BOOK**
(75) Inventors: **Timothy P. Clegg**, Manhattan Beach, CA (US); **Michael D. Ronk**, Lawndale, CA (US)
(73) Assignee: **Americhip, Inc.**, Los Angeles, CA (US)
(**) Term: **14 Years**

4,286,399 A 9/1981 Funahashi et al.
4,433,783 A 2/1984 Dickinson
4,607,747 A 8/1986 Steiner
4,611,262 A 9/1986 Galloway et al.
4,614,266 A 9/1986 Moorhead
4,656,469 A 4/1987 Oliver
4,703,573 A 11/1987 Montgomery et al.

(21) Appl. No.: **29/363,757**

(22) Filed: **Jun. 14, 2010**

Related U.S. Application Data

(63) Continuation-in-part of application No. 12/413,343, filed on Mar. 27, 2009, and a continuation-in-part of application No. 12/263,277, filed on Oct. 31, 2008, and a continuation-in-part of application No. 12/199,740, filed on Aug. 27, 2008.

(51) **LOC (9) Cl.** **19-01**

(52) **U.S. Cl.** **D19/1**

(58) **Field of Classification Search** D19/1-9, D19/26-33, 86; 40/124.01-124.15, 672, 40/661, 726, 451, 427, 436, 445-457, 463; 283/72, 74, 75, 63.1; 206/449, 308.3, 472; D21/385; 229/92, 92.1, 300; 462/64-66, 462/17, 55; 345/87, 901; 434/317, 169, 434/362, 185, 308, 368, 901, 307 R, 307; 446/147, 149, 151, 152; 281/3.1, 15.1, 19.1, 281/21.1, 29, 38; D14/371, 374, 435
See application file for complete search history.

(56) **References Cited**

U.S. PATENT DOCUMENTS

190,588 A 5/1877 Holding
1,141,172 A 6/1915 Clark
2,107,450 A 2/1938 Miller
2,298,601 A 10/1942 Tremblett
2,367,967 A 1/1945 Schwartz
2,543,670 A 2/1951 Regensburg
4,209,824 A 6/1980 Kaufman
4,231,034 A 10/1980 Bechteler

(Continued)

Primary Examiner—Caron Veynar

Assistant Examiner—Abraham Bahta

(74) *Attorney, Agent, or Firm*—Jeffer Mangels Butler & Mitchell LLP

(57) **CLAIM**

The ornamental design for a novelty video book, as shown and described.

DESCRIPTION

FIG. 1 is a perspective view of the present invention;

FIG. 2 is a top plan view of the present invention shown in FIG. 1;

FIG. 3 is a left side elevational view of the present invention shown in FIG. 1;

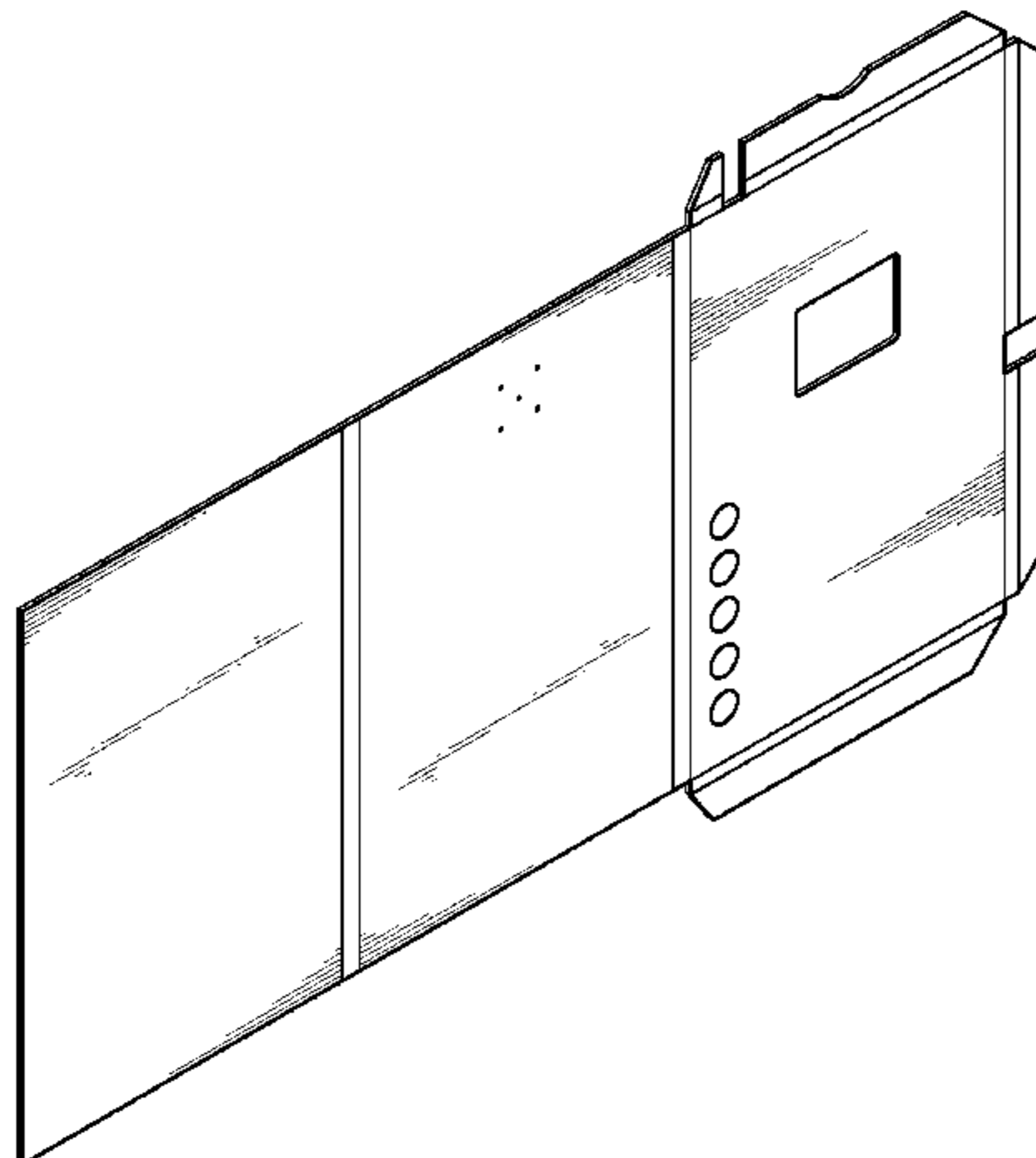
FIG. 4 is a right side elevational view of the present invention shown in FIG. 1;

FIG. 5 is a bottom plan view of the present invention shown in FIG. 1.

FIG. 6 is a top elevational view of the present invention shown in FIG. 1; and,

FIG. 7 is a bottom elevational view of the present invention shown in FIG. 1.

1 Claim, 5 Drawing Sheets



US D629,458 S

Page 2

U.S. PATENT DOCUMENTS							
4,791,741	A	12/1988	Kondo	6,905,019	B2	6/2005	Lacomis
4,847,124	A	7/1989	Lux nee Andrieux	6,985,135	B2	1/2006	Sugimoto
4,855,725	A	8/1989	Fernandez	7,127,841	B1	10/2006	Weber
4,866,865	A	9/1989	Yang	7,151,541	B2	12/2006	Seder
5,063,698	A	11/1991	Johnson et al.	7,181,300	B2	2/2007	Robbins
5,230,501	A	7/1993	Melton	7,240,442	B2	7/2007	Clegg
5,245,171	A	9/1993	Fox et al.	7,242,315	B2	7/2007	Affolter
5,275,285	A	1/1994	Clegg	7,278,570	B2	10/2007	McGee et al.
5,416,310	A	5/1995	Little	7,278,584	B1	10/2007	Gandel et al.
5,419,705	A *	5/1995	Sandvik 434/317	7,331,132	B1	2/2008	Seder
5,452,269	A	9/1995	Cherdak	7,336,788	B1	2/2008	Hendricks
5,463,725	A	10/1995	Henckel	7,356,950	B1	4/2008	Avery
5,520,544	A *	5/1996	Manico et al. 434/317	7,376,564	B2	5/2008	Selg et al.
5,534,888	A *	7/1996	Lebby et al. 345/672	7,396,049	B2	7/2008	Nelson
5,577,918	A	11/1996	Crowell	7,429,965	B2	9/2008	Weiner
5,652,606	A	7/1997	Sasaki	7,436,318	B2	10/2008	Affolter
5,761,836	A	6/1998	Dawson	D580,973	S *	11/2008	Turner et al. D19/1
5,778,574	A	7/1998	Reuben	D591,341	S *	4/2009	Fagan D19/3
5,815,954	A	10/1998	Huang	D616,929	S *	6/2010	Krivanek et al. D19/1
5,845,218	A	12/1998	Altschul	2001/0040560	A1	11/2001	Amron
5,901,484	A	5/1999	Seder	2001/0043194	A1	11/2001	Amron
5,912,653	A	6/1999	Fitch	2004/0150983	A1	8/2004	Sexton
6,030,089	A	2/2000	Parker	2004/0248073	A1	12/2004	Pinkerman
6,064,855	A *	5/2000	Ho 434/317	2005/0011776	A1	1/2005	Nagel
6,104,306	A	8/2000	Hogue et al.	2005/0119023	A1	6/2005	Sudo et al.
6,126,201	A	10/2000	Pace et al.	2005/0194434	A1	9/2005	Trent, Jr.
6,226,959	B1	5/2001	Krasuski et al.	2005/0270280	A1	12/2005	Riback
6,279,170	B1	8/2001	Chu	2005/0271354	A1	12/2005	Yeh
6,286,873	B1	9/2001	Seder	2006/0134591	A1	6/2006	Karat
6,369,793	B1	4/2002	Parker	2007/0069883	A1	3/2007	Collier, Jr.
6,445,347	B1	9/2002	Yoshimi	2007/0171278	A1	7/2007	Chen
6,525,706	B1	2/2003	Rehkemper	2007/0215694	A1	9/2007	Clegg
6,573,880	B1	6/2003	Simoni	2008/0010871	A1	1/2008	Holmes
6,591,523	B2	7/2003	Pines	2008/0289230	A1	11/2008	Mandelbaum et al.
6,693,515	B2	2/2004	Clapper	2009/0027566	A1	1/2009	Wargon
6,754,344	B2	6/2004	Kohli et al.	2009/0211126	A1	8/2009	Oh
6,788,283	B1	9/2004	Blotky	2009/0238544	A1	9/2009	Orsini
6,895,261	B1	5/2005	Palamides	2010/0005377	A1	1/2010	Batan

* cited by examiner

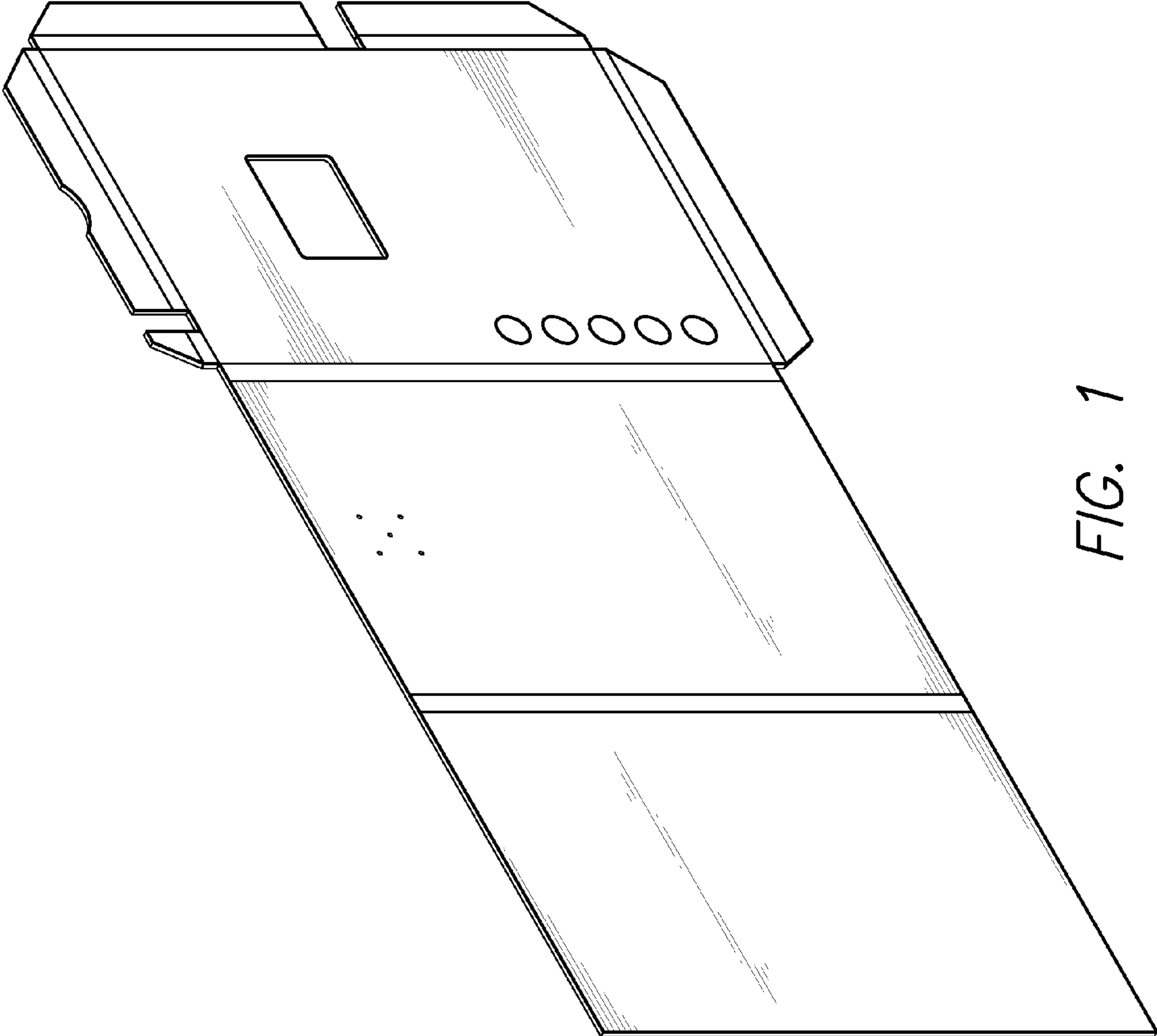


FIG. 1

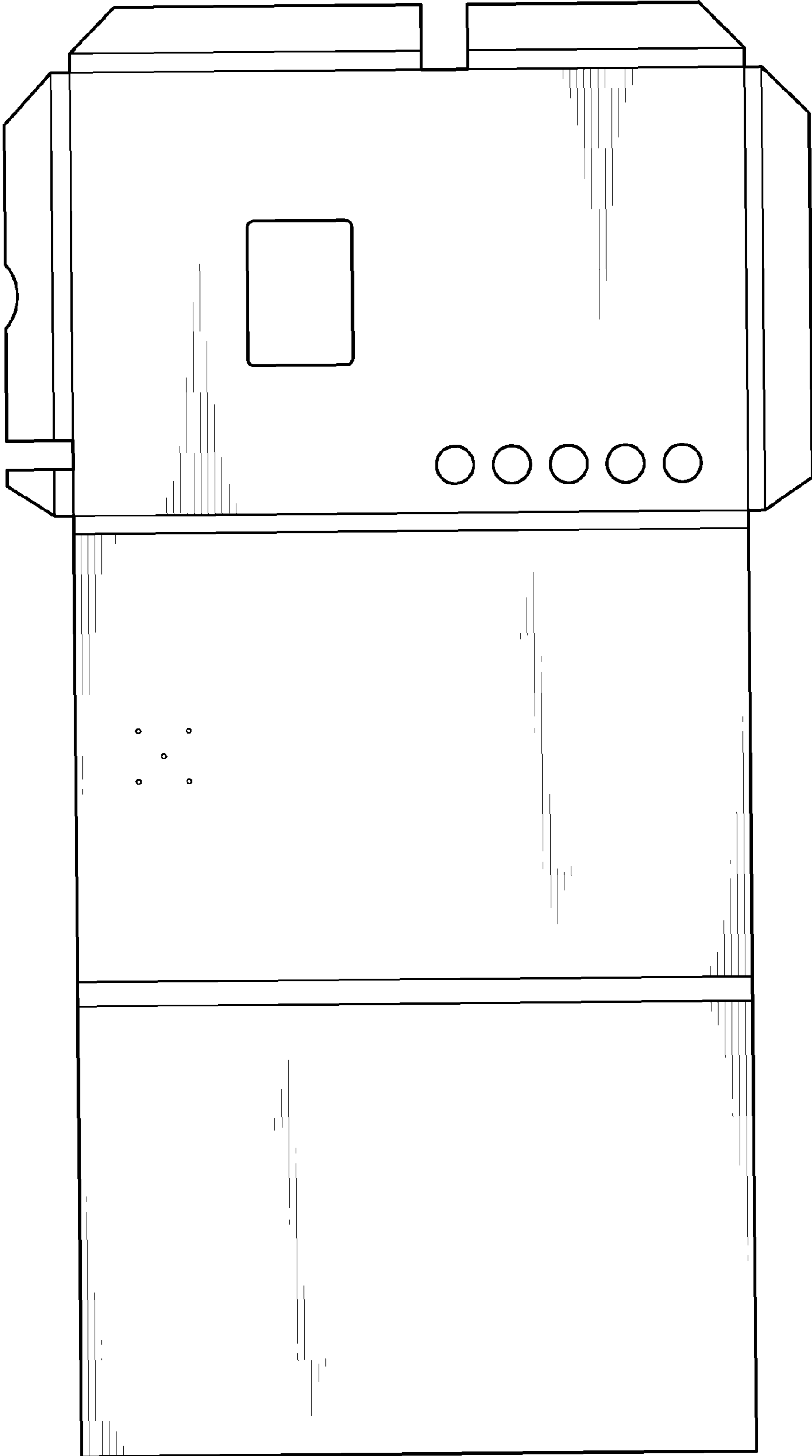


FIG. 2



FIG. 3



FIG. 4

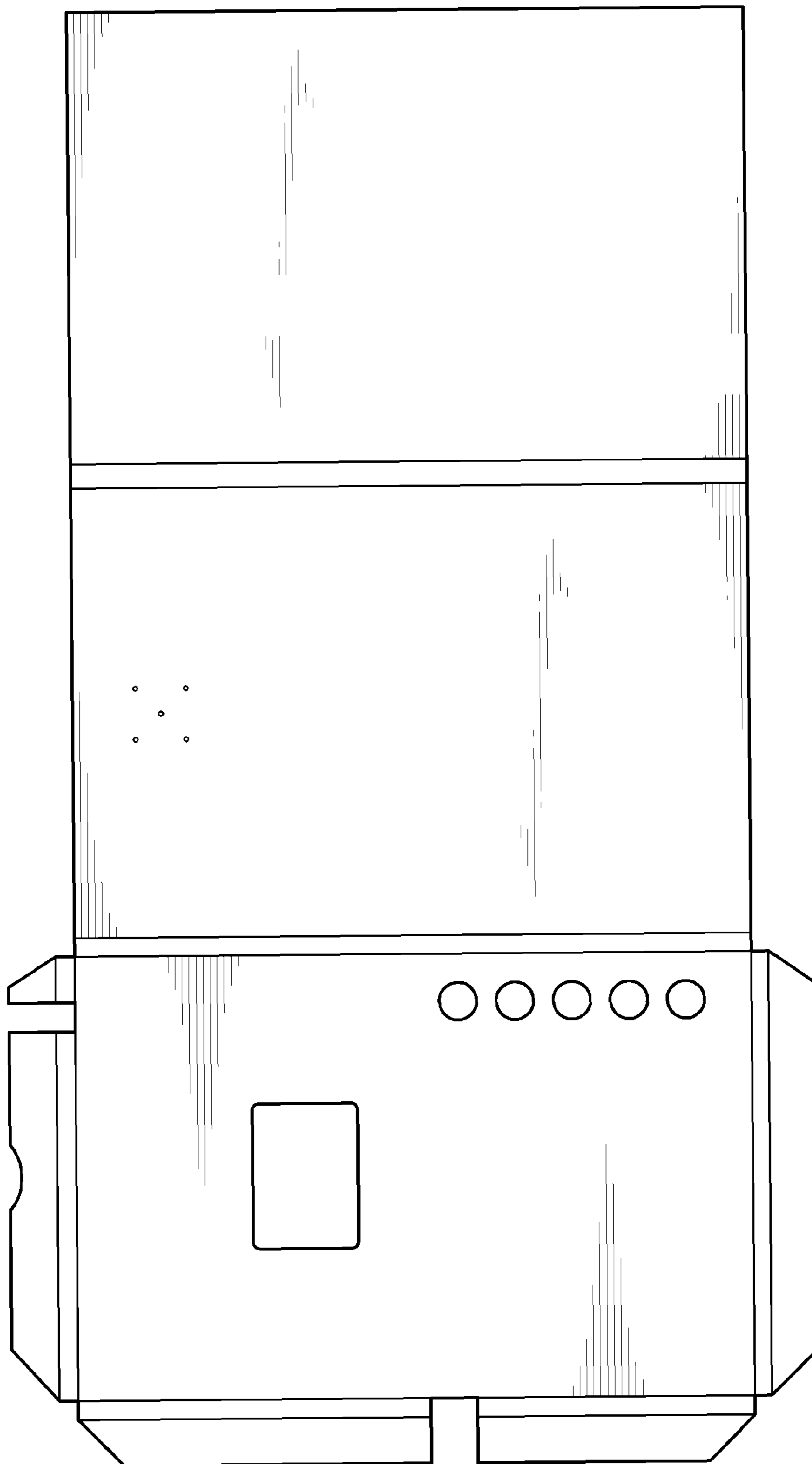


FIG. 5



FIG. 6



FIG. 7