



US00D629440S

(12) **United States Design Patent**  
**Newman**

(10) **Patent No.:** **US D629,440 S**

(45) **Date of Patent:** **\*\* Dec. 21, 2010**

(54) **CAMERA MOUNT**

(75) Inventor: **Peter Newman**, Beeton (CA)

(73) Assignee: **Head North Incorporated**, Beeton (CA)

(\*\*) Term: **14 Years**

(21) Appl. No.: **29/355,143**

(22) Filed: **Feb. 3, 2010**

(51) **LOC (9) Cl.** ..... **16-05**

(52) **U.S. Cl.** ..... **D16/242**

(58) **Field of Classification Search** ..... D16/242,  
D16/244, 245; 248/177.1, 187.1, 183.3;  
352/243; 396/419, 421, 428

See application file for complete search history.

(56) **References Cited**

**U.S. PATENT DOCUMENTS**

D245,988 S *	10/1977	Miller	.....	D16/245
D246,528 S *	11/1977	Miller	.....	D16/245
6,827,319 B2 *	12/2004	Mayr	.....	248/187.1
7,287,731 B2 *	10/2007	Johnson	.....	248/183.3
D596,658 S *	7/2009	Dordick	.....	D16/242
D603,442 S *	11/2009	Dordick	.....	D16/242
D607,038 S *	12/2009	Carlesso	.....	D16/245

\* cited by examiner

*Primary Examiner*—Adir Aronovich

(74) *Attorney, Agent, or Firm*—Kevin Holbeche; Fasken Martineau DuMoulin LLP

(57) **CLAIM**

The ornamental design for a camera mount, as shown and described.

**DESCRIPTION**

FIG. 1 is top rear right side perspective view of a camera mount embodying my design, showing an inflated portion thereof in a first position;

FIG. 2 is a rear elevational view of the camera mount of FIG. 1;

FIG. 3 is a front elevational view of the camera mount of FIG. 1;

FIG. 4 is a right side elevational view of the camera mount of FIG. 1;

FIG. 5 is a left side elevational view of the camera mount of FIG. 1;

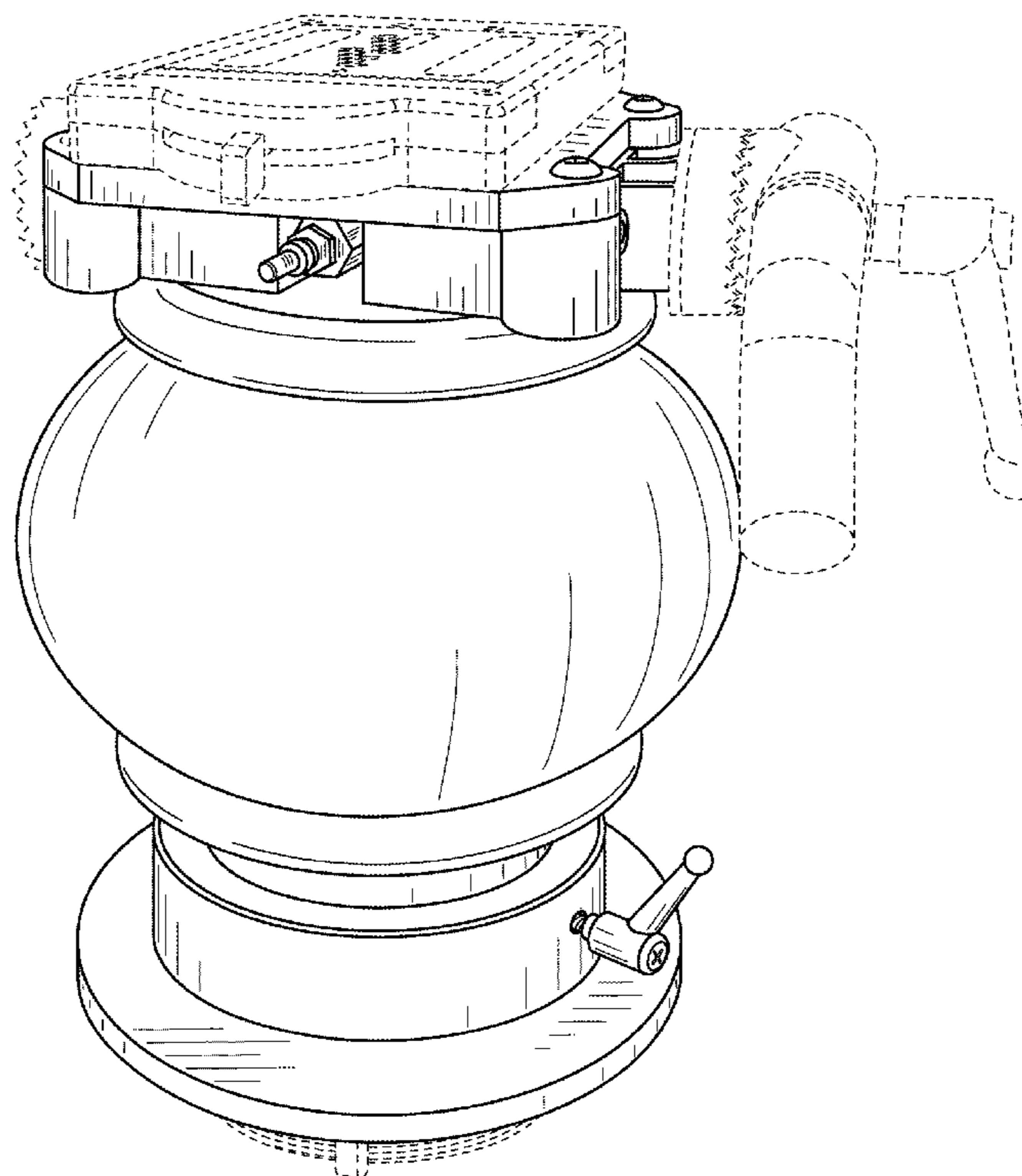
FIG. 6 is a top plan view of the camera mount of FIG. 1;

FIG. 7 is a bottom plan view of the camera mount of FIG. 1; and,

FIG. 8 is a left side elevational view of the camera mount of FIG. 1, showing the inflated portion in a second position.

Features of the camera mount shown in phantom outline are shown for environmental purposes and do not form any part of the claimed design.

**1 Claim, 8 Drawing Sheets**



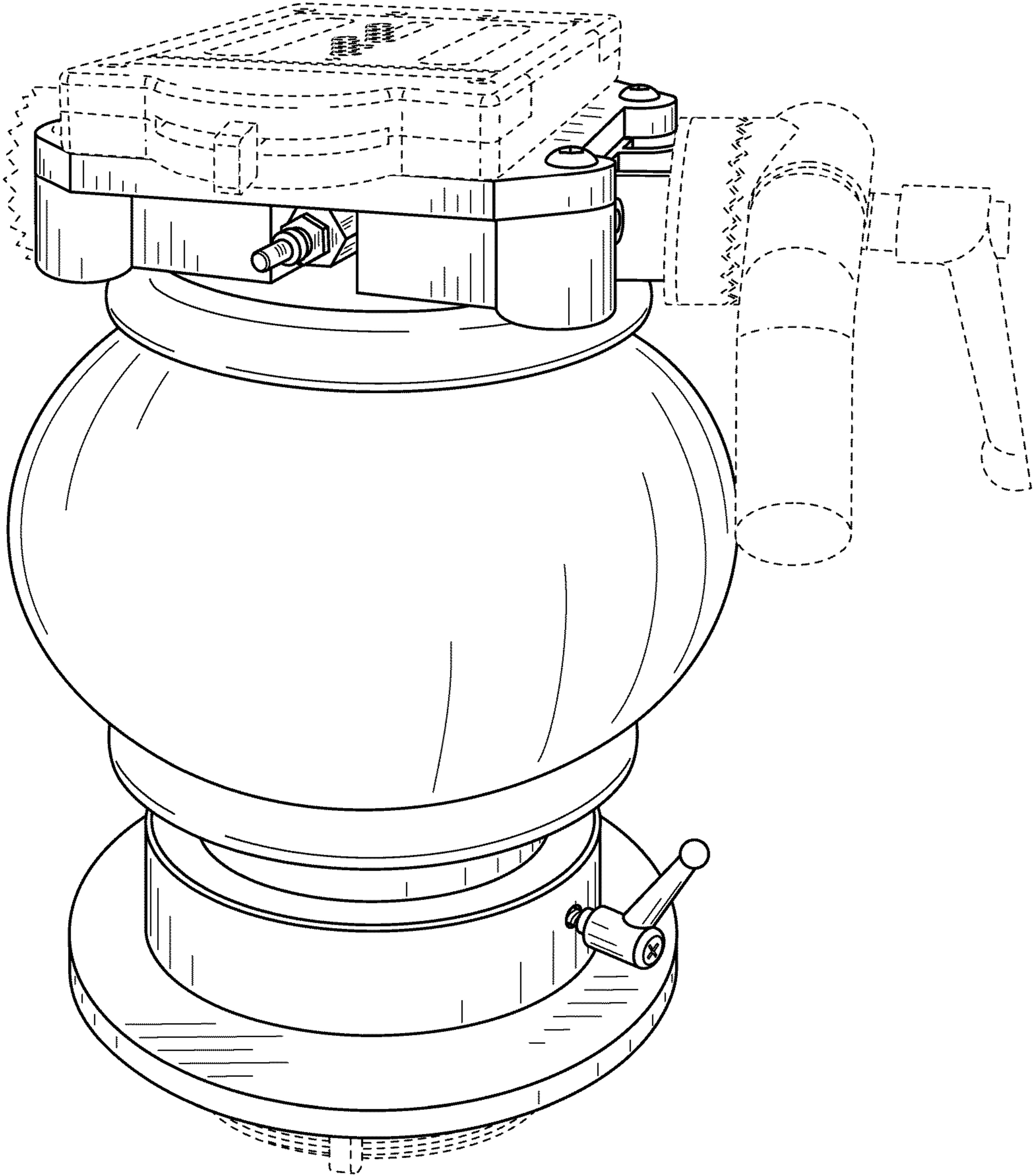


FIG. 1

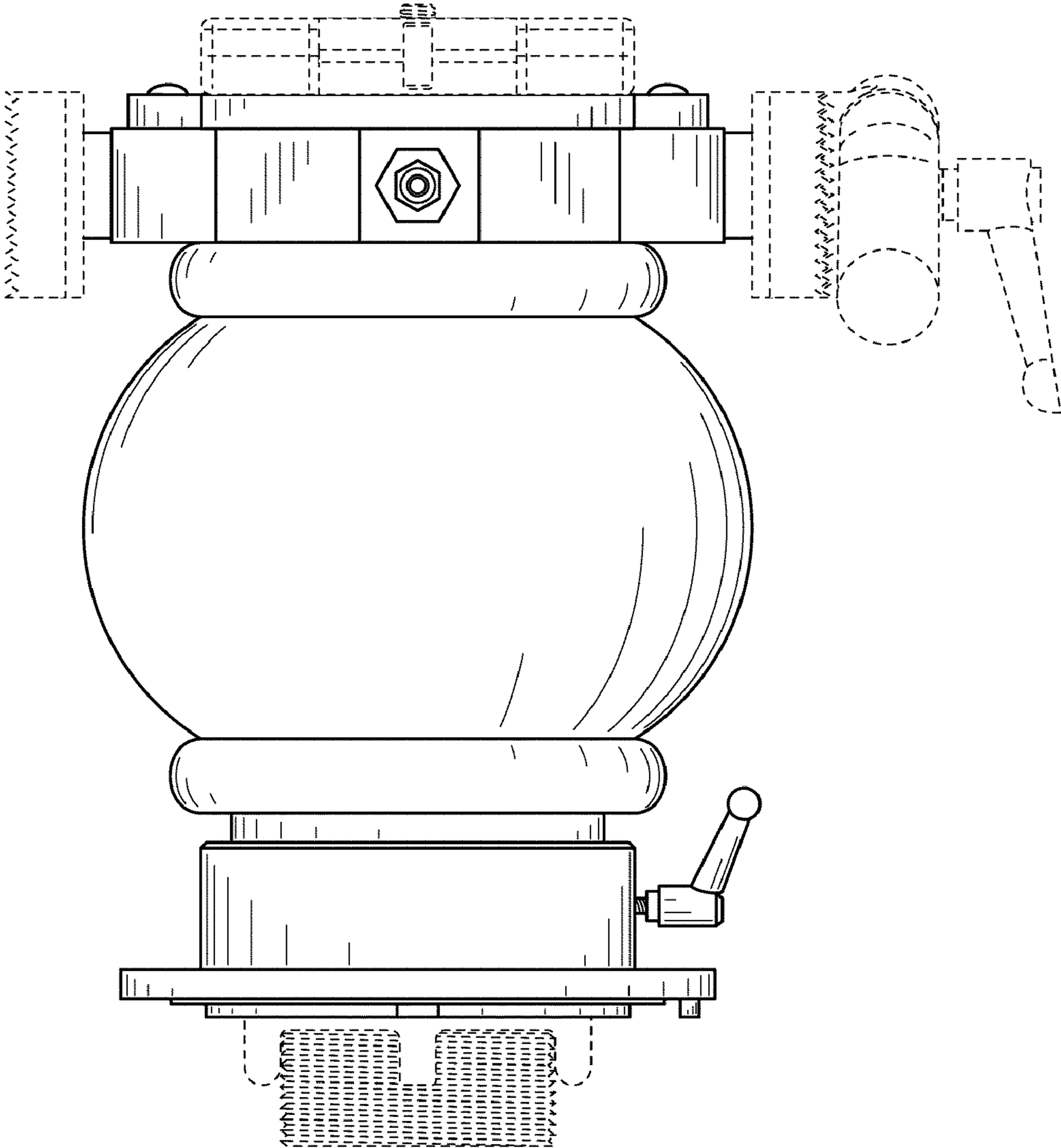


FIG. 2

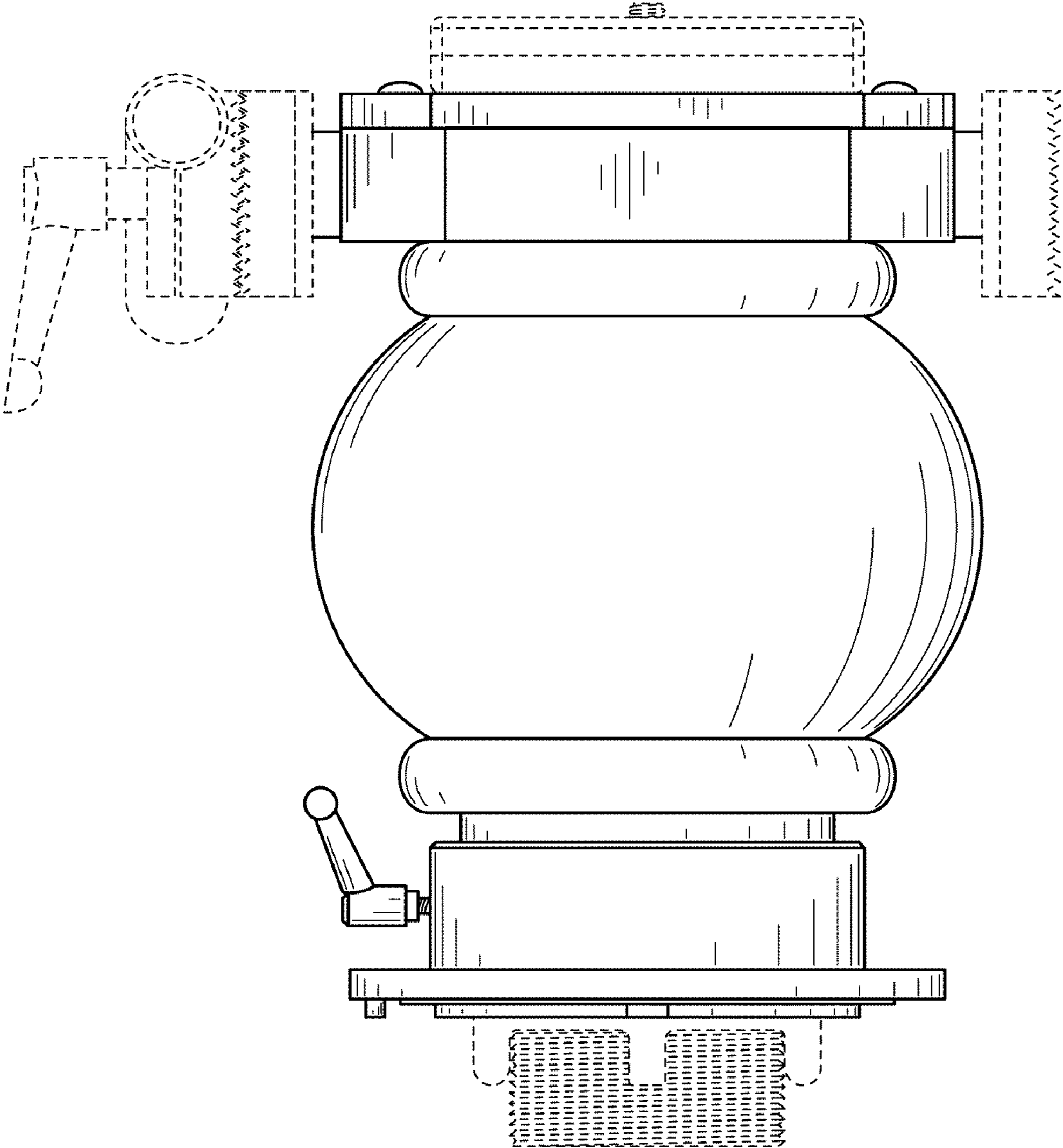


FIG. 3



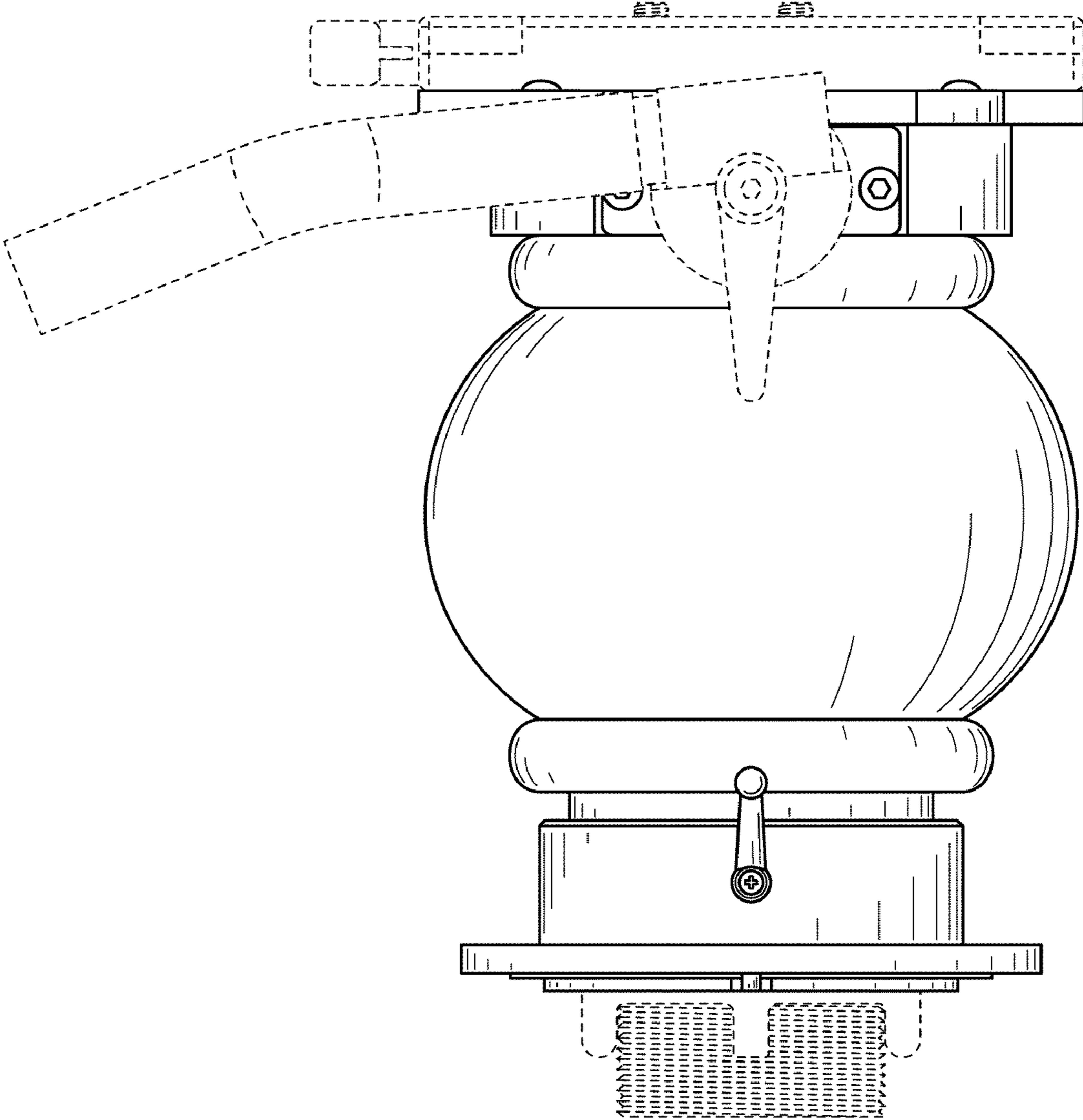


FIG. 4

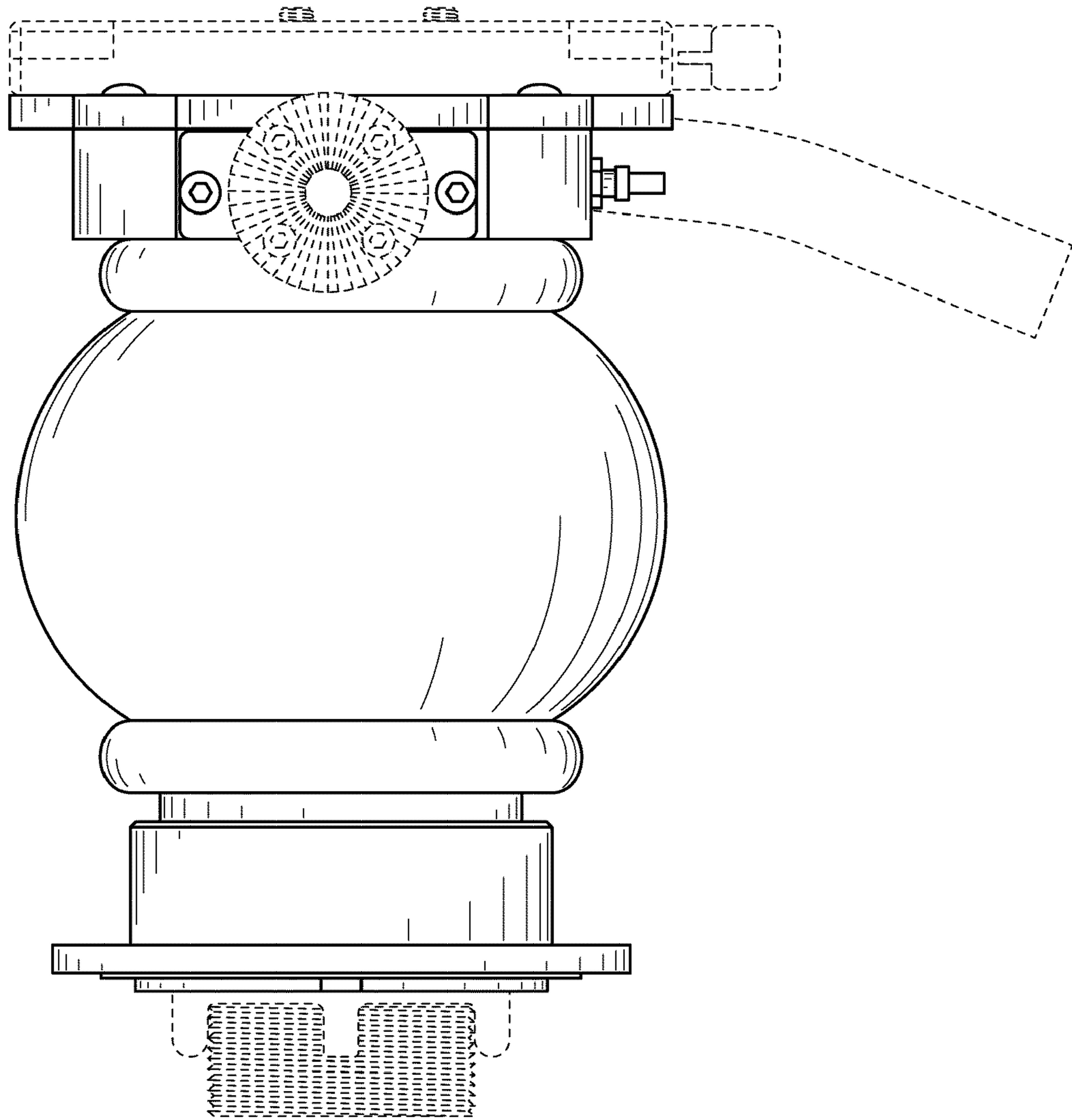


FIG. 5

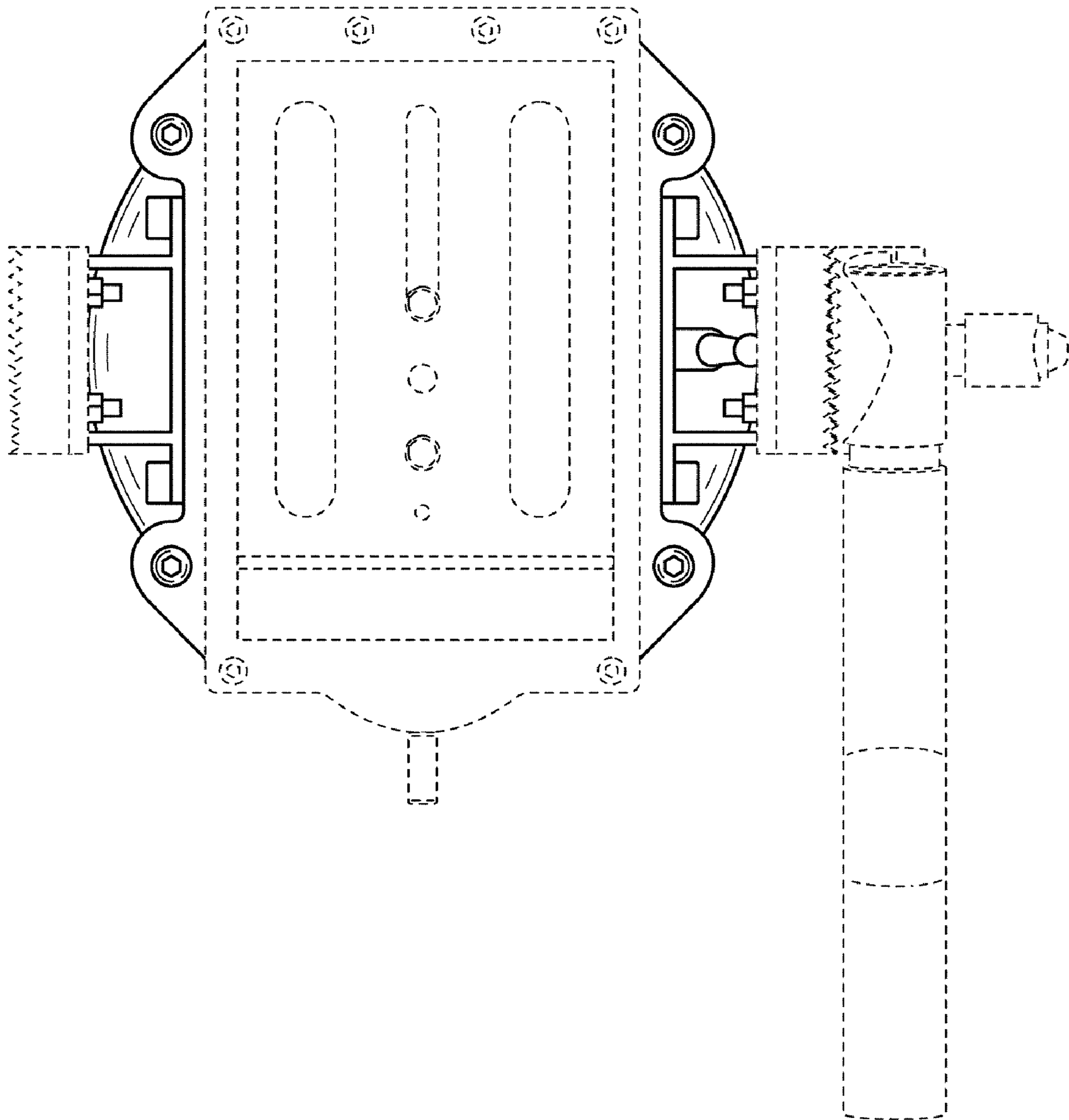


FIG. 6

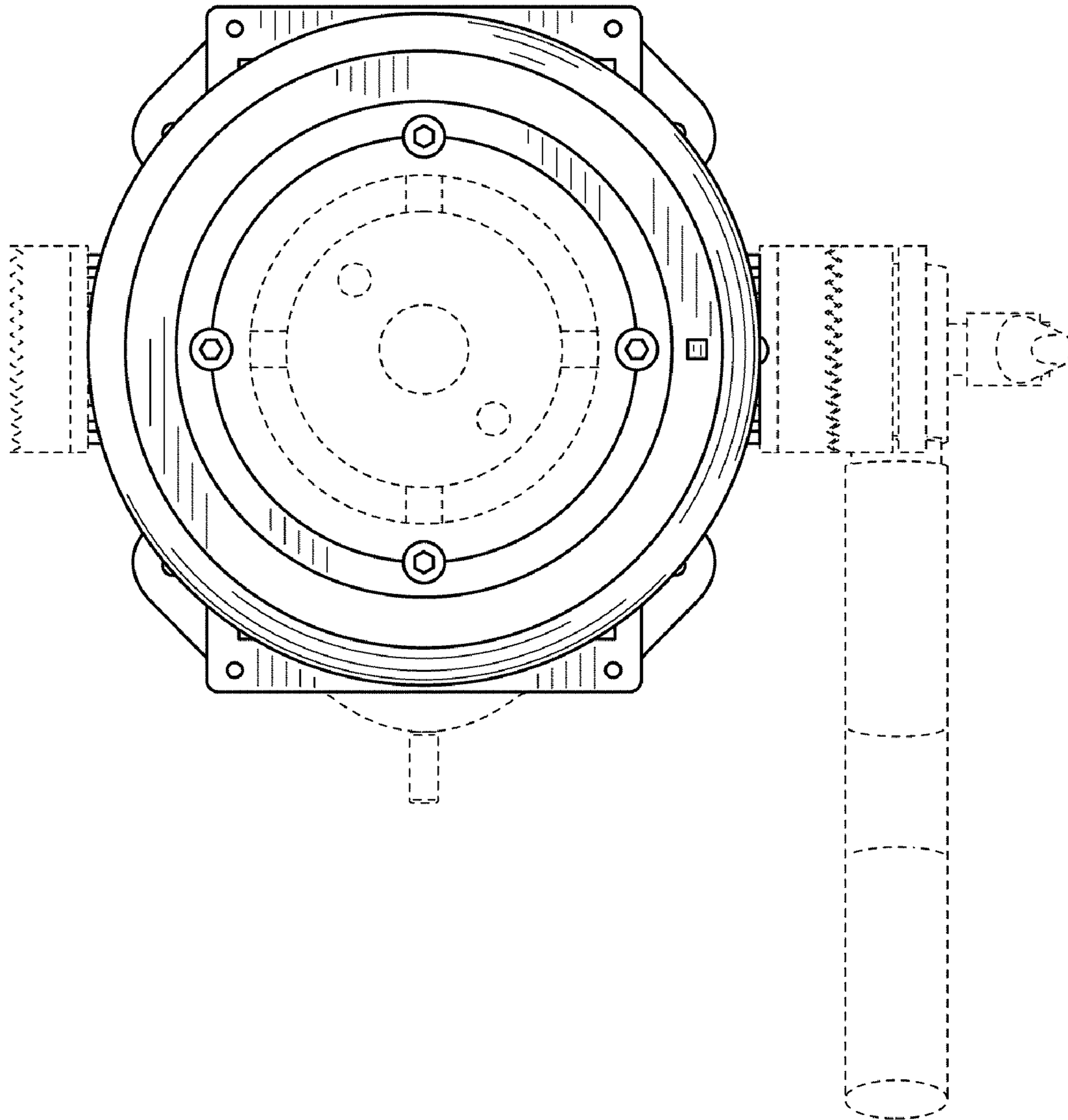


FIG. 7



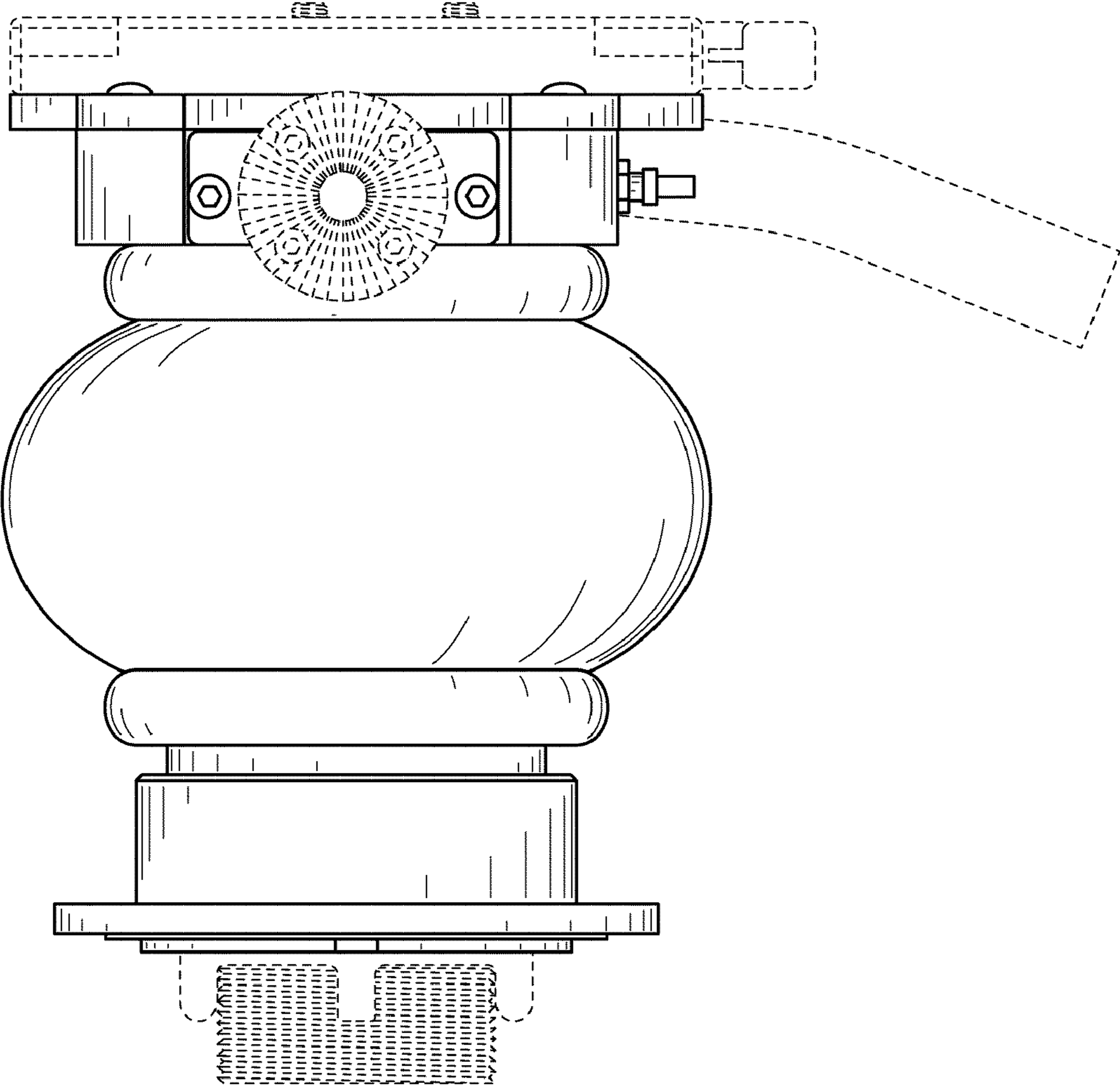


FIG. 8