



US00D629439S

(12) **United States Design Patent**
Yoshida

(10) **Patent No.:** **US D629,439 S**
(45) **Date of Patent:** **** Dec. 21, 2010**

(54) **TELEVISION CAMERA**

7,609,321 B2 * 10/2009 Yamane 348/373

(75) Inventor: **Tomoya Yoshida**, Kanagawa (JP)

(73) Assignee: **Panasonic Corporation**, Osaka (JP)

(**) Term: **14 Years**

(21) Appl. No.: **29/359,902**

(22) Filed: **Apr. 16, 2010**

(30) **Foreign Application Priority Data**

Nov. 2, 2009 (JP) 2009-025637

(51) **LOC (9) Cl.** **16-05**

(52) **U.S. Cl.** **D16/219; D16/203**

(58) **Field of Classification Search** D16/200,
D16/202, 203, 204, 208, 218, 219; 348/143,
348/151, 373, 375; 396/427, 535-541
See application file for complete search history.

(56) **References Cited**

U.S. PATENT DOCUMENTS

- 6,268,882 B1 * 7/2001 Elberbaum 348/151
- D502,196 S * 2/2005 Miyazaki D16/203
- D543,567 S * 5/2007 Kato et al. D16/203
- 7,217,045 B2 * 5/2007 Jones 396/427
- D552,650 S * 10/2007 Yamakawa et al. D16/203
- D562,870 S * 2/2008 Komatsu et al. D16/203
- 7,372,645 B2 * 5/2008 Van Schaik et al. 348/143
- D597,117 S * 7/2009 Yamane et al. D16/203

FOREIGN PATENT DOCUMENTS

- JP D1173308 5/2003
- JP D1228000 1/2005
- JP D1228433 1/2005
- JP D1264804 3/2006
- JP D1265211 3/2006

* cited by examiner

Primary Examiner—Adir Aronovich

(74) *Attorney, Agent, or Firm*—Brinks Hofer Gilson & Lione

(57) **CLAIM**

I claim the ornamental design for a television camera, as shown and described.

DESCRIPTION

FIG. 1 is a front, bottom and right side perspective view of a television camera of the present invention;

FIG. 2 is a front elevational view thereof;

FIG. 3 is a rear elevational view thereof;

FIG. 4 is a right side elevational view thereof, the undisclosed left side view being a mirror image thereof;

FIG. 5 is bottom plan view thereof; and,

FIG. 6 is top plan view thereof.

The broken line showing of television camera is included for the purpose of illustrating environment and forms no part of the claimed design.

1 Claim, 6 Drawing Sheets

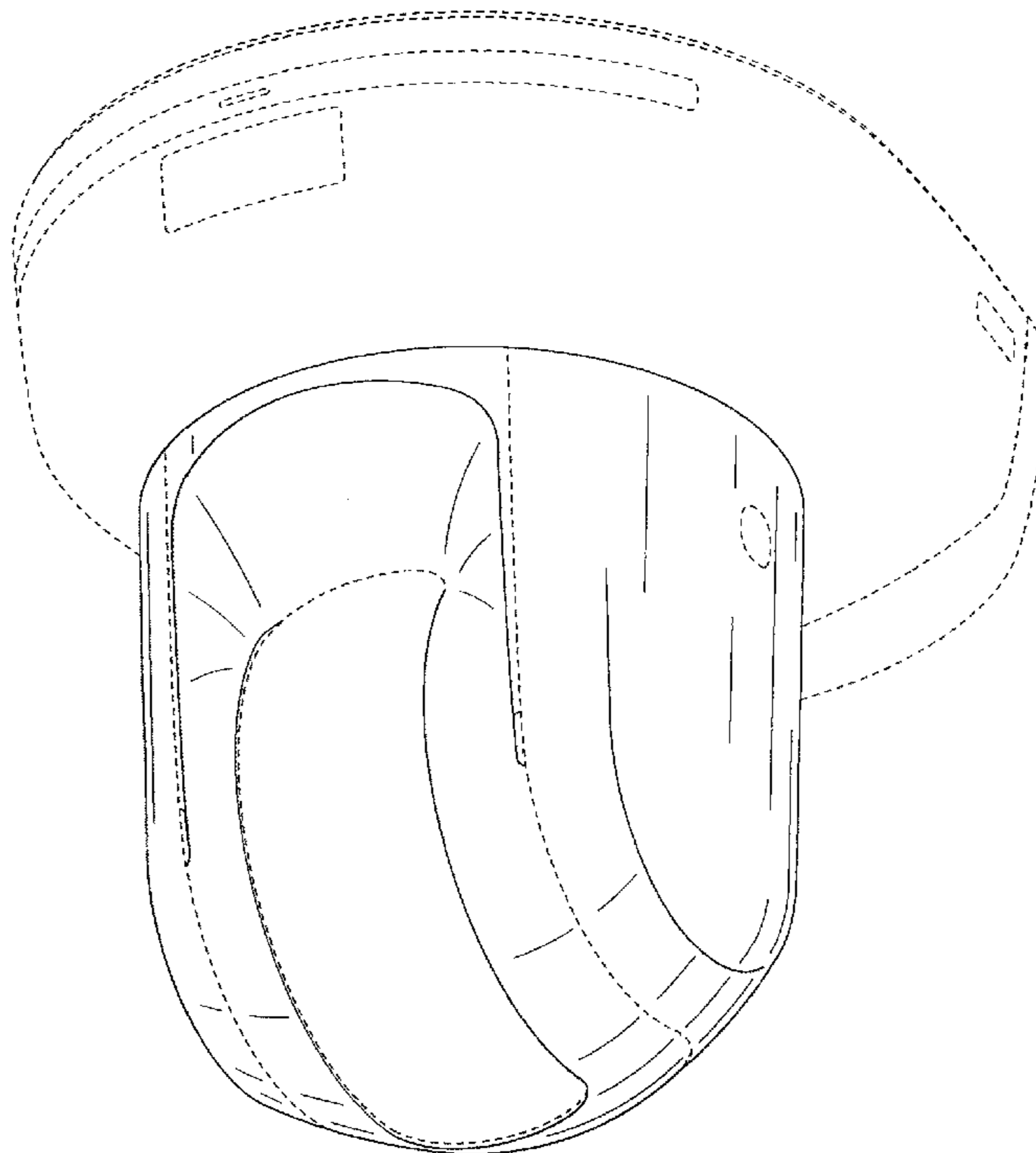


FIG.1

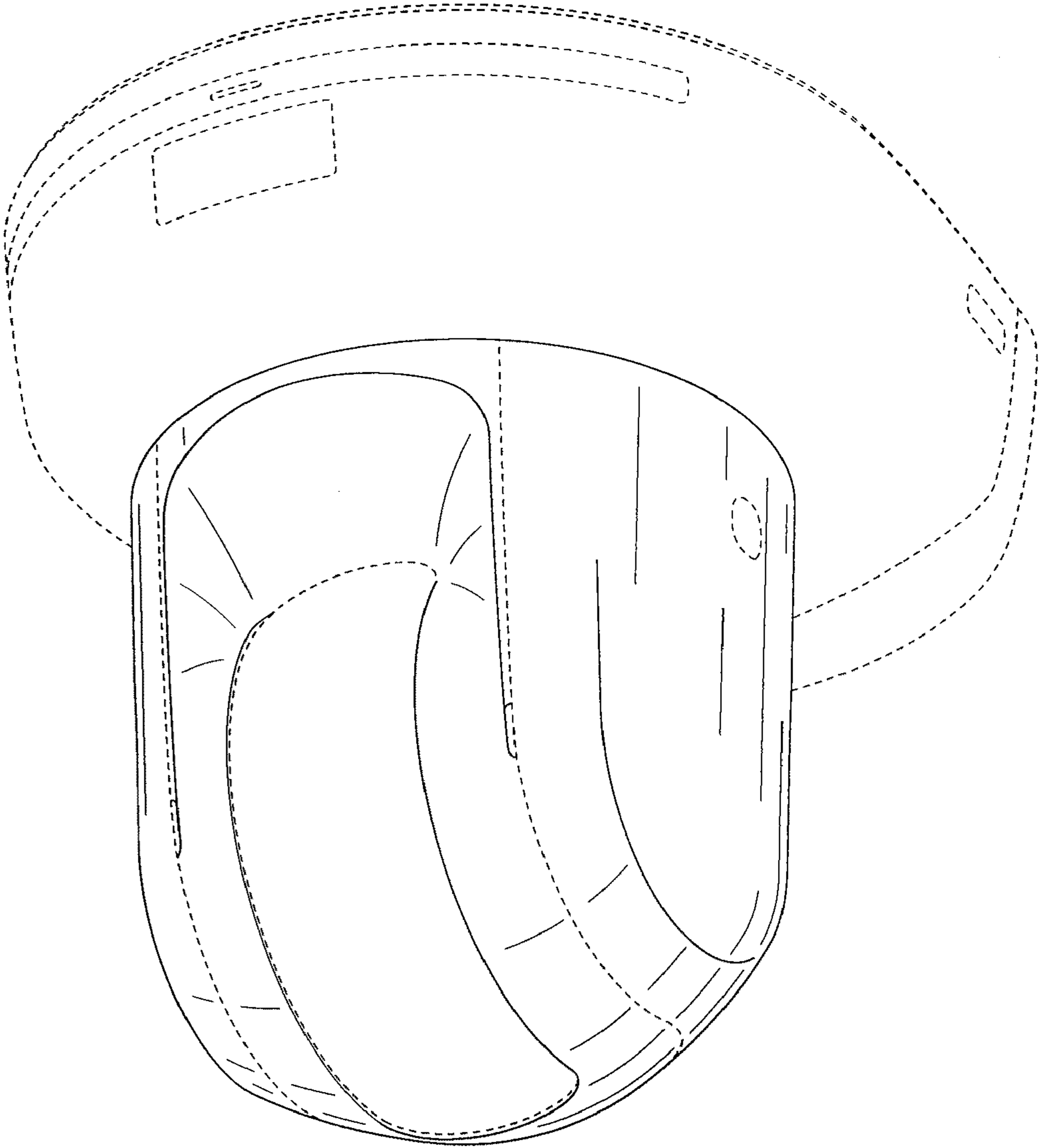


FIG.2

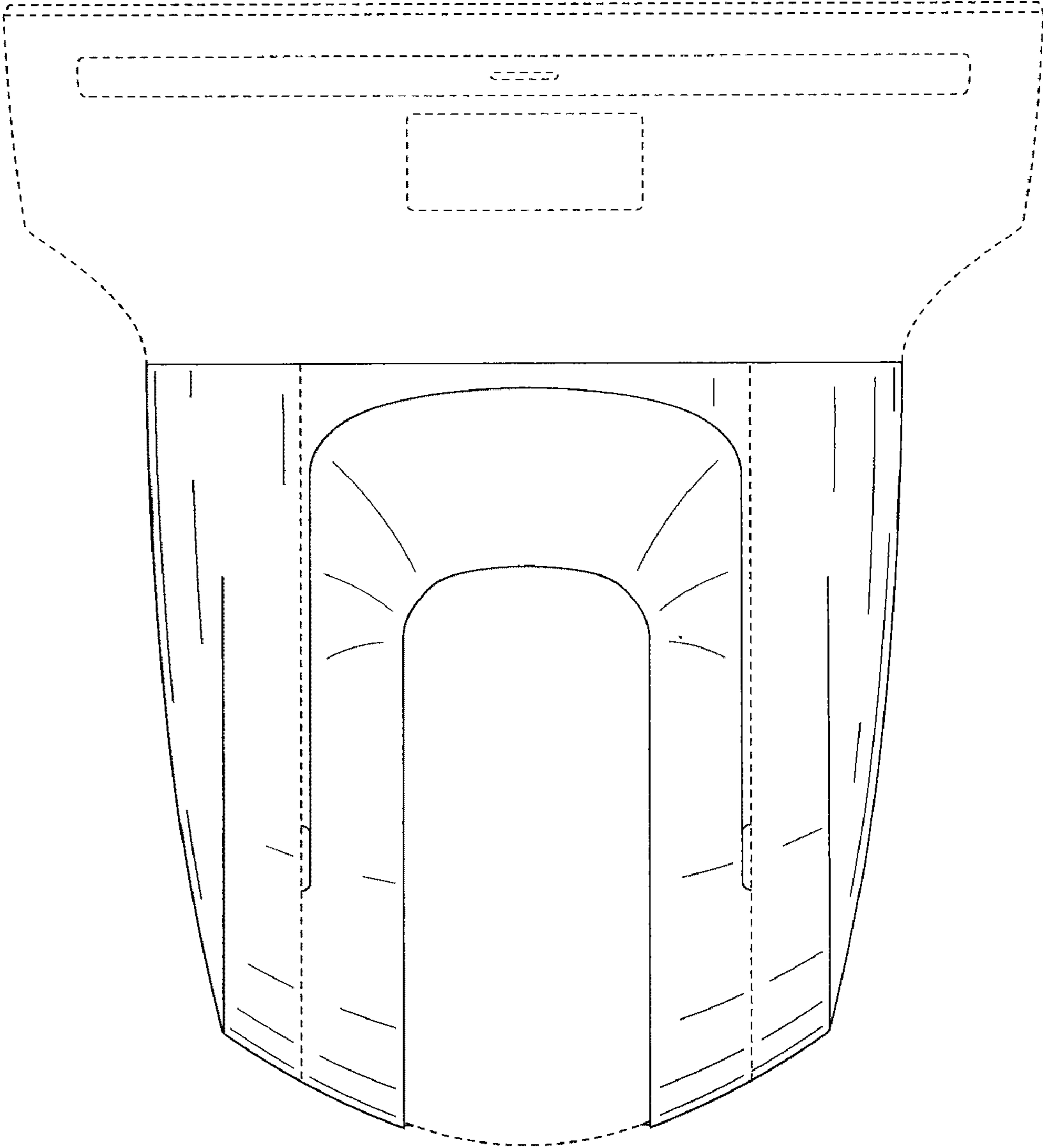


FIG.3

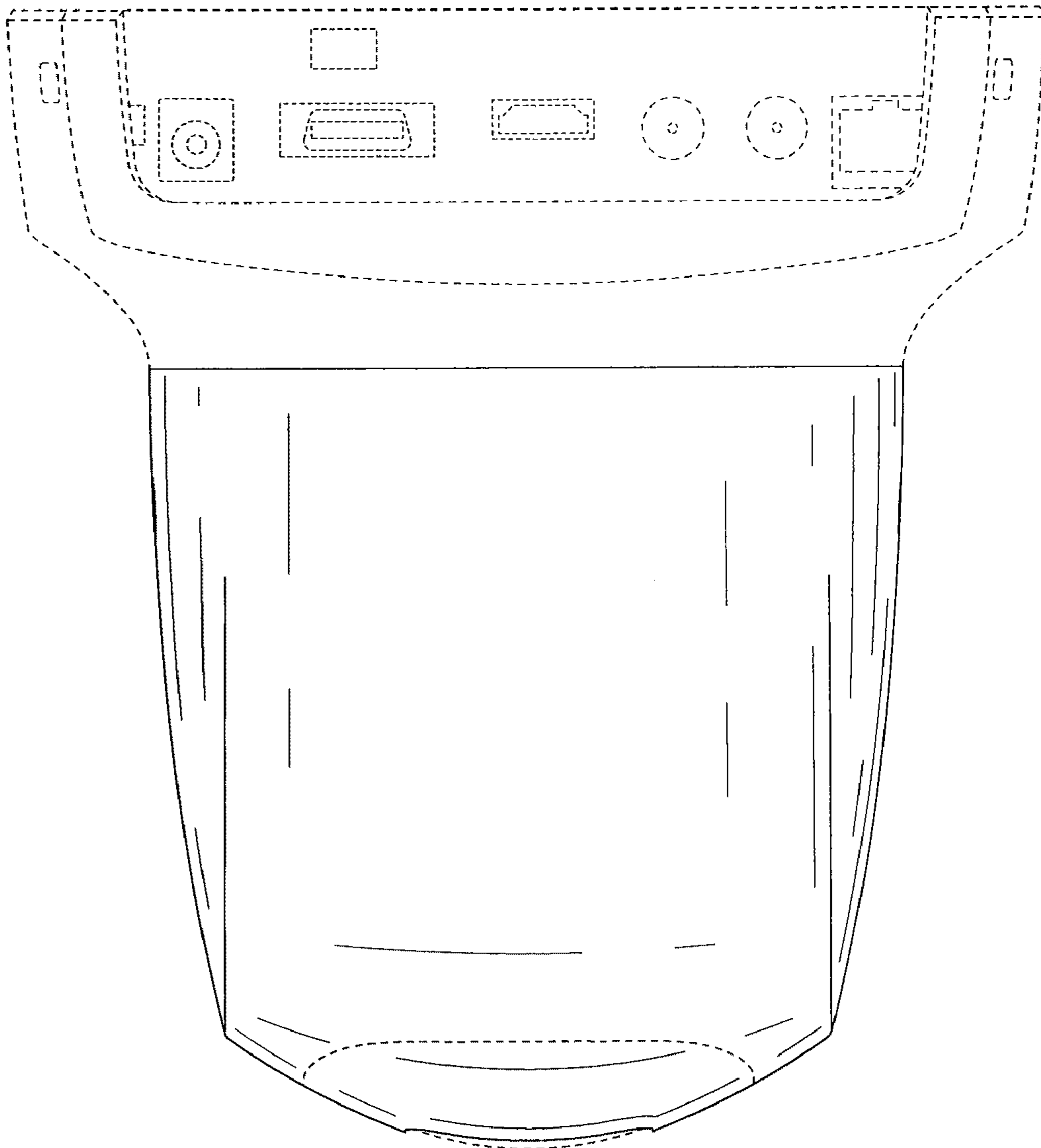


FIG.4

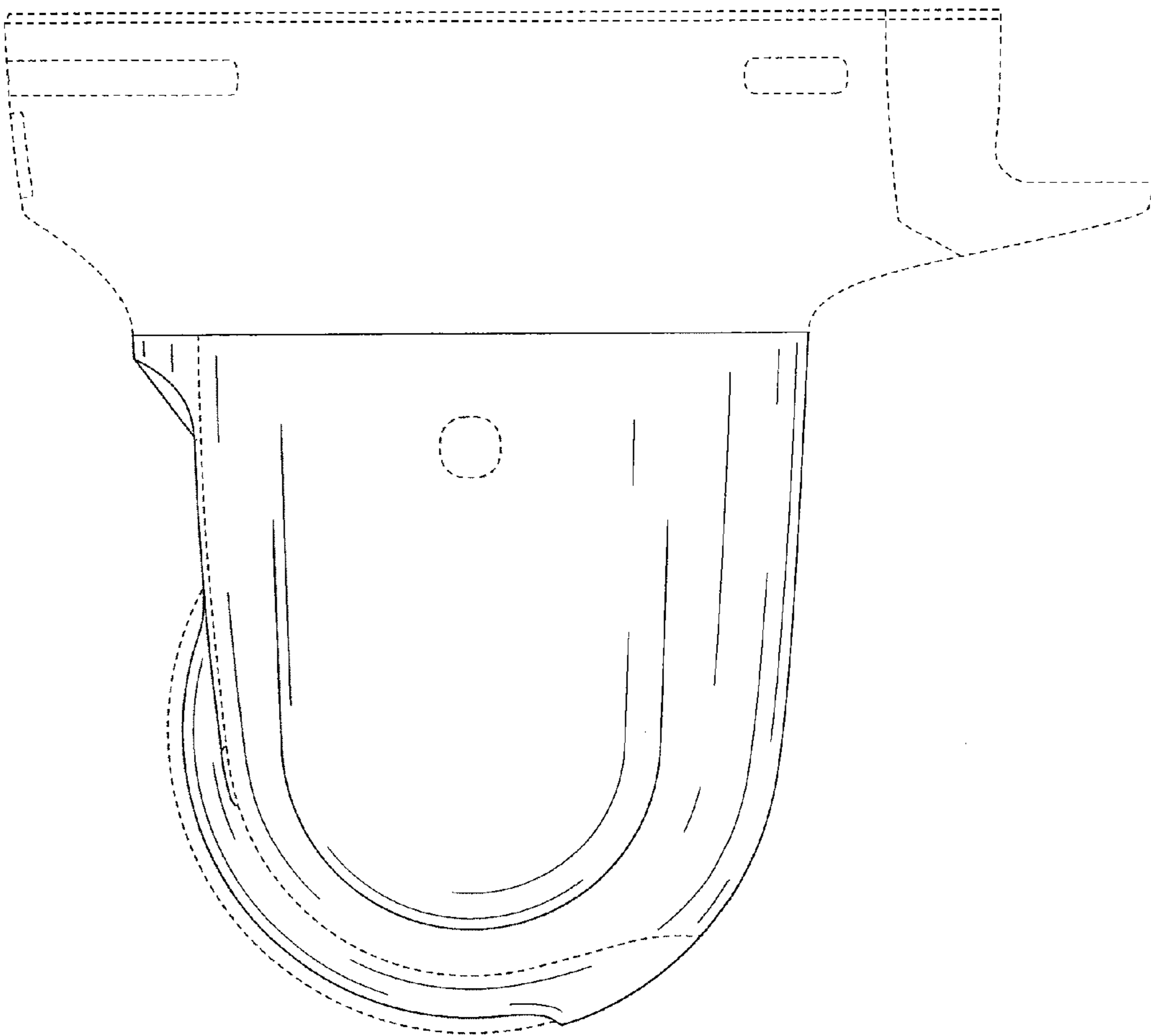


FIG.5

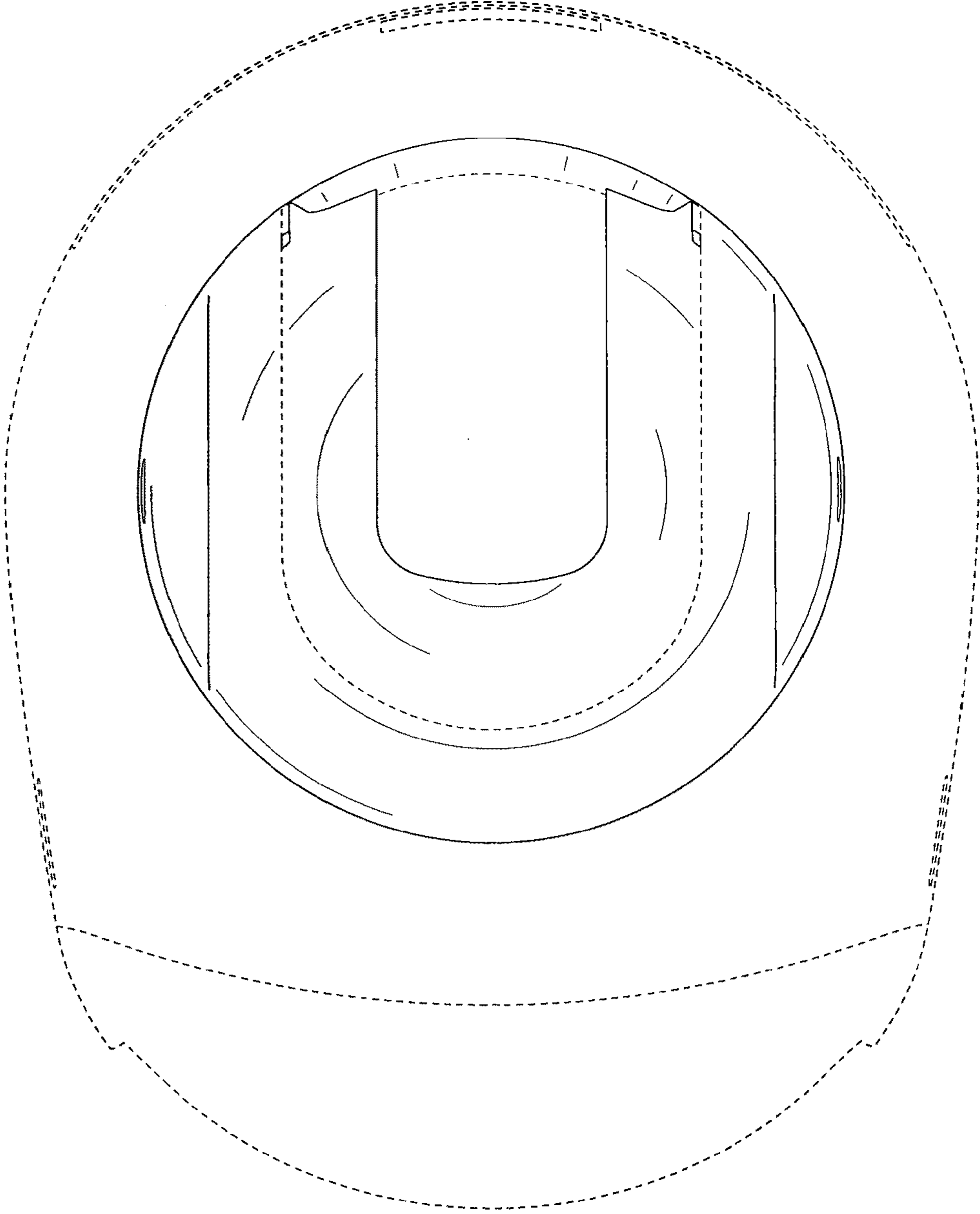


FIG.6

