



US00D629438S

(12) **United States Design Patent**  
**Sakai**

(10) **Patent No.:** **US D629,438 S**

(45) **Date of Patent:** **\*\* Dec. 21, 2010**

(54) **PORTION OF A DIGITAL CAMERA**

(75) Inventor: **Koji Sakai**, Hachioji (JP)

(73) Assignee: **Olympus Imaging Corp.**, Tokyo (JP)

(\*\*) Term: **14 Years**

(21) Appl. No.: **29/355,048**

(22) Filed: **Feb. 2, 2010**

(30) **Foreign Application Priority Data**

Dec. 25, 2009 (JP) ..... 2009-030347

(51) **LOC (9) Cl.** ..... **16-05**

(52) **U.S. Cl.** ..... **D16/219**

(58) **Field of Classification Search** ..... D16/200,  
D16/202, 204, 208, 219; 348/373-376; 358/909.1;  
396/429, 535, 540, 541

See application file for complete search history.

(56) **References Cited**

**U.S. PATENT DOCUMENTS**

D482,379 S *	11/2003	Utsunomiya	.....	D16/219
D532,032 S *	11/2006	Horikiri	.....	D16/219
D541,836 S *	5/2007	Ina et al.	.....	D16/219
D560,704 S *	1/2008	Naito et al.	.....	D16/202
D565,074 S *	3/2008	Shimobayashi	.....	D16/219
D570,393 S *	6/2008	Tajima	.....	D16/219

D620,966 S \* 8/2010 Chin et al. .... D16/219  
2002/0146250 A1 \* 10/2002 Stockton et al. .... 396/429

\* cited by examiner

*Primary Examiner*—Adir Aronovich

(74) *Attorney, Agent, or Firm*—Holtz, Holtz, Goodman & Chick, PC

(57) **CLAIM**

The ornamental design for a portion of a digital camera, as shown and described.

**DESCRIPTION**

FIG. 1 is a rear, top and left side perspective view of a portion of a digital camera, showing my new design;

FIG. 2 is a front elevational view thereof;

FIG. 3 is a rear elevational view thereof;

FIG. 4 is a top plan view thereof;

FIG. 5 is a bottom plan view thereof;

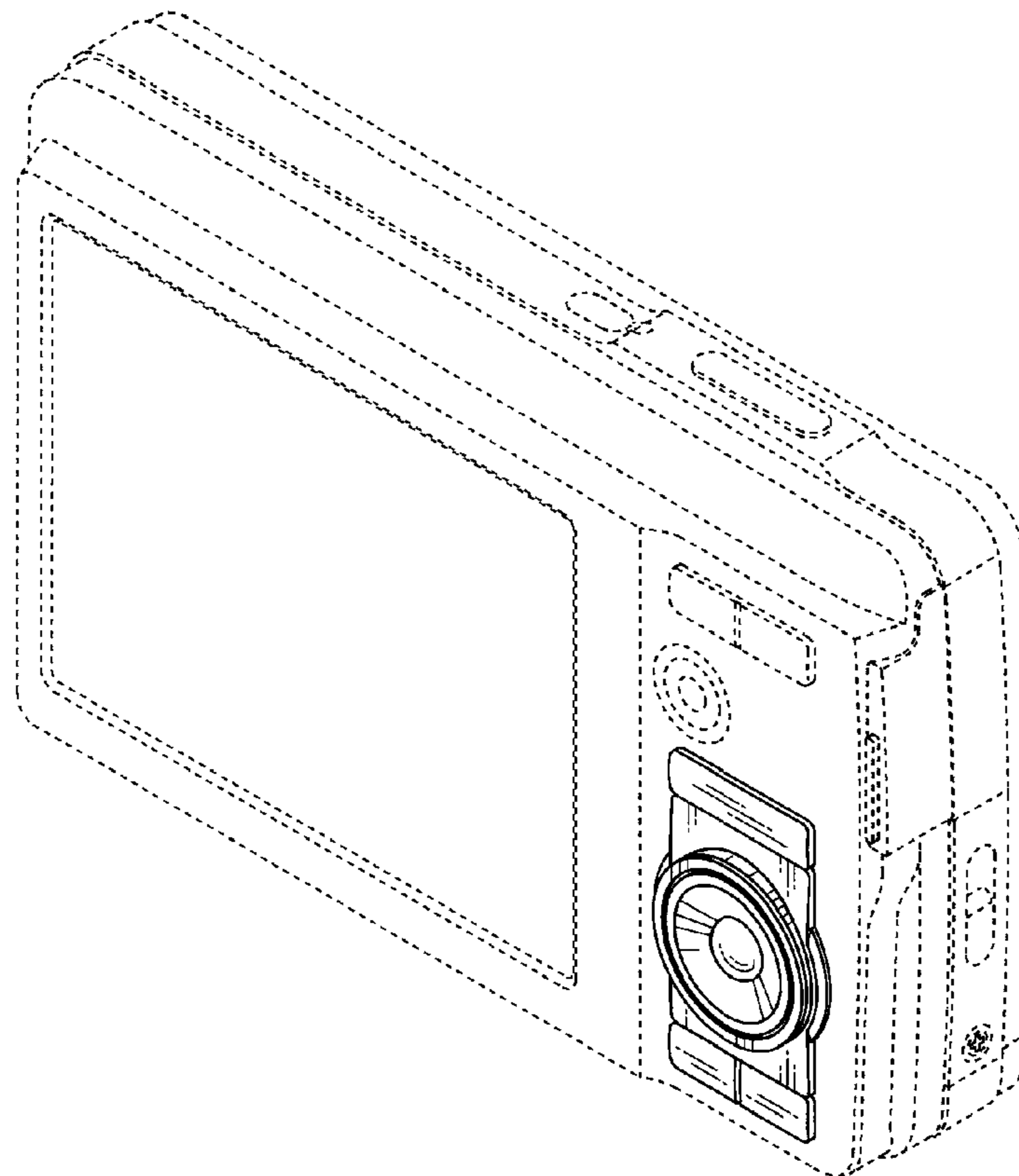
FIG. 6 is a right side elevational view thereof;

FIG. 7 is a left side elevational view thereof; and,

FIG. 8 is a partial enlarged rear perspective view thereof.

The broken lines are for illustrative purposes only and form no part of the claimed design.

**1 Claim, 4 Drawing Sheets**



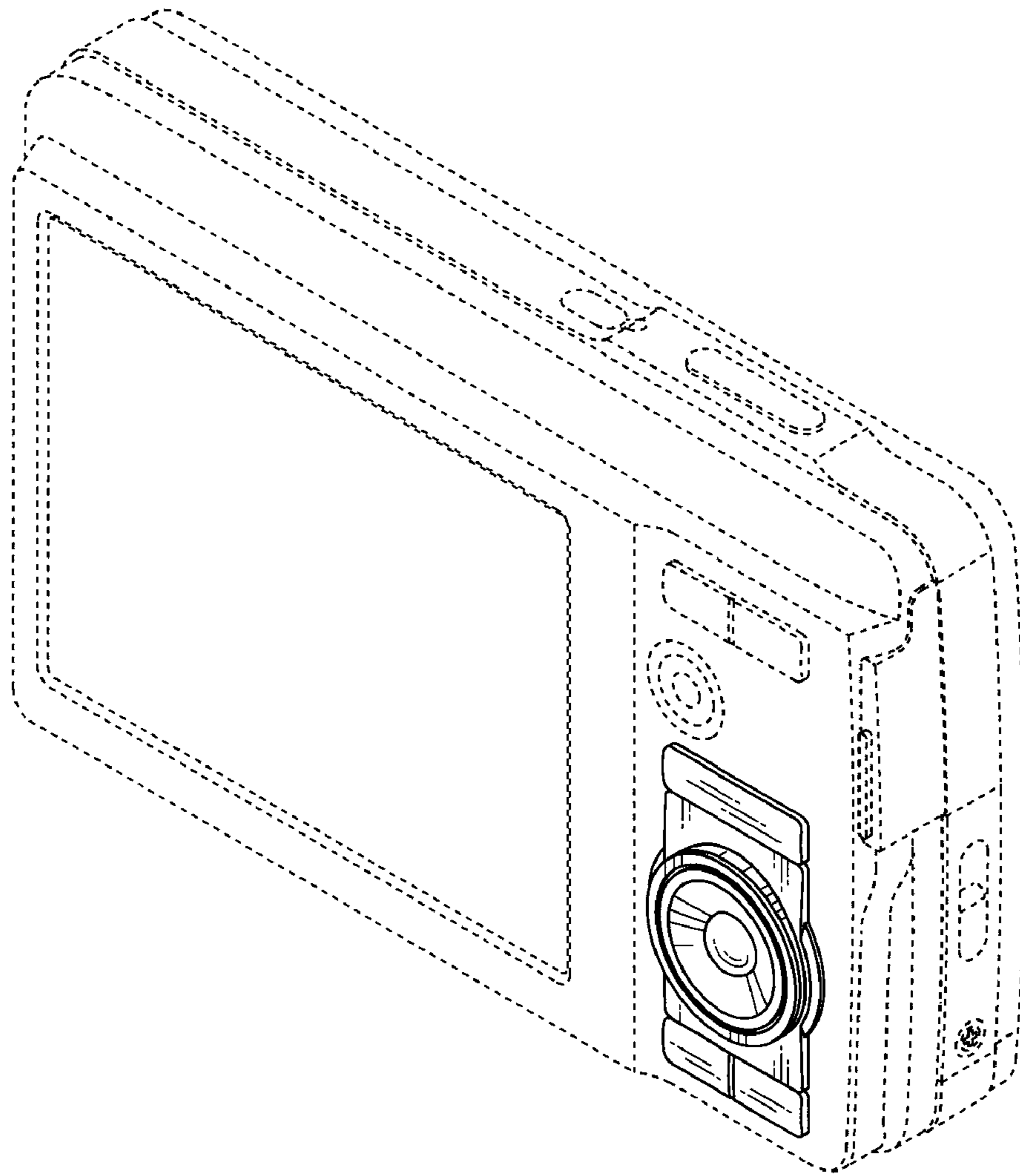


FIG. 1

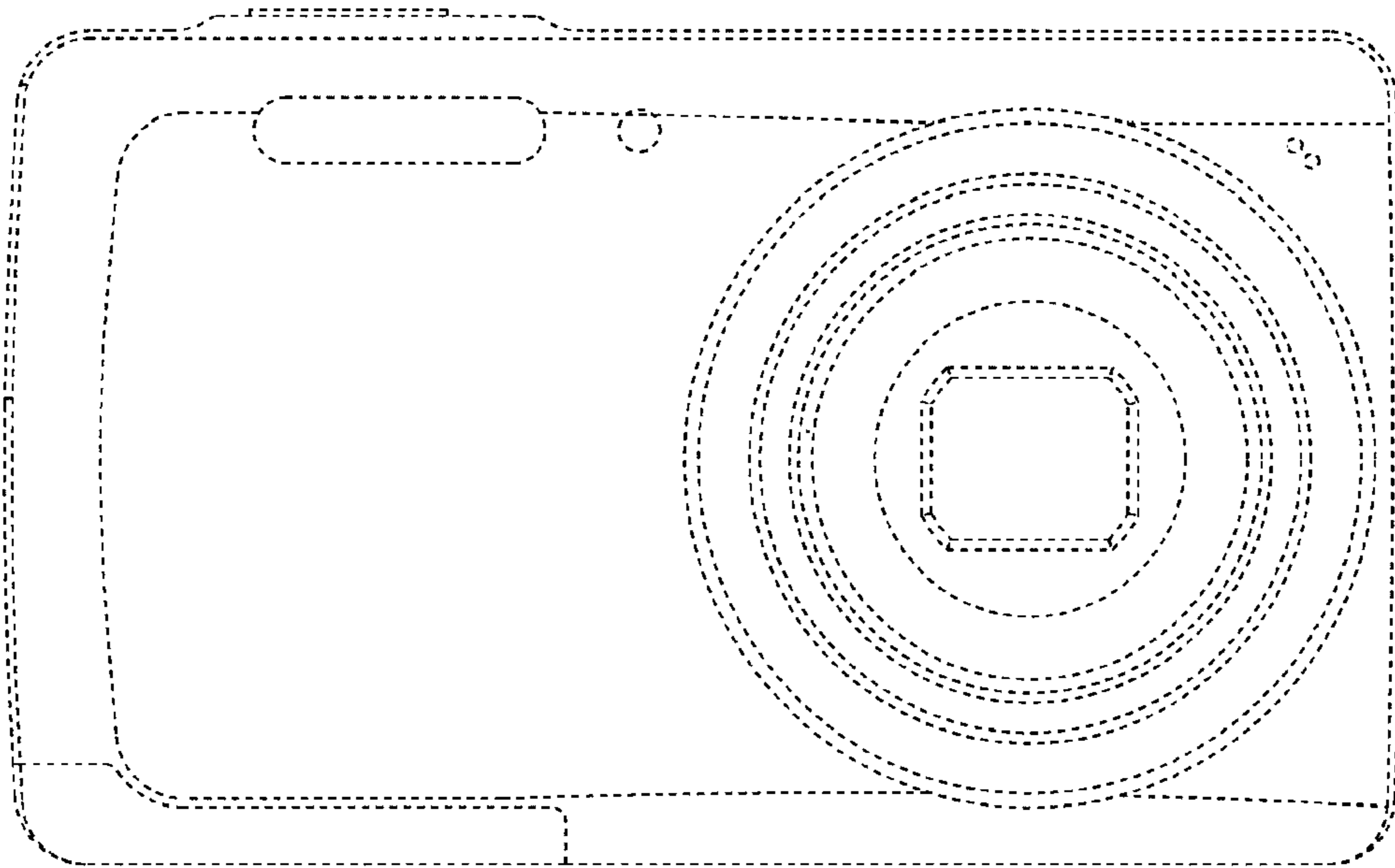


FIG.2

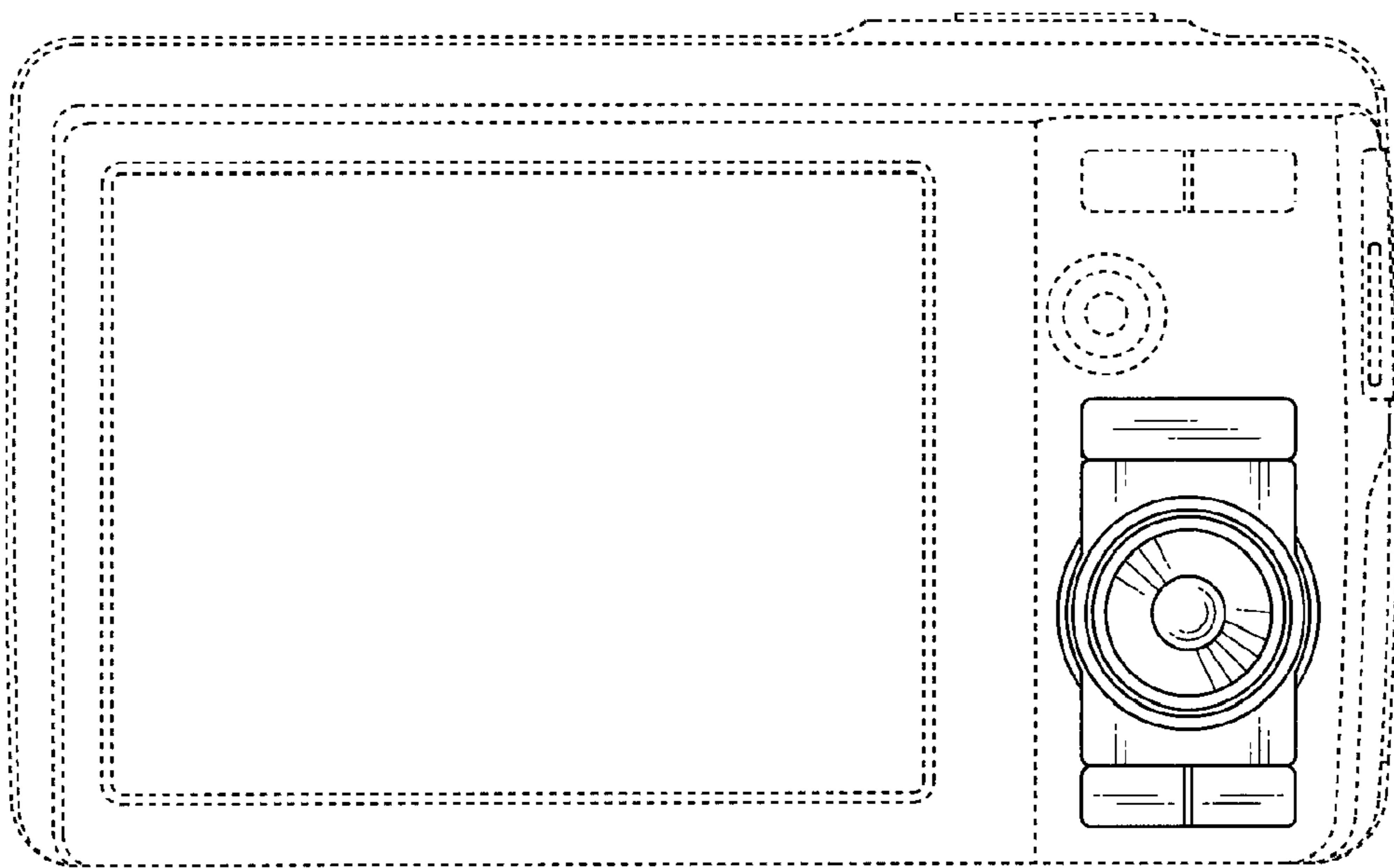


FIG.3

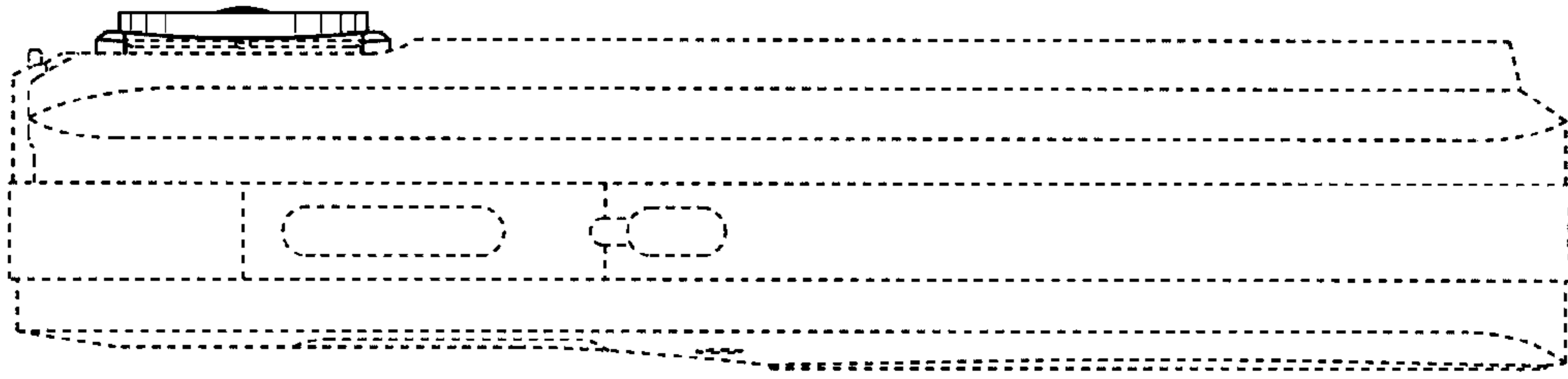


FIG. 4

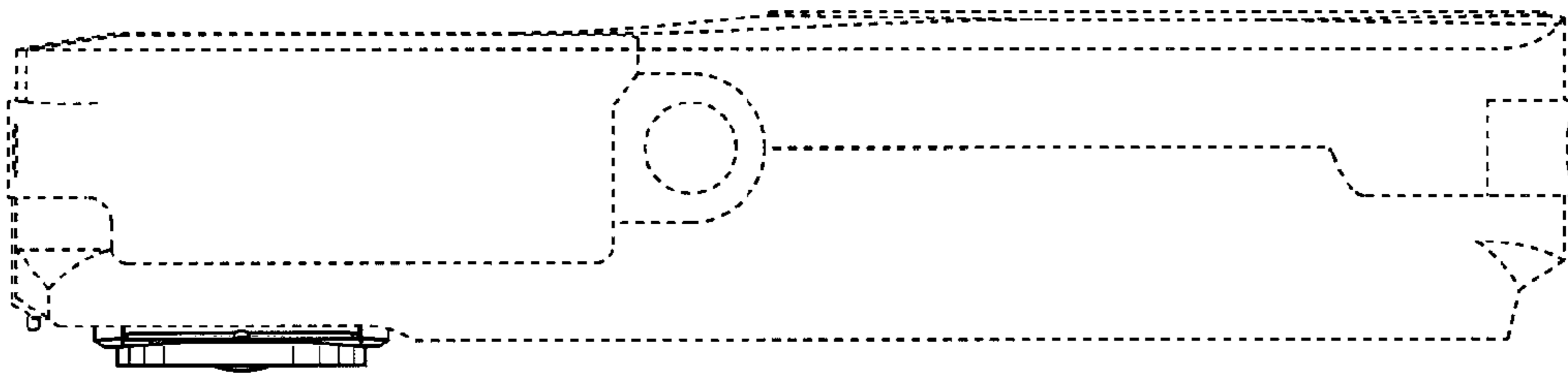


FIG. 5

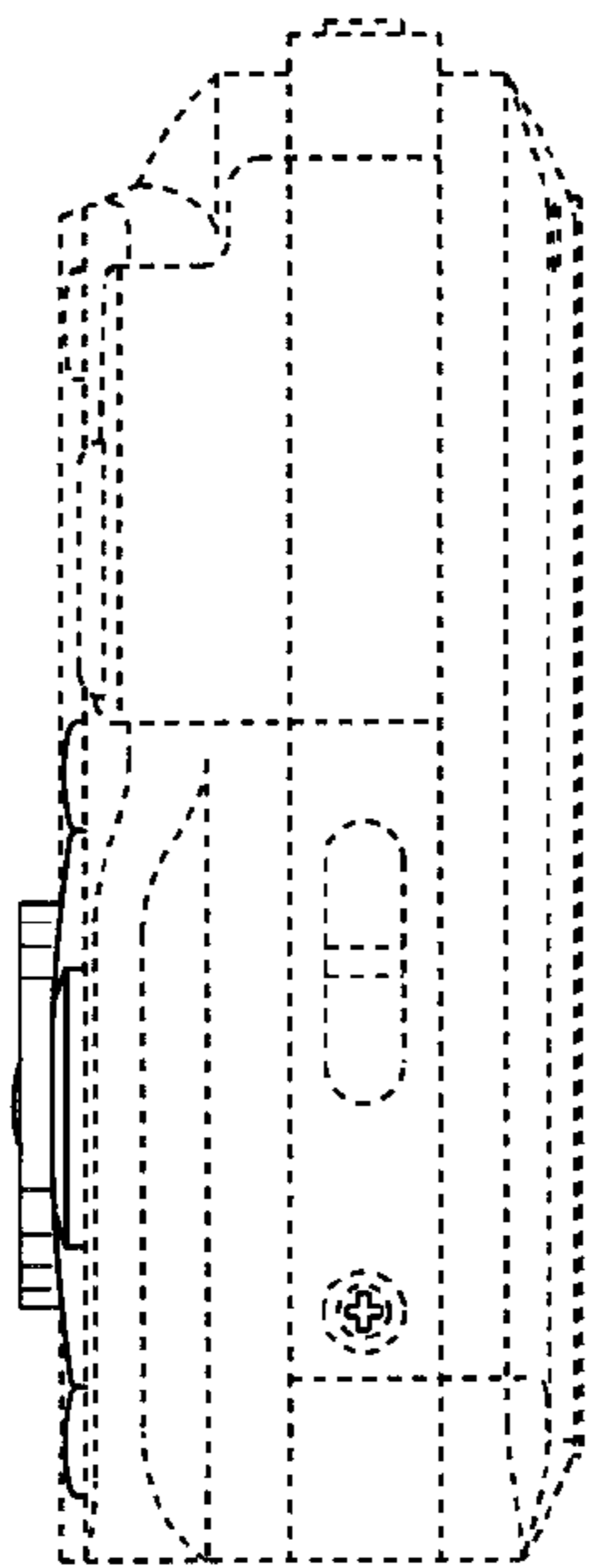


FIG. 7

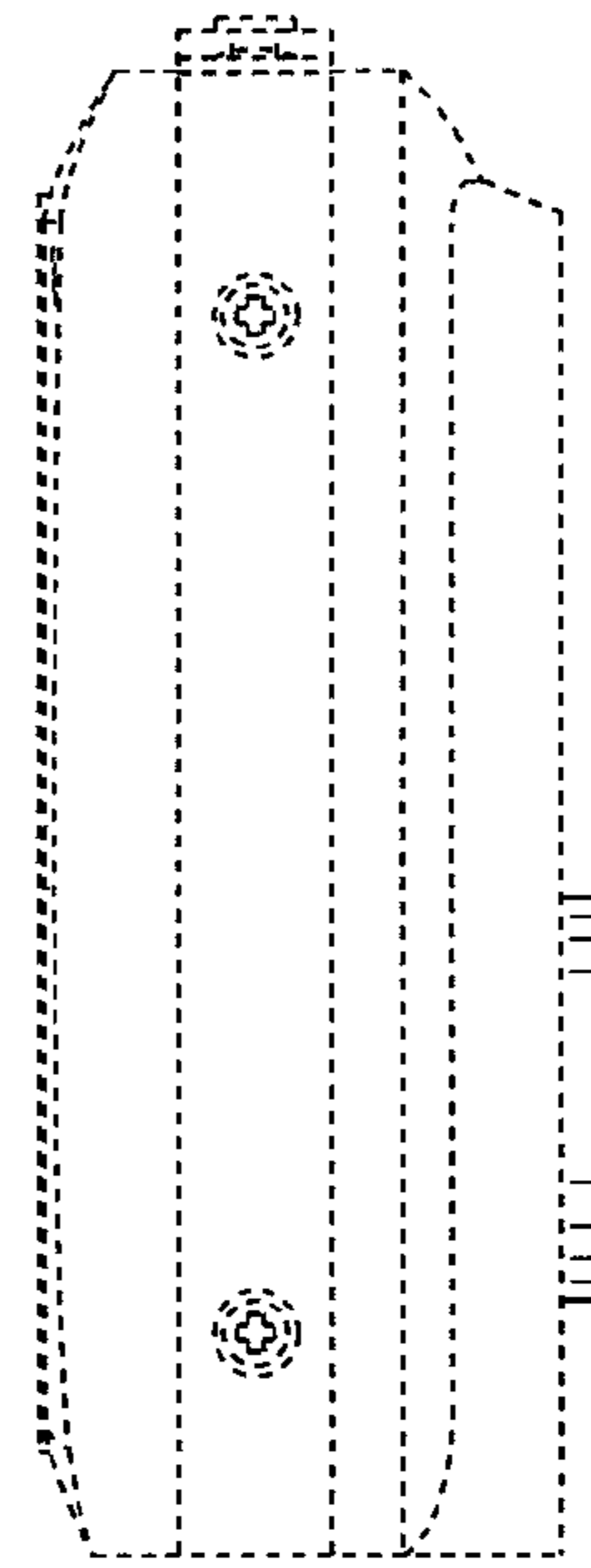


FIG. 6

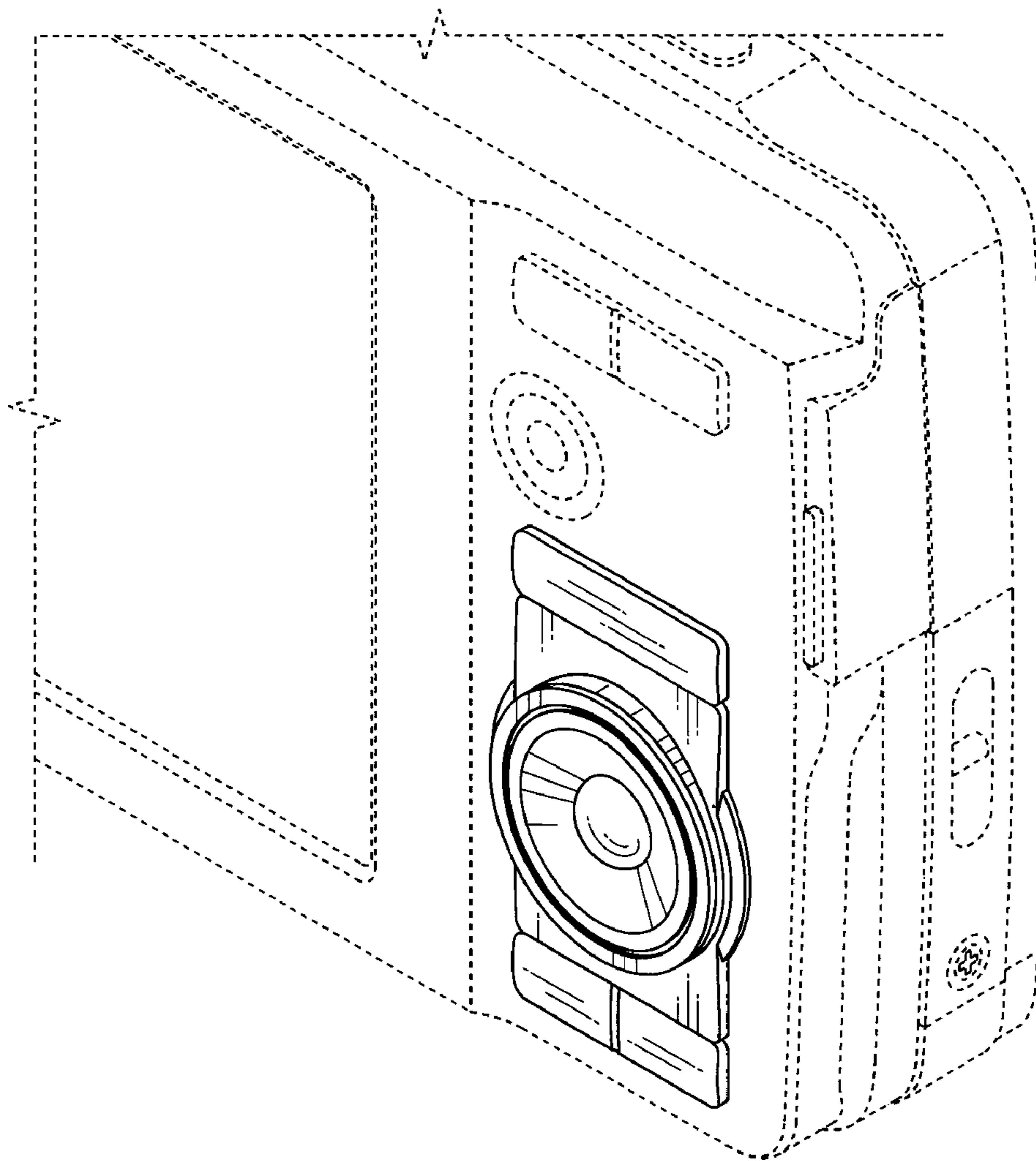


FIG.8