



US00D629437S

(12) **United States Design Patent**  
**Takagi**

(10) **Patent No.:** **US D629,437 S**

(45) **Date of Patent:** **\*\* Dec. 21, 2010**

(54) **CAMERA**

D596,217 S \* 7/2009 Kim et al. .... D16/219

(75) Inventor: **Noriaki Takagi**, Tokyo (JP)

FOREIGN PATENT DOCUMENTS

(73) Assignee: **Sony Corporation**, Tokyo (JP)

JP D1194317 S 1/2004  
JP D1232032 S 3/2005  
JP D1305554 S 7/2007  
JP D1320147 S 1/2008

(\*\*) Term: **14 Years**

(21) Appl. No.: **29/347,554**

OTHER PUBLICATIONS

(22) Filed: **Mar. 3, 2010**

Web page, "Samsung PL55", [http://www.samsungcameracorder.co.uk/series/17/point\\_and\\_shoot/camera/78/pl55.html](http://www.samsungcameracorder.co.uk/series/17/point_and_shoot/camera/78/pl55.html), 4 sheets, Samsung, 2010.

(30) **Foreign Application Priority Data**

Jan. 5, 2010 (CN) ..... 2010 3 0002001  
Jan. 5, 2010 (JP) ..... D2010-000114

\* cited by examiner

*Primary Examiner*—Adir Aronovich

(74) *Attorney, Agent, or Firm*—Rader, Fishman & Grauer PLLC

(51) **LOC (9) Cl.** ..... **16-05**

(52) **U.S. Cl.** ..... **D16/219**

(58) **Field of Classification Search** ..... D16/200–204,  
D16/208, 218, 219; 348/373–376; 358/909.1;  
396/535–541

See application file for complete search history.

(57) **CLAIM**

The ornamental design for a camera, as shown and described.

(56) **References Cited**

**DESCRIPTION**

U.S. PATENT DOCUMENTS

D508,711 S \* 8/2005 Suzuki ..... D16/218  
D519,539 S 4/2006 Takagi  
D521,038 S 5/2006 Takagi  
D521,043 S 5/2006 Takagi  
D555,694 S \* 11/2007 Yoo et al. .... D16/219  
D557,311 S \* 12/2007 Hanafusa et al. .... D16/219  
D557,313 S \* 12/2007 Hayamizu ..... D16/219  
D566,153 S 4/2008 Katsuraku  
D568,360 S \* 5/2008 Hayashi ..... D16/202  
D574,029 S 7/2008 Yamagishi  
D582,461 S \* 12/2008 Hayashi ..... D16/219  
D582,463 S 12/2008 Yamagishi

FIG. 1 is a perspective view of a camera showing my new design;

FIG. 2 is a front elevational view thereof;

FIG. 3 is a rear elevational view thereof;

FIG. 4 is a left side elevational view thereof;

FIG. 5 is a right side elevational view thereof;

FIG. 6 is a top plan view thereof; and,

FIG. 7 is a bottom plan view thereof.

Portions in broken lines are for illustrative purposes only and form no part of the claimed design. Dot-dash broken lines define boundaries of, but not included in, the claimed design.

**1 Claim, 6 Drawing Sheets**

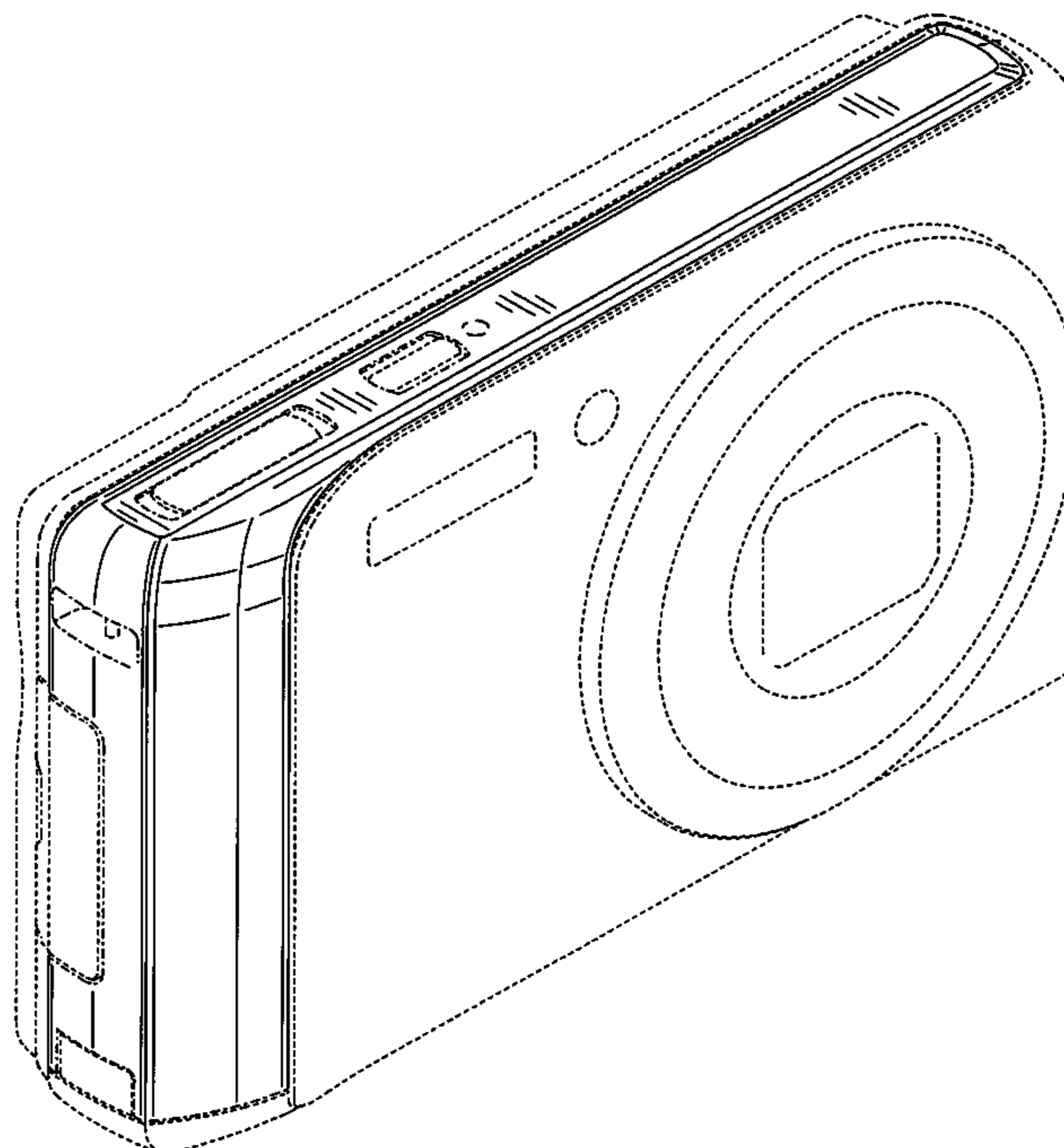


FIG.1

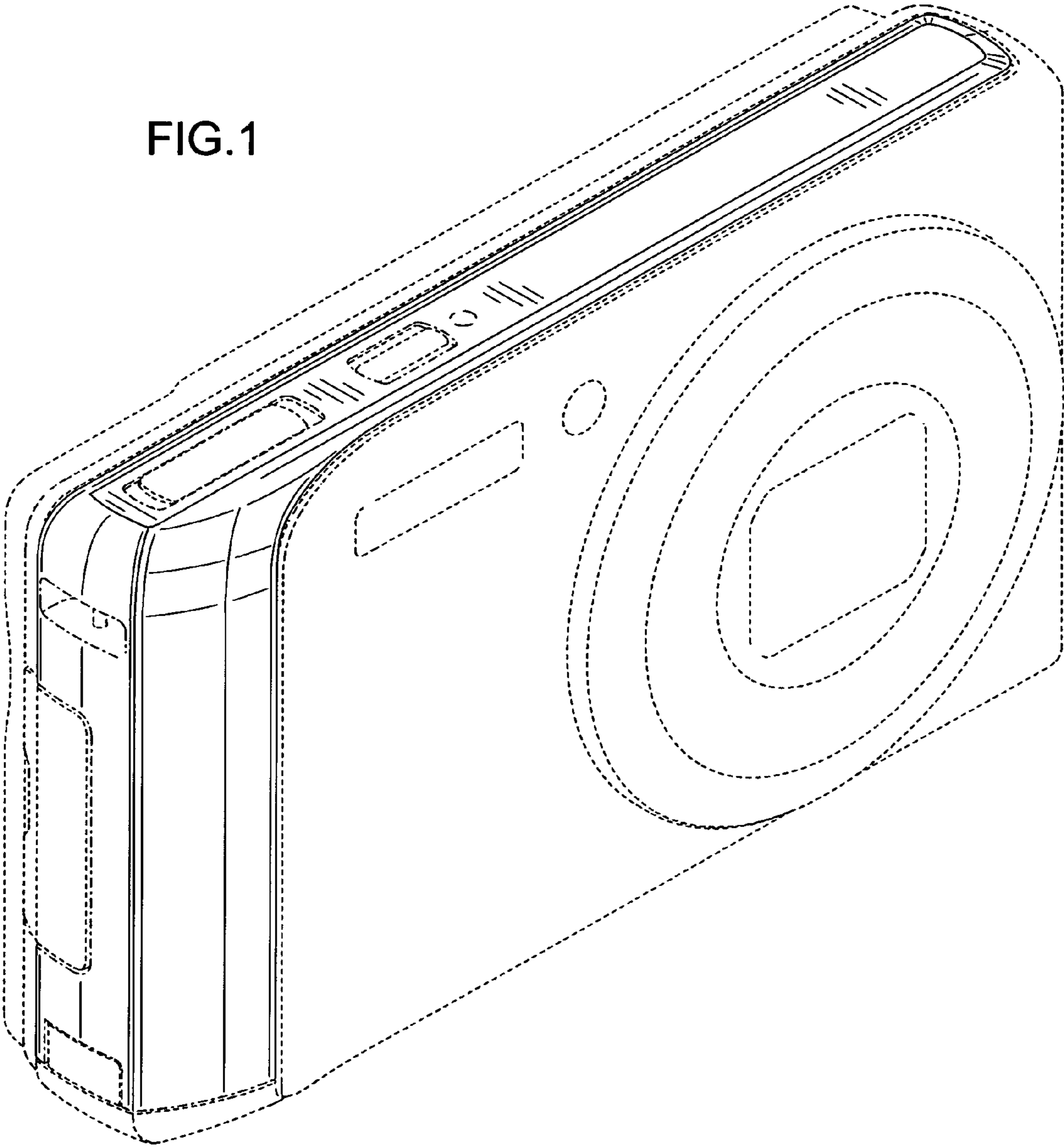


FIG.2

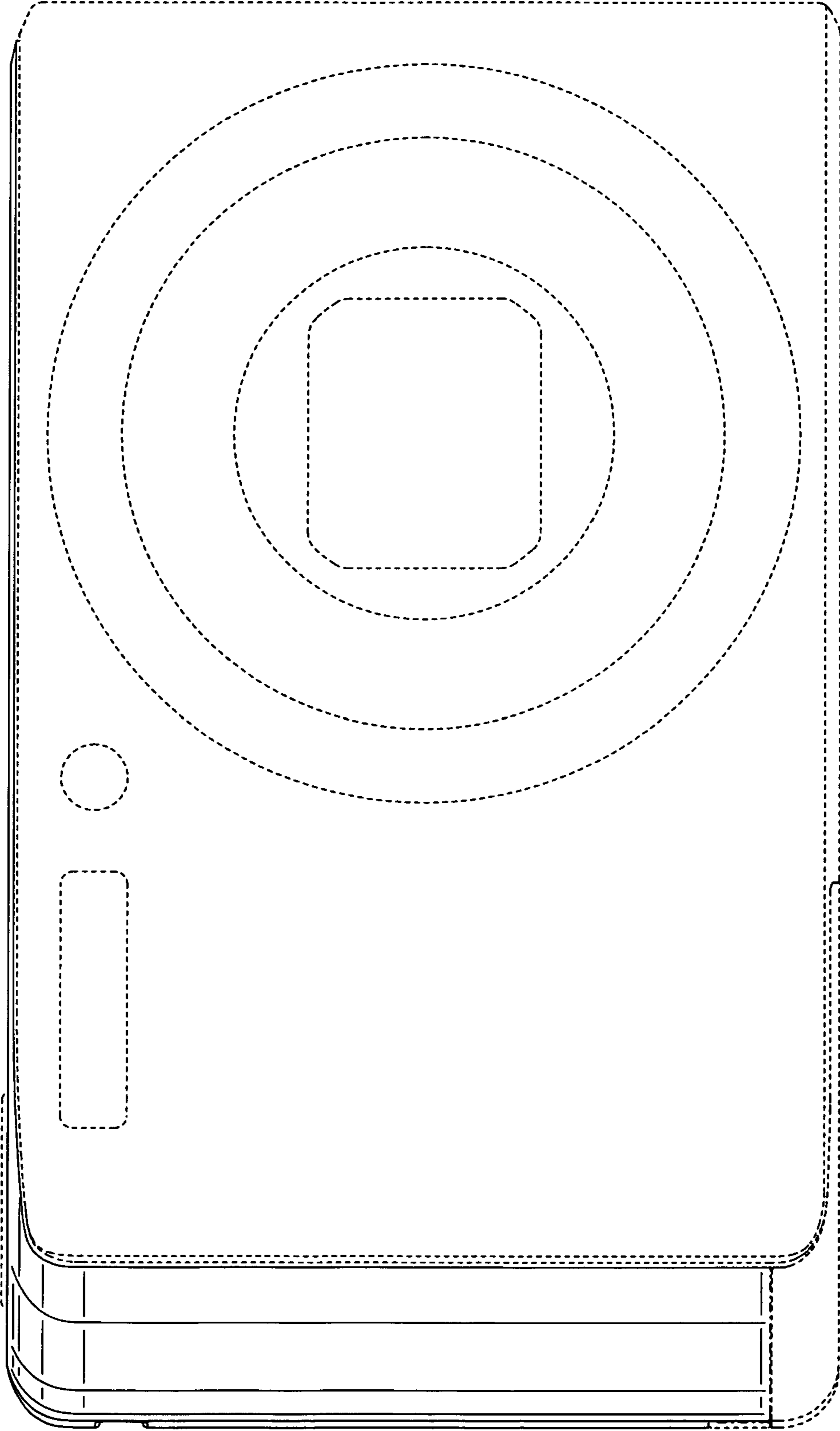


FIG.3

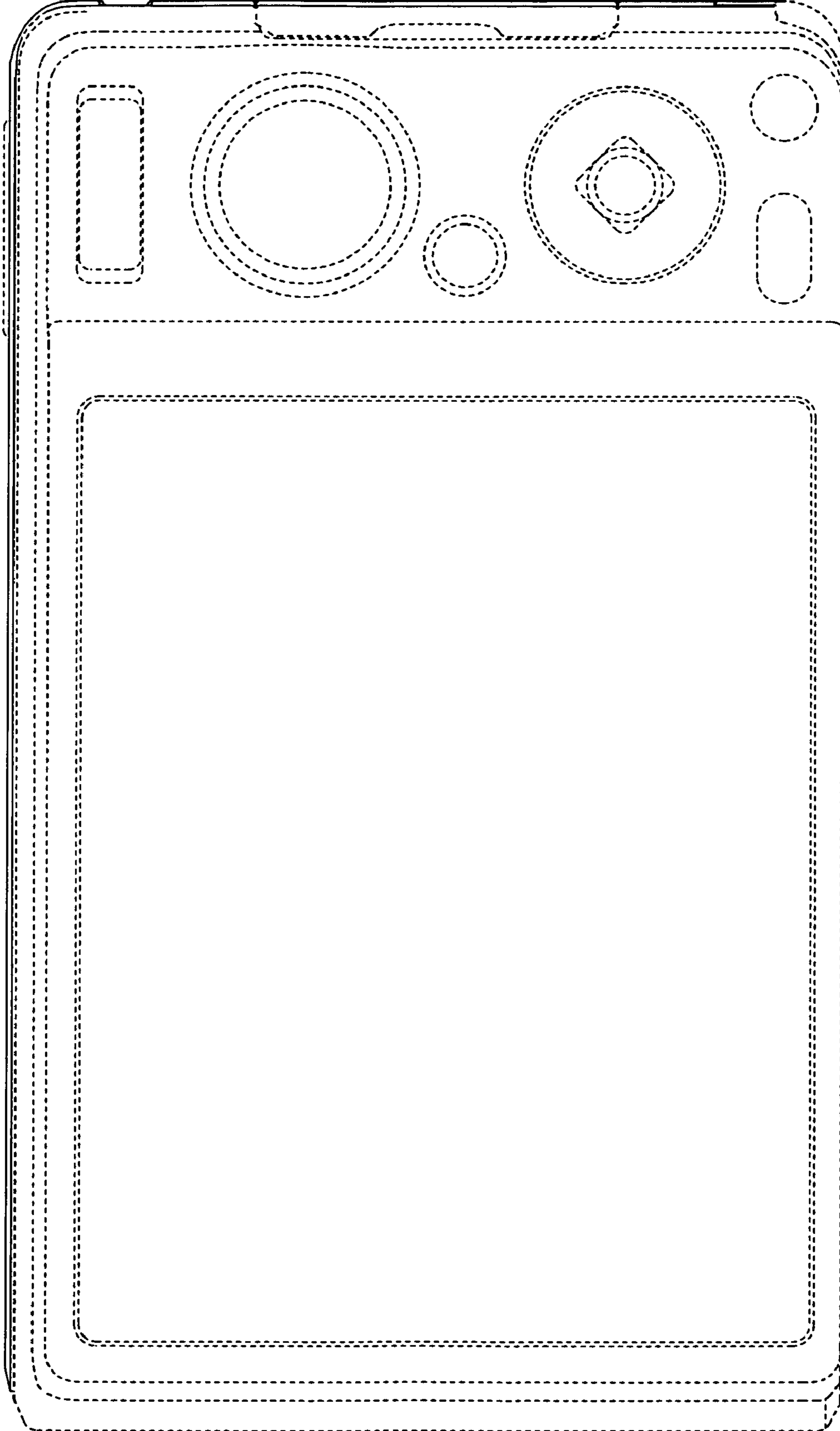


FIG.5

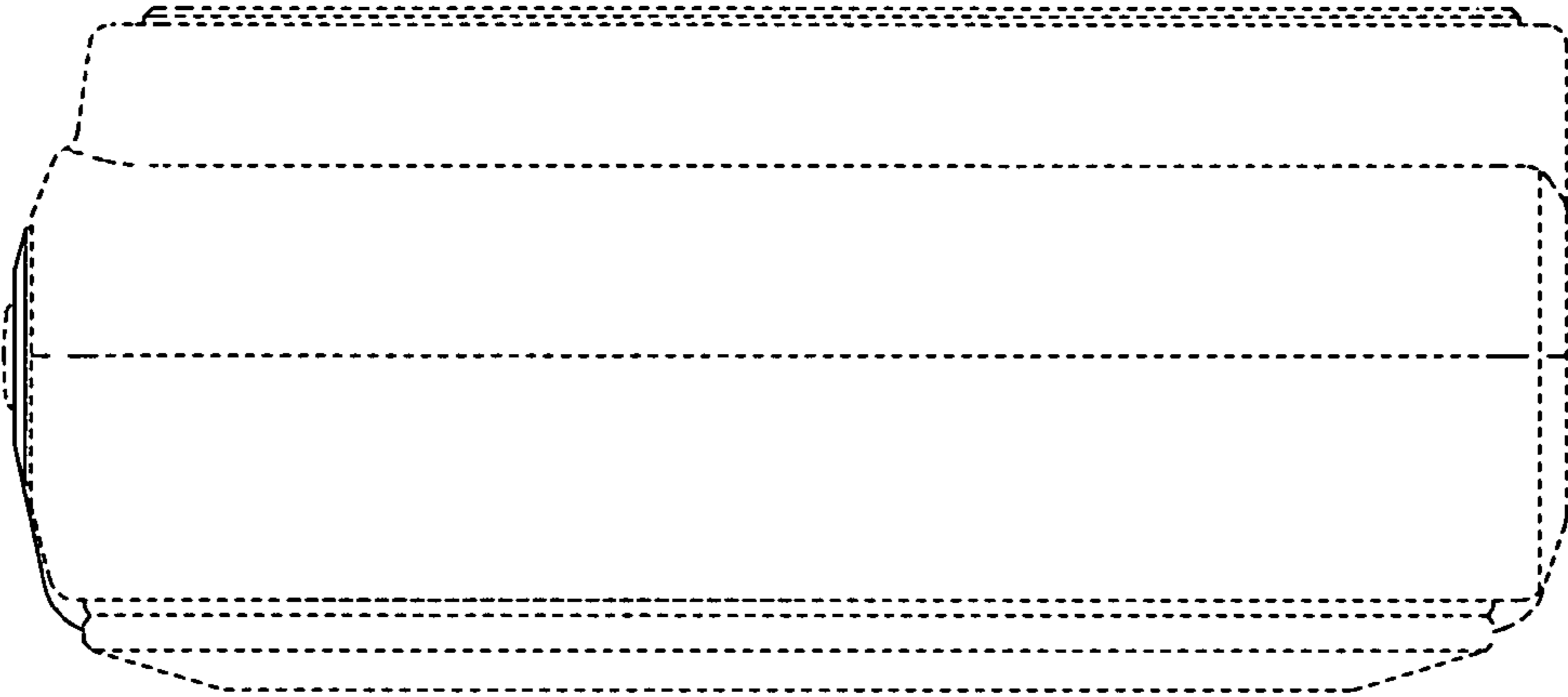


FIG.4

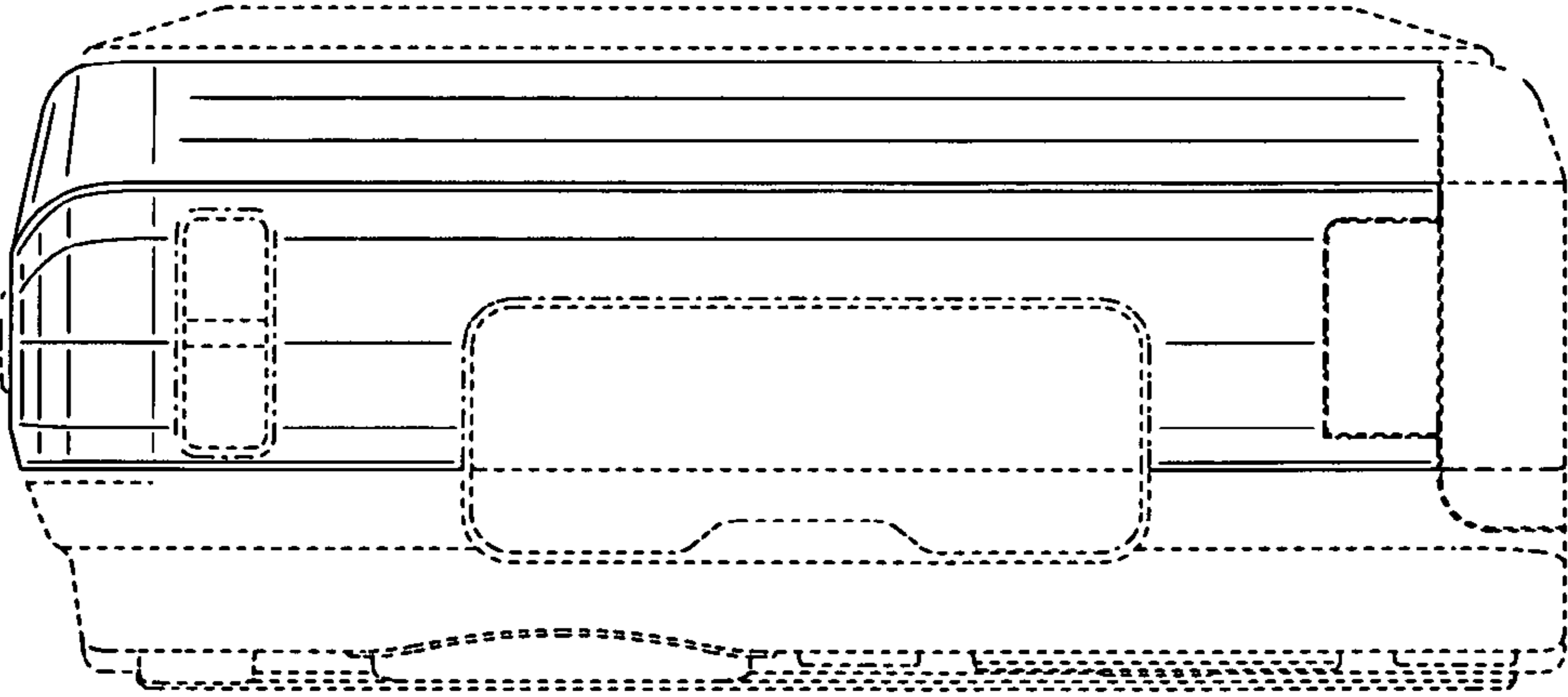


FIG.6

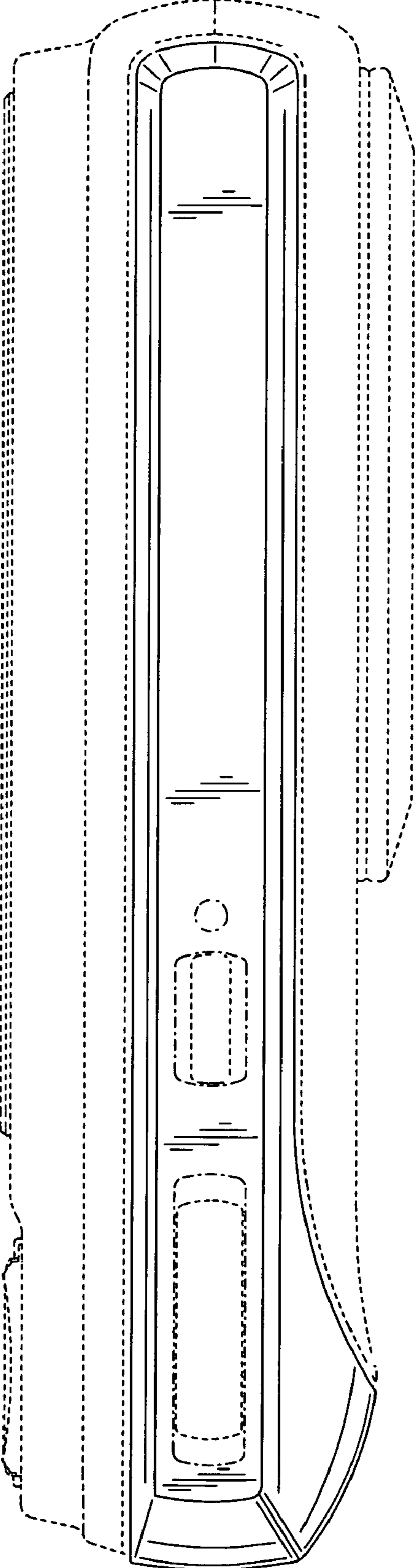


FIG.7

