



US00D629435S

(12) **United States Design Patent**
Barley et al.

(10) **Patent No.:** **US D629,435 S**

(45) **Date of Patent:** **** Dec. 21, 2010**

(54) **ACTION CAMERA**

(75) Inventors: **Christopher B. Barley**, Grand Prairie, TX (US); **James Brandon Roach**, Grand Prairie, TX (US)

(73) Assignee: **WGI Innovations, Ltd.**, Grand Prairie, TX (US)

(**) Term: **14 Years**

(21) Appl. No.: **29/362,965**

(22) Filed: **Jun. 2, 2010**

(51) **LOC (9) Cl.** **16-01**

(52) **U.S. Cl.** **D16/202; D16/203**

(58) **Field of Classification Search** D16/200–205, D16/208, 218, 219, 242; 348/373–376; 396/535–541
See application file for complete search history.

(56) **References Cited**

U.S. PATENT DOCUMENTS

D392,300	S	*	3/1998	Chow et al.	D16/203
D430,888	S	*	9/2000	Adachi et al.	D16/203
D557,302	S	*	12/2007	Kojima et al.	D16/202
D586,836	S	*	2/2009	Liow et al.	D16/218
7,632,027	B2	*	12/2009	Noguchi	396/529
D610,186	S	*	2/2010	Jannard et al.	D16/219
D618,266	S	*	6/2010	Imaeda	D16/218
D618,717	S	*	6/2010	Frank et al.	D16/203
D621,435	S	*	8/2010	Green et al.	D16/219
D624,577	S	*	9/2010	Kujawski et al.	D16/203
2008/0291319	A1	*	11/2008	Jannard et al.	348/345

OTHER PUBLICATIONS

Vholdr Contour HD Helmet Camera, <http://vholdr.com/contourhd/techspecs>, 3 web pages, <http://vholdr.com/contourhd/features>, 2 web pages, Mar. 19, 2010.

Oregon Scientific ATC2K, ATC3K and ATC5K Action Video Camera, 3 web pages.

GoPro True HD Hero Sports Cameras, gopro.com, 24 web pages.

V.I.O., Inc., POV.1 Hands Free Point-of-View Video, www.vio-pov.com/products/pov_1.php, 4 web pages, POV 1.5 Wearable Helmet Video Camera, www.vio-pov.com/products/pov_15.php, 5 web pages, Mar. 19, 2010.

Drift Innovation, X170 Action Camera information and instruction booklet, www.driftinnovation.com/products.html, 17 web pages, Mar. 19, 2010.

Sony HXR-MC1P HD Action Camera, actioncameras.co.uk/Sony_HXR_MC1...., 3 web pages Mar. 19, 2010.

* cited by examiner

Primary Examiner—Adir Aronovich

(74) *Attorney, Agent, or Firm*—Geoffrey A. Mantooth

(57) **CLAIM**

The ornamental design for an action camera, as shown and described.

DESCRIPTION

FIG. 1 is an isometric front, top and right side view of an action camera, showing our new design;

FIG. 2 is a front elevational view thereof;

FIG. 3 is a rear elevational view thereof;

FIG. 4 is a top plan view thereof;

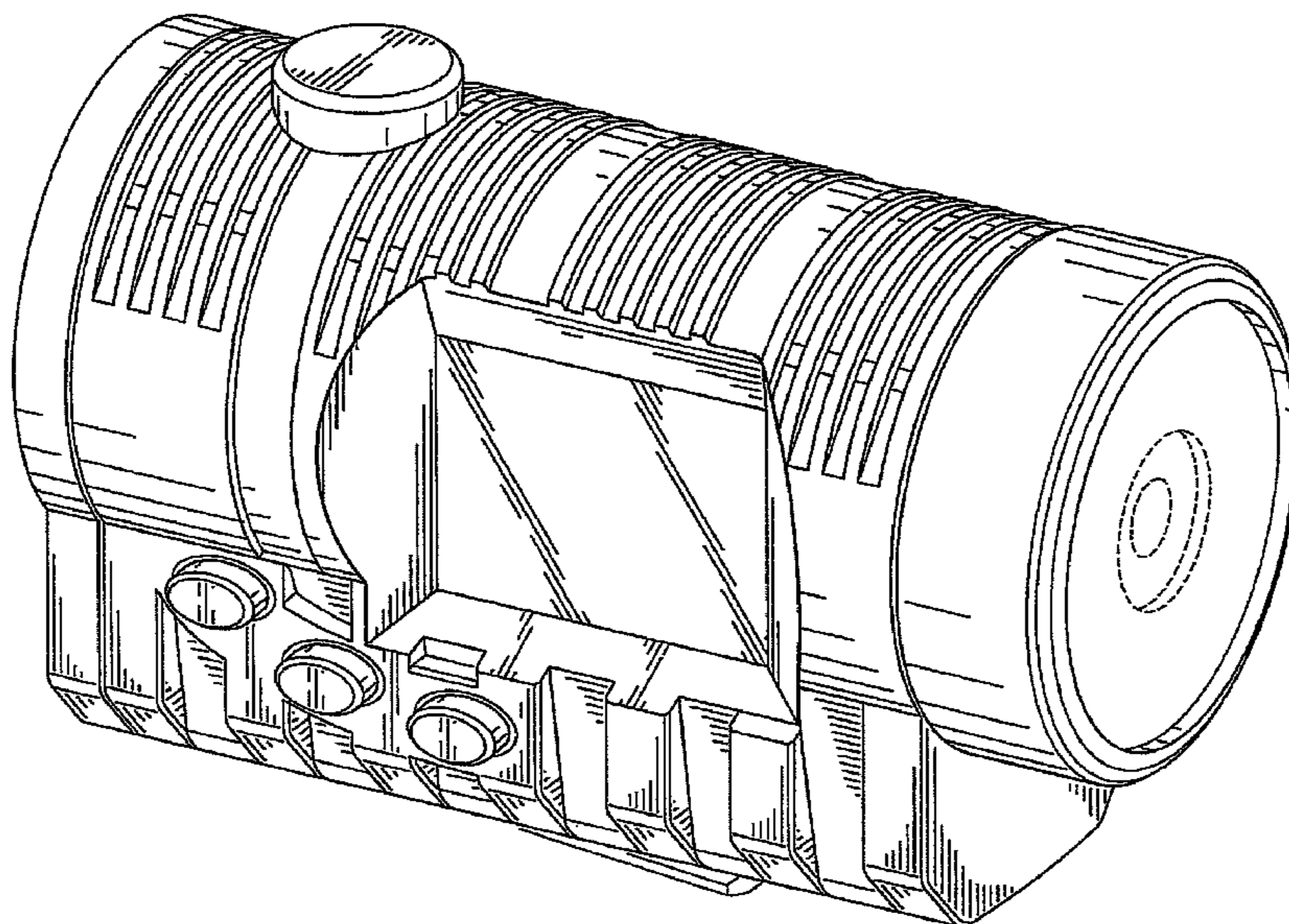
FIG. 5 is a bottom plan view thereof;

FIG. 6 is a right side elevational view thereof; and,

FIG. 7 is a left side elevational view thereof.

The portions of the camera in broken lines are shown for illustrative purposes only and form no part of the claimed design.

1 Claim, 6 Drawing Sheets



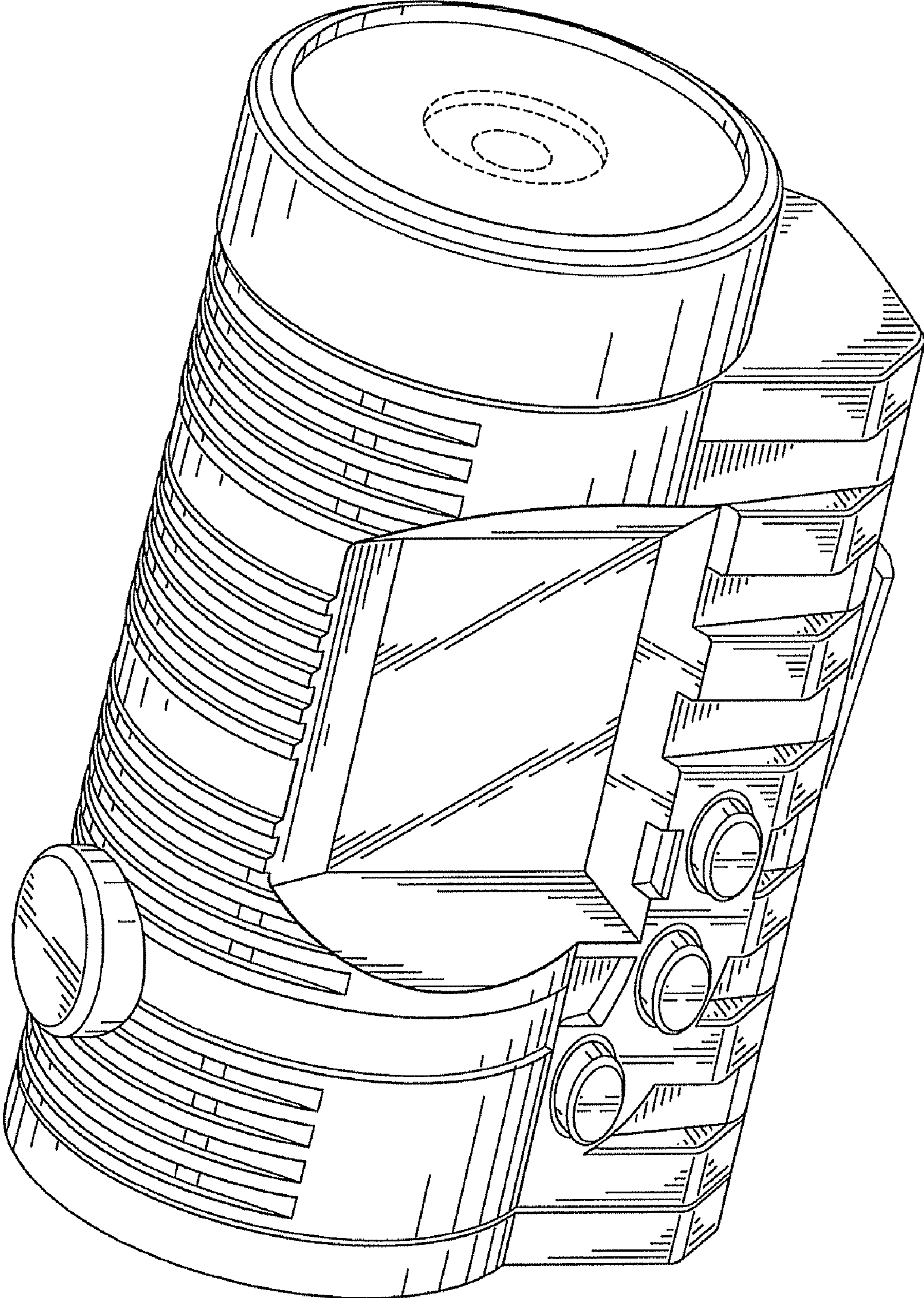


FIG. 1

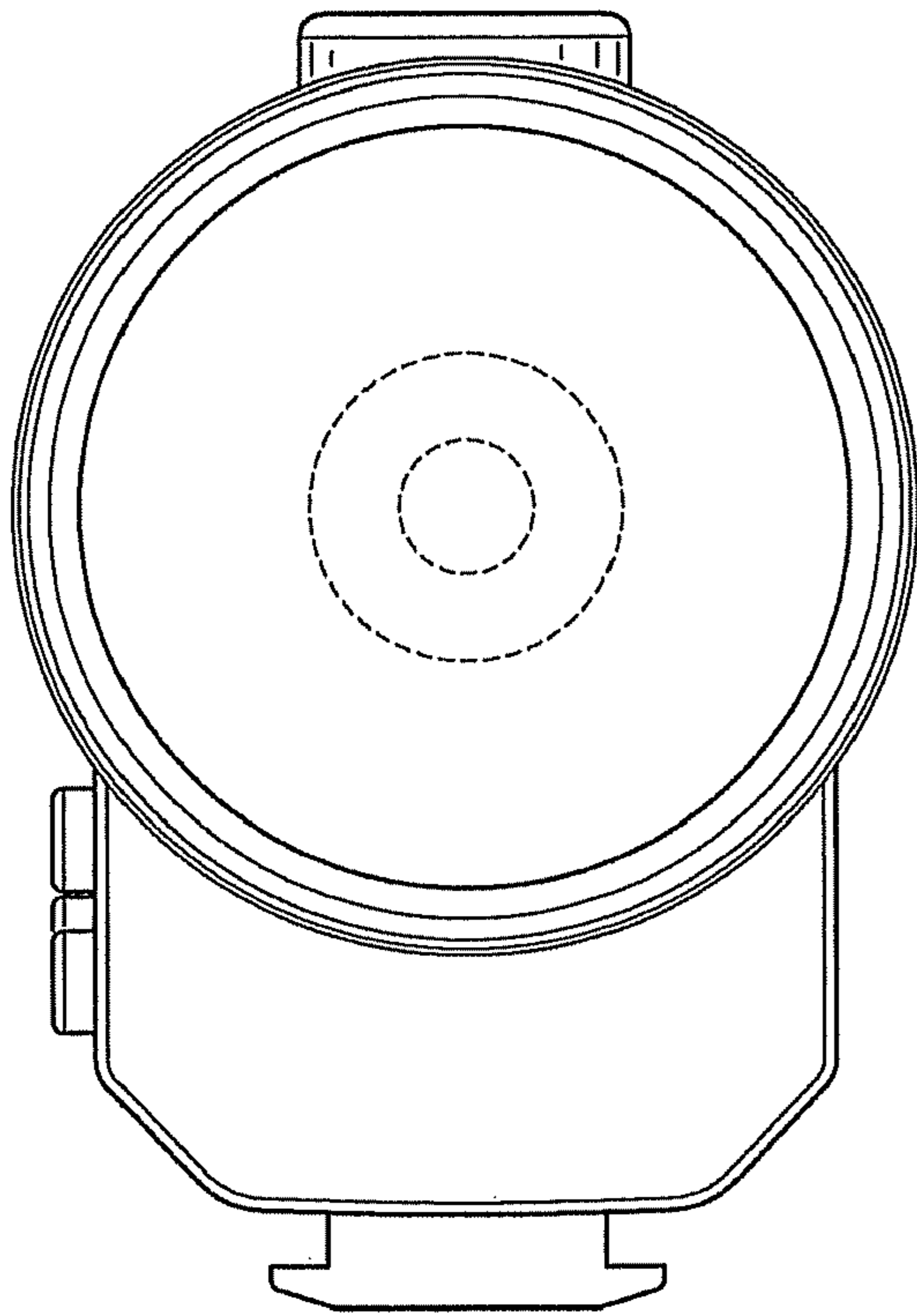


FIG. 2

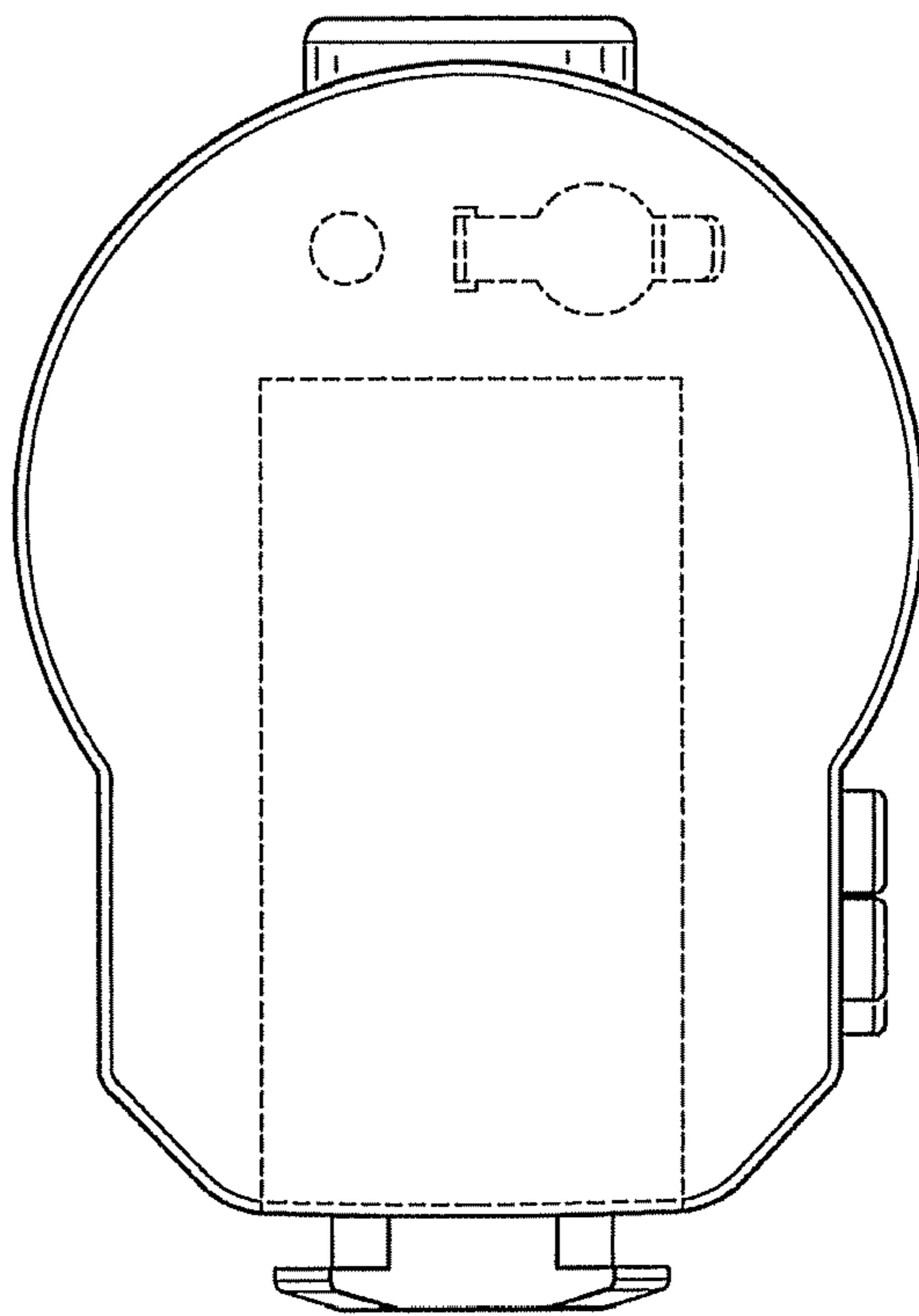


FIG. 3

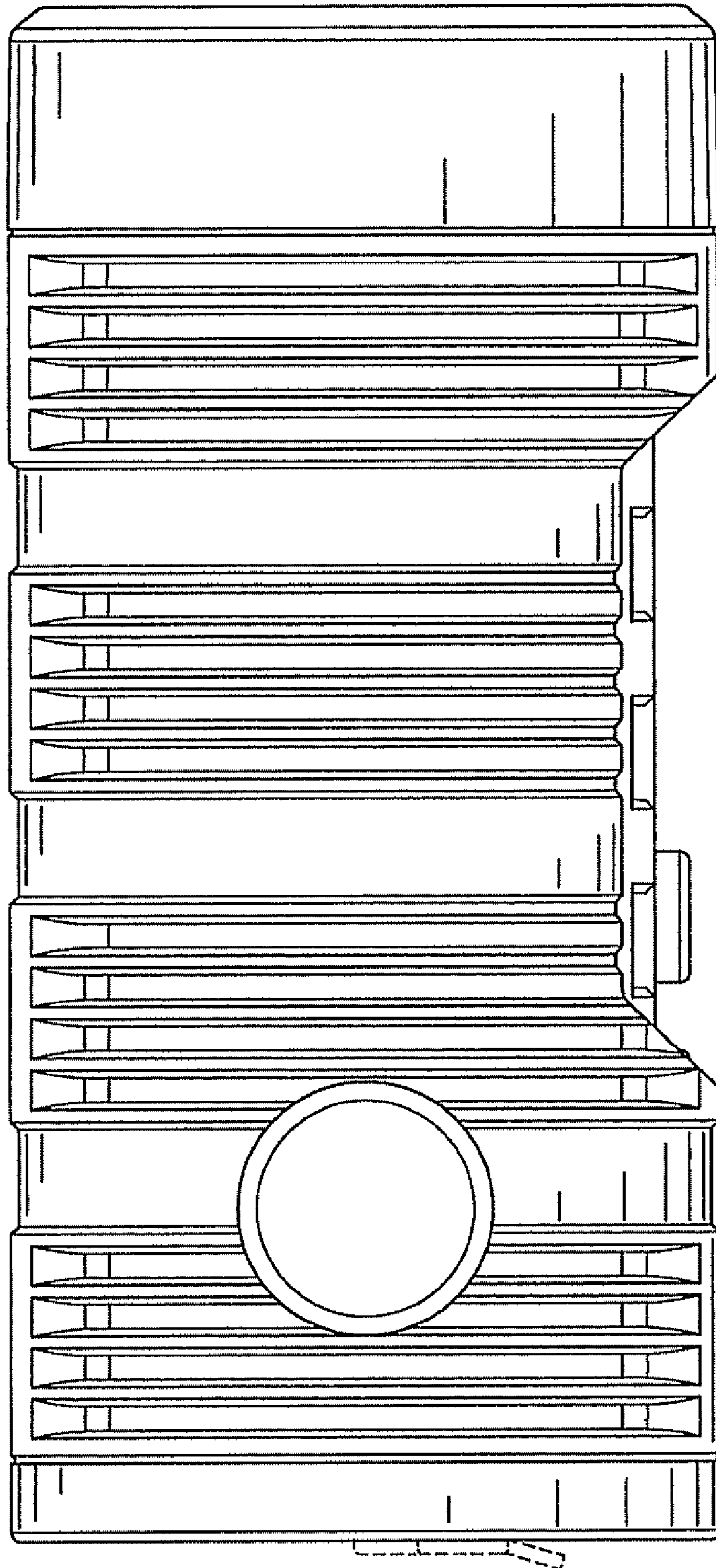


FIG. 4

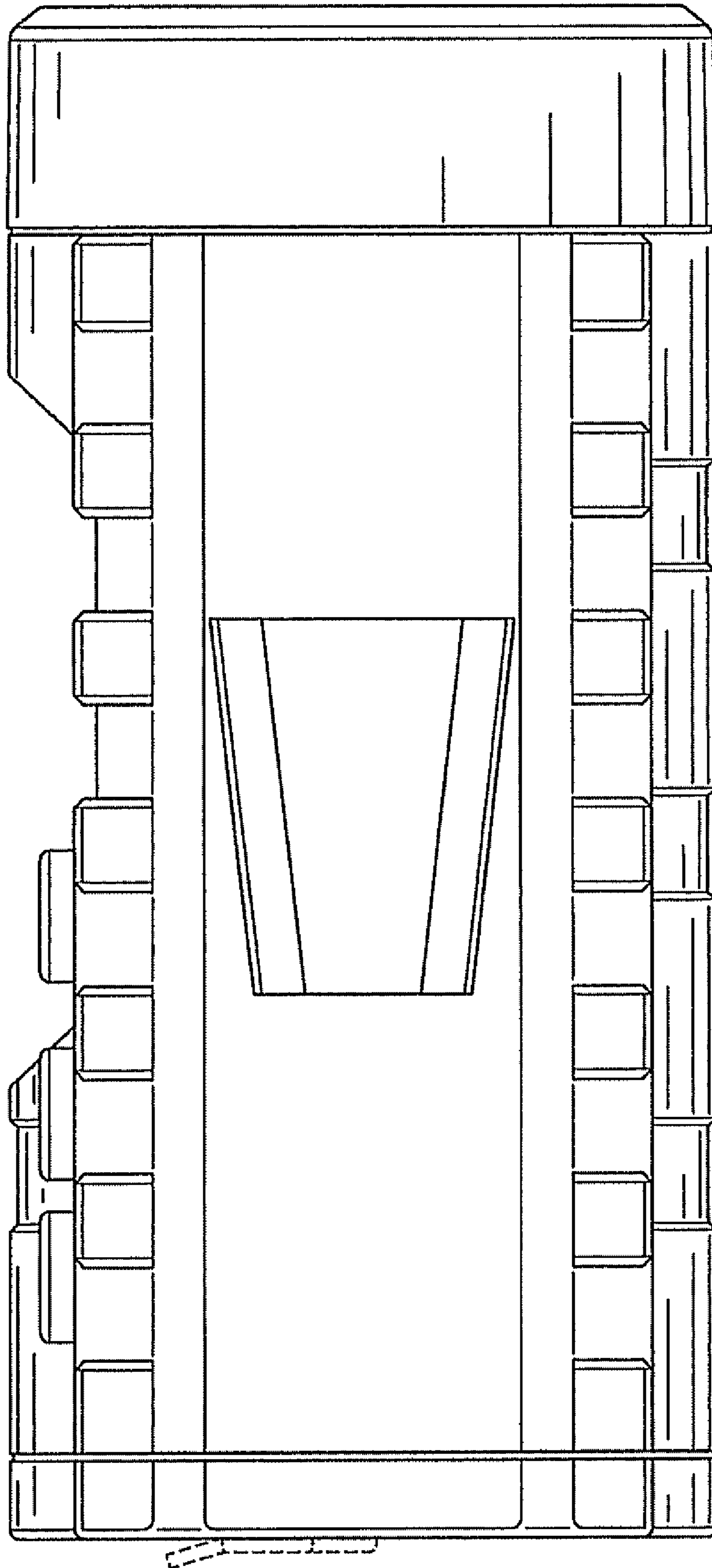


FIG. 5

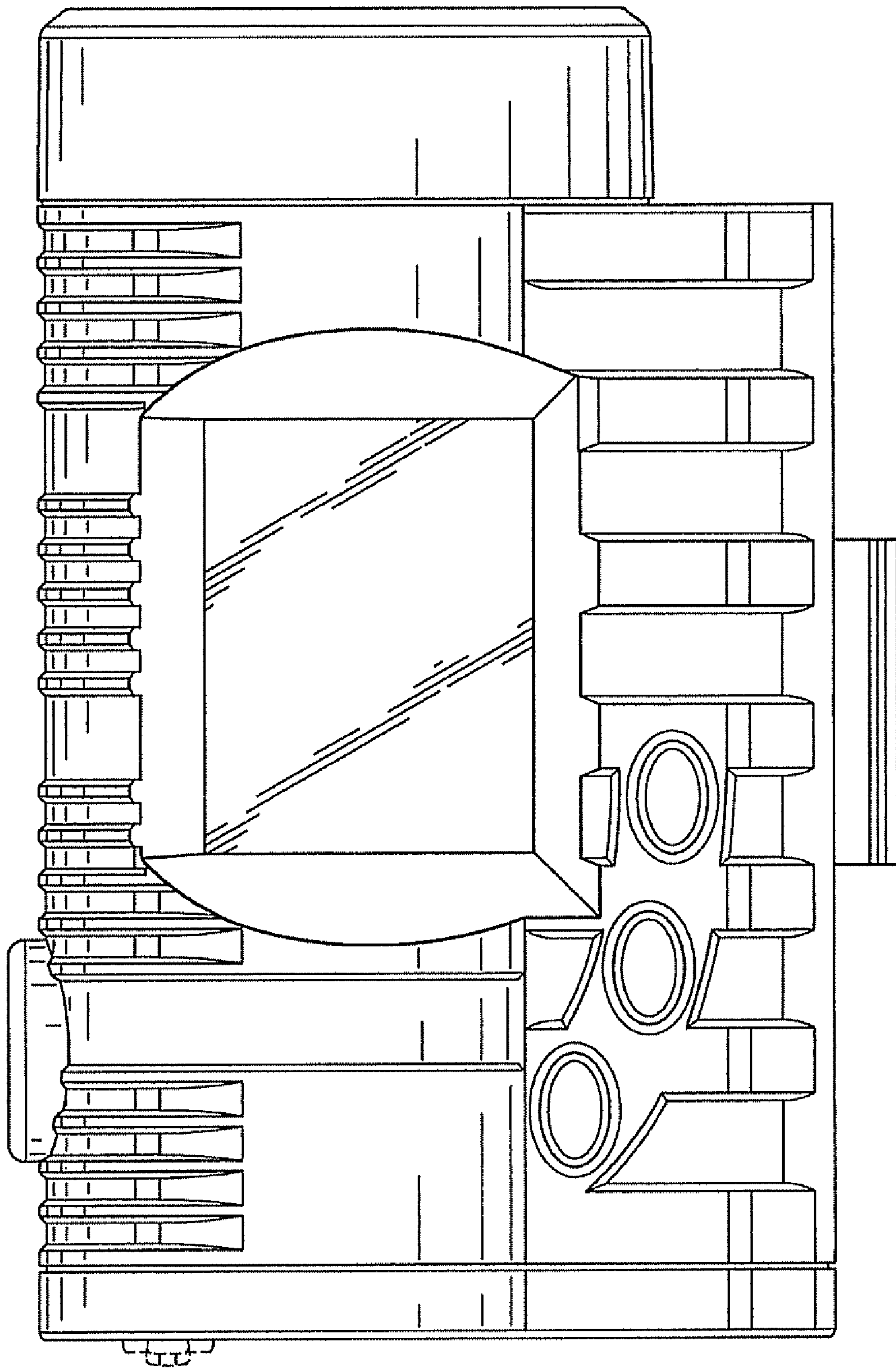


FIG. 6

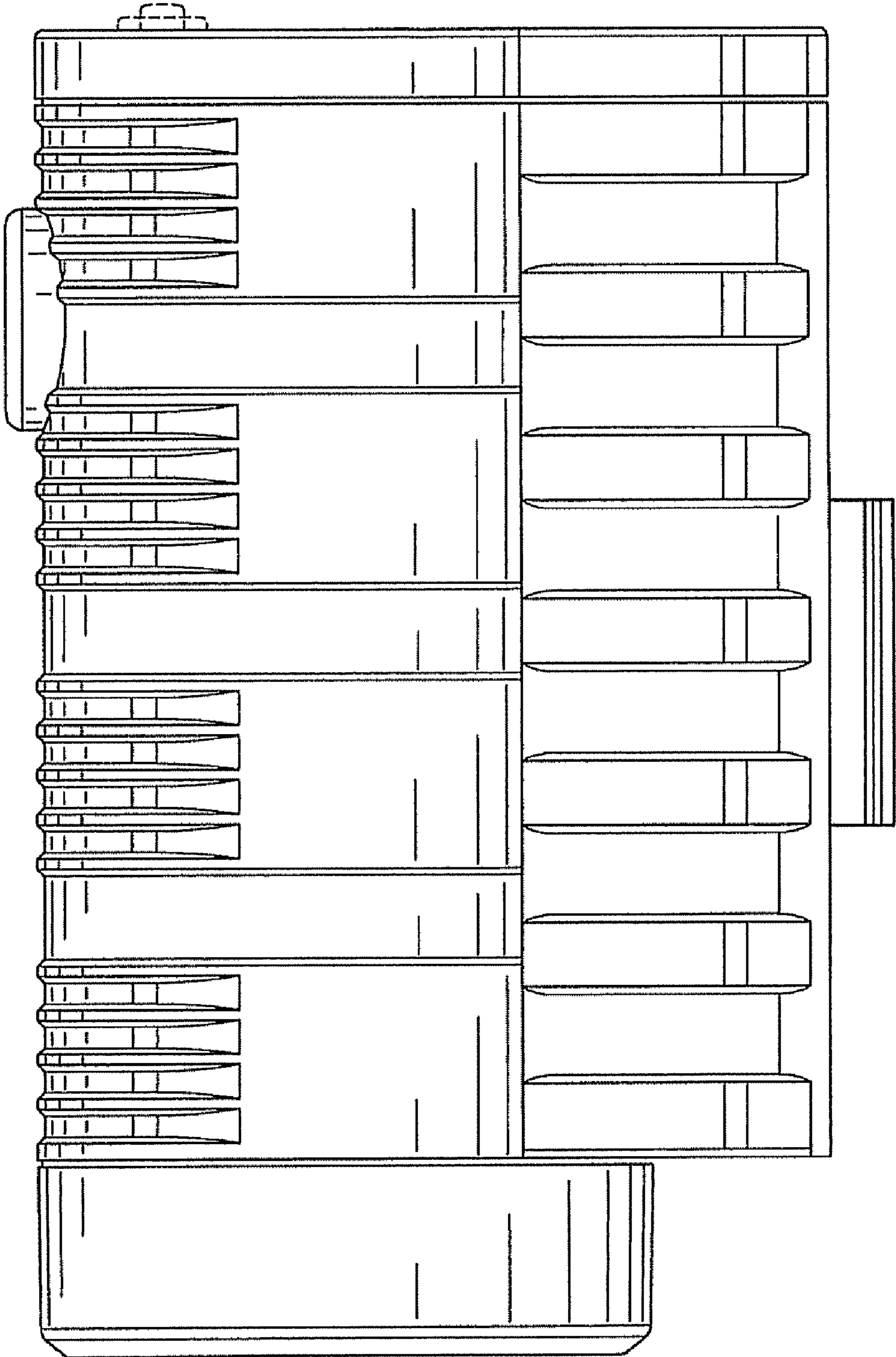


FIG. 7