



US00D629430S

(12) **United States Design Patent**
Harada

(10) **Patent No.:** **US D629,430 S**

(45) **Date of Patent:** **** Dec. 21, 2010**

(54) **SILENCER FOR AIR PRESSURE DEVICES**

(75) Inventor: **Takayuki Harada**, Tsukubamirai (JP)

(73) Assignee: **SMC Corporation**, Chiyoda-ku, Tokyo (JP)

(**) Term: **14 Years**

(21) Appl. No.: **29/351,544**

(22) Filed: **Dec. 8, 2009**

(30) **Foreign Application Priority Data**

Jul. 6, 2009 (JP) 2009-015312

(51) **LOC (9) Cl.** **15-09**

(52) **U.S. Cl.** **D15/138**

(58) **Field of Classification Search** D8/70;
D15/138, 139, 140; D22/108, 199; 55/276,
55/315, 320; 60/39.33; 89/14.4; 180/21;
181/226, 227, 230, 242, 243, 246, 249, 251,
181/255, 256, 258, 265, 282; 422/180

See application file for complete search history.

(56) **References Cited**

U.S. PATENT DOCUMENTS

1,195,717	A *	8/1916	Pejauo et al.	408/222
1,822,468	A *	9/1931	Wales	83/140
4,045,157	A *	8/1977	Peterson	431/114
4,116,602	A *	9/1978	Hall	425/354
4,221,147	A *	9/1980	Sumida	83/574
4,302,996	A *	12/1981	Wilhelm	83/212
4,489,492	A *	12/1984	Diggins	30/241
4,700,601	A *	10/1987	Simon	83/687
4,763,552	A *	8/1988	Wagner	83/689
5,603,153	A *	2/1997	Zmyslowski	29/509
5,686,999	A *	11/1997	Mizuno et al.	358/296
5,693,905	A *	12/1997	Blodgett et al.	86/32
5,750,900	A *	5/1998	Hugentobler et al.	73/779
6,260,463	B1 *	7/2001	Brand et al.	86/37
6,276,246	B1 *	8/2001	Bezama et al.	83/24
6,464,269	B1 *	10/2002	Wilhelm et al.	292/307 R

6,565,496	B1 *	5/2003	LaPlante et al.	483/1
7,100,737	B2 *	9/2006	Sishtla	181/252
7,101,128	B2 *	9/2006	Hansson	409/234
2004/0159979	A1 *	8/2004	Tanaka	264/328.1
2004/0261918	A1 *	12/2004	Ando et al.	148/649
2005/0019137	A1 *	1/2005	Iwatsuki et al.	411/501
2005/0076558	A1 *	4/2005	Jeffers	43/44.87
2006/0211041	A1 *	9/2006	Endo et al.	435/7.1
2006/0216347	A1 *	9/2006	Stroppolo et al.	424/464
2007/0209215	A1 *	9/2007	Retterer et al.	30/241
2007/0227286	A1 *	10/2007	Kandasamy	74/469
2008/0048489	A1 *	2/2008	Liu	301/61
2008/0314526	A1 *	12/2008	Hui	156/510

* cited by examiner

Primary Examiner—Patricia Palasik

(74) *Attorney, Agent, or Firm*—Yokoi & Co., U.S.A., Inc.;
Toshiyuki Yokoi

(57) **CLAIM**

The ornamental design for a silencer for air pressure devices,
as shown and described.

DESCRIPTION

FIG. 1 shows a front view of a silencer for air pressure devices
showing my new design;

FIG. 2 shows a rear view thereof;

FIG. 3 shows a right side view thereof;

FIG. 4 shows a left side view thereof;

FIG. 5 shows a top view thereof;

FIG. 6 shows a bottom view thereof;

FIG. 7 shows a top, front and left side perspective view
thereof; and,

FIG. 8 shows a cross-sectional view thereof, taken along line
8—8 in FIG. 7.

The portions of the design shown in broken lines in FIG. 8 are
for the purpose of illustrating the environment only and form
no part of the claimed design.

1 Claim, 4 Drawing Sheets

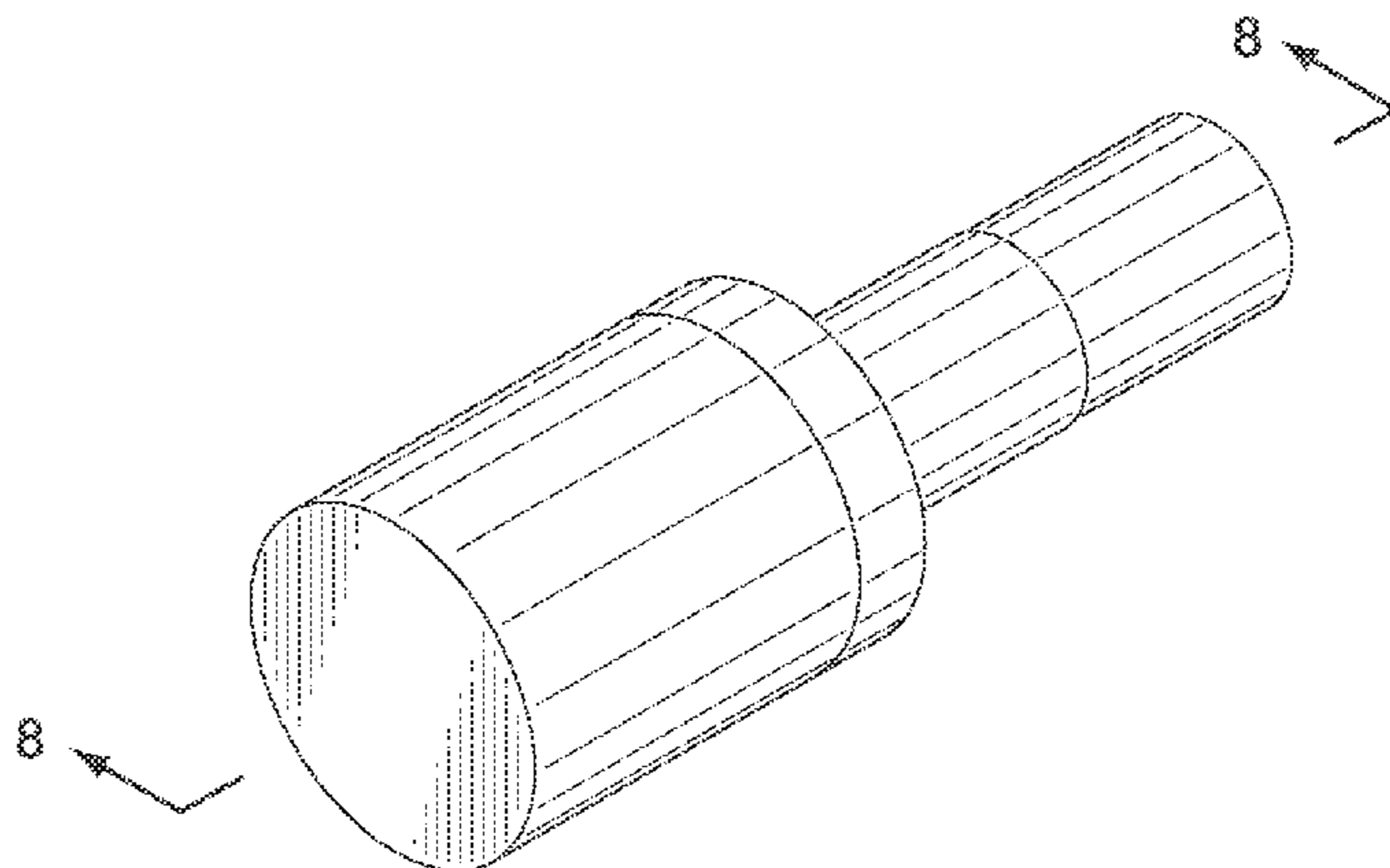


FIG. 1

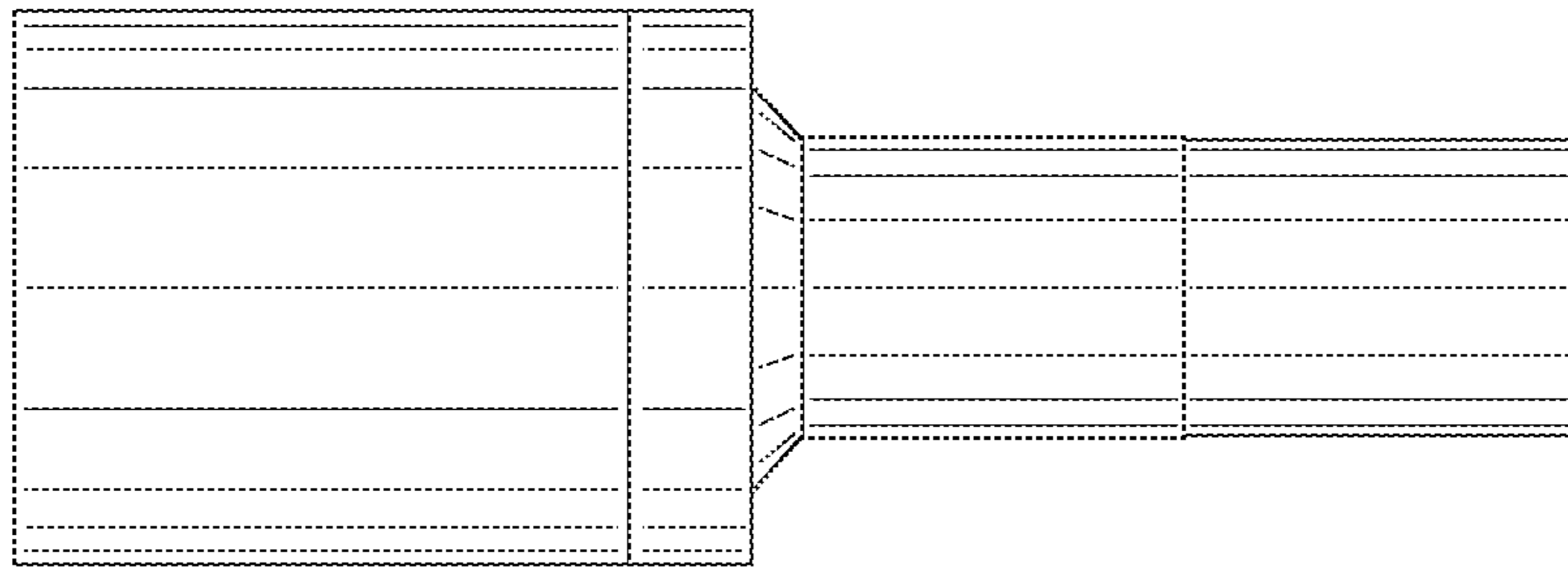


FIG. 2

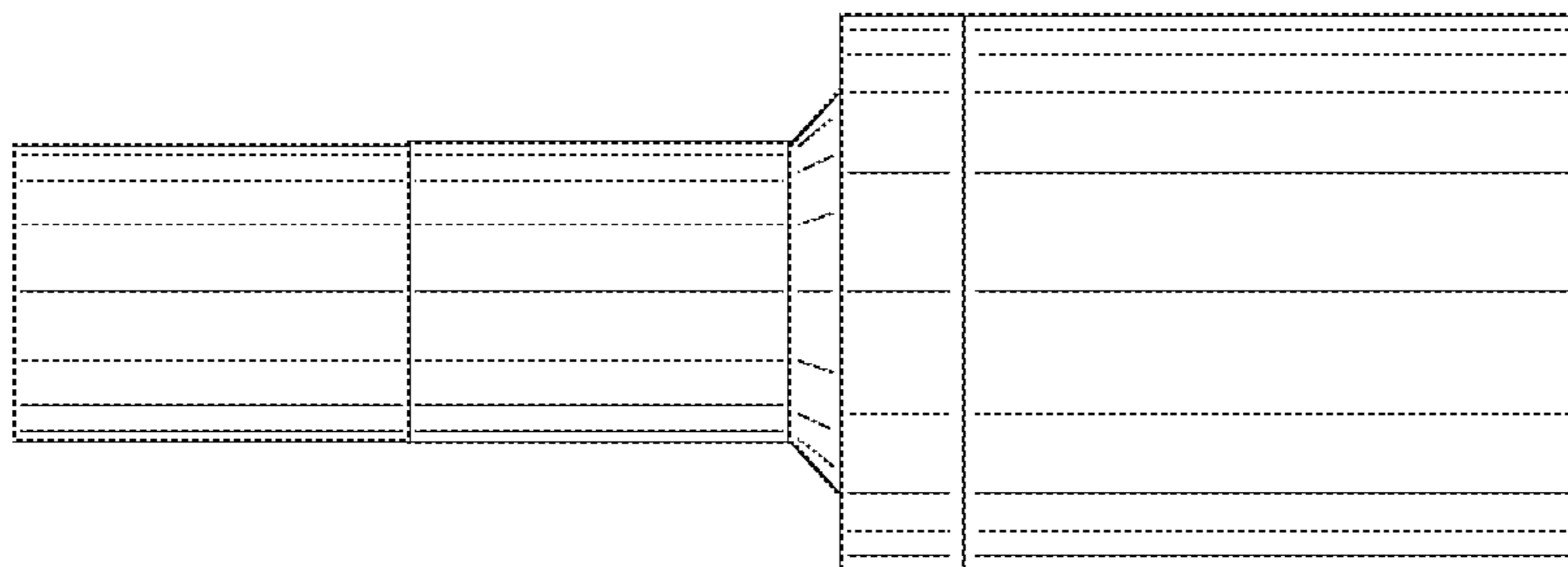


FIG. 3

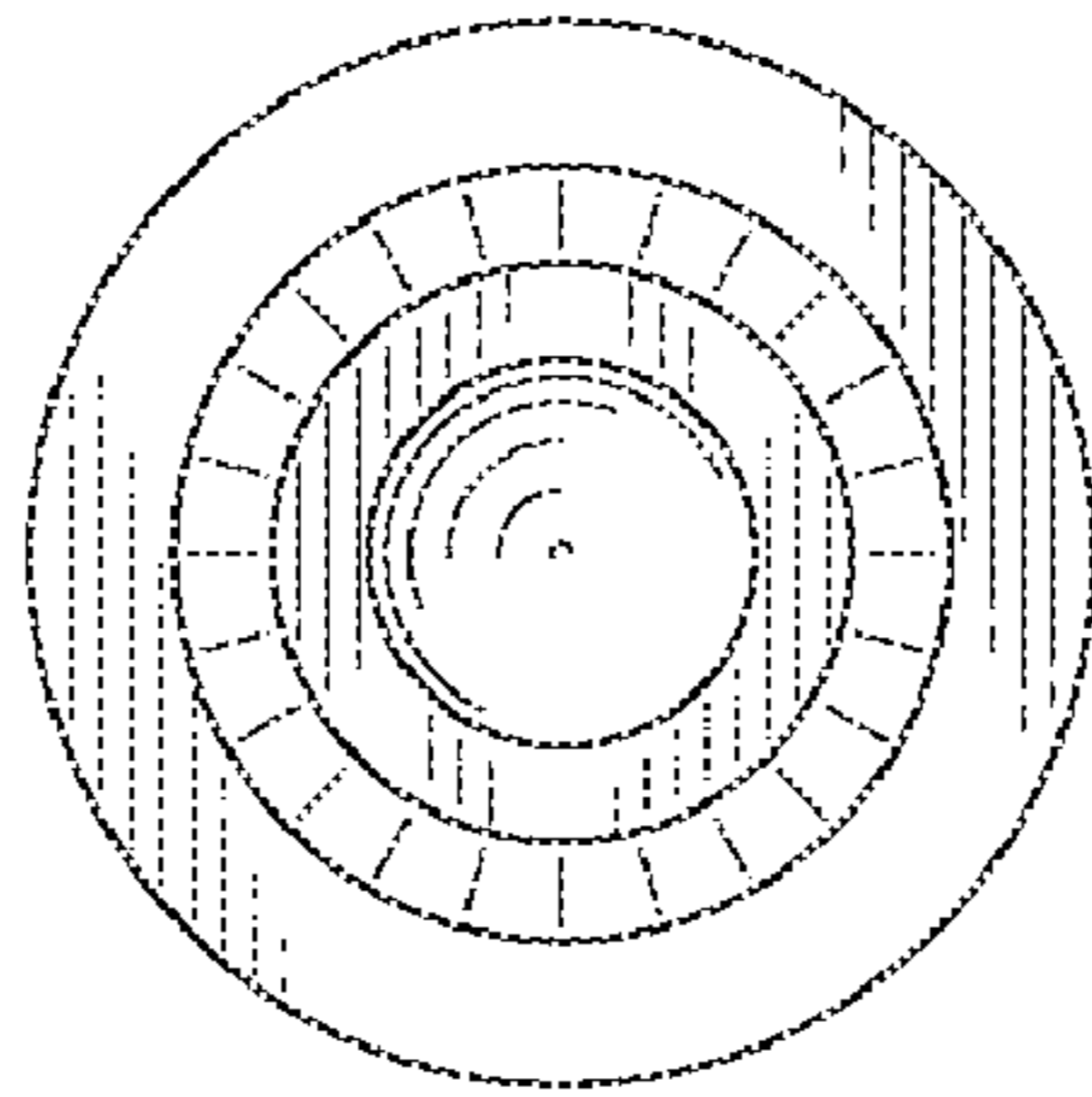


FIG. 4

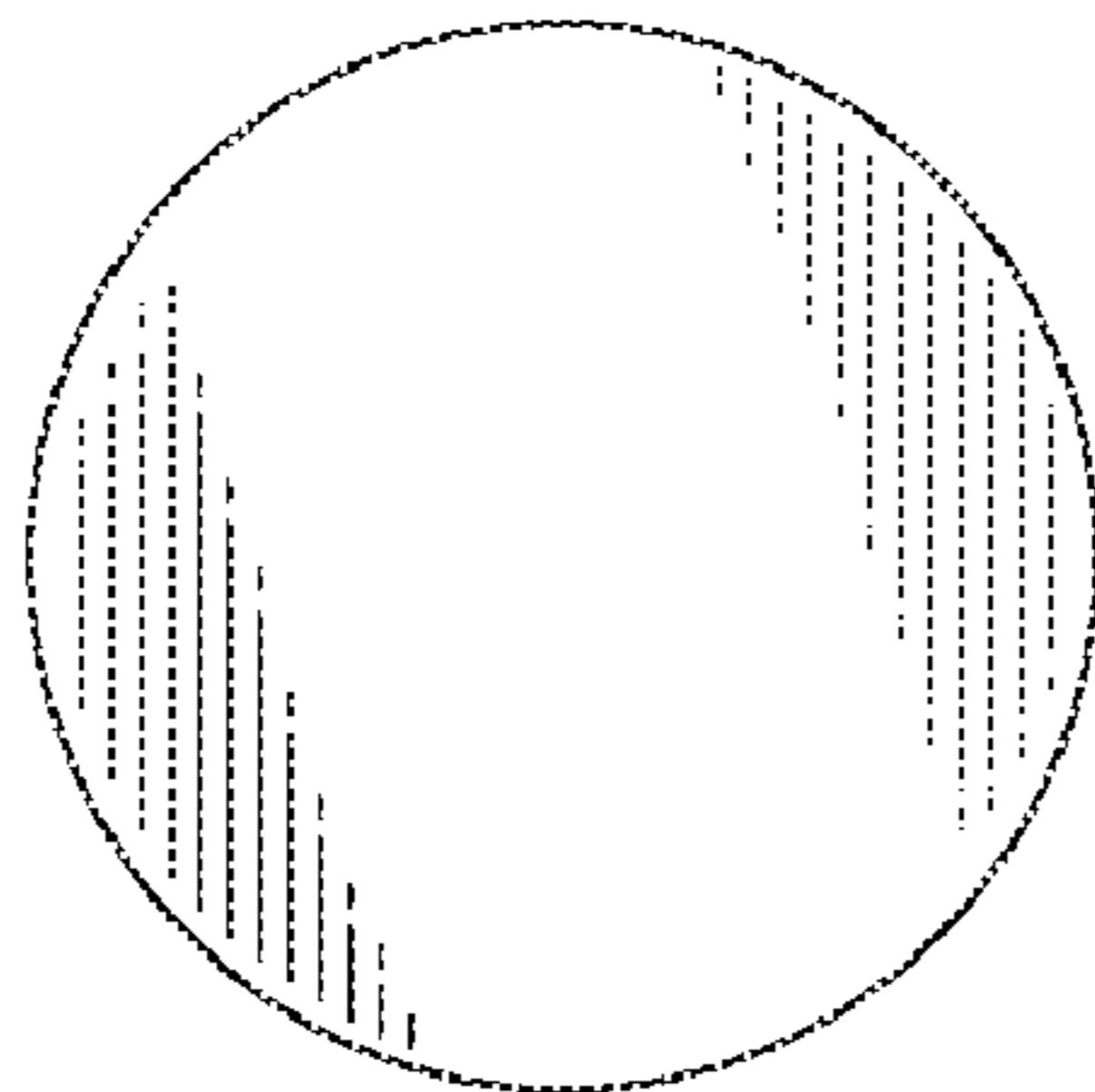


FIG. 5

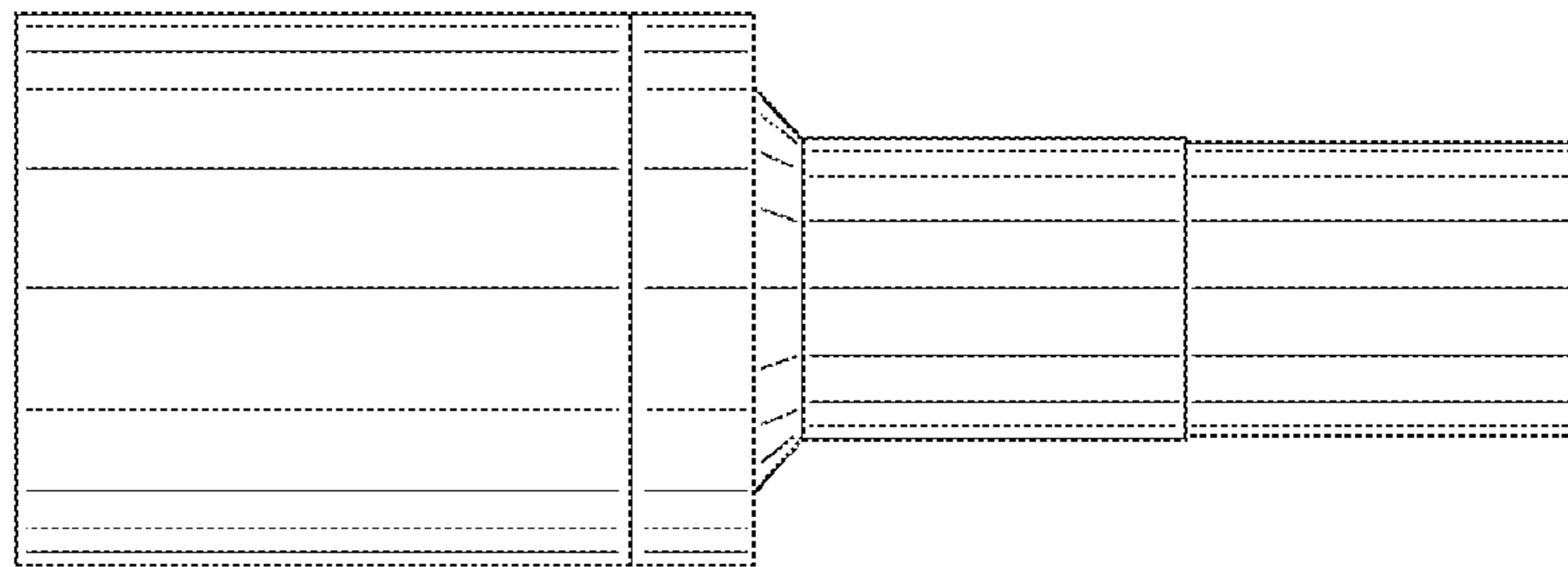


FIG. 6

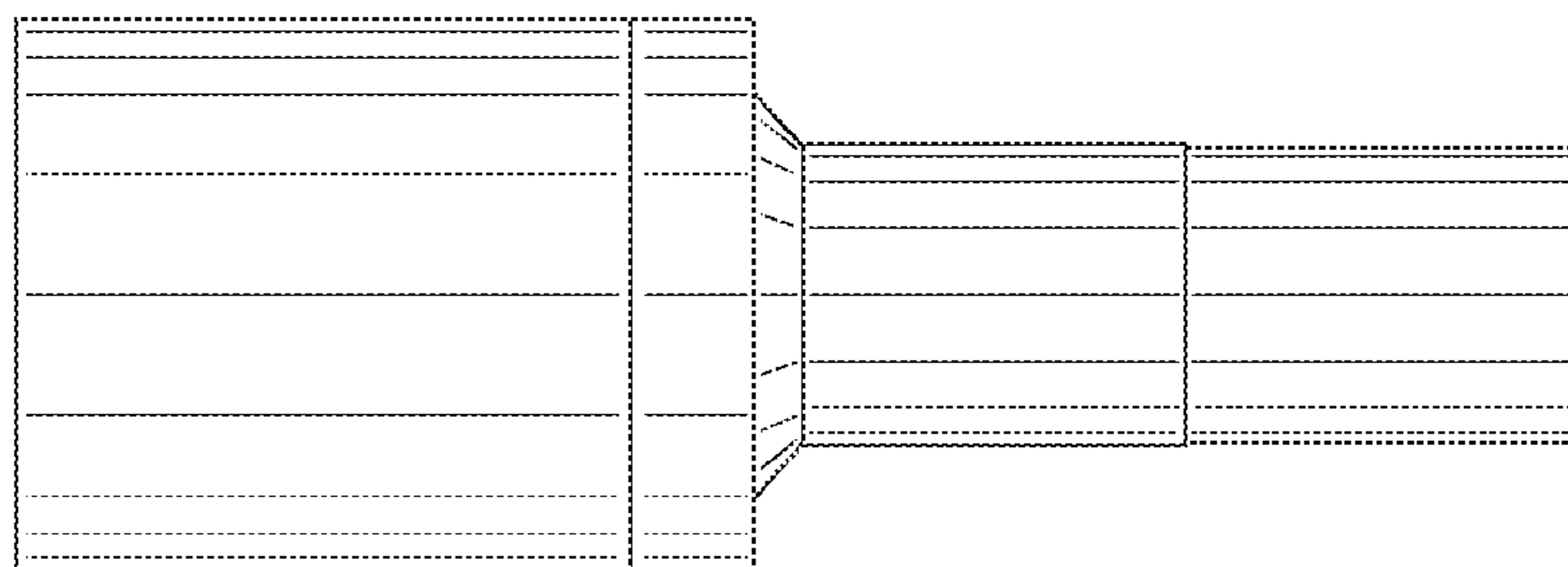


FIG. 7

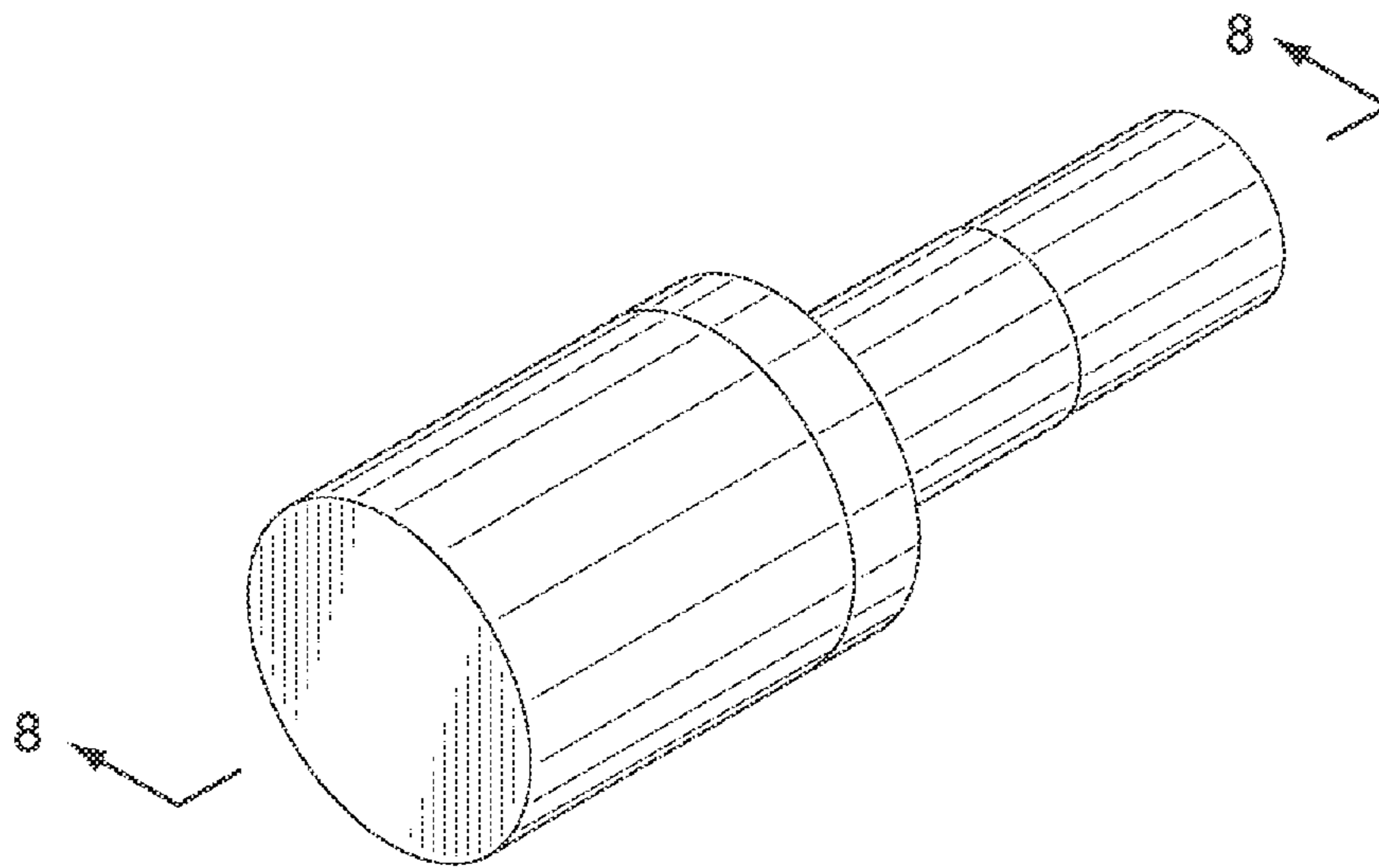


FIG. 8

