



US00D629429S

(12) **United States Design Patent**
Wakamatsu

(10) **Patent No.:** **US D629,429 S**

(45) **Date of Patent:** **** Dec. 21, 2010**

(54) **CABIN FOR CONSTRUCTION MACHINE**

(75) Inventor: **Kunio Wakamatsu**, Yokohama (JP)

(73) Assignee: **Kobelco Cranes Co., Ltd.**, Tokyo (JP)

(**) Term: **14 Years**

(21) Appl. No.: **29/360,937**

(22) Filed: **May 3, 2010**

(30) **Foreign Application Priority Data**

Nov. 2, 2009 (JP) 2009-025652

(51) **LOC (9) Cl.** **15-03**

(52) **U.S. Cl.** **D15/30**

(58) **Field of Classification Search** D15/10,
D15/22-26, 28, 30, 31; 180/89.11, 89.12,
180/89.13, 89.19, 900; 299/190.01, 190.08,
299/210, 190, 202

See application file for complete search history.

(56) **References Cited**

U.S. PATENT DOCUMENTS

D225,321 S * 12/1972 Johnson et al. D15/30
D237,373 S * 10/1975 Decatur et al. D12/96
D287,499 S * 12/1986 Takamatsu et al. D15/30
D292,632 S * 11/1987 Lich D34/37
5,096,253 A * 3/1992 Jo et al. 296/190.1
D343,004 S * 1/1994 Nelson D25/33
D348,270 S * 6/1994 Lehmann-Brendel et al. D15/30
D366,267 S * 1/1996 Lepoix D15/30
D389,984 S * 1/1998 Johansson D34/37
D455,763 S * 4/2002 Brandenburg et al. D15/30
D463,461 S * 9/2002 Yanagida et al. D15/30
D463,462 S * 9/2002 Yanagida et al. D15/30
D471,213 S * 3/2003 Kwak et al. D15/30
D523,029 S * 6/2006 Crawford et al. D15/30

D541,826 S * 5/2007 Brush et al. D15/30
D548,753 S * 8/2007 Kim D15/30
D549,245 S * 8/2007 Antonetti et al. D15/30
D549,742 S * 8/2007 Koss et al. D15/30
D594,036 S * 6/2009 Iwakata et al. D15/30
D594,480 S * 6/2009 Gicquel et al. D15/30
D605,207 S * 12/2009 Menges et al. D15/30

OTHER PUBLICATIONS

Catalogue for "Mattertech 7055/7070" Kobelco Crane, CO., Ltd., Sep. 2006.

Catalogue for "TK550" Kobelco Crane CO., Ltd., Oct. 2008.

Catalogue for "Mattertech 7080" Kobelco Construction Machinery CO., Ltd., Jul. 1997.

Catalogue for "Bio-Matic 7045" Kobelco Construction Machinery CO., Ltd., Aug. 1993.

* cited by examiner

Primary Examiner—Mark A Goodwin

(74) *Attorney, Agent, or Firm*—Oblon, Spivak, McClelland, Maier & Neustadt, L.L.P.

(57) **CLAIM**

The ornamental design for a cabin for a construction machine, as shown and described.

DESCRIPTION

FIG. 1 is a front, top, and right side perspective view of a cabin for a construction machine;

FIG. 2 is front elevational view thereof;

FIG. 3 is a rear elevational view thereof;

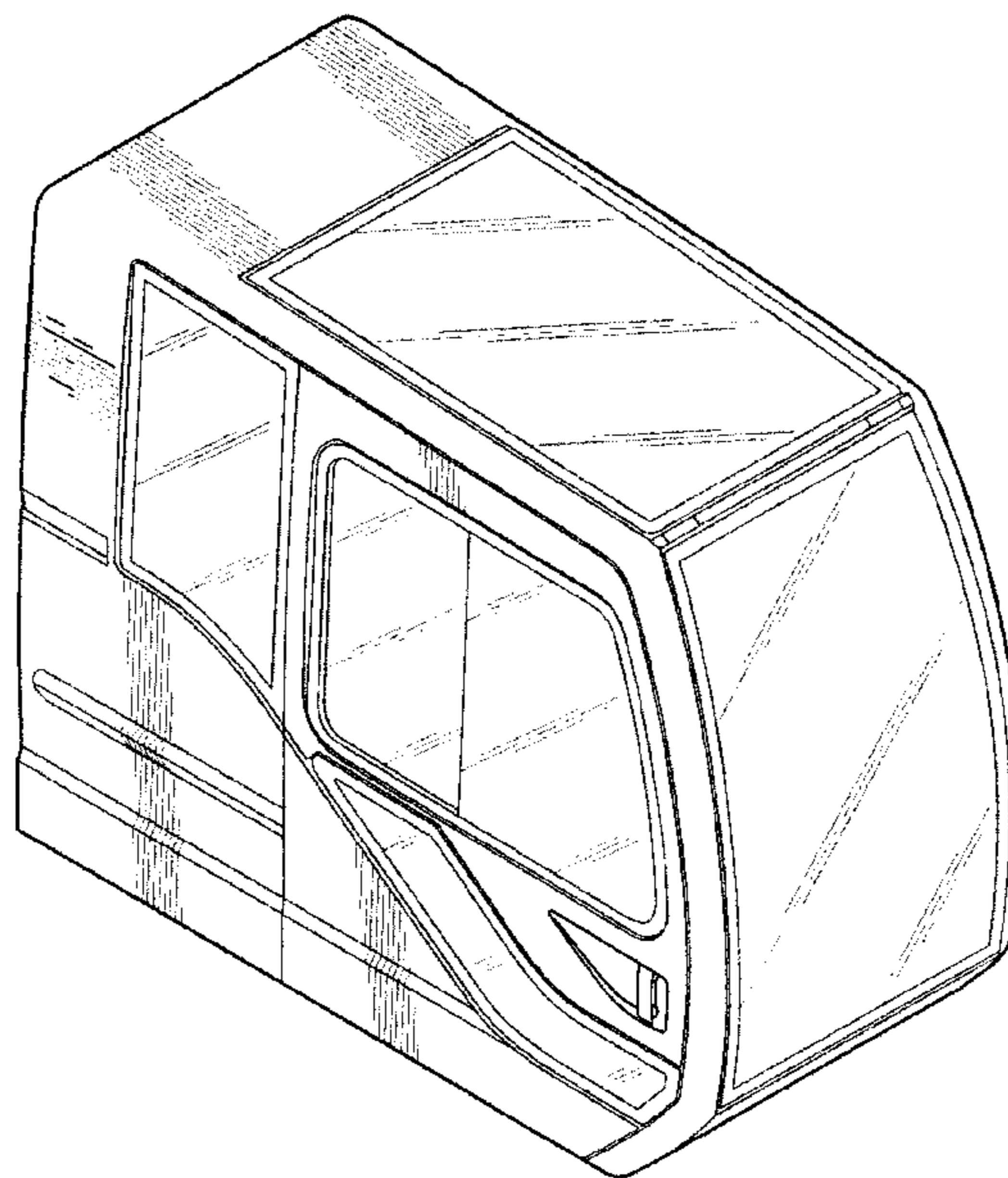
FIG. 4 is a left elevational view thereof;

FIG. 5 is a right elevational view thereof;

FIG. 6 is a bottom plan view thereof; and,

FIG. 7 is a top plan view thereof.

1 Claim, 7 Drawing Sheets



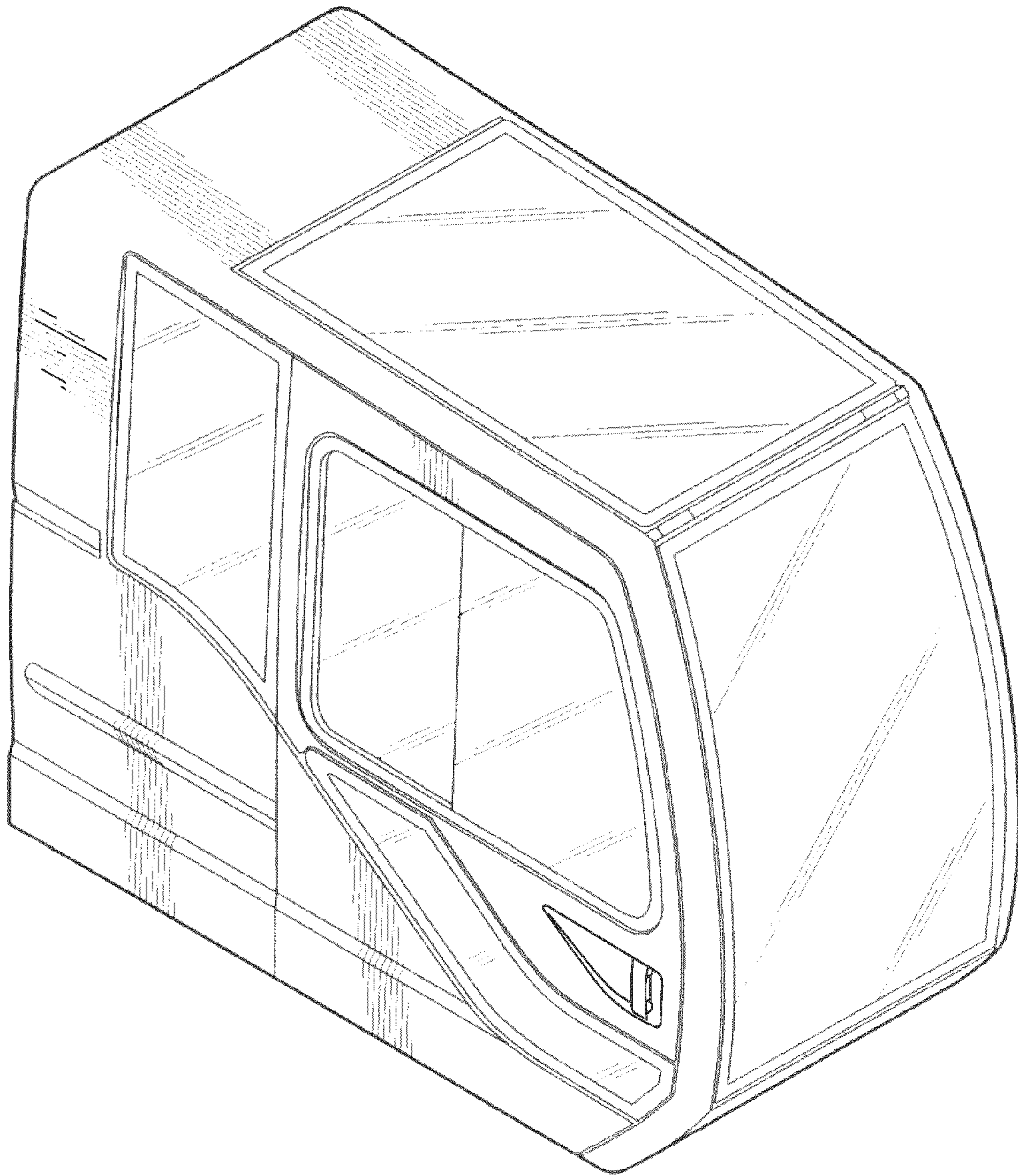


Fig. 1

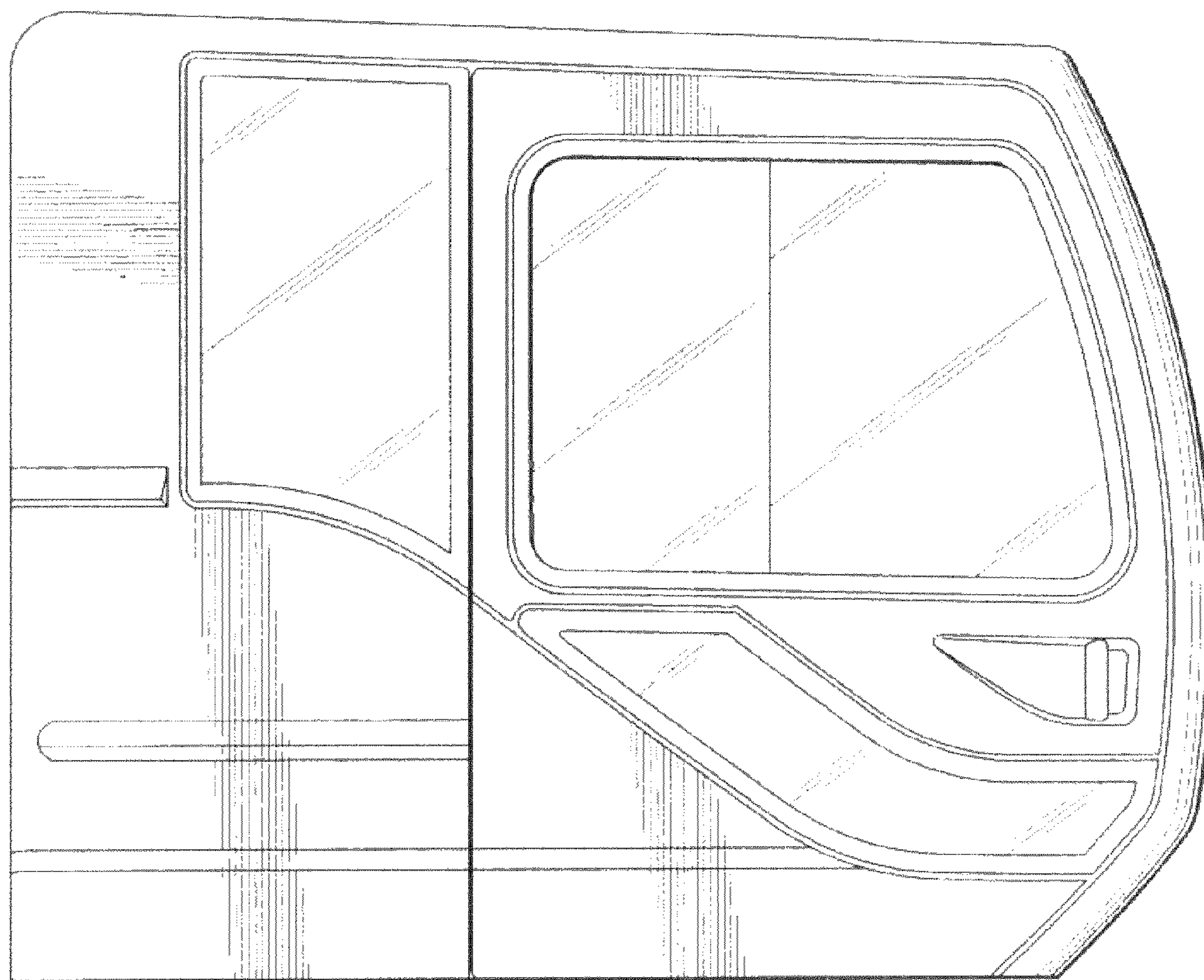


Fig. 2

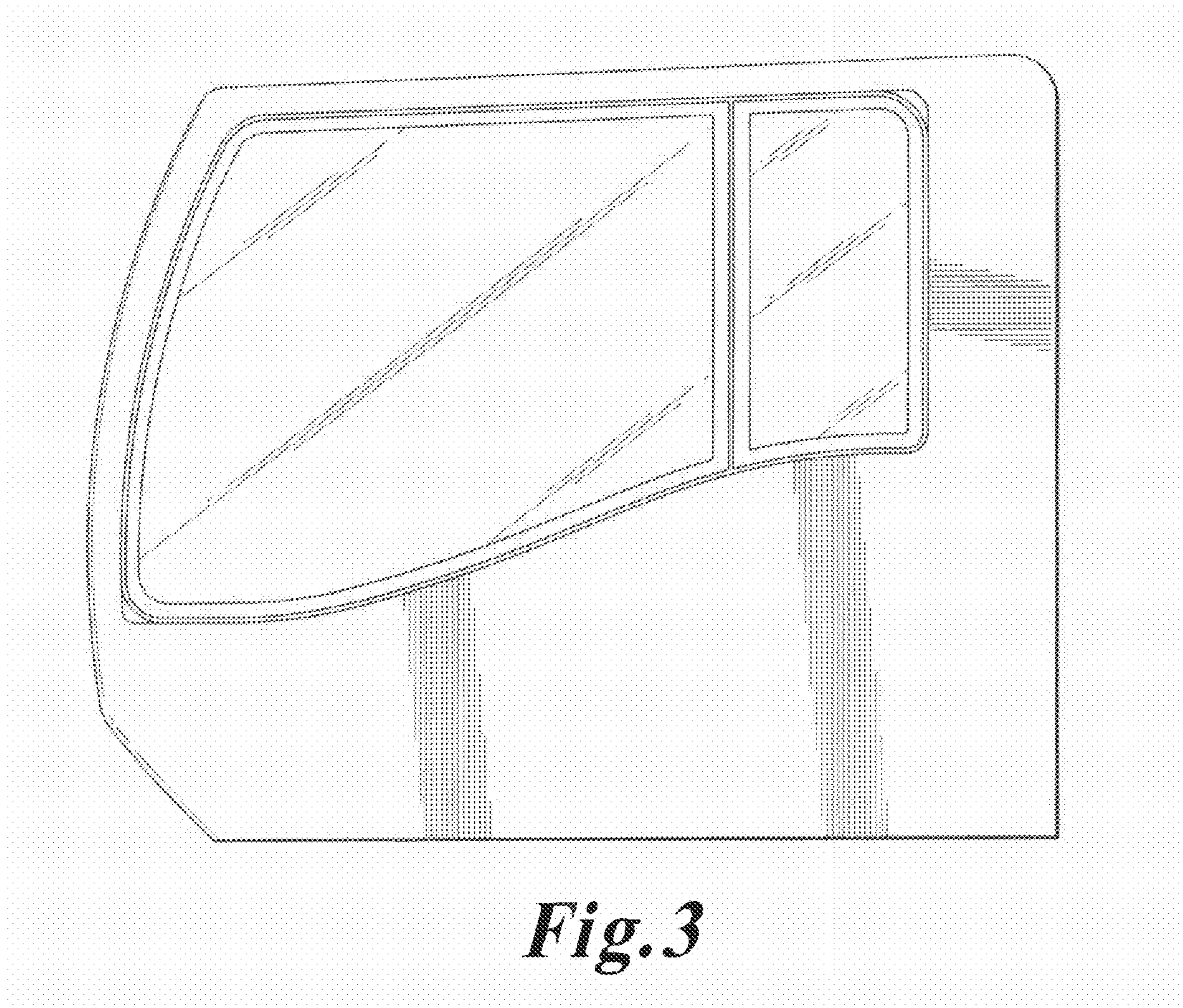


Fig. 3

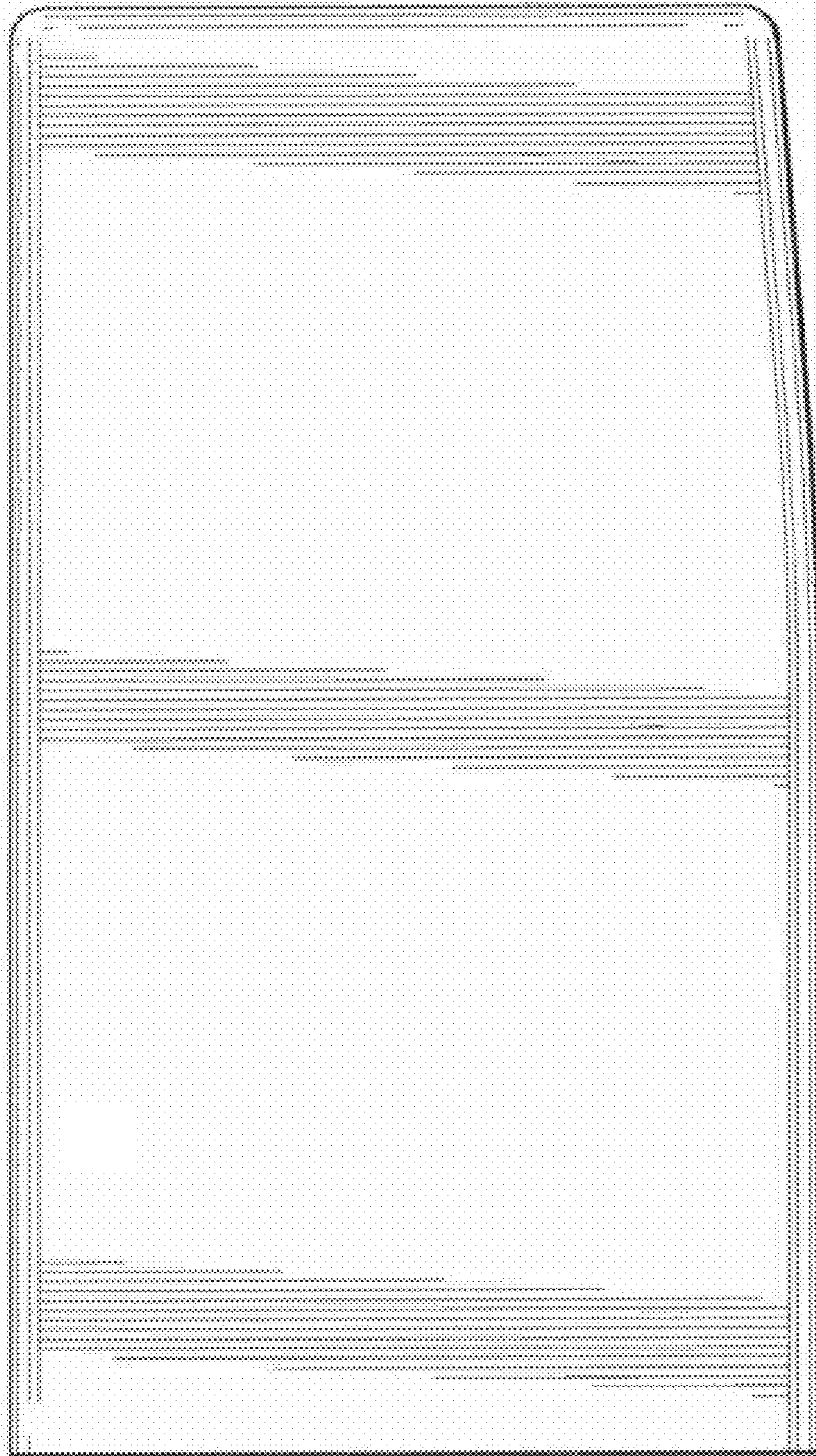


Fig. 4

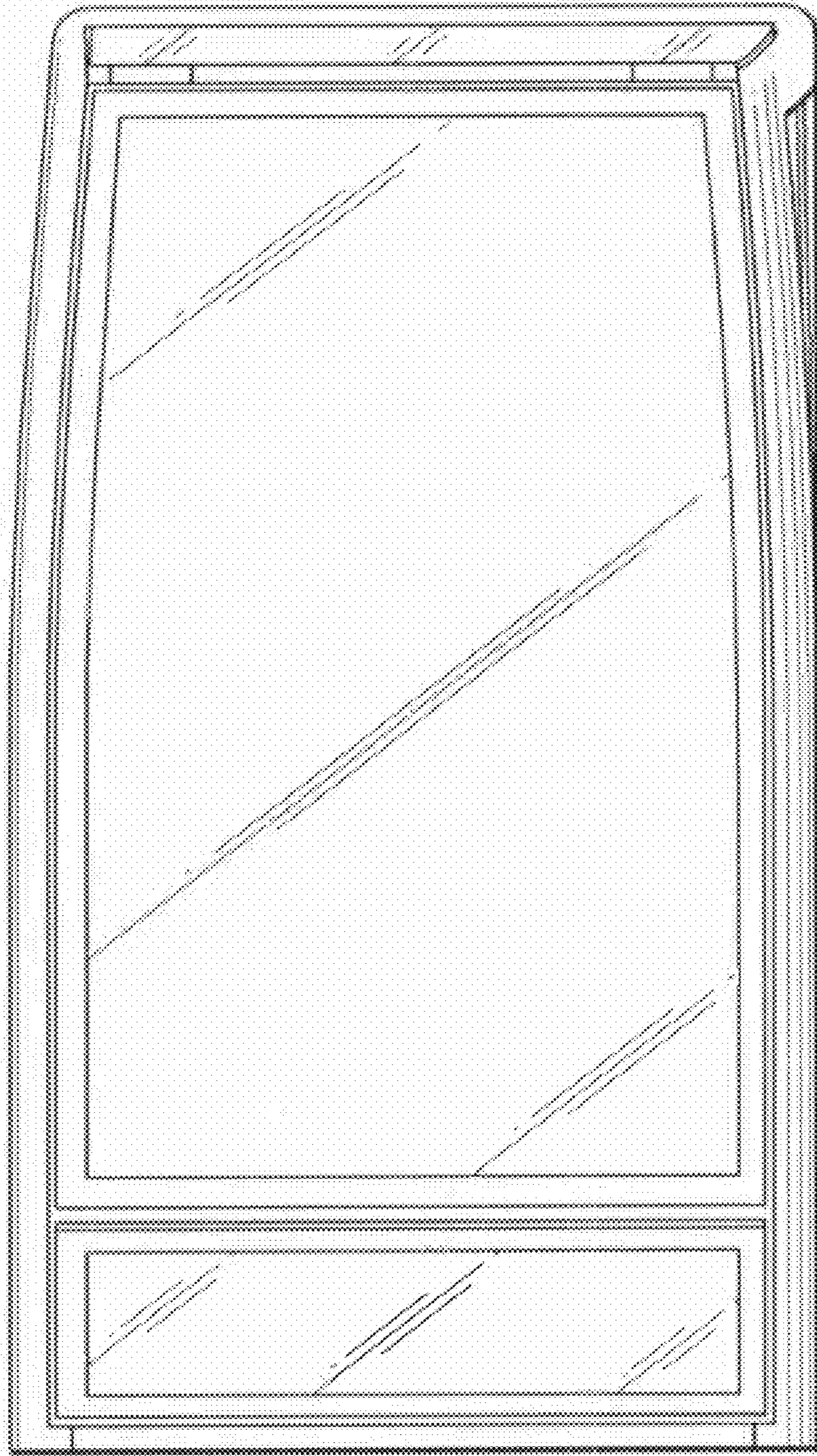


Fig. 5

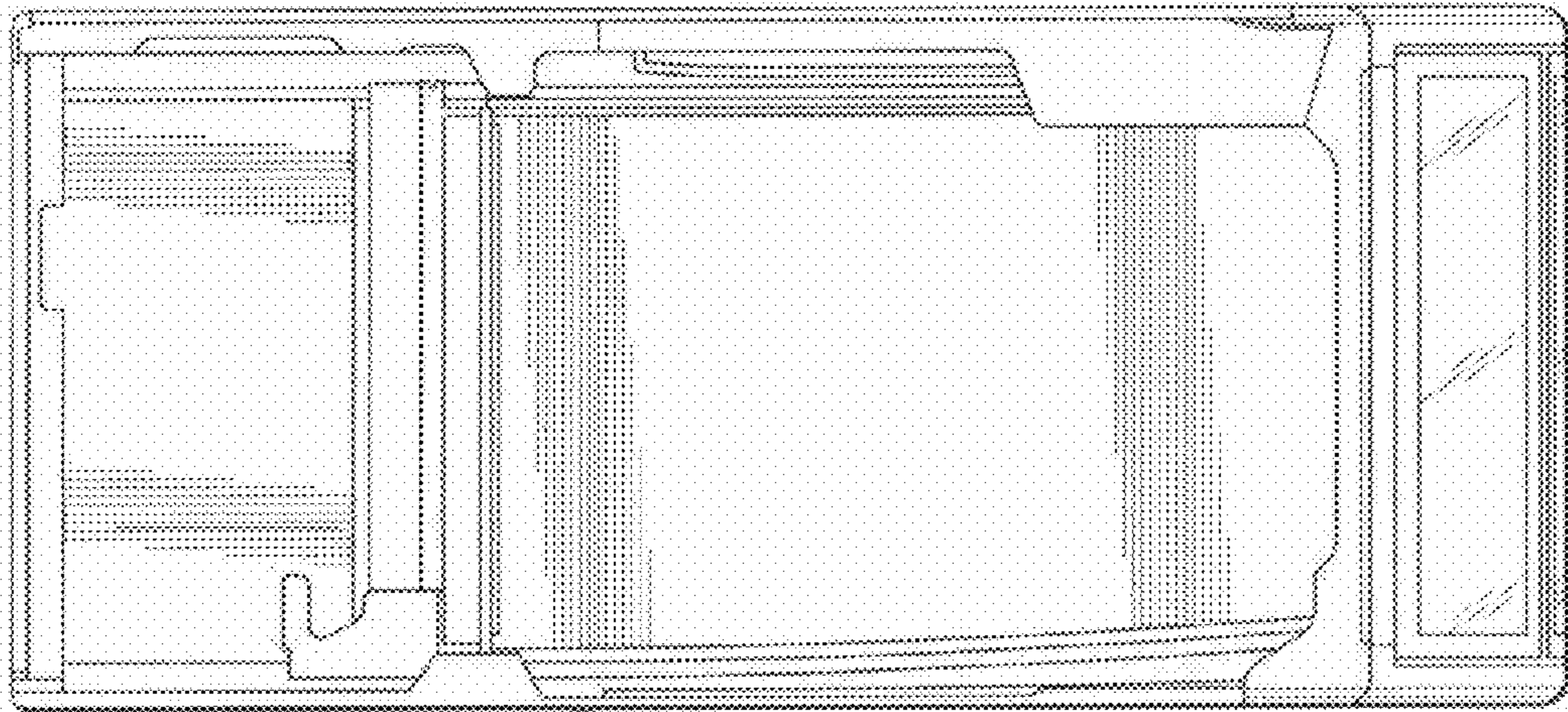


Fig. 6

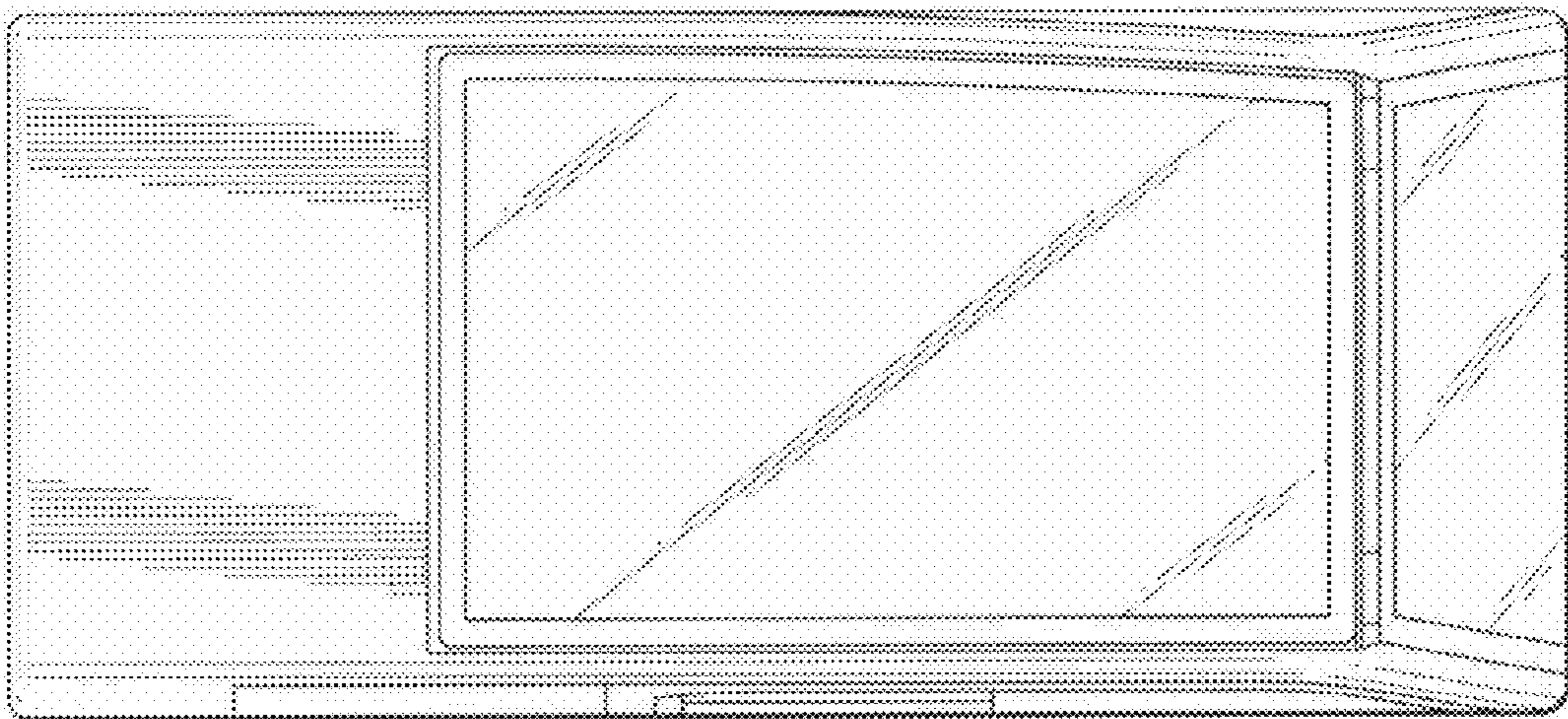


Fig. 7