



US00D629428S

(12) **United States Design Patent**
Paterson

(10) **Patent No.:** **US D629,428 S**

(45) **Date of Patent:** **** Dec. 21, 2010**

(54) **AGRICULTURAL TILLAGE IMPLEMENT**

(76) **Inventor:** **Kentyn Scott Paterson**, Lot 10
Willamulka Road, Bute, South Australia,
5560 (AU)

(**) **Term:** **14 Years**

(21) **Appl. No.:** **29/357,305**

(22) **Filed:** **Mar. 10, 2010**

(30) **Foreign Application Priority Data**

Sep. 11, 2009 (AU) 13535/2009

(51) **LOC (9) Cl.** **15-03**

(52) **U.S. Cl.** **D15/28; D15/29; D15/21**

(58) **Field of Classification Search** D15/10,
D15/11, 27, 28, 29, 33, 21; 172/579, 311,
172/568, 612, 468, 637, 662, 684.5, 689,
172/551, 576, 595, 455, 518, 527, 567, 586,
172/142, 152, 154, 178, 181, 196, 442, 440,
172/441, 314, 548, 454, 583, 140, 776, 22,
172/145-147, 175, 669; 59/78, 82, 85, 93,
59/80, 83

See application file for complete search history.

(56) **References Cited**

U.S. PATENT DOCUMENTS

130,451 A * 8/1872 Swift 172/612
250,242 A * 11/1881 Haxton 172/612
D32,485 S * 4/1900 Heine D15/28
738,361 A * 9/1903 Schlosser 172/612
1,375,724 A * 4/1921 Oponiak et al. 24/573.09
1,702,946 A * 2/1929 Powers et al. 24/598.1
2,145,990 A * 2/1939 Nelson 59/85
2,825,983 A * 3/1958 Finn 56/295
3,126,865 A * 3/1964 Wiegardt, Jr. 119/234
3,310,122 A * 3/1967 Mack 172/34
3,331,489 A * 7/1967 Mattson 198/850

3,603,078 A * 9/1971 Schwiebert et al. 59/85
3,906,716 A * 9/1975 Dock 59/85
D245,910 S * 9/1977 Van Der Lely D15/29
4,582,142 A * 4/1986 Bridge 172/34
4,685,555 A * 8/1987 Smith 198/731
D299,239 S * 1/1989 Henningsen D15/28
D299,240 S * 1/1989 Henningsen D15/28
4,893,463 A * 1/1990 Woolford 59/27
4,893,682 A * 1/1990 Smallacombe 172/311
5,000,270 A * 3/1991 Phillips 172/540
5,143,160 A * 9/1992 May 172/311
5,662,173 A * 9/1997 Blesing 172/526
D384,680 S * 10/1997 Franet D15/28
6,484,812 B1 * 11/2002 Clark 172/540
7,137,239 B2 * 11/2006 Paterson 59/85
D615,107 S * 5/2010 Kelly et al. D15/28
D615,108 S * 5/2010 Kelly et al. D15/28
2005/0262823 A1 * 12/2005 Paterson 59/84

* cited by examiner

Primary Examiner—Stella M Reid

Assistant Examiner—Mark A Goodwin

(74) *Attorney, Agent, or Firm*—The Nath Law Group; Derek
Richmond

(57) **CLAIM**

The ornamental design for an agricultural tillage implement,
as shown and described.

DESCRIPTION

FIG. 1 is a top perspective view of an agricultural tillage
implement showing my new design;

FIG. 2 is a bottom perspective view thereof;

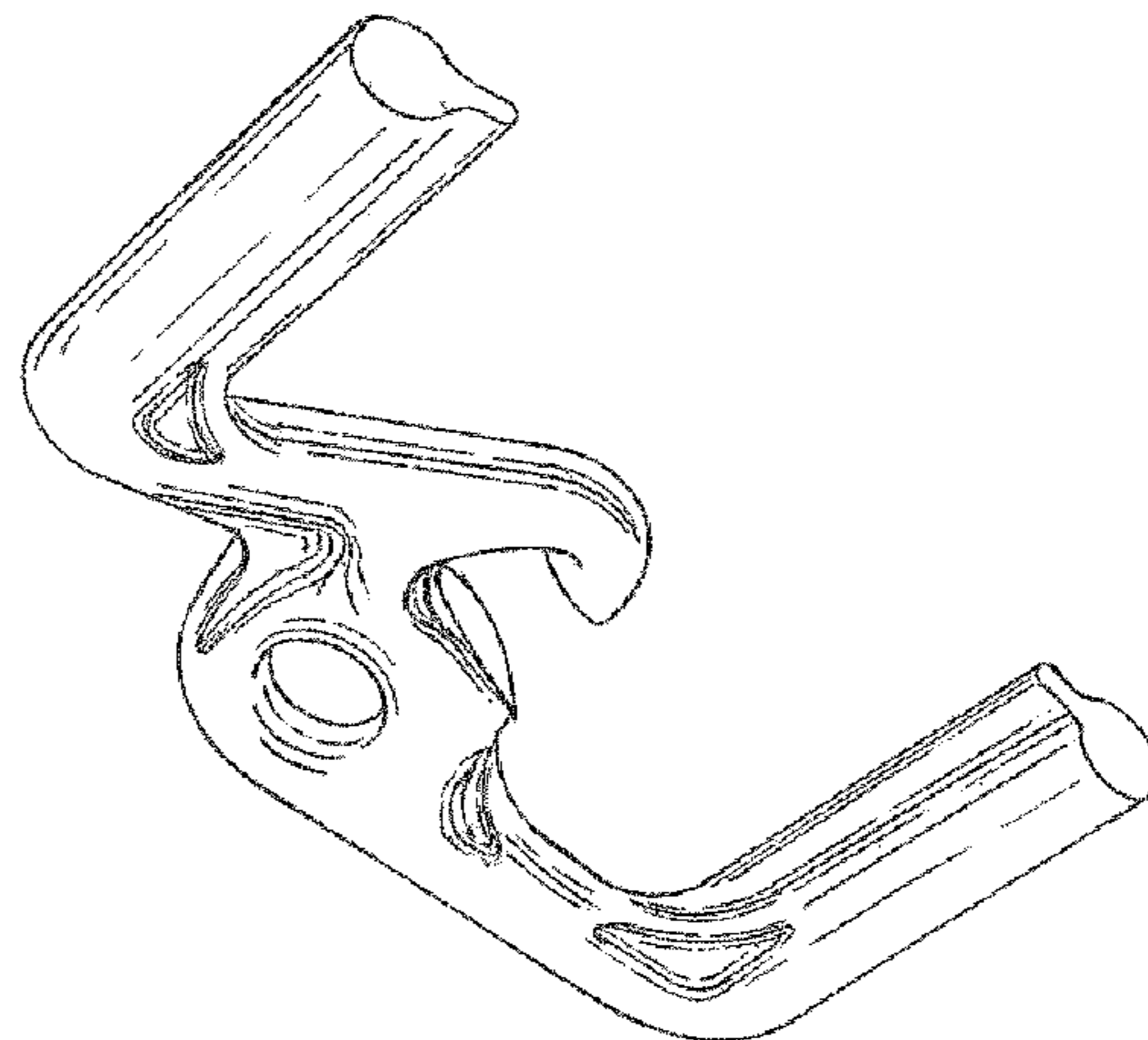
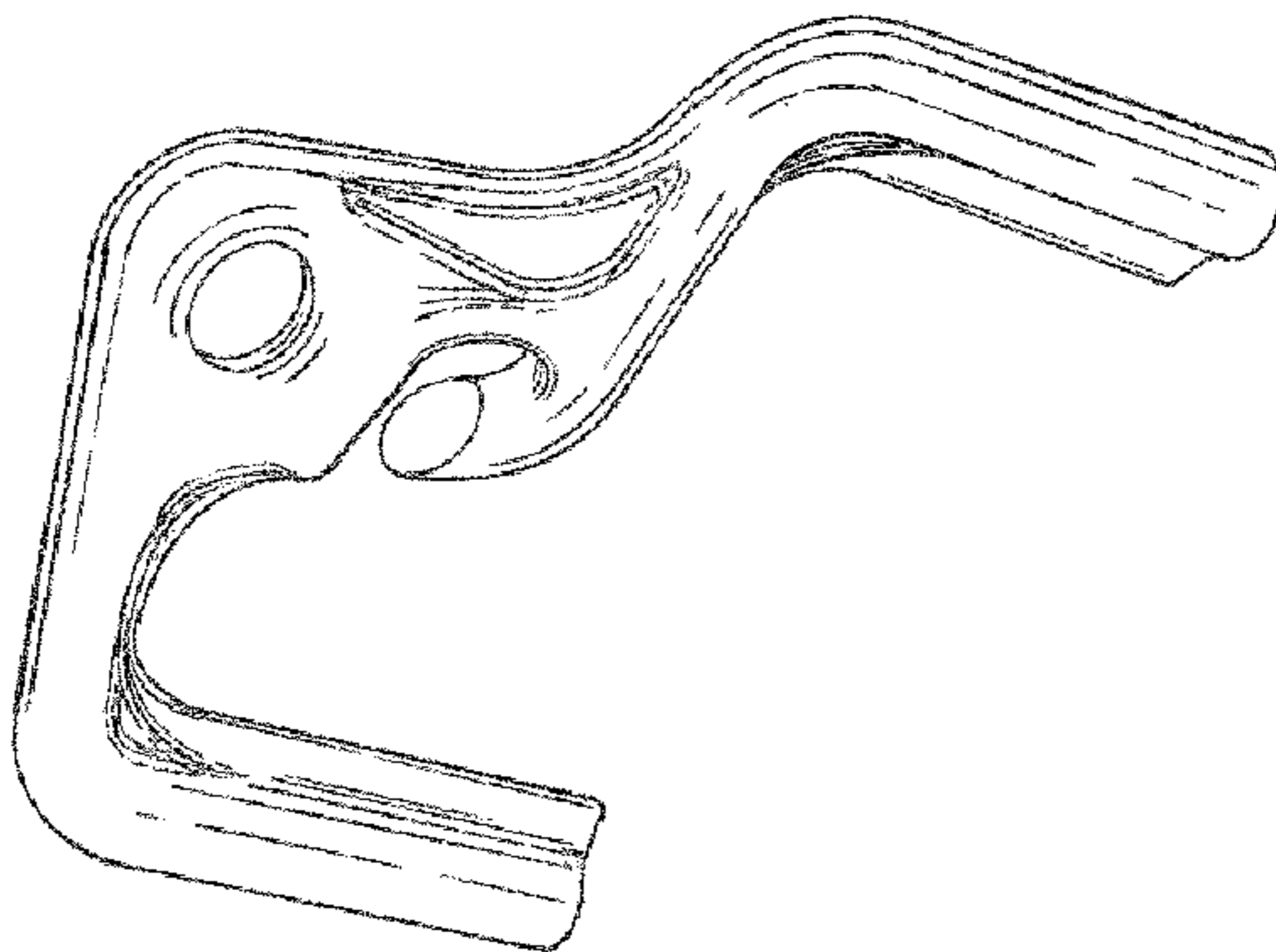
FIG. 3 is a left side view thereof;

FIG. 4 is a front view thereof;

FIG. 5 is a right side view thereof; and,

FIG. 6 is a top plan view thereof.

1 Claim, 2 Drawing Sheets



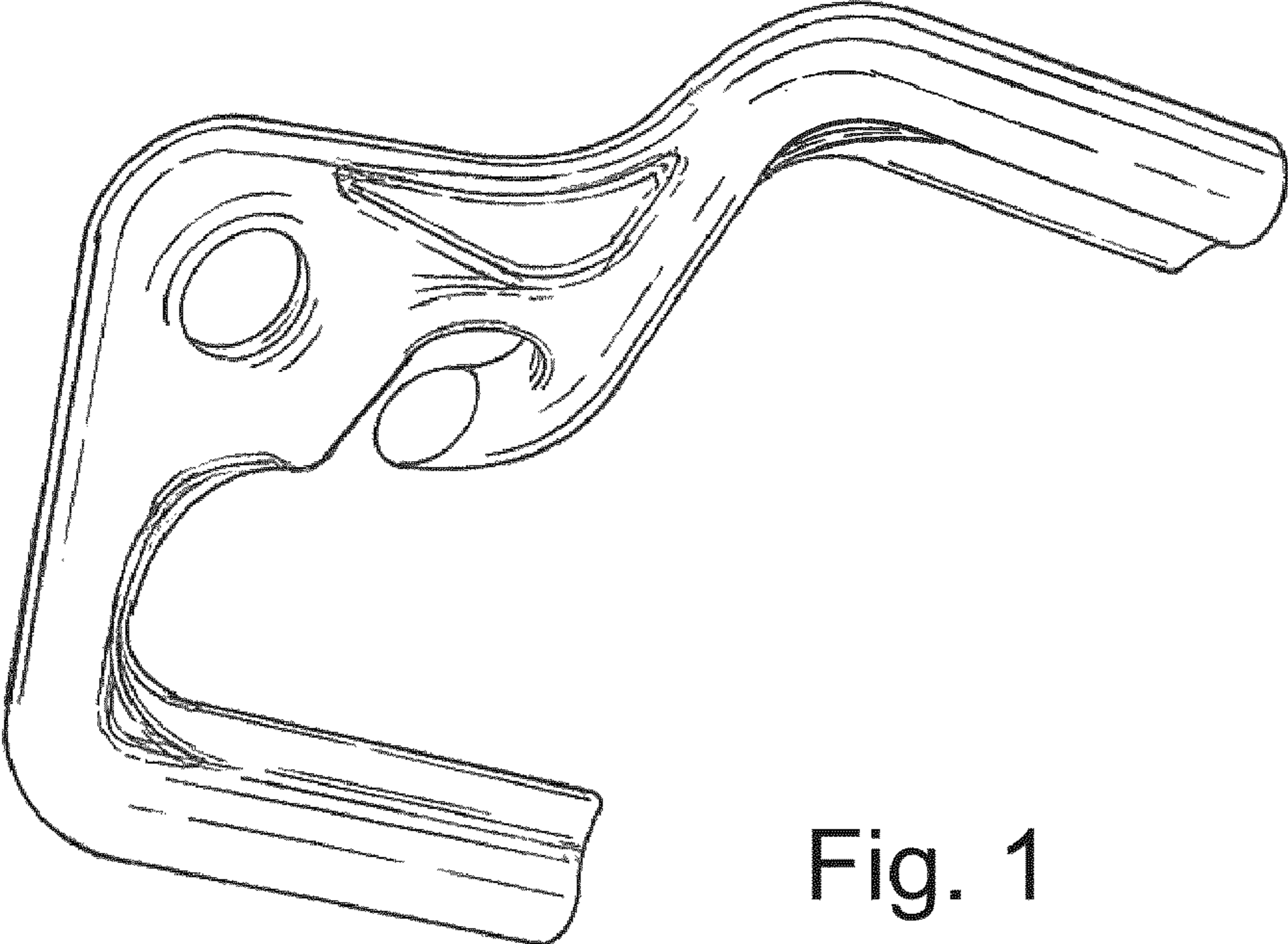


Fig. 1

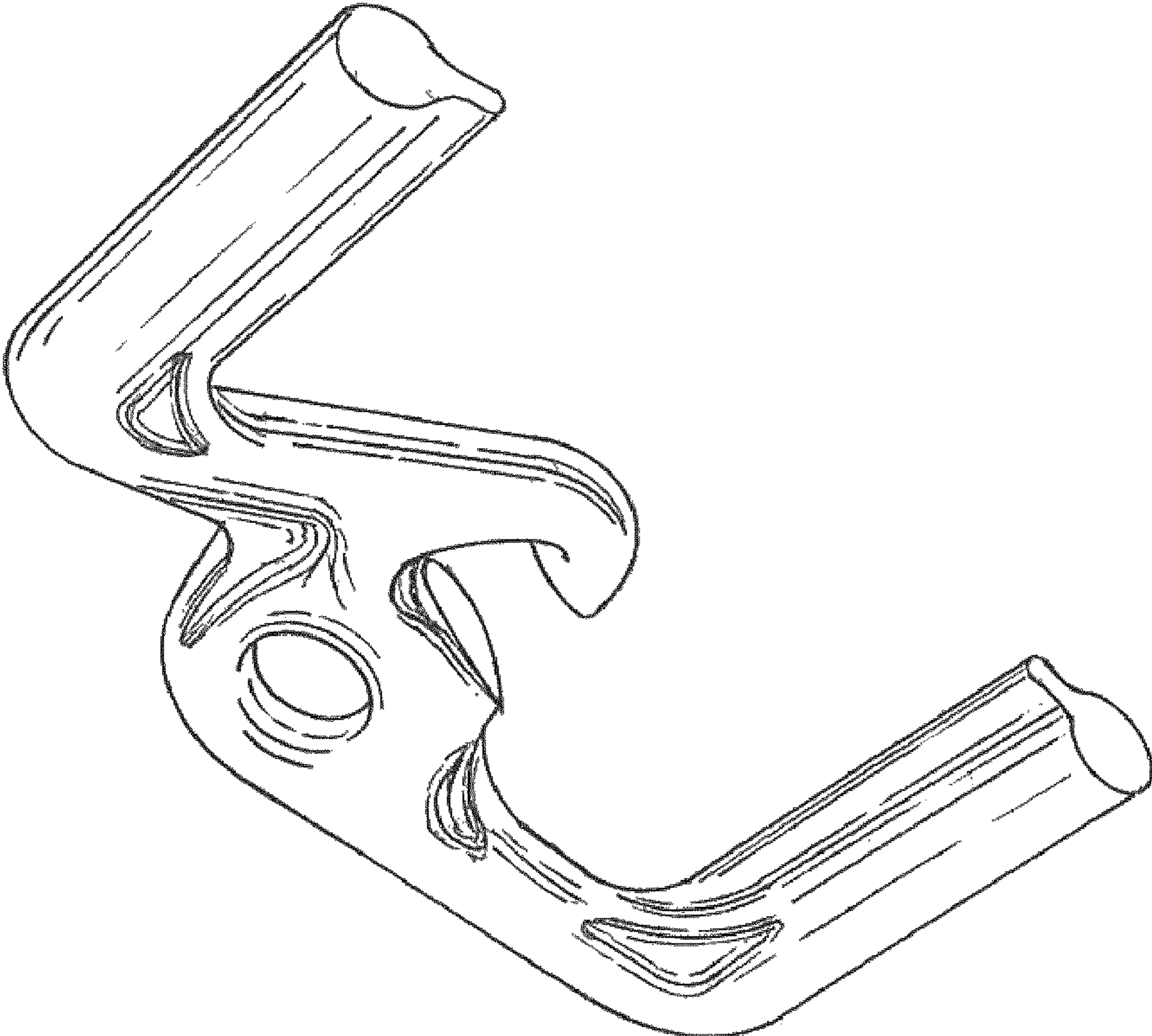


Fig. 2

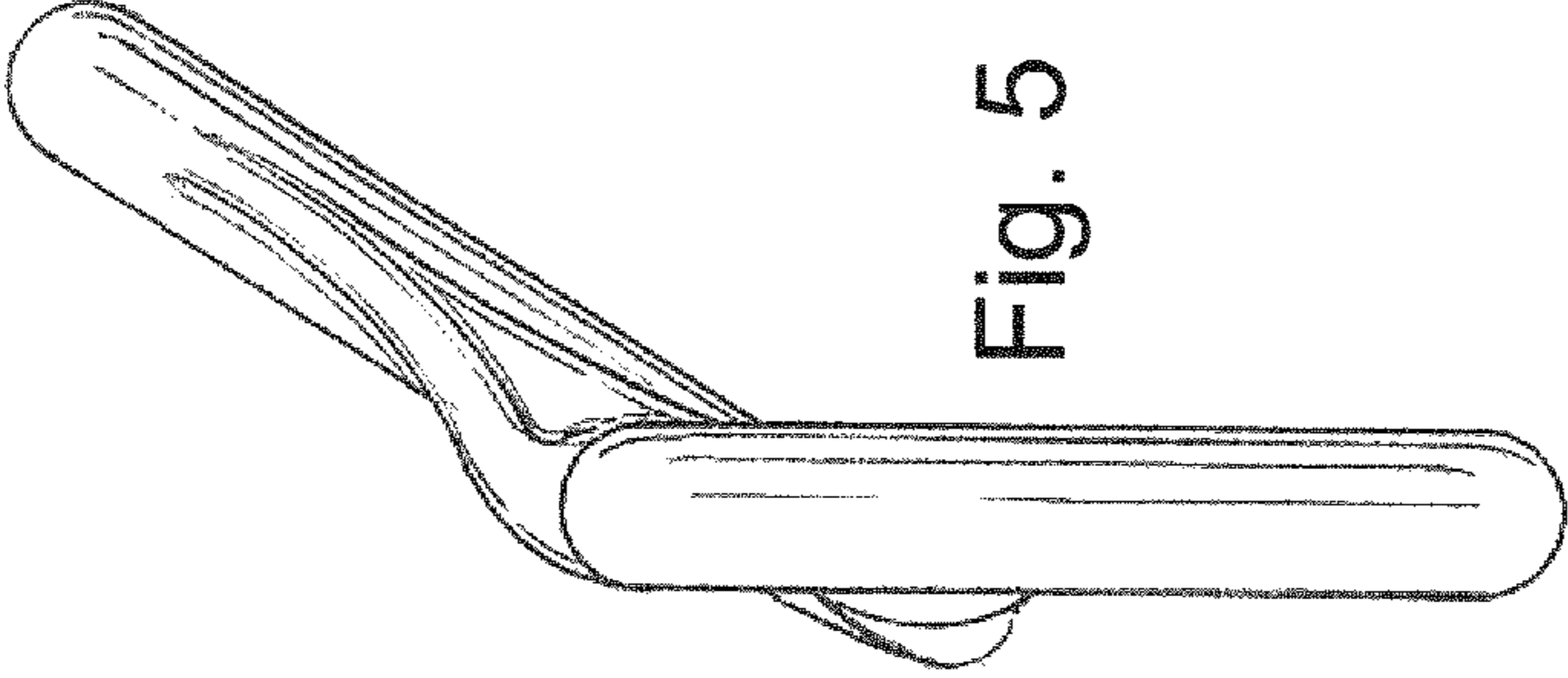


Fig. 5

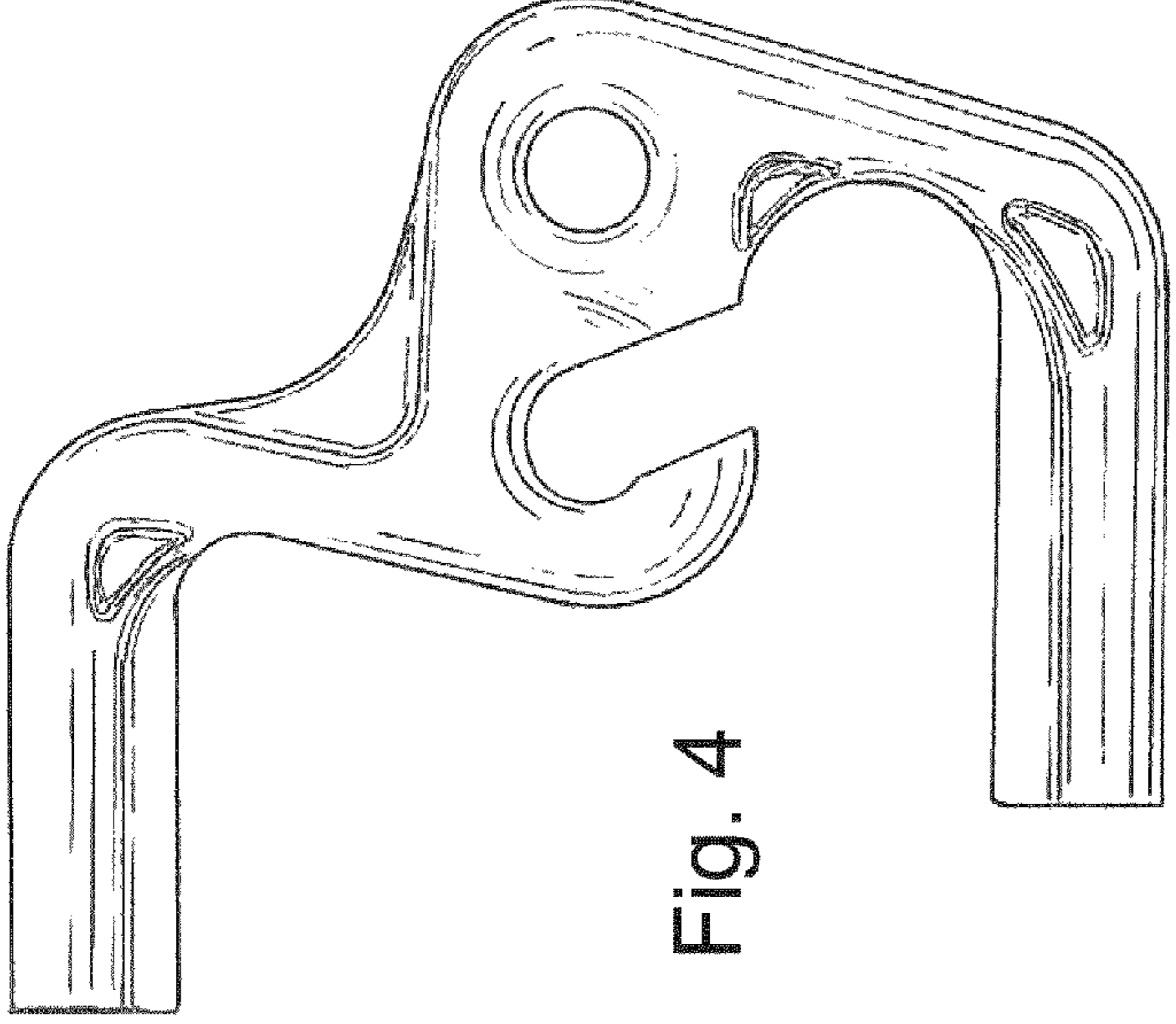


Fig. 4

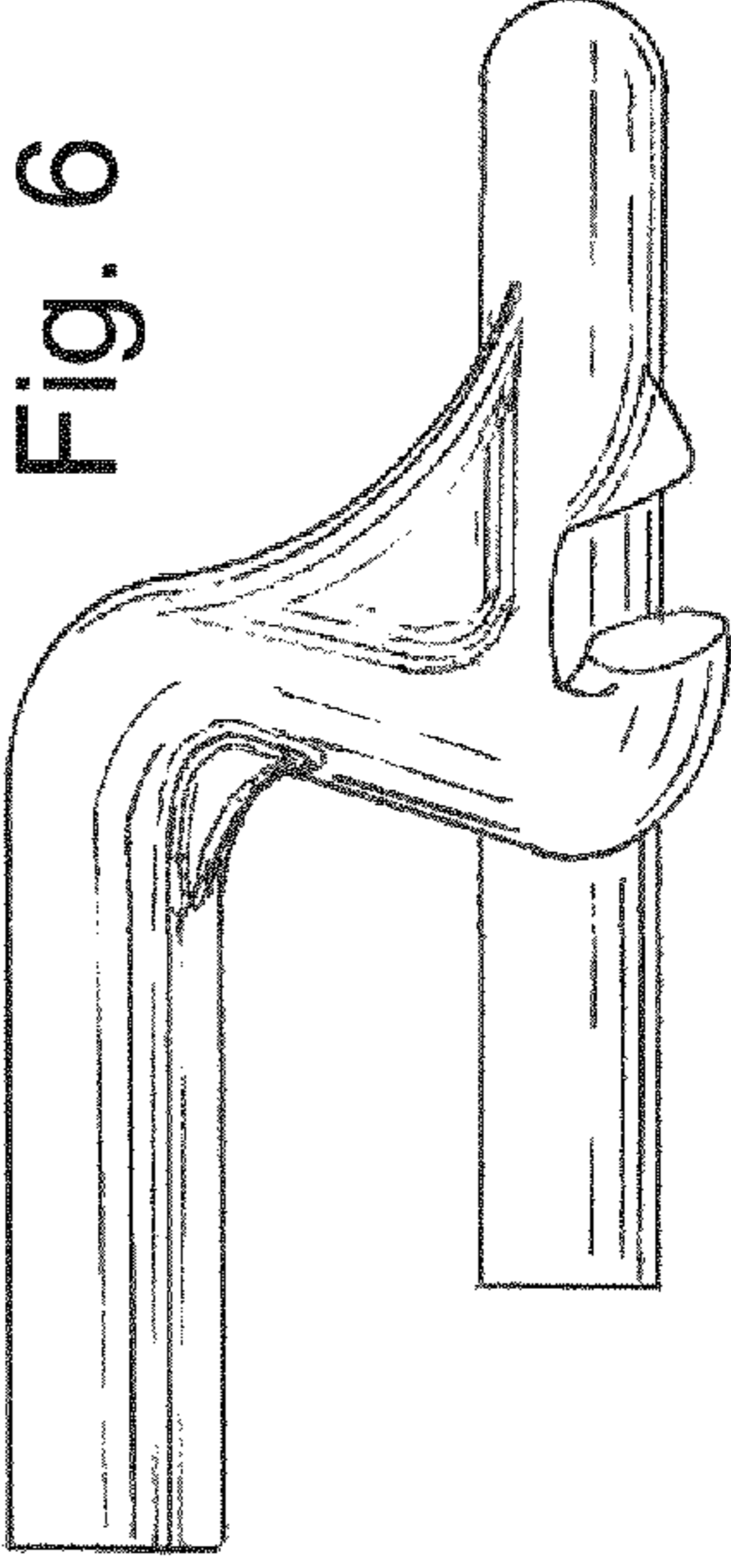


Fig. 6

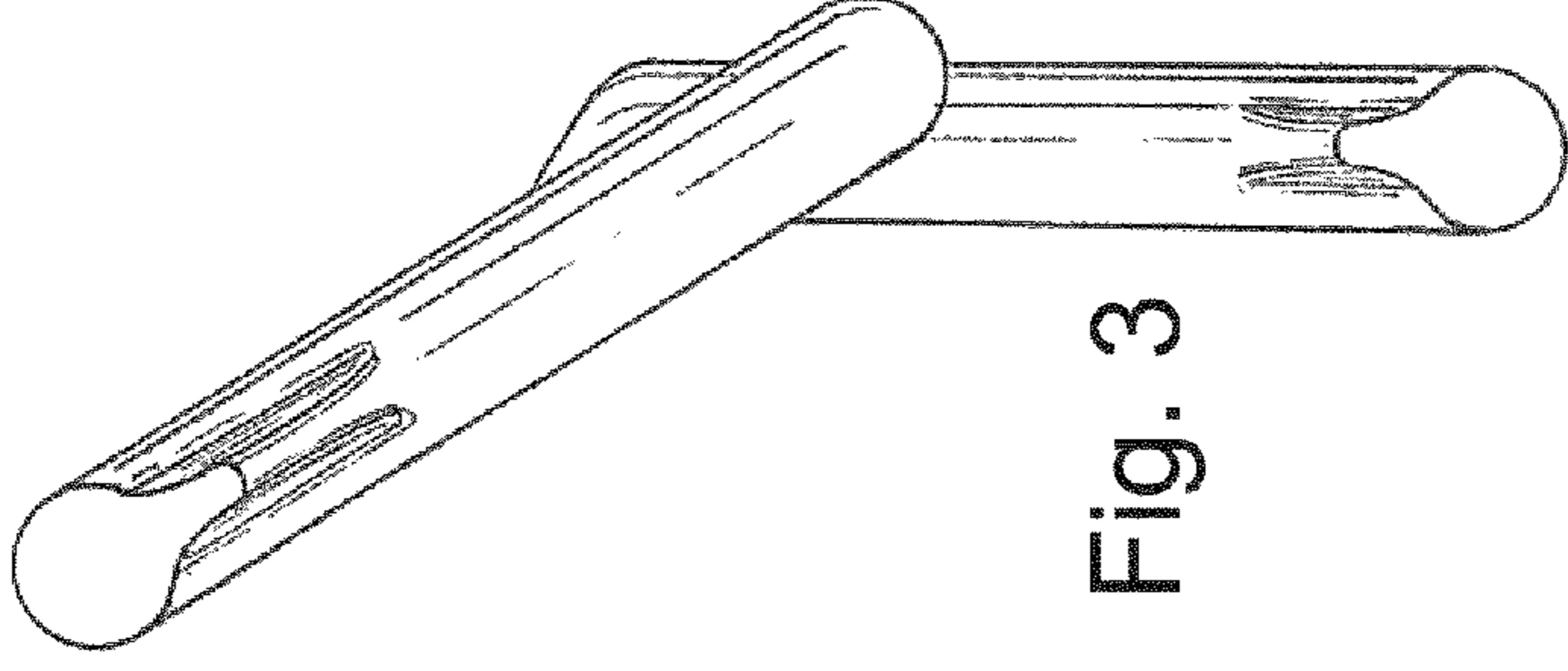


Fig. 3