

US00D629427S

(12) **United States Design Patent**
Prickel et al.

(10) **Patent No.:** **US D629,427 S**

(45) **Date of Patent:** **** *Dec. 21, 2010**

(54) **PLANTER**

(75) Inventors: **Marvin Prickel**, Homer Glen, IL (US);
Travis L. Harnetiaux, Bourbonnais, IL (US);
Joshua E. Breuer, Chicago, IL (US);
Dennis G. Thompson, Saskatoon (CA);
Cory L. Vincent, Bettendorf, IA (US);
David D. Seib, Saskatoon (CA);
Ricardo Diaz, Westchester, IL (US);
Brian Anderson, Yorkville, IL (US);
Michael J. Connors, Lockport, IL (US)

(73) Assignee: **CNH Canada, Ltd.** (CA)

(*) Notice: This patent is subject to a terminal disclaimer.

(**) Term: **14 Years**

(21) Appl. No.: **29/355,258**

(22) Filed: **Feb. 4, 2010**

(51) **LOC (9) Cl.** **15-03**

(52) **U.S. Cl.** **D15/27; D15/10**

(58) **Field of Classification Search** D15/10,
D15/12, 27, 28; 56/15.8, 15.9; 172/311,
172/210, 466, 484, 456, 481, 605, 626, 776,
172/507; 111/52-57; 280/401, 411 A-411 C,
280/415 A, 415 R, 412, 413, 482, 656
See application file for complete search history.

(56) **References Cited**

U.S. PATENT DOCUMENTS

D251,562 S *	4/1979	Hansen	D15/33
4,721,168 A *	1/1988	Kinzenbaw	172/311
5,232,054 A *	8/1993	Van Blaricon et al.	172/311
5,402,945 A *	4/1995	Swanson, Jr.	239/706
5,488,996 A *	2/1996	Barry et al.	172/311
5,647,440 A *	7/1997	Barry et al.	172/311
5,787,988 A *	8/1998	Harlan et al.	172/311
5,829,370 A *	11/1998	Bender	111/54
6,076,613 A *	6/2000	Frasier	172/311
6,213,034 B1 *	4/2001	Raducha et al.	111/57

6,502,645 B1 *	1/2003	Brueggen et al.	172/311
D469,782 S *	2/2003	Paluch et al.	D15/10
6,666,155 B2 *	12/2003	Paluch et al.	111/54
6,902,010 B2 *	6/2005	Shoup	172/456
6,935,254 B2 *	8/2005	Ostrander et al.	111/174
D559,868 S *	1/2008	Nanlawala et al.	D15/27
2003/0164126 A1 *	9/2003	Paluch et al.	111/57
2003/0164127 A1 *	9/2003	Paluch	111/200
2004/0011538 A1 *	1/2004	Raducha et al.	172/311
2004/0050563 A1 *	3/2004	Shoup	172/311
2004/0149464 A1 *	8/2004	Arnett	172/311
2005/0087350 A1 *	4/2005	Bauer	172/311
2006/0081163 A1 *	4/2006	Auer et al.	111/130
2007/0163791 A1 *	7/2007	Meek	172/311
2009/0178600 A1 *	7/2009	Horn et al.	111/52
2009/0199750 A1 *	8/2009	Rice et al.	111/52

(Continued)

Primary Examiner—Mark A Goodwin

(74) *Attorney, Agent, or Firm*—Rebecca Henkel

(57) **CLAIM**

The ornamental design for a planter, as shown and described.

DESCRIPTION

FIG. 1 is an isometric view of a planter in accordance with the present invention;

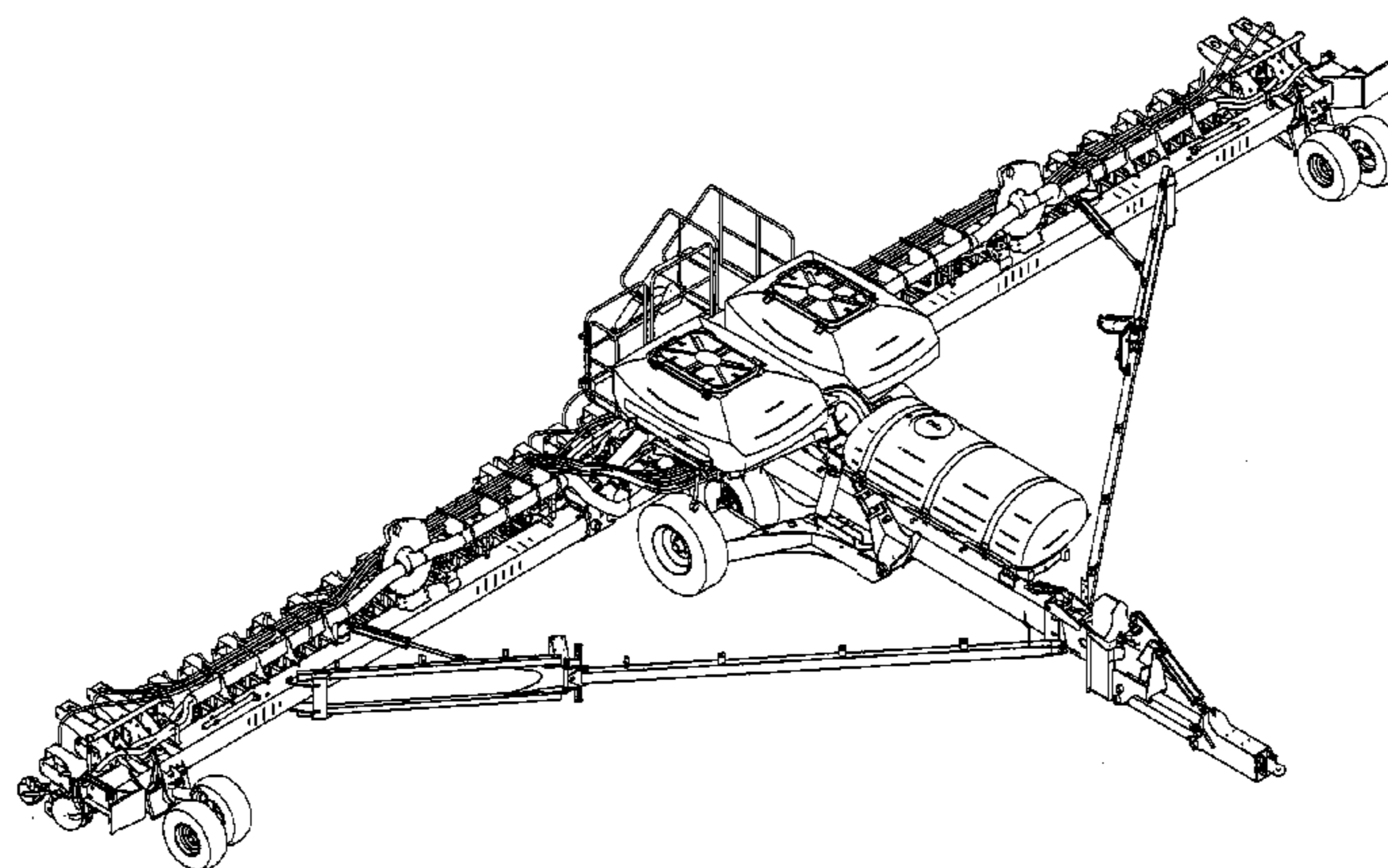
FIG. 2 is a top plan view of the planter of FIG. 1;

FIG. 3 is a front elevational view of the planter of FIG. 1;

FIG. 4 is a rear elevational view of the planter of FIG. 1; and,

FIG. 5 is a side elevational view of the planter of FIG. 1.

1 Claim, 4 Drawing Sheets



US D629,427 S

Page 2

U.S. PATENT DOCUMENTS			
2009/0229501	A1*	9/2009	Jaime et al. 111/55
2010/0101812	A1*	4/2010	Friggstad 172/311
2010/0101813	A1*	4/2010	Friggstad et al. 172/311
2010/0126742	A1*	5/2010	Poole et al. 172/311
2010/0126743	A1*	5/2010	Poole et al. 172/311
2010/0126744	A1*	5/2010	Poole 172/311

* cited by examiner

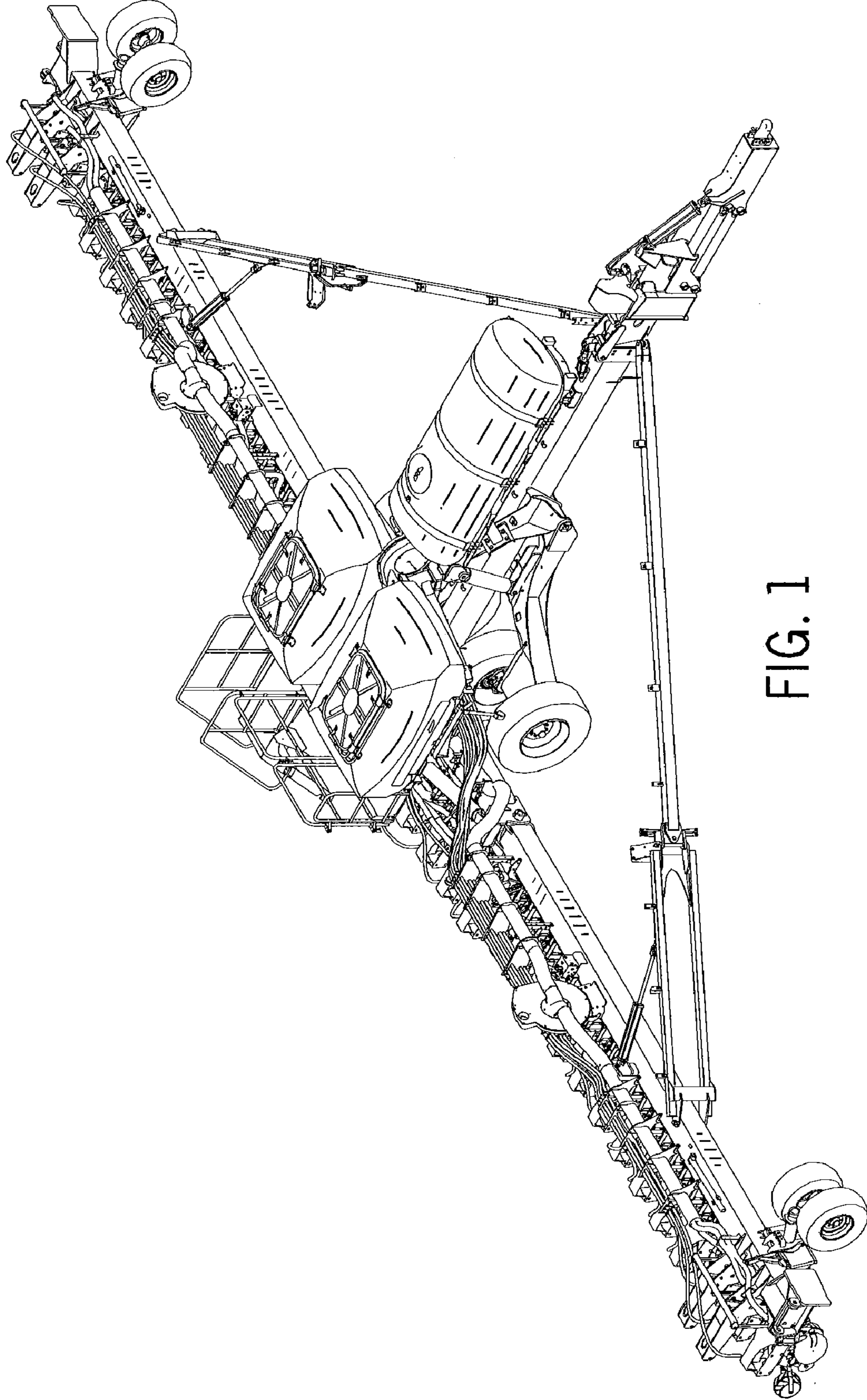


FIG. 1

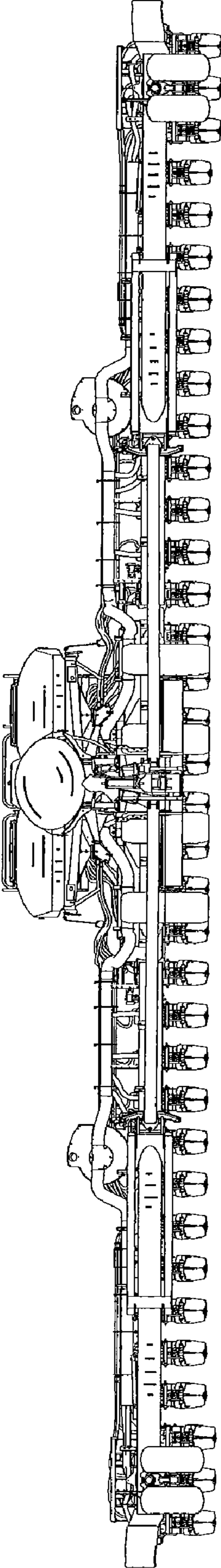


FIG. 3

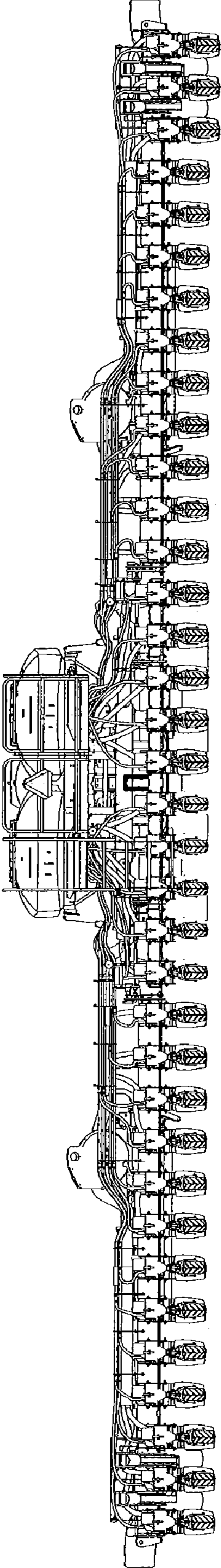


FIG. 4

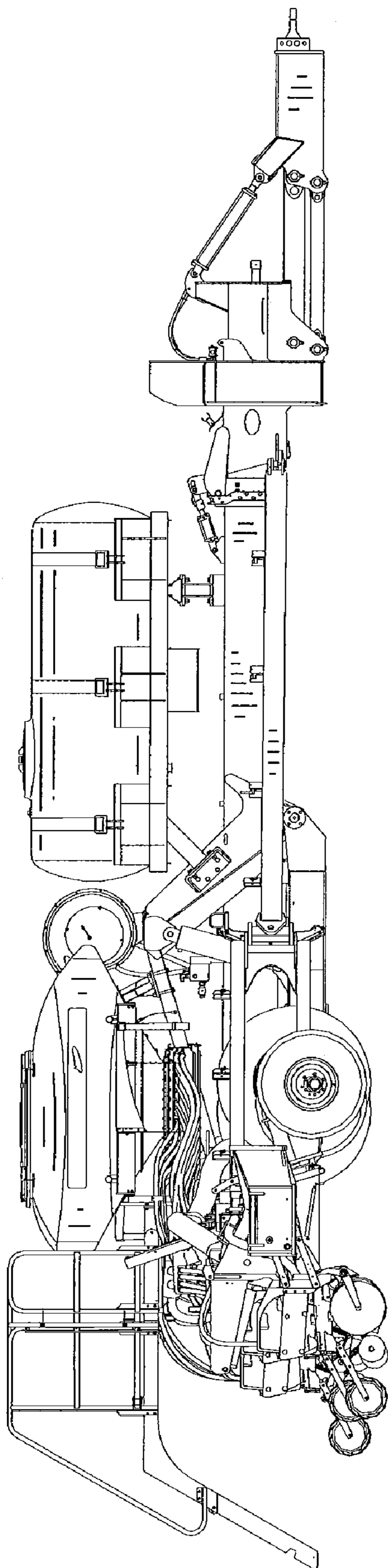


FIG. 5