



US00D629426S

(12) **United States Design Patent**
Prickel et al.

(10) **Patent No.:** **US D629,426 S**

(45) **Date of Patent:** **** *Dec. 21, 2010**

(54) **PLANTER**

(75) Inventors: **Marvin Prickel**, Homer Glen, IL (US);
Travis L. Harnetiaux, Bourbonnais, IL (US);
Joshua E. Breuer, Chicago, IL (US);
Dennis G. Thompson, Saskatoon (CA);
Cory L. Vincent, Bettendorf, IA (US);
David D. Seib, Saskatoon (CA);
Ricardo Diaz, Westchester, IL (US);
Brian Anderson, Yorkville, IL (US);
Michael J. Connors, Lockport, IL (US)

(73) Assignee: **CNH Canada, Ltd.** (CA)

(*) Notice: This patent is subject to a terminal disclaimer.

(**) Term: **14 Years**

(21) Appl. No.: **29/355,256**

(22) Filed: **Feb. 4, 2010**

(51) **LOC (9) Cl.** **15-03**

(52) **U.S. Cl.** **D15/27; D15/10**

(58) **Field of Classification Search** D15/10,
D15/12, 27, 28; 56/15.8, 15.9; 172/311,
172/210, 466, 484, 456, 481, 605, 626, 776,
172/507; 111/52-57; 280/401, 411 A-411 C,
280/415 A, 415 R, 412, 413, 482, 656
See application file for complete search history.

(56) **References Cited**

U.S. PATENT DOCUMENTS

| | | | | | |
|-----------|------|---------|---------------------|-------|---------|
| D251,562 | S * | 4/1979 | Hansen | | D15/33 |
| 4,721,168 | A * | 1/1988 | Kinzenbaw | | 172/311 |
| 5,232,054 | A * | 8/1993 | Van Blaricon et al. | | 172/311 |
| 5,402,945 | A * | 4/1995 | Swanson, Jr. | | 239/706 |
| 5,488,996 | A * | 2/1996 | Barry et al. | | 172/311 |
| 5,647,440 | A * | 7/1997 | Barry et al. | | 172/311 |
| 5,787,988 | A * | 8/1998 | Harlan et al. | | 172/311 |
| 5,829,370 | A * | 11/1998 | Bender | | 111/54 |
| 6,076,613 | A * | 6/2000 | Frasier | | 172/311 |
| 6,213,034 | B1 * | 4/2001 | Raducha et al. | | 111/57 |

| | | | | | |
|--------------|------|---------|------------------|-------|---------|
| 6,502,645 | B1 * | 1/2003 | Brueggen et al. | | 172/311 |
| D469,782 | S * | 2/2003 | Paluch et al. | | D15/10 |
| 6,666,155 | B2 * | 12/2003 | Paluch et al. | | 111/54 |
| 6,902,010 | B2 * | 6/2005 | Shoup | | 172/456 |
| 6,935,254 | B2 * | 8/2005 | Ostrander et al. | | 111/174 |
| D559,868 | S * | 1/2008 | Nanlawala et al. | | D15/27 |
| 2003/0164126 | A1 * | 9/2003 | Paluch et al. | | 111/57 |
| 2003/0164127 | A1 * | 9/2003 | Paluch | | 111/200 |
| 2004/0011538 | A1 * | 1/2004 | Raducha et al. | | 172/311 |
| 2004/0050563 | A1 * | 3/2004 | Shoup | | 172/311 |
| 2004/0149464 | A1 * | 8/2004 | Arnett | | 172/311 |
| 2005/0087350 | A1 * | 4/2005 | Bauer | | 172/311 |
| 2006/0081163 | A1 * | 4/2006 | Auer et al. | | 111/130 |
| 2007/0163791 | A1 * | 7/2007 | Meek | | 172/311 |
| 2009/0178600 | A1 * | 7/2009 | Horn et al. | | 111/52 |
| 2009/0199750 | A1 * | 8/2009 | Rice et al. | | 111/52 |

(Continued)

Primary Examiner—Mark A Goodwin

(74) *Attorney, Agent, or Firm*—Rebecca Henkel

(57) **CLAIM**

The ornamental design for a planter, as shown and described.

DESCRIPTION

FIG. 1 is an isometric view of a planter in accordance with the present invention;

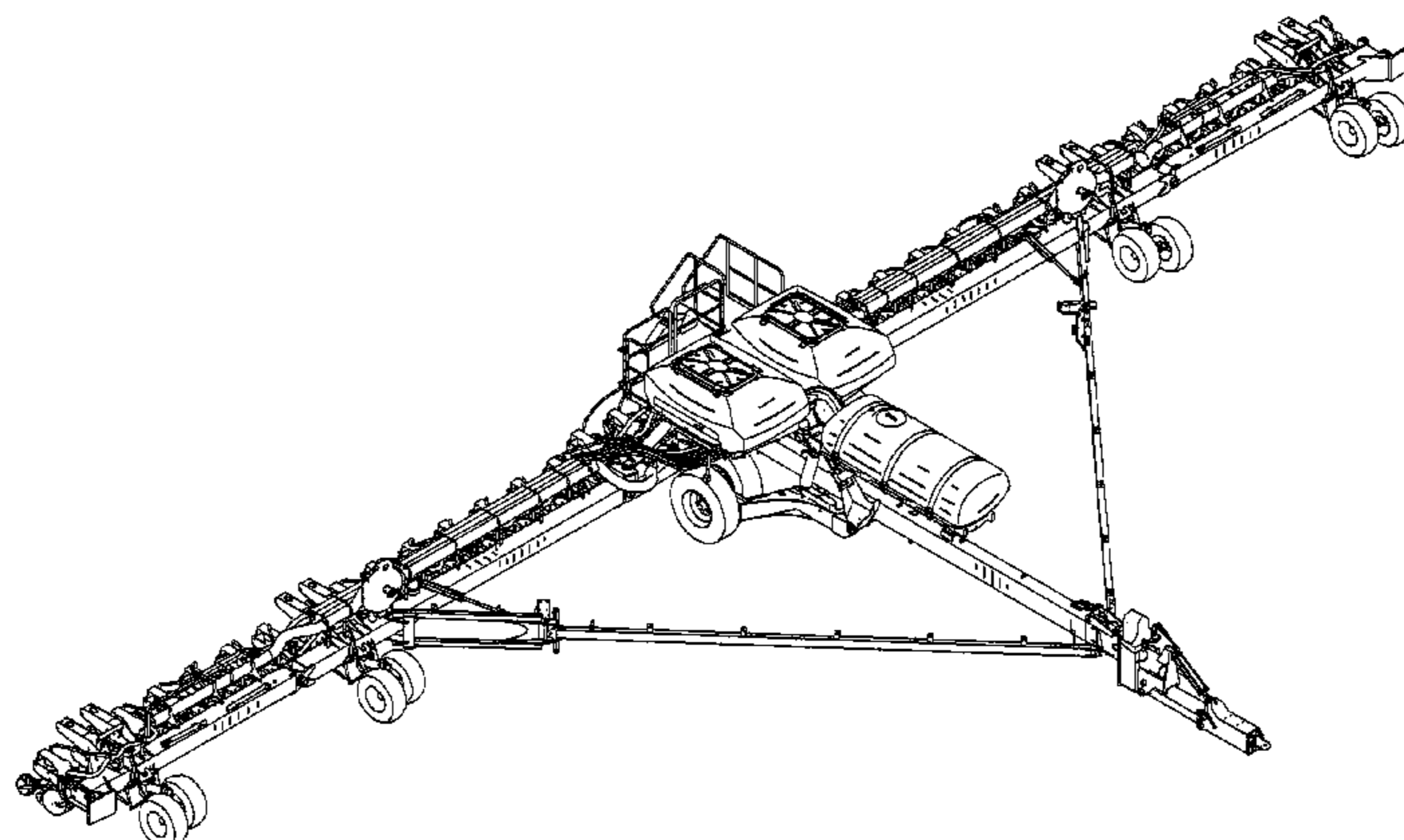
FIG. 2 is a top plan view of the planter of FIG. 1;

FIG. 3 is a front elevational view of the planter of FIG. 1;

FIG. 4 is a rear elevational view of the planter of FIG. 1; and,

FIG. 5 is a side elevational view of the planter of FIG. 1.

1 Claim, 4 Drawing Sheets



US D629,426 S

Page 2

| U.S. PATENT DOCUMENTS | | | |
|-----------------------|-----|--------|-------------------------------|
| 2009/0229501 | A1* | 9/2009 | Jaime et al. 111/55 |
| 2010/0101812 | A1* | 4/2010 | Friggstad 172/311 |
| 2010/0101813 | A1* | 4/2010 | Friggstad et al. 172/311 |
| 2010/0126742 | A1* | 5/2010 | Poole et al. 172/311 |
| 2010/0126743 | A1* | 5/2010 | Poole et al. 172/311 |
| 2010/0126744 | A1* | 5/2010 | Poole 172/311 |

* cited by examiner

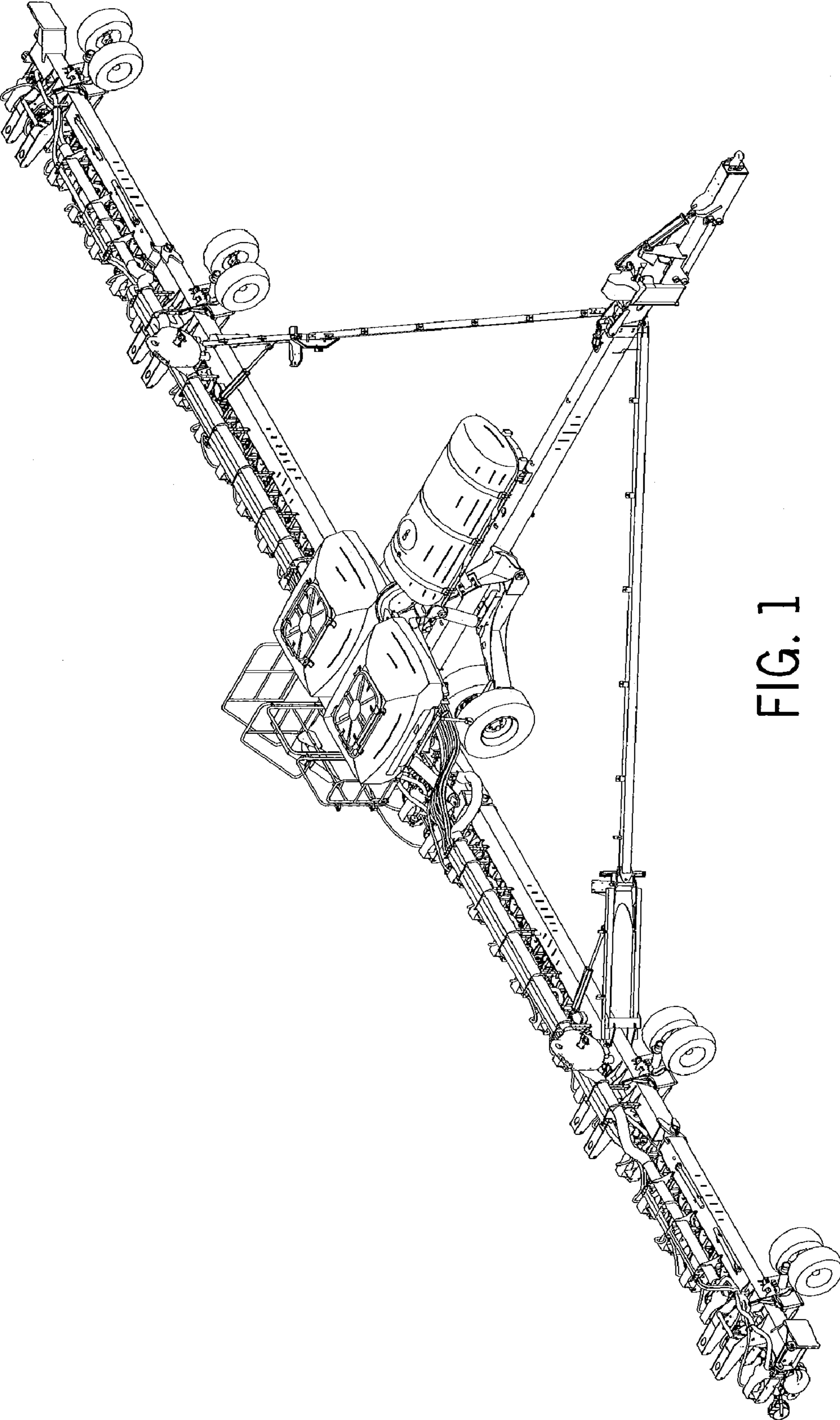


FIG. 1

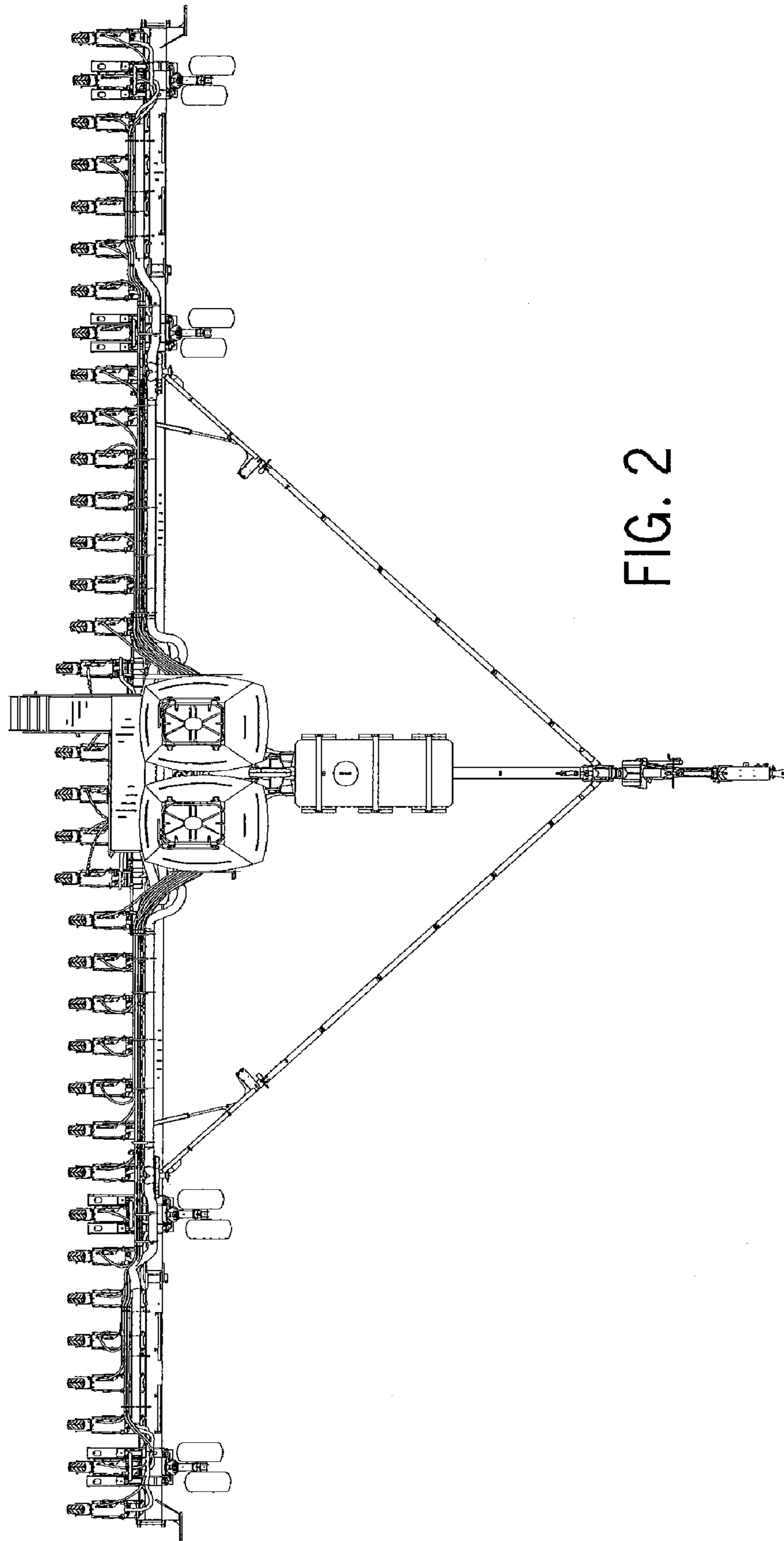


FIG. 2

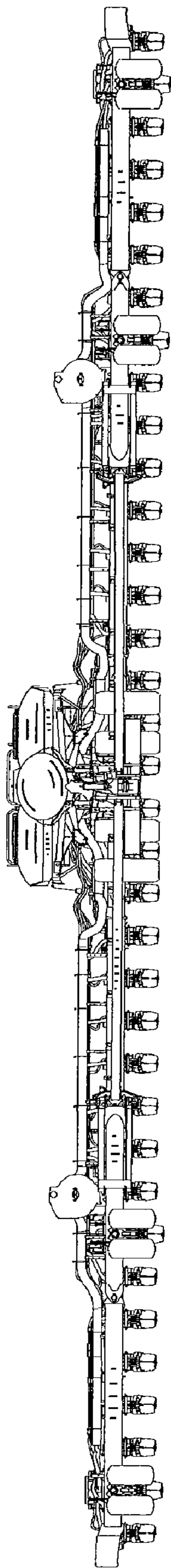


FIG. 3

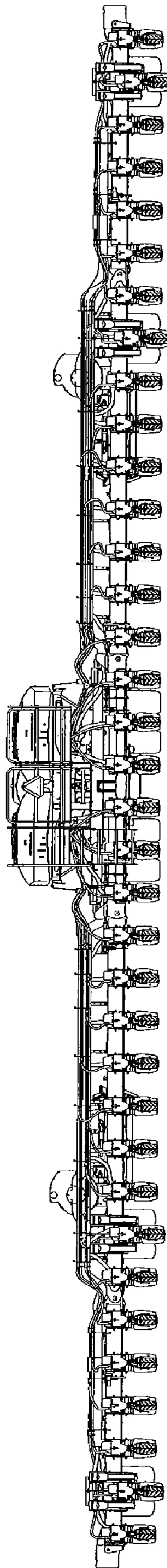


FIG. 4

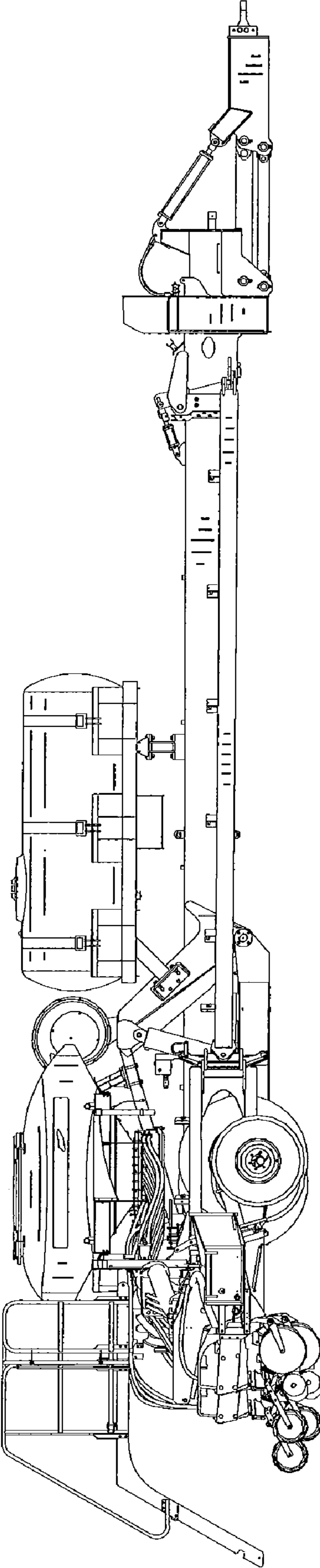


FIG. 5