



US00D629425S

(12) **United States Design Patent**
Morin

(10) **Patent No.:** **US D629,425 S**

(45) **Date of Patent:** **** Dec. 21, 2010**

(54) **PLOW**

(75) Inventor: **Vincent Morin**, Drummondville (CA)

(73) Assignee: **Soucy International Inc.**,
Drummondville, QC (CA)

(**) Term: **14 Years**

(21) Appl. No.: **29/365,668**

(22) Filed: **Jul. 13, 2010**

(51) **LOC (9) Cl.** **15-03**

(52) **U.S. Cl.** **D15/11; D15/32**

(58) **Field of Classification Search** D15/10-12,
D15/23, 25, 28, 32; 37/266, 281, 273, 276,
37/231, 232, 233, 235, 236; 172/811, 815,
172/701.1, 817, 826, 821

See application file for complete search history.

(56) **References Cited**

U.S. PATENT DOCUMENTS

| | | | | | |
|-----------|------|---------|------------------|-------|---------|
| 3,115,715 | A * | 12/1963 | Baldwin | | 37/254 |
| 5,477,600 | A * | 12/1995 | Houle et al. | | 37/279 |
| 5,515,623 | A * | 5/1996 | Weeks | | 37/227 |
| 6,574,890 | B2 * | 6/2003 | Bateman, Jr. | | 37/264 |
| D477,610 | S * | 7/2003 | Matsumoto et al. | | D15/11 |
| D478,097 | S * | 8/2003 | Vennard et al. | | D15/11 |
| 7,134,227 | B2 * | 11/2006 | Quenzi et al. | | 37/274 |
| D534,929 | S * | 1/2007 | Matsumoto et al. | | D15/32 |
| D538,307 | S * | 3/2007 | Matsumoto et al. | | D15/32 |
| 7,191,846 | B2 * | 3/2007 | Matsumoto et al. | | 172/811 |

| | | | | | |
|--------------|------|---------|------------------|-------|---------|
| D570,377 | S * | 6/2008 | Evans et al. | | D15/11 |
| D594,882 | S * | 6/2009 | Schultz | | D15/11 |
| 7,685,748 | B1 * | 3/2010 | Anderson | | 37/266 |
| 7,690,441 | B2 * | 4/2010 | Matsumoto et al. | | 172/811 |
| 2003/0182824 | A1 * | 10/2003 | Coffin et al. | | 37/266 |
| 2006/0107555 | A1 * | 5/2006 | Curtis | | 37/232 |

* cited by examiner

Primary Examiner—Mark A Goodwin

(74) *Attorney, Agent, or Firm*—Robert Brouillette; Francois Cartier; Brouillette & Partners

(57) **CLAIM**

The ornamental design for a plow, as shown and described.

DESCRIPTION

FIG. 1 is a front isometric view of the plow showing my new design;

FIG. 2 is a rear isometric view of the plow;

FIG. 3 is a front view of the plow;

FIG. 4 is a rear view of the plow;

FIG. 5 is a left side view of the plow;

FIG. 6 is a right side view of the plow;

FIG. 7 is a top view of the plow; and,

FIG. 8 is a bottom view of the plow.

The elements and structures shown in dotted lines are shown for illustration purposes only and do not form part of the design.

1 Claim, 8 Drawing Sheets

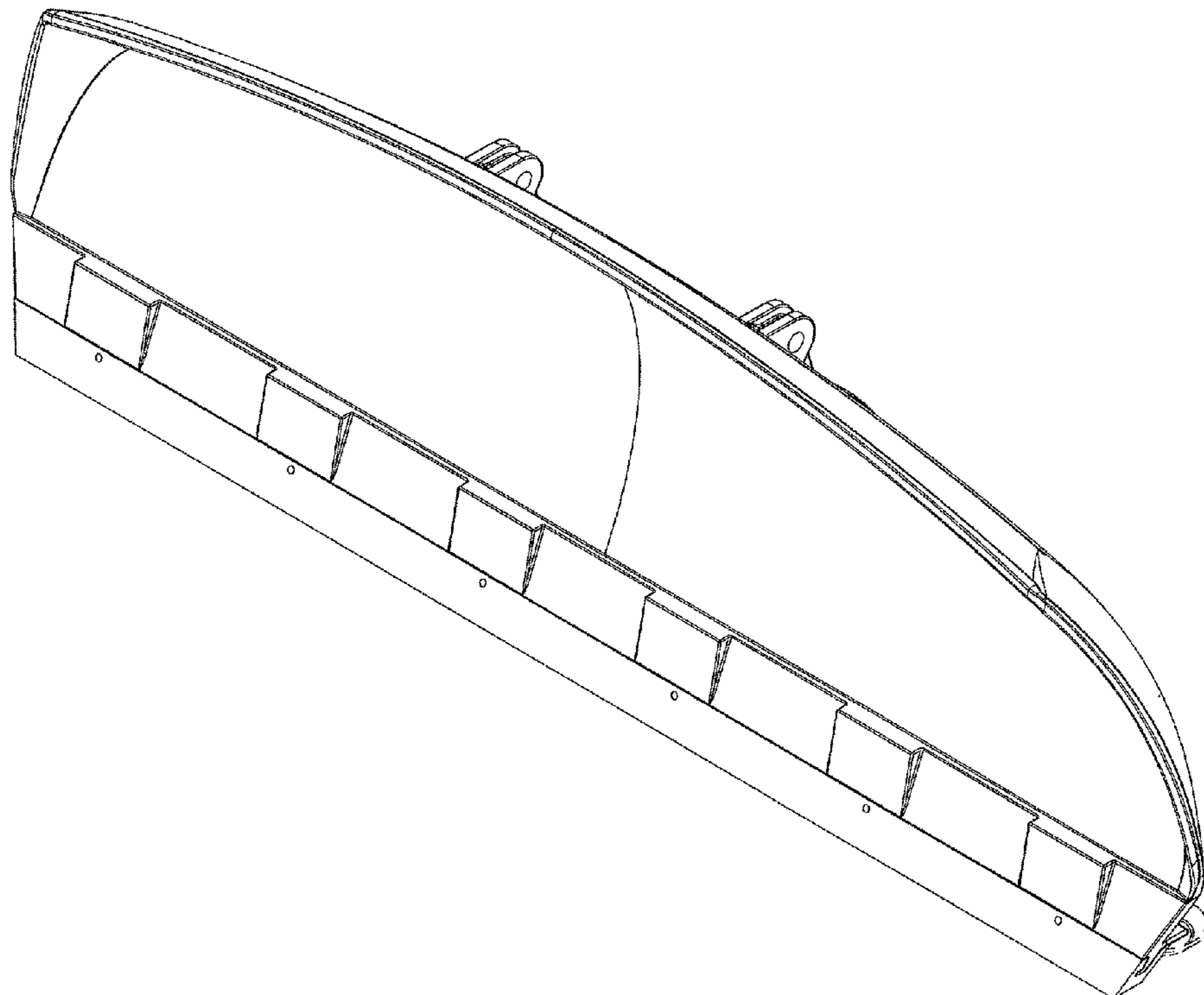


FIG. 1

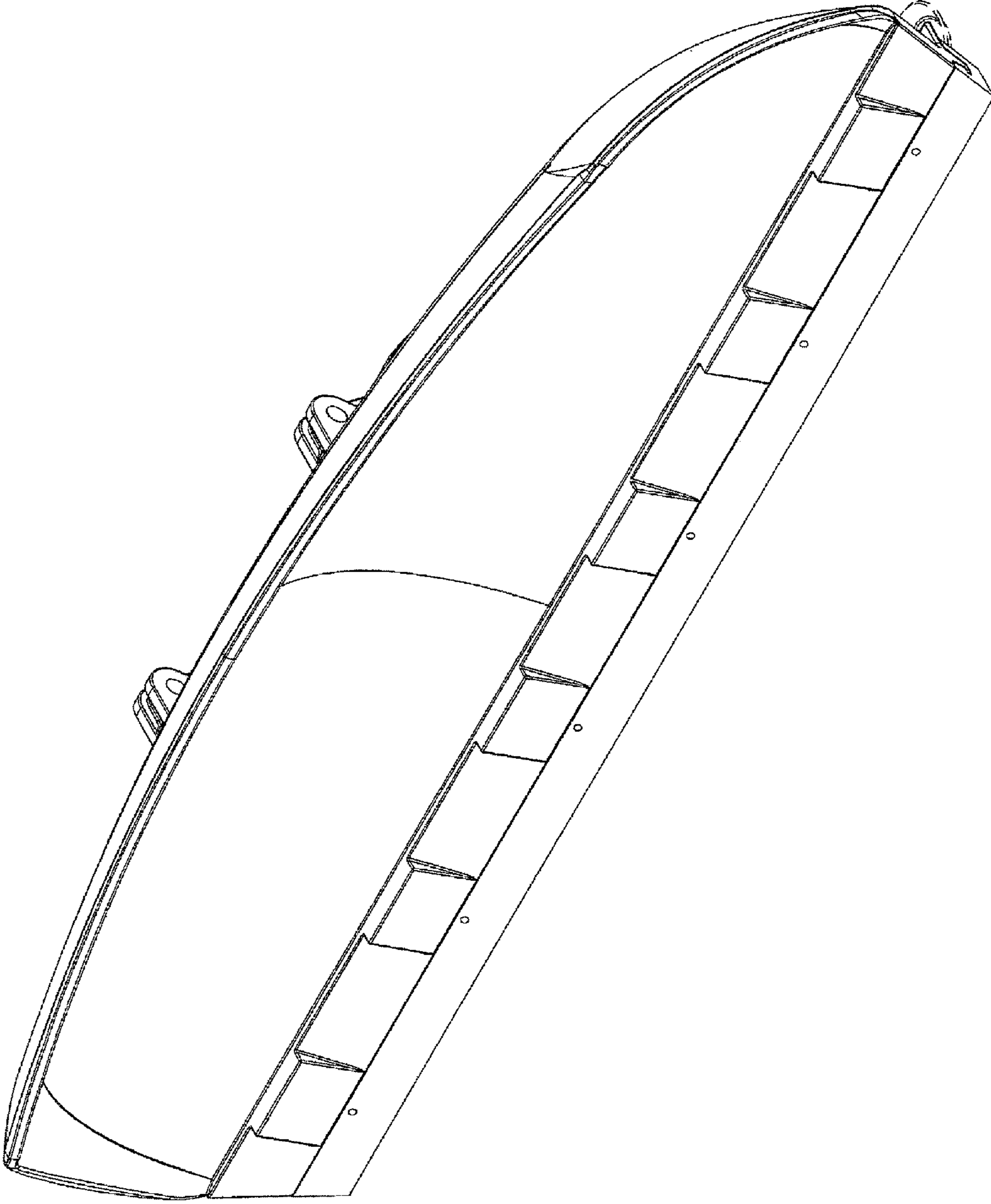


FIG. 2

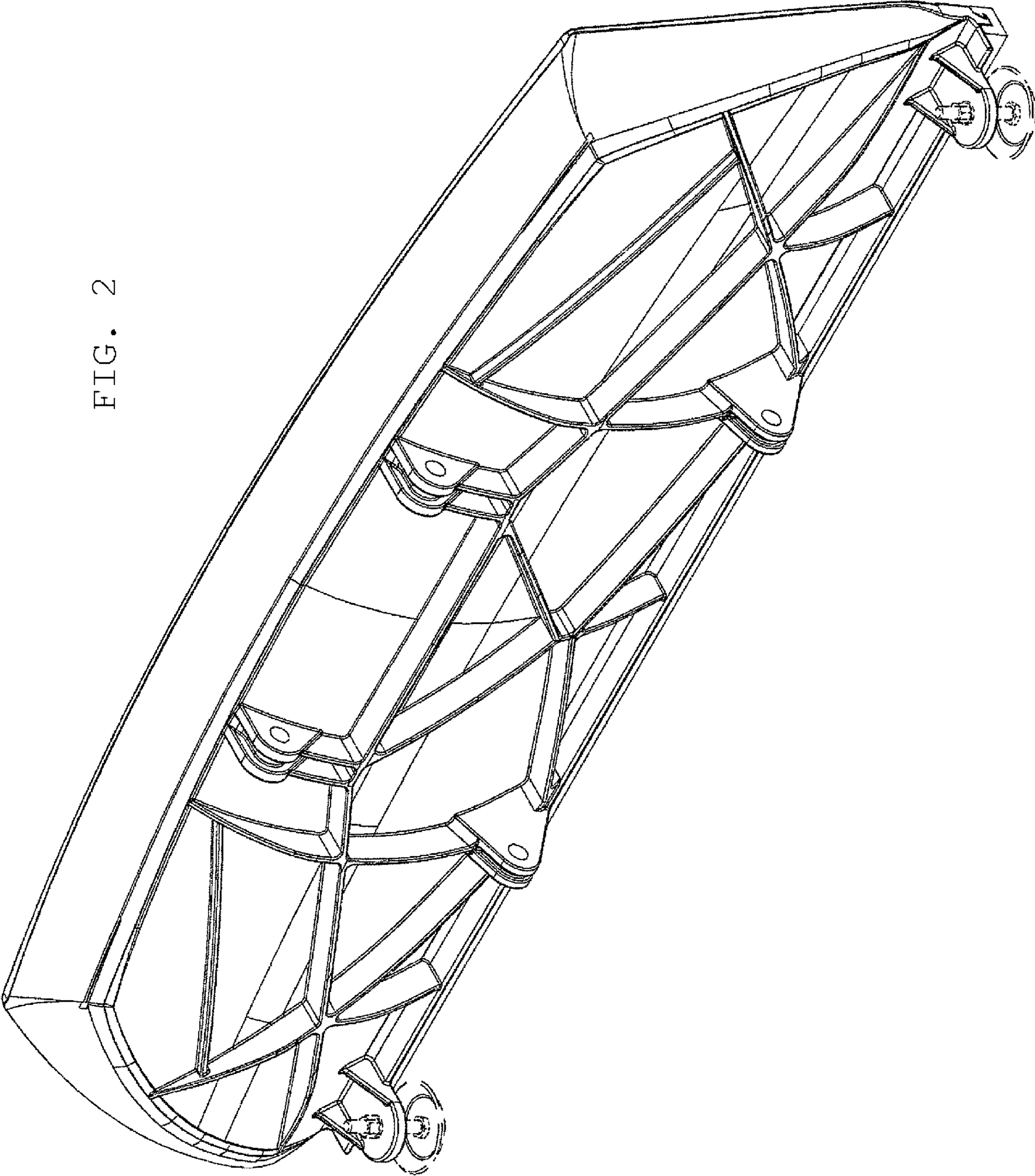


FIG. 3

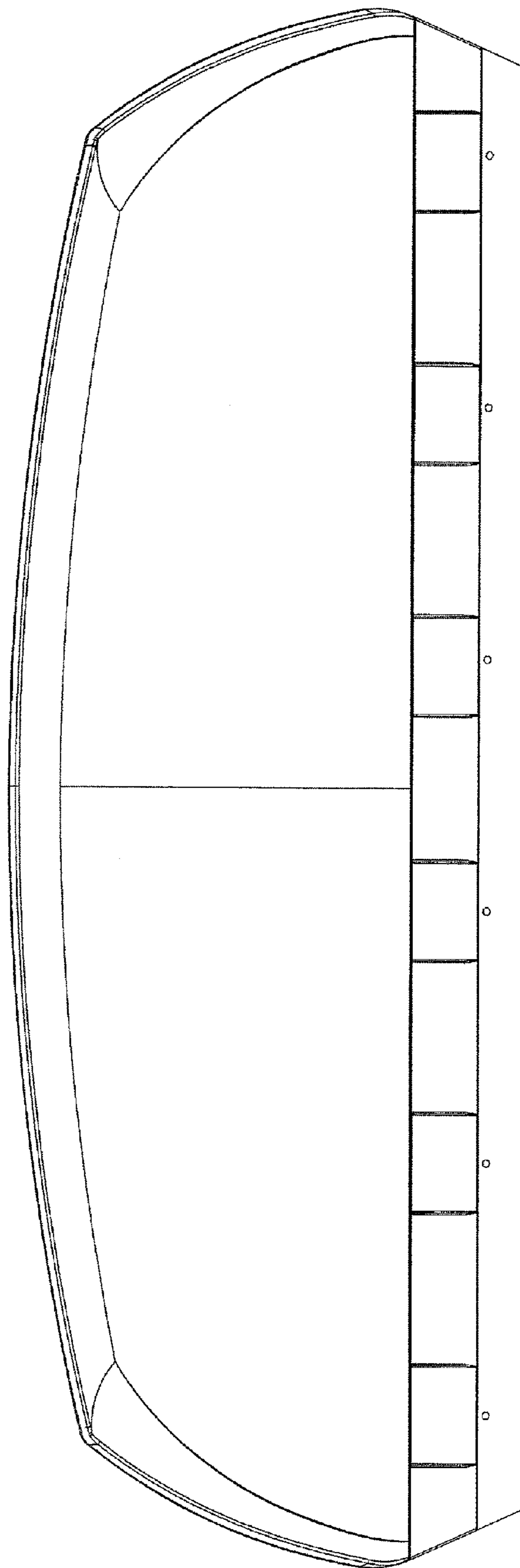
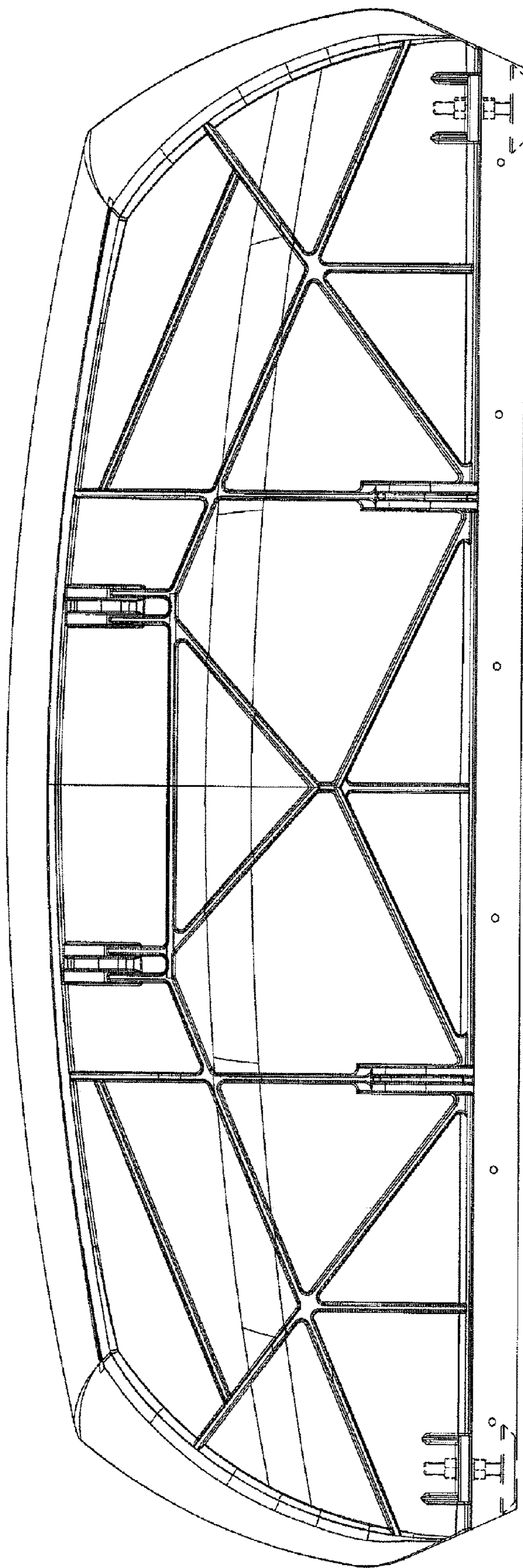


FIG. 4



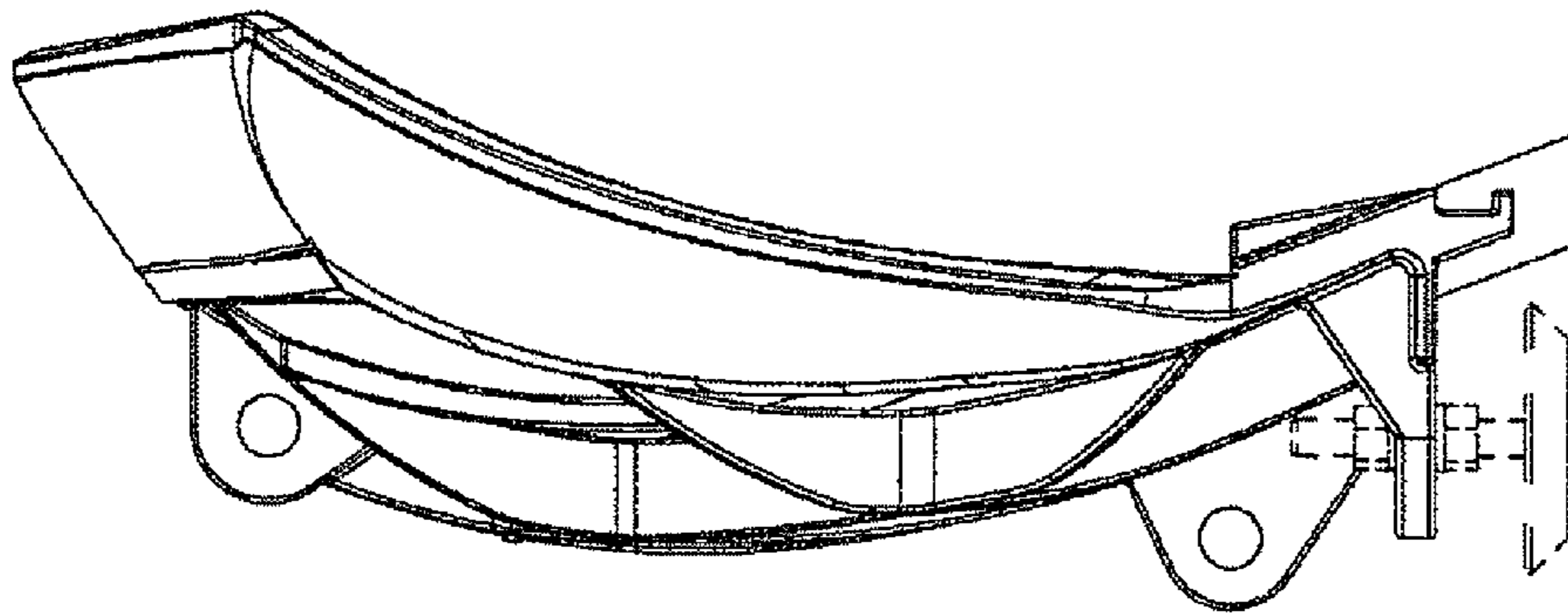


FIG. 5

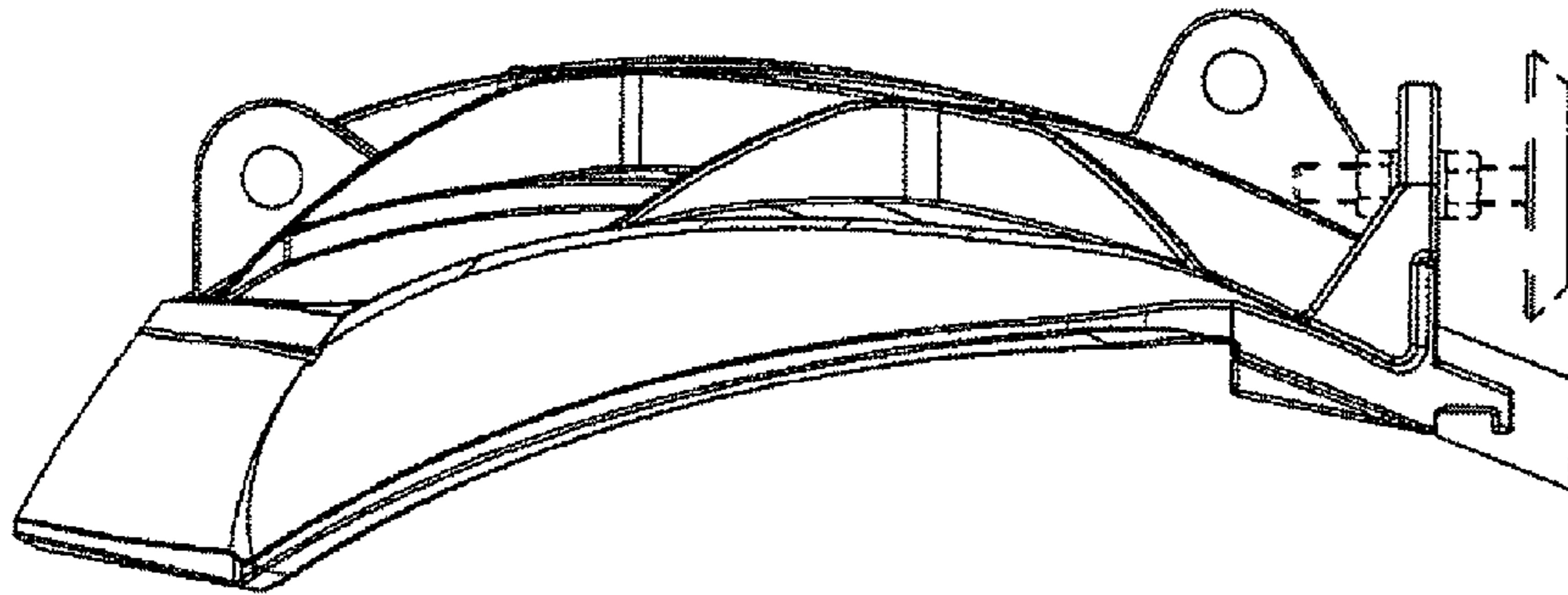


FIG. 6

FIG. 7

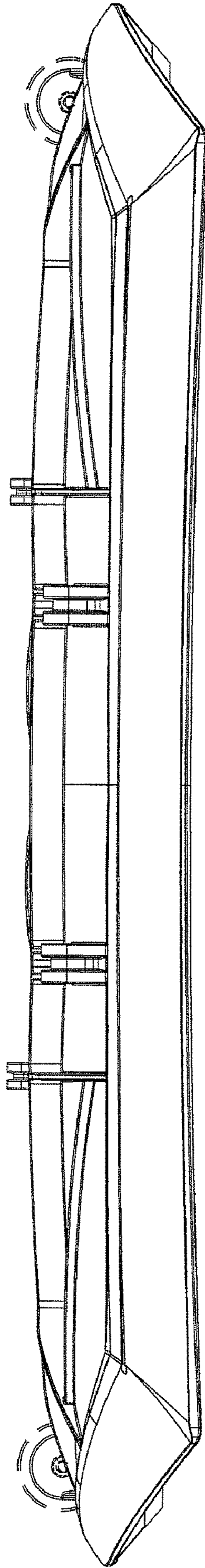


FIG. 8

