



US00D629423S

(12) **United States Design Patent**  
**Varini**

(10) **Patent No.:** **US D629,423 S**  
(45) **Date of Patent:** **\*\* Dec. 21, 2010**

(54) **PUMP FOR LIQUIDS**

(75) Inventor: **Otto Varini**, Suzzara (IT)

(73) Assignee: **Piusi S.p.A.**, Suzzara (IT)

(\*\*) Term: **14 Years**

(21) Appl. No.: **29/347,173**

(22) Filed: **Oct. 15, 2009**

(30) **Foreign Application Priority Data**

May 11, 2009 (EM) ..... 001136394

(51) **LOC (9) Cl.** ..... **15-02**

(52) **U.S. Cl.** ..... **D15/7**

(58) **Field of Classification Search** ..... D15/7-9;  
D23/231, 232, 225; 417/410.1, 359, 415-416,  
417/234, 321, 265, 405

See application file for complete search history.

(56) **References Cited**

**U.S. PATENT DOCUMENTS**

- D339,810 S \* 9/1993 Hansen ..... D15/7
- D419,567 S \* 1/2000 Weiss ..... D15/7
- D447,148 S \* 8/2001 Antony et al. .... D15/7
- D516,583 S \* 3/2006 Strong ..... D15/7
- D590,842 S \* 4/2009 Clark et al. .... D15/7
- D603,870 S \* 11/2009 Mehnert et al. .... D15/7

D604,745 S \* 11/2009 Sinico ..... D15/7

\* cited by examiner

*Primary Examiner*—Ralf Seifert

(74) *Attorney, Agent, or Firm*—Modiano & Associati; Daniel O’Byrne; Albert Josif

(57) **CLAIM**

The ornamental design for the “pump for liquids,” as shown and described.

**DESCRIPTION**

FIG. 1 is a perspective view of the pump for liquids;

FIG. 2 is a front elevation view thereof;

FIG. 3 is a rear elevation view thereof;

FIG. 4 is a left side elevation view thereof;

FIG. 5 is a right side elevation view thereof;

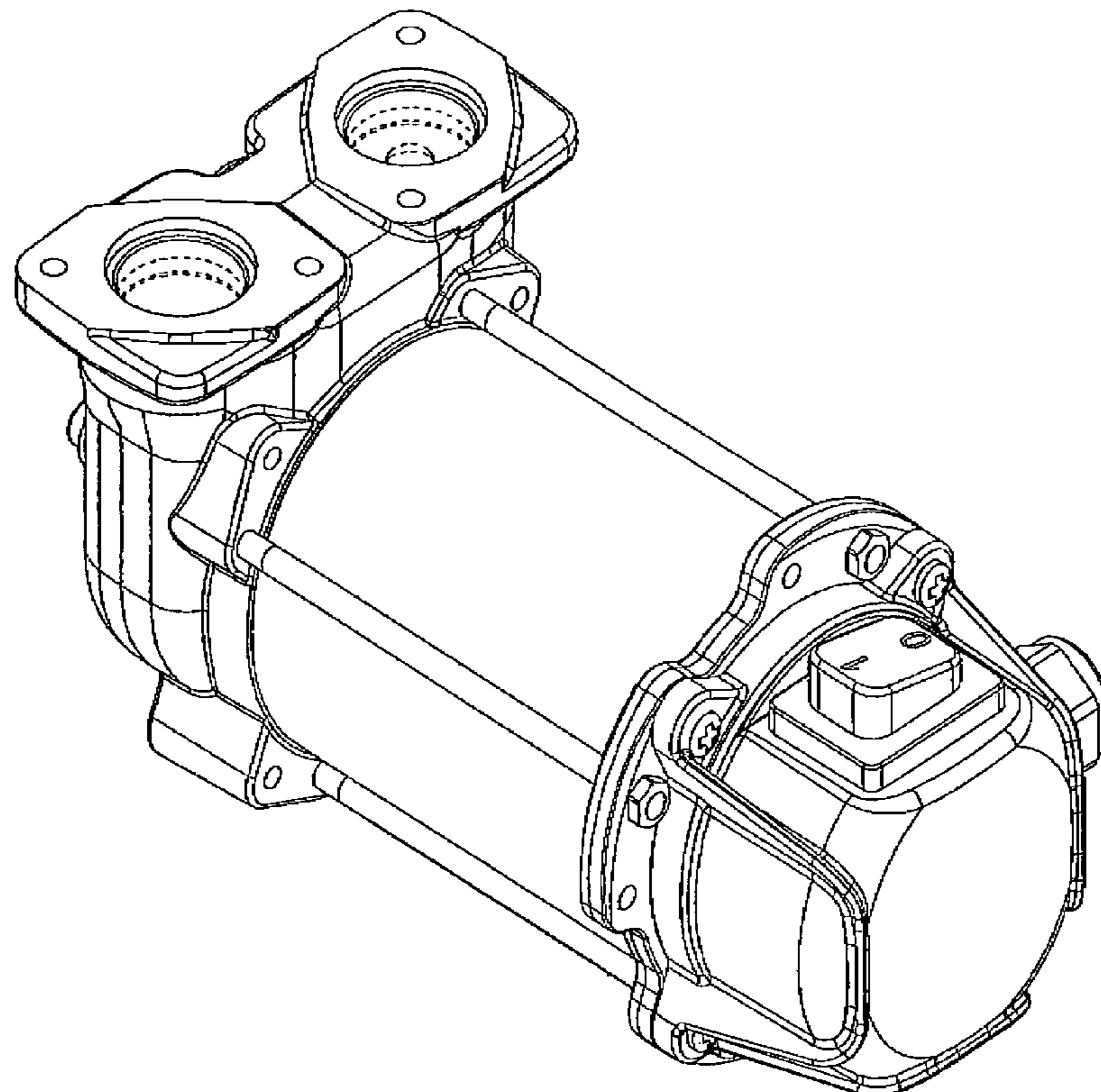
FIG. 6 is a plan view thereof, taken from above; and,

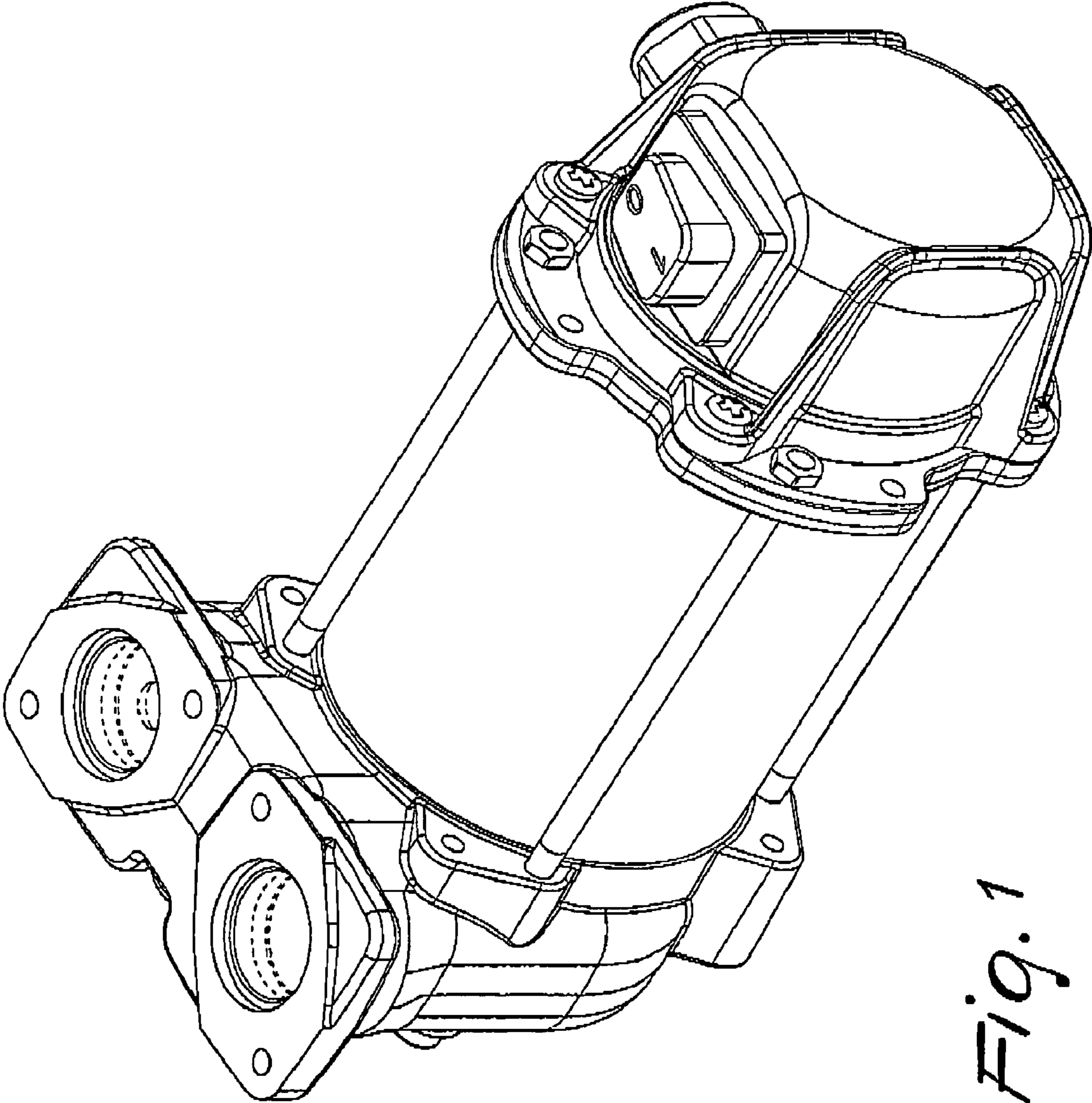
FIG. 7 is a plan view thereof, taken from below.

The broken lines are included for the purpose of illustrating a portion of the pump for liquids that forms no part of the claimed design.

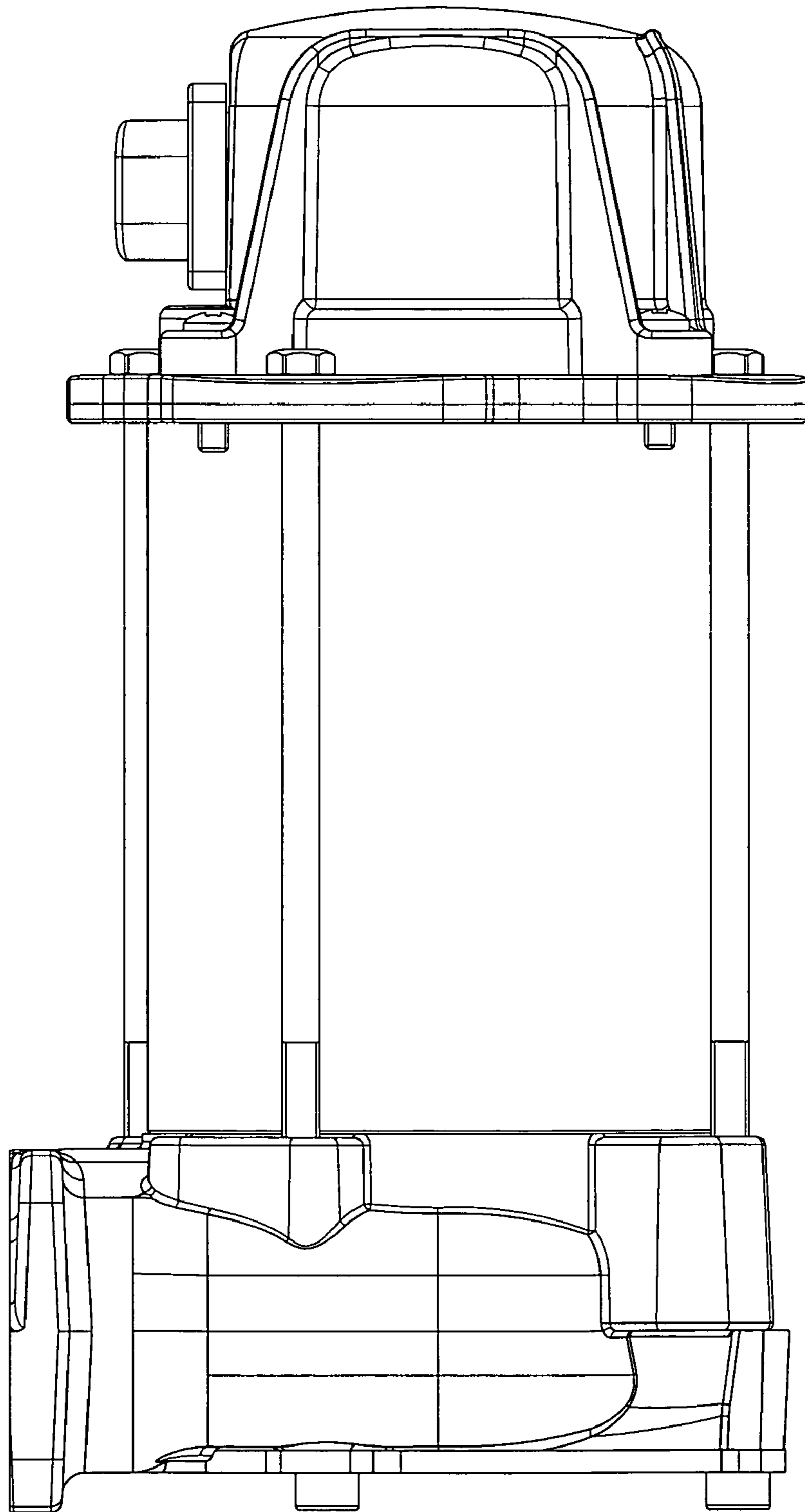
The design relates to a pump for liquids with a cylindrical body connected, at the ends thereof, to a connecting element and to a terminal board.

**1 Claim, 6 Drawing Sheets**

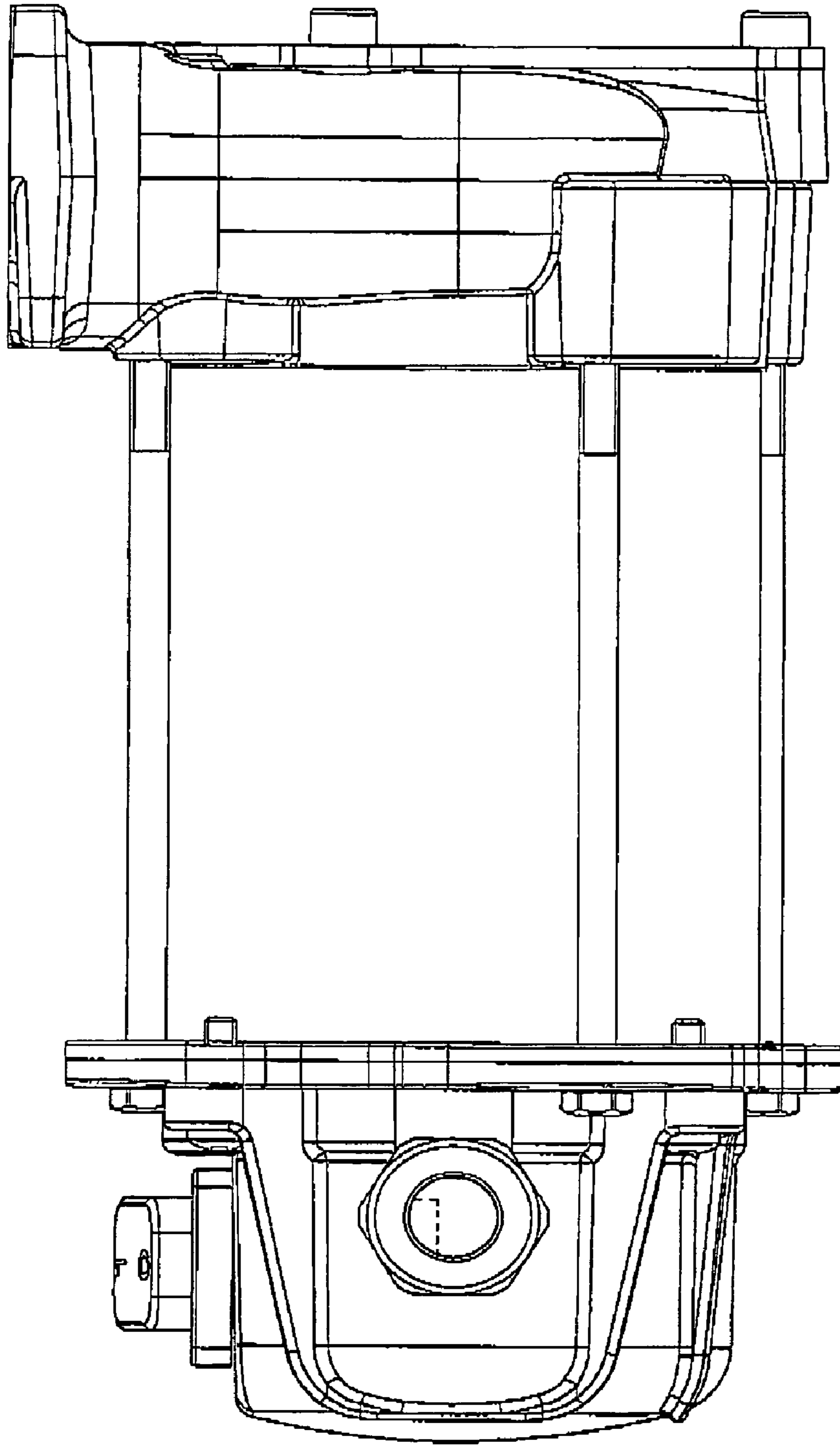




*Fig. 1*

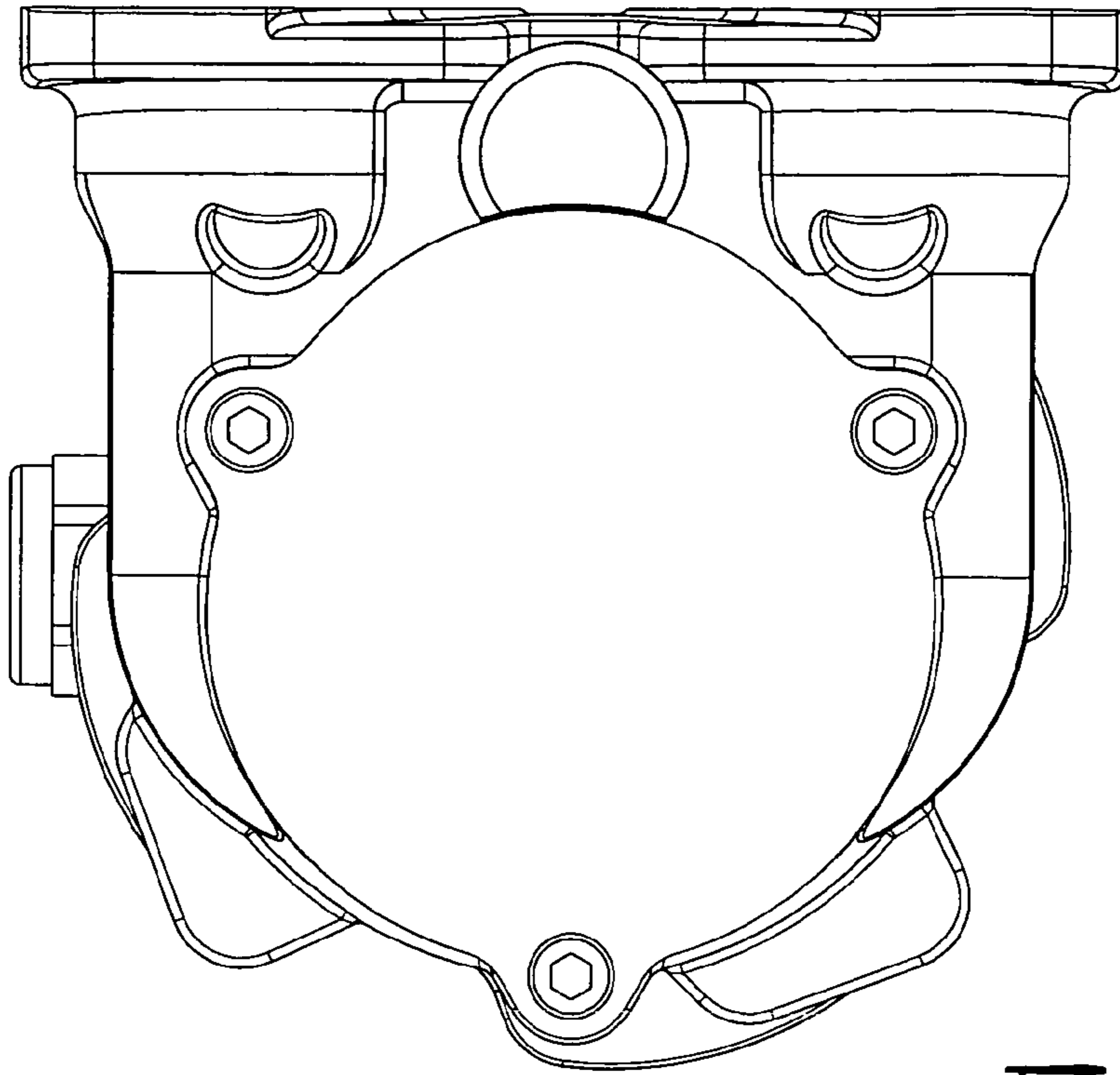


*Fig. 2*

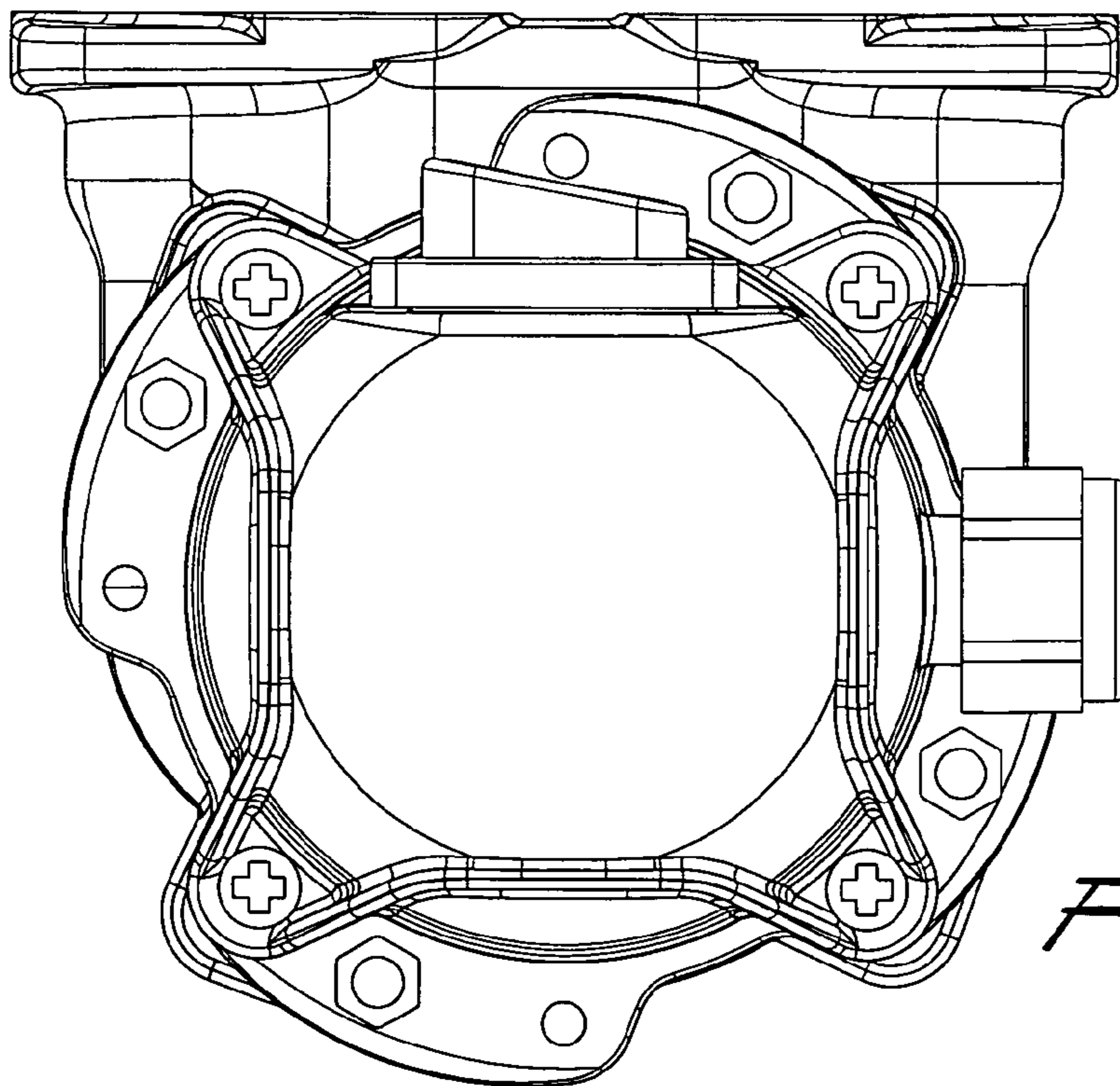


*Fig. 3*

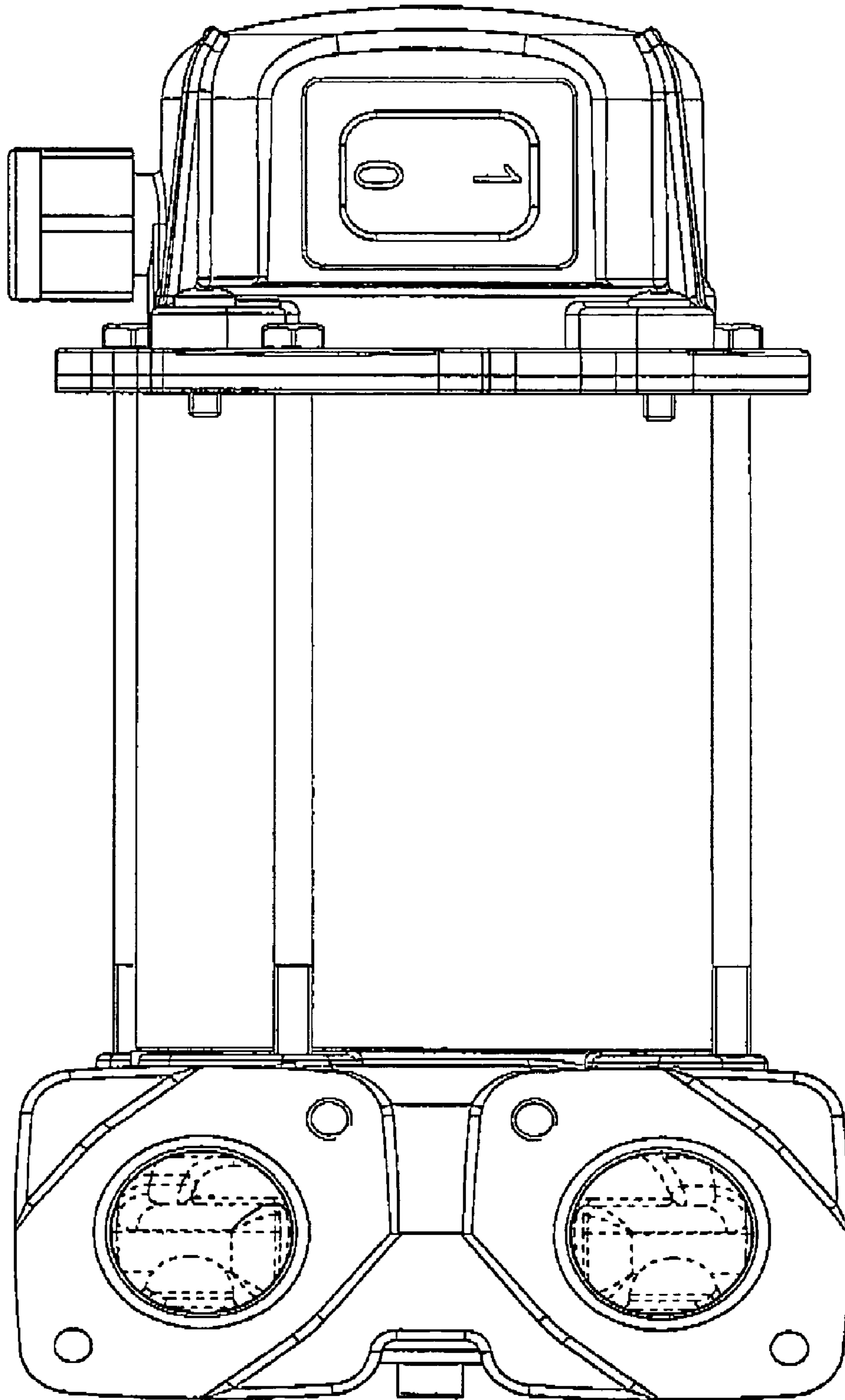




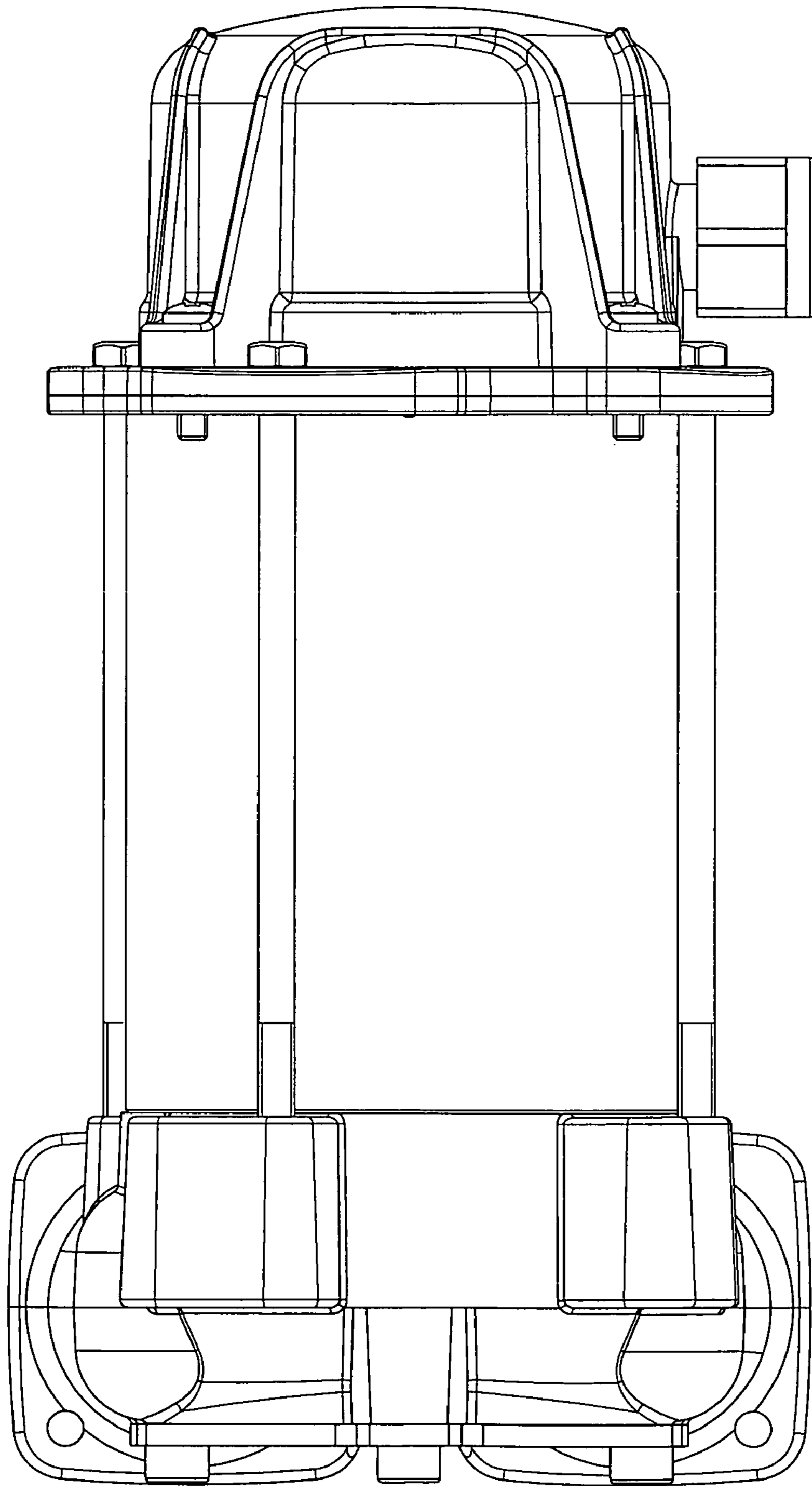
*Fig. 4*



*Fig. 5*



*Fig. 6*



*Fig. 7*