



US00D629421S

(12) **United States Design Patent**
Dai

(10) **Patent No.:** **US D629,421 S**

(45) **Date of Patent:** **** Dec. 21, 2010**

(54) **INTERNAL-COMBUSTION ENGINE**

D581,945 S * 12/2008 Che et al. D15/3
D591,767 S * 5/2009 Lee D15/1
D603,425 S * 11/2009 Che et al. D15/1

(75) Inventor: **Ruiyi Dai**, Chongqing (CN)

(73) Assignee: **Loncin Industry Co., Ltd.**, Chongqing (CN)

* cited by examiner

Primary Examiner—Cathron C. Brooks

Assistant Examiner—Maurice Stevens

(74) *Attorney, Agent, or Firm*—Sawyer Law Group, P.C.

(**) Term: **14 Years**

(21) Appl. No.: **29/342,764**

(57) **CLAIM**

(22) Filed: **Aug. 31, 2009**

The ornamental design for an internal-combustion engine, as shown and described.

(51) **LOC (9) Cl.** **15-01**

(52) **U.S. Cl.** **D15/1**

(58) **Field of Classification Search** D15/1,
D15/3, 5, 14-17; 74/606 R; 123/41.66,
123/41.67, 41.7, 50 A, 50 B, 50 R, 51 A,
123/51 R, 195 C, 198 E, 306, 308, 657, 661,
123/667

DESCRIPTION

See application file for complete search history.

FIG. 1 is a side perspective view of the internal-combustion engine.

FIG. 2 is a left side view of the internal-combustion engine.

FIG. 3 is a right side view of the internal-combustion engine.

FIG. 4 is a rear view of the internal-combustion engine.

FIG. 5 is a front view of the internal-combustion engine; and,

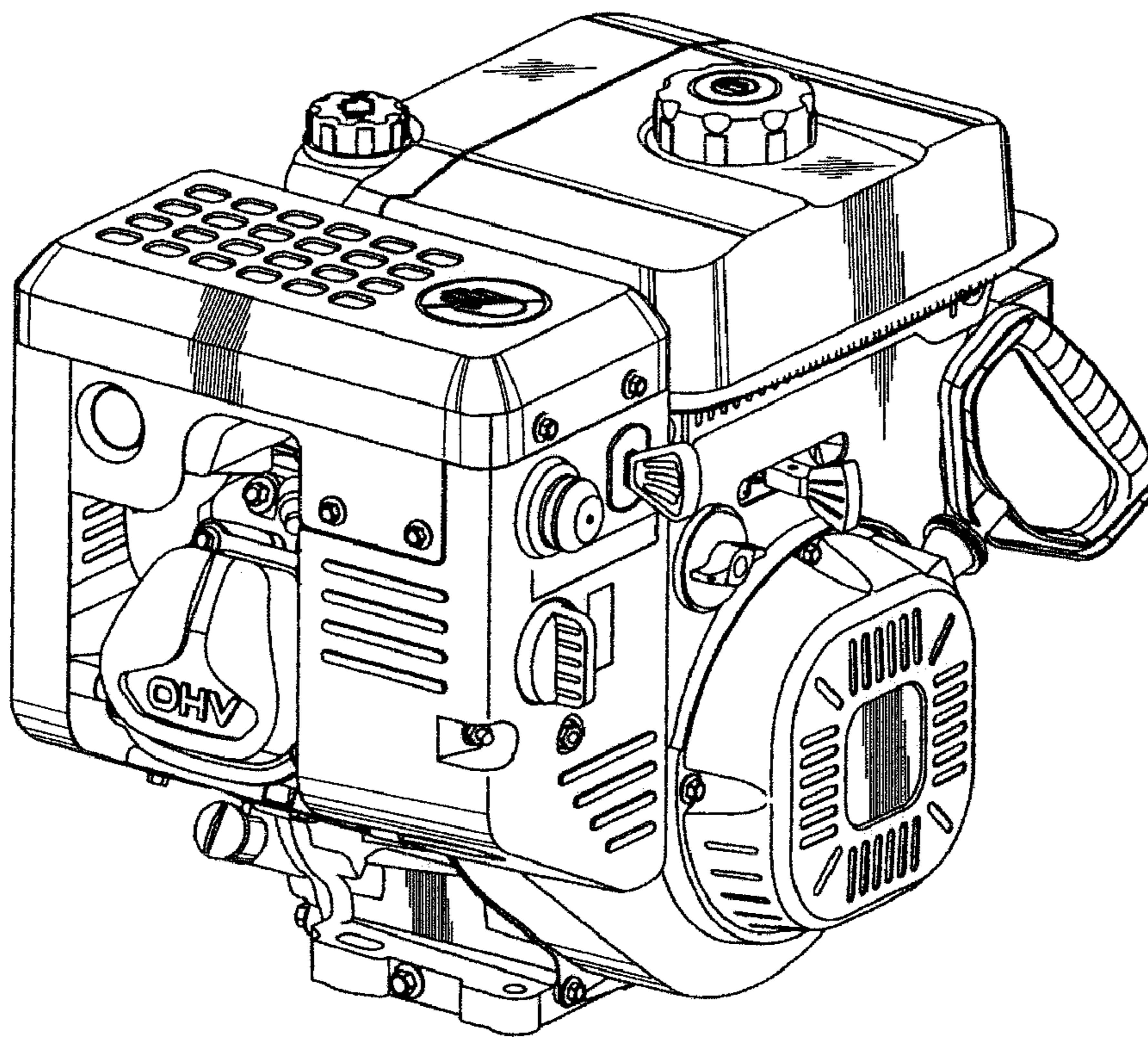
FIG. 6 is a bottom view of the internal-combustion engine.

(56) **References Cited**

U.S. PATENT DOCUMENTS

D506,760 S * 6/2005 Lin et al. D15/1
D556,778 S * 12/2007 Yoshimatsu et al. D15/3

1 Claim, 6 Drawing Sheets



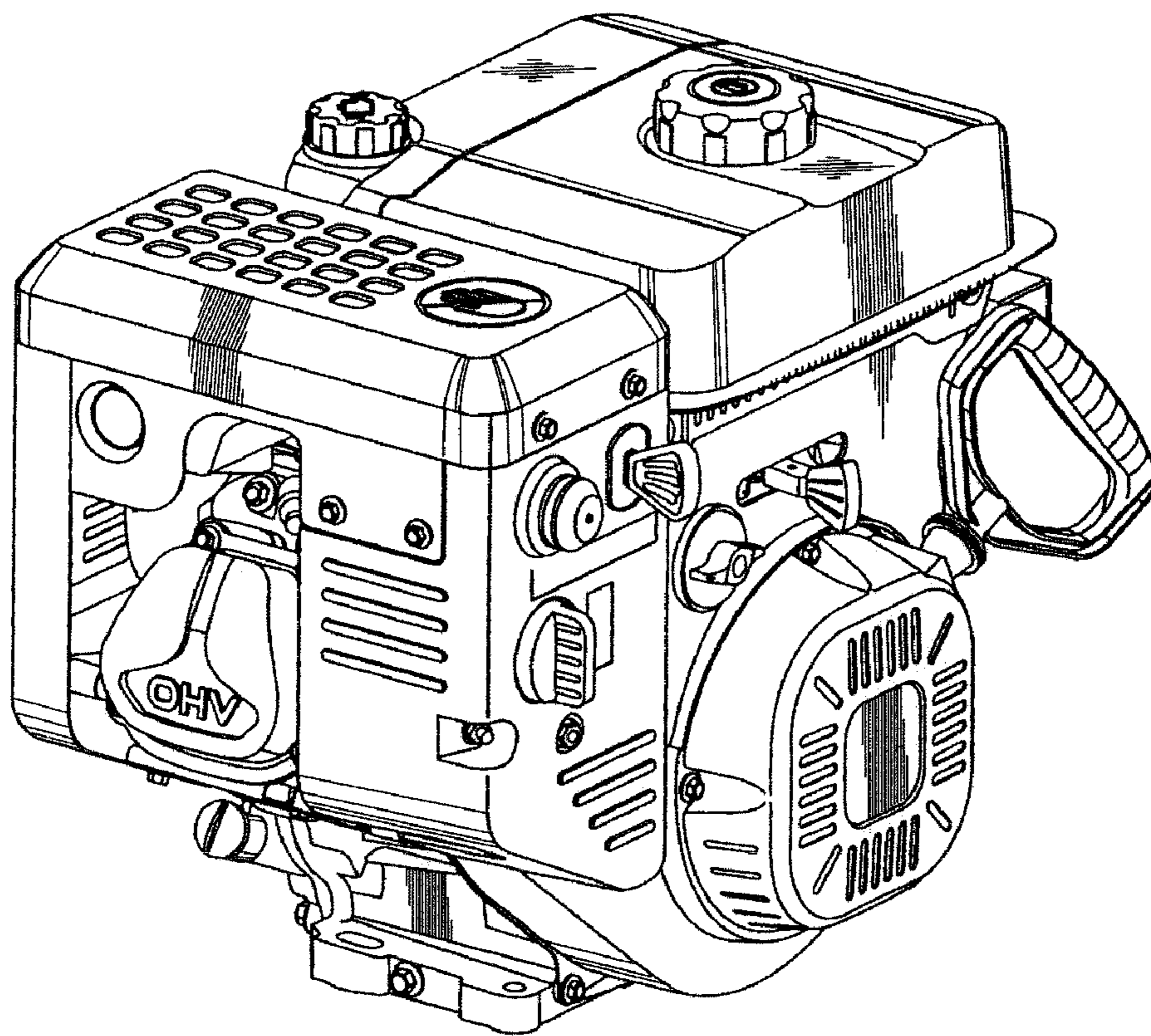


FIGURE 1

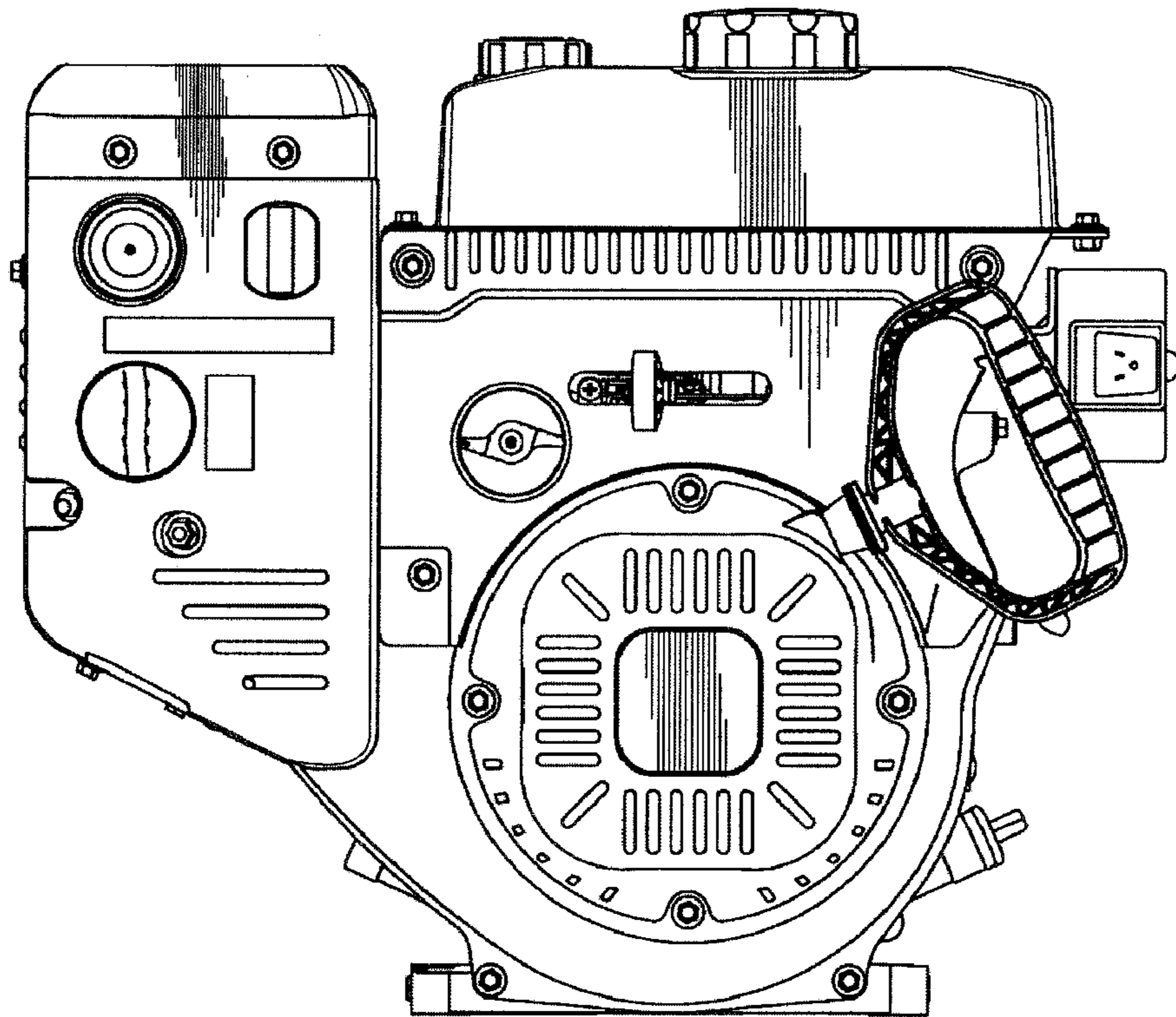


FIGURE 2

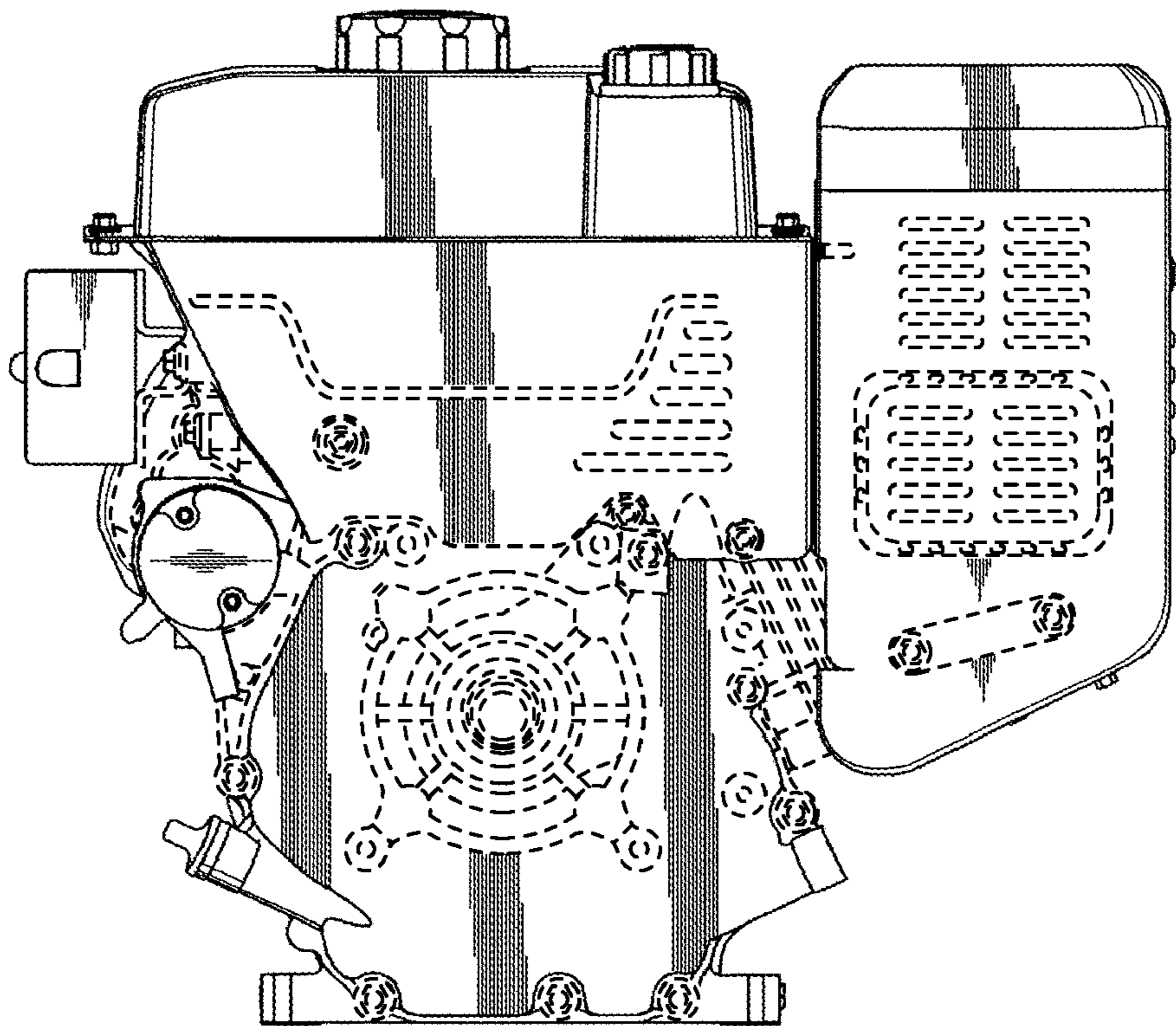


FIGURE 3

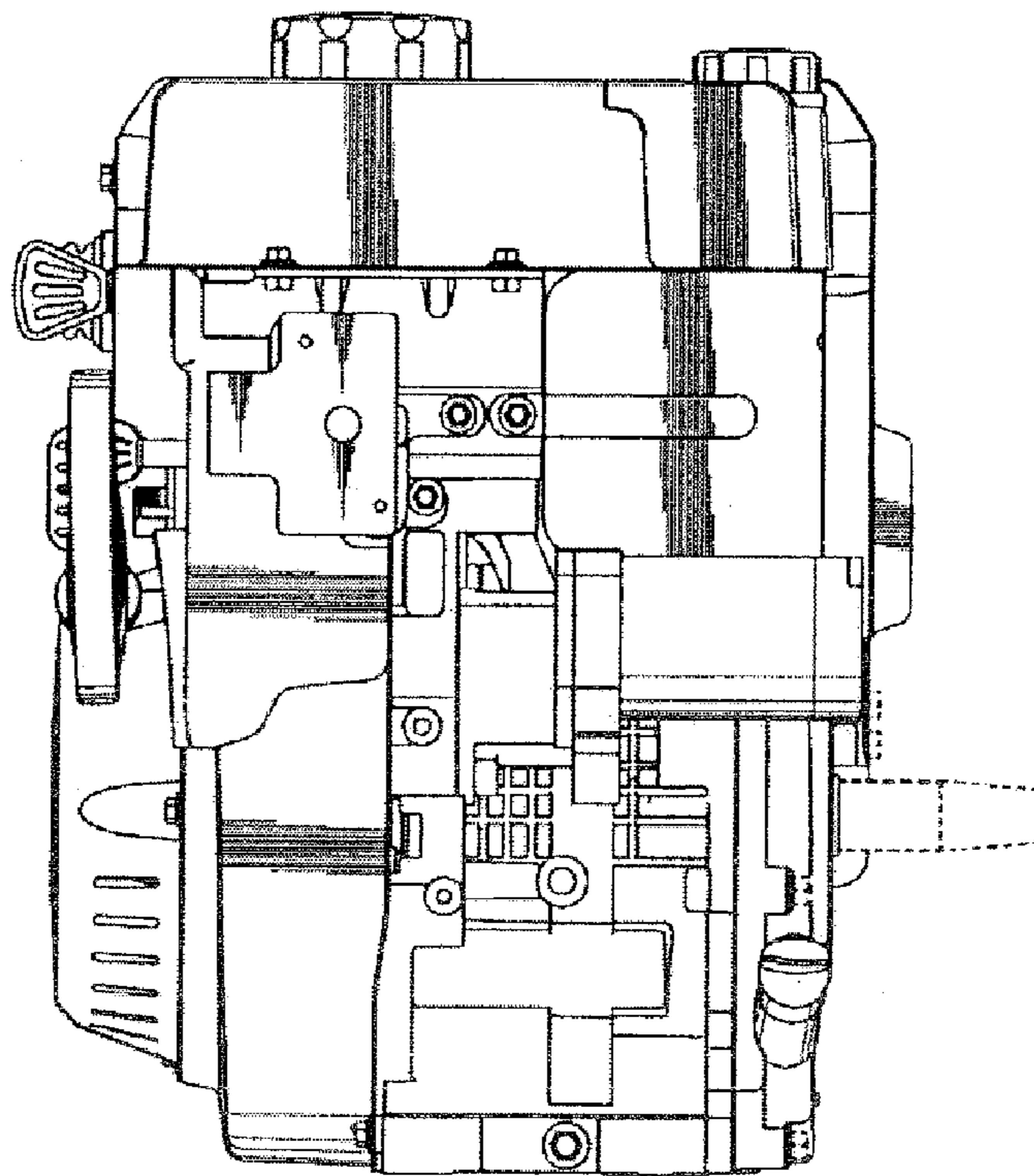


FIGURE 4

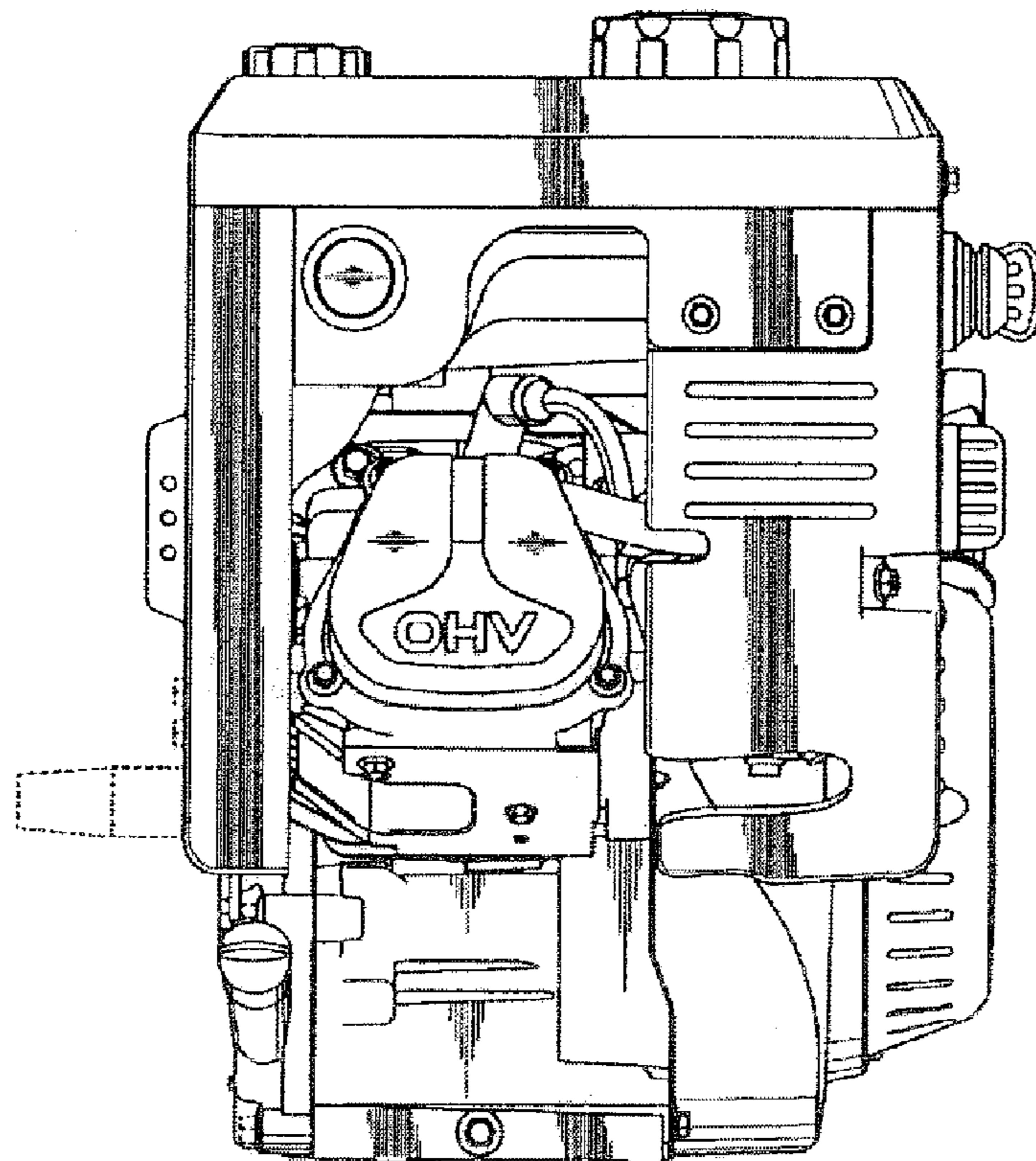


FIGURE 5

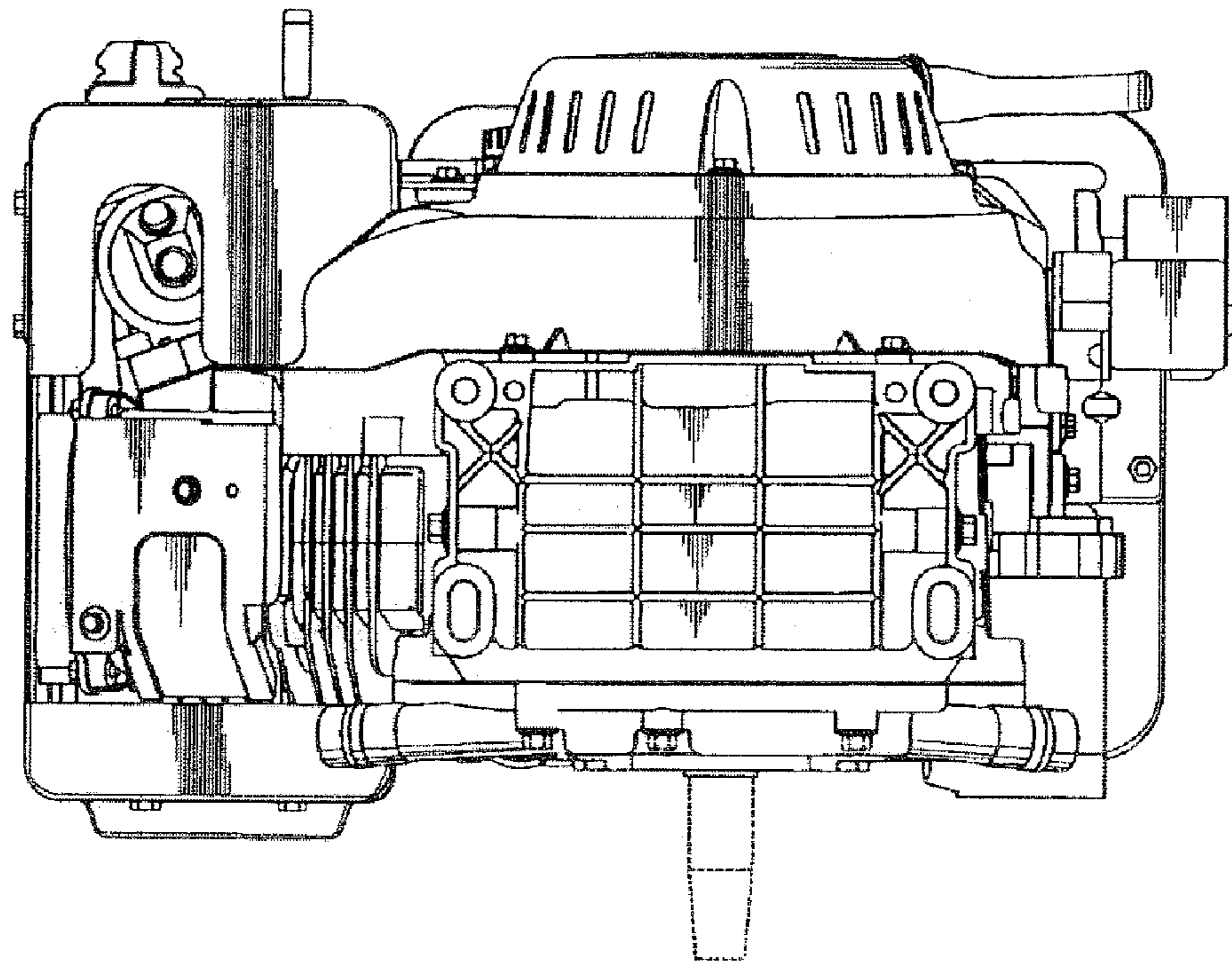


FIGURE 6