



US00D629410S

(12) **United States Design Patent**  
**Ray et al.**

(10) **Patent No.:** **US D629,410 S**  
(45) **Date of Patent:** **\*\* Dec. 21, 2010**

(54) **DISPLAY SCREEN WITH USER INTERFACE**

6,598,219 B1 7/2003 Lau  
D496,337 S 9/2004 Kaizu et al.

(75) Inventors: **Beth A. Ray**, Oak Creek, WI (US);  
**Jonathan T. Moroney**, Grand Haven,  
MI (US); **Sang Hoon Chung**, Holland,  
MI (US); **Dimitrios S. Papadopoulos**,  
Montvale, NJ (US); **Joseph M. Mueller**,  
Hales Corners, WI (US)

(Continued)

**FOREIGN PATENT DOCUMENTS**

(73) Assignee: **Johnson Controls Technology  
Company**, Holland, MI (US)

EM 000765367-0001-0006 3/2007

(\*\*) Term: **14 Years**

(Continued)

(21) Appl. No.: **29/345,220**

**OTHER PUBLICATIONS**

(22) Filed: **Oct. 12, 2009**

FR-H1/T1 Room Sensor for Humidity and Temperature, Siemens  
Building Technologies, Landis & Staefa Division, © Nov. 1998  
Siemens Building Technologies Ltd., CA1N1856E, 5 pages.

(51) **LOC (9) Cl.** ..... **32-00**

(52) **U.S. Cl.** ..... **D14/485**; D14/489

(58) **Field of Classification Search** ..... D14/485-495;  
715/700-867

(Continued)

See application file for complete search history.

*Primary Examiner*—Cathron C Brooks  
*Assistant Examiner*—Deanna Fluegeman  
(74) *Attorney, Agent, or Firm*—Foley & Lardner LLP

(56) **References Cited**

**U.S. PATENT DOCUMENTS**

- D346,978 S 5/1994 Giese et al.
- D394,220 S 5/1998 Morrow et al.
- 5,926,179 A 7/1999 Matsuda et al.
- D421,966 S 3/2000 Allen et al.
- D445,426 S \* 7/2001 Wang et al. .... D14/486
- D446,790 S \* 8/2001 Wang et al. .... D14/486
- D451,101 S 11/2001 Tyburski
- D451,928 S 12/2001 Van Huong
- 6,348,935 B1 2/2002 Malacinski et al.
- D454,138 S \* 3/2002 Imamura et al. .... D14/486
- D454,139 S 3/2002 Feldcamp
- D455,435 S 4/2002 Cassano et al.
- D455,436 S 4/2002 Cassano et al.
- 6,373,505 B1 4/2002 Bellamy et al.
- D463,443 S \* 9/2002 Van Huong ..... D14/485
- D473,236 S 4/2003 Robbin et al.
- D475,062 S 5/2003 Horie
- D475,063 S 5/2003 Horie
- D477,828 S 7/2003 Ferguson et al.

(57) **CLAIM**

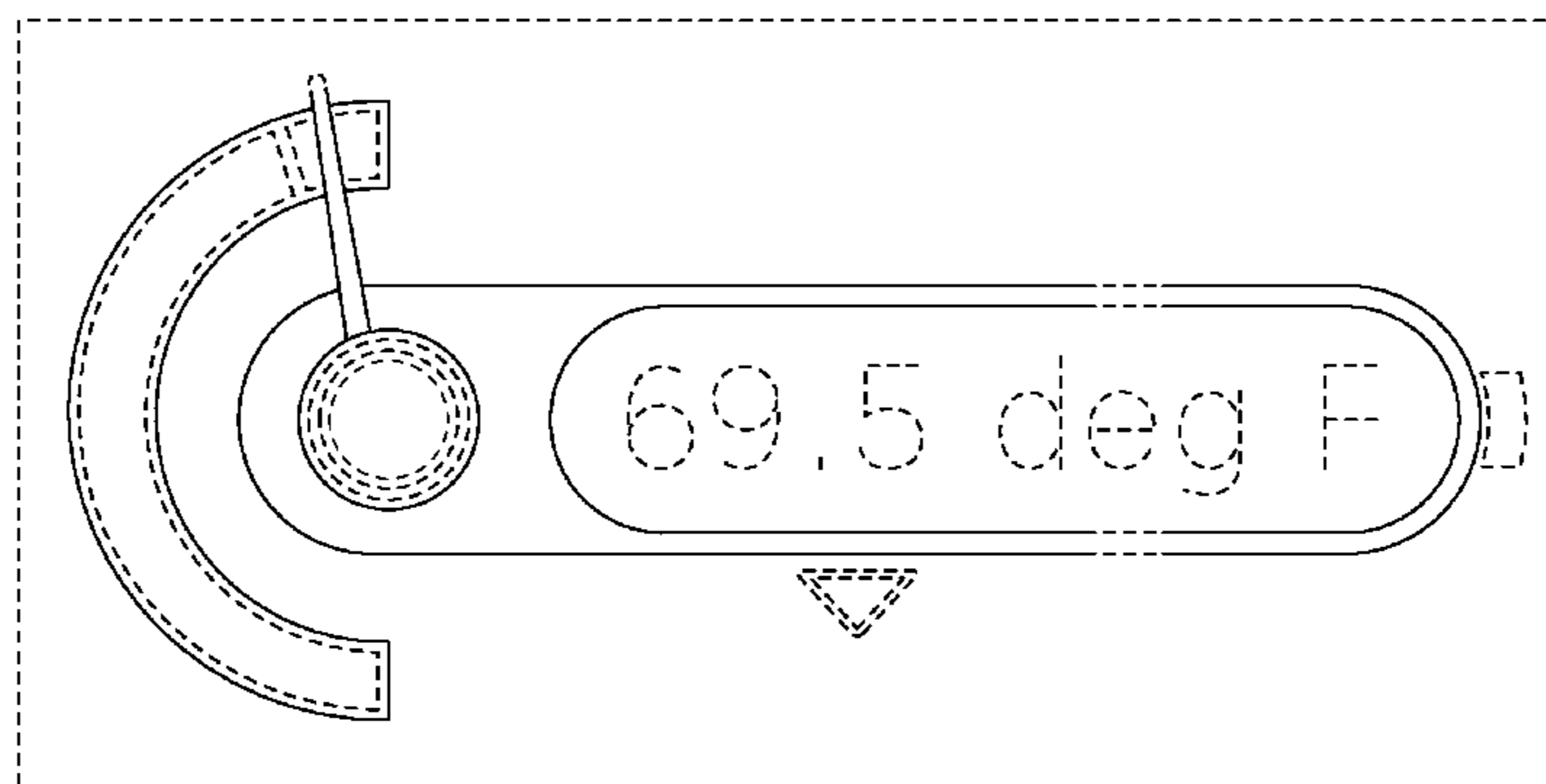
We claim the ornamental design for a display screen with user interface, as shown and described.

**DESCRIPTION**

The single FIGURE is a front view of the display screen with user interface of my new design.

The ornamental design which is claimed is shown in solid lines in the drawings. The broken line showing of the display screen and of the portions of the user interface illustrate unclaimed environment and form no part of the claimed design.

**1 Claim, 1 Drawing Sheet**



# US D629,410 S

Page 2

## U.S. PATENT DOCUMENTS

6,857,106 B1 2/2005 Brouaux  
D504,440 S 4/2005 Luquet  
6,943,813 B2 9/2005 Haitani et al.  
D522,524 S 6/2006 Rovinsky et al.  
D523,440 S 6/2006 Hernandez et al.  
D526,654 S 8/2006 McDougall et al.  
D527,011 S 8/2006 Bixler  
7,086,008 B2 8/2006 Capps et al.  
D527,735 S 9/2006 McDougall et al.  
D527,736 S 9/2006 McDougall et al.  
D528,021 S 9/2006 Hedderich et al.  
D528,122 S 9/2006 Cummins et al.  
7,114,126 B2 9/2006 Berger et al.  
D532,874 S 11/2006 Hoernig  
D533,147 S 12/2006 Chiu et al.  
D535,997 S 1/2007 Cummins et al.  
D544,496 S \* 6/2007 Evans et al. .... D14/489  
D546,337 S 7/2007 Wood et al.  
D548,743 S 8/2007 Takahashi et al.  
D549,721 S \* 8/2007 Ito et al. .... D14/488  
D549,722 S \* 8/2007 Ito et al. .... D14/488  
D550,688 S 9/2007 Cummins et al.  
D553,145 S 10/2007 Kim  
D553,147 S 10/2007 Hally et al.  
D555,164 S \* 11/2007 Sergio ..... D14/486  
D556,610 S 12/2007 Kautz et al.  
D556,611 S 12/2007 Kautz et al.  
7,340,599 B2 3/2008 Naccache  
7,346,846 B2 3/2008 Rossi, Jr. et al.  
7,353,465 B2 4/2008 Callaway et al.  
7,360,170 B1 4/2008 Giormov et al.  
D569,871 S 5/2008 Anastasopoulos et al.  
7,380,214 B1 5/2008 Giormov  
D570,358 S 6/2008 Anastasopoulos et al.  
D570,367 S 6/2008 Sadler et al.  
D571,819 S 6/2008 Scott et al.  
D571,820 S 6/2008 Scott et al.

D575,296 S 8/2008 Fairfield et al.  
D577,364 S 9/2008 Flynt et al.  
D577,366 S 9/2008 Flynt et al.  
D578,133 S 10/2008 Jasinski  
D579,020 S 10/2008 Aliaga  
D582,426 S \* 12/2008 Chen et al. .... D14/488  
D585,453 S \* 1/2009 Chen et al. .... D14/485  
D589,526 S 3/2009 Taylor et al.  
D593,110 S \* 5/2009 Danton ..... D14/485  
D593,120 S \* 5/2009 Bouchard et al. .... D14/489  
D594,013 S 6/2009 Singh et al.  
D594,014 S 6/2009 Taylor et al.  
D594,015 S 6/2009 Singh et al.  
D602,037 S \* 10/2009 Nash et al. .... D14/486  
D605,657 S \* 12/2009 Danton ..... D14/487  
D607,007 S \* 12/2009 Kocmick ..... D14/489  
D614,663 S \* 4/2010 Chen et al. .... D14/492  
2004/0032420 A1 2/2004 Allen et al.  
2006/0074586 A1 4/2006 Kautz et al.  
2008/0086703 A1 4/2008 Flynt et al.

## FOREIGN PATENT DOCUMENTS

EM 000971734-0001-0002 8/2008  
EM 000975206-0001-0002 9/2008  
EM EN 000971726-0001 9/2008  
JP 1359179 4/2009  
JP 1359208 4/2009

## OTHER PUBLICATIONS

German Patent Search Report for application No. 102004059730.8, mailed Mar. 15, 2006, 3 pages.  
Screen Shots maintained by inventive team, believed to be available by Sep. 11, 2006, 25 pages.  
U.S. Appl. No. 12/549,312, filed Aug. 27, 2009, Park.  
U.S. Appl. No. 29/345,218, filed Oct. 12, 2009, Ray et al.  
U.S. Appl. No. 29/345,219, filed Oct. 12, 2009, Ray et al.  
U.S. Appl. No. 29/345,221, filed Oct. 12, 2009, Herman et al.

\* cited by examiner

